

BAITU CRYOGENIC VALVE

Cryogenic Transportation &
Storage Equipment/
LNG Filling Station



Cryogenic Valve Solutions
Worth Your Trust



Shanghai Baitu
Cryogenic Valve.Co.,Ltd.

www.baituvalves.com



Cryogenic Globe Valve

www.baituvalves.com

BAITU CRYOGENIC VALVE





Product Contents

Cryogenic Globe Valve

DJ-10~DJ-50 / DJ-15P~DJ-25P / DJ-10(G)~DJ-50(G)	15
DJ-10A~DJ-50A / DJ-15K~DJ-50K	16
DJ-10L~DJ-50L / DJ-10YL~DJ-50YL	17
DJ-25H~DJ-50H / DJ-25HY~DJ-50HY	18
DJ-10.005~DJ-50.005 / DJ-10Y.005~DJ-50Y.005	19
DJ-10AL~DJ-50AL / DJ-15KL~DJ-50KL	20
DJ-10(NPT)~DJ-40(NPT)	21
DJ-10G~DJ-50G / DJ-10GY~DJ-50GY	22
DJ-10GA~DJ-50GA / DJ-15GK~DJ-50GK	23
DJ-10GL~DJ-50GL / DJ-10GYL~DJ-50GYL	24
DJ-10NPT~DJ-40NPT	25
DJ-65~DJ-100C	26
DJ-65A1~DJ-100C1	27
DJ-65A2~DJ-100C2	28
DJ-65B~DJ-100B	29
DJ-65B1~DJ-100B1	30
DJ-65B2~DJ-100B2	31
DJ-65G~DJ-100GC	32
DJ-65G1~DJ-100GC1	33
DJ-65G2~DJ-100GC2	34
DJ-65GB~DJ-100GB	35
DJ-65.001~DJ-100.001	36
DJ-65B.001~DJ-100B.001	37
DJ-65G.001~DJ-100G.001	38
DJ-150A1	39
DJZ-32~DJ-50J	40
DJ-15F~DJ-50F / DJ-15FY~DJ-50FY	41
DJ-65F~DJ-100F	42



Cryogenic Globe Valve

DJ-15P1~DJ-25P1	43
DJ-10D1~DJ-50D1	44
DJ-10.99.xxx~DJ-50.99.xxx	45
DJ-10.99.xxx~DJ-50.99.xxx	46
DJ-10.99.xxx~DJ-50.99.xxx	47
DJ-10NPT.99.0~DJ-25NPT.99.0	48
DJ-10.99.xxx~DJ-50.99.xxx	49
DJ-10.99.xxx~DJ-50.99.xxx	50
DJ-10.99.xxx~DJ-50.99.xxx	51
DJ-10NPT.99.1~DJ-25NPT.99.1	52
DJ-25.99.118	53
DJ-10.98.xxx~DJ-50.98.xxx	54
DJ-10.98.xxx~DJ-50.98.xxx	55
DJ-10NPT.98.0~DJ-25NPT.98.0	56
DJ-10.98.xxx~DJ-50.98.xxx	57
DJ-10.98.xxx~DJ-50.98.xxx	58
DJ-10NPT.98.1~DJ-25NPT.98.1	59
DJ-10.97.xxx~DJ-50.97.xxx	60
DJ-10.97.xxx~DJ-50.97.xxx	61
DJ-10NPT.97.0~DJ-10NPT.97.0	62
DJ-15P1.97~DJ-25P1.97	63
DJ-10P.01.01~DJ-10P.01.03	64
DJ-10P.02.01~DJ-10P.02.03	65
DJ-10P.03.01~DJ-10P.03.02	66
DJ-10P.21.01~DJ-10P.21.03	67
DJ-10P.22.01~DJ-10P.22.03	68
DJ-10P.23.01~DJ-10P.23.02	69



DJ61F-40P

Cryogenic Globe Valve Long Stem

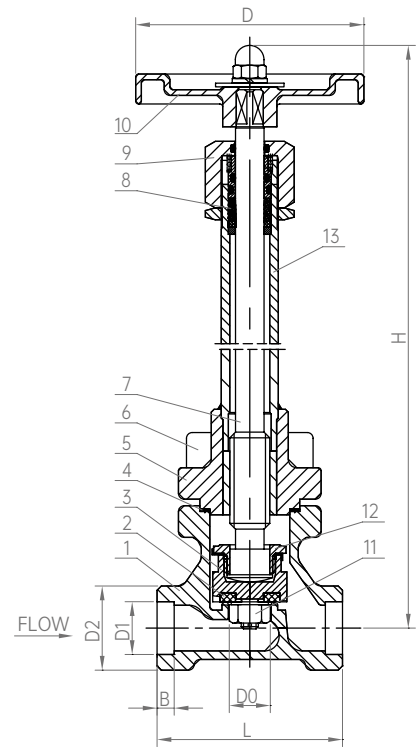
Parameters

PN: 4.0MPa
DN: Ø10~Ø50
Design Temp.: -196°C ~+80°C
Media: LNG, LO₂, LN₂, LAr, CO₂

Connection : Socket Weld



This kind of product has certified by CE, EAC, TS and CCS
Standards: GB/T 24925, EN1626:2008, TR CU 032/2013



Materials

1 Body	CF8	6 Hexagon Screw	S30408	11 Hexagon Nut	S30408
2 Disc Sealing	PCTFE	7 Stem	S30408	12 Connecting Nut	S30408
3 Disc	S30408	8 V ring	PTFE	13 Connecting Pipe	S30408
4 Gasket	RPTFE	9 Gland Nut	S30408		
5 Bonnet	S30408	10 Hand Wheel	Y102		

Model No.	Specifications & Dimensions (mm)								Weight(kg)
	H Opening	H Closing	L	D	D0	D1	D2	B	
DJ-10	210	204	60	Ø65	Ø13	Ø14.5	Ø24	6	0.9
DJ-15	253	244	65	Ø80	Ø15	Ø18.5	Ø29.5	6	1.1
DJ-20	257	246	80	Ø80	Ø20	Ø25.5	Ø36	8	1.5
DJ-25	288	274.5	90	Ø100	Ø25	Ø32.5	Ø43.5	8	2.1
DJ-32	298	283.5	105	Ø100	Ø32	Ø38.5	Ø53	8	2.8
DJ-40	365.5	348	120	Ø125	Ø40	Ø45.5	Ø62	8	4.0
DJ-50	374.5	353.5	140	Ø140	Ø50	Ø57.5	Ø72	10	5.2
DJ-15P	173	160	65	Ø80	Ø15	Ø18.5	Ø29.5	6	1.0
DJ-20P	232	221	80	Ø80	Ø20	Ø25.5	Ø36	8	1.5
DJ-25P	238	224.5	90	Ø100	Ø25	Ø32.5	Ø43.5	8	1.9
DJ-10 (G)	221	215	60	Ø65	Ø13	Ø17.8	Ø24	6	1.0
DJ-15 (G)	257	248	65	Ø80	Ø15	Ø22.2	Ø29.5	6	1.1
DJ-20 (G)	263	254	80	Ø80	Ø20	Ø27.7	Ø36	8	1.5
DJ-25 (G)	295	282	90	Ø100	Ø25	Ø34.5	Ø43.5	8	2.1
DJ-32 (G)	305.5	291	105	Ø100	Ø32	Ø43.2	Ø53	8	2.8
DJ-40 (G)	373.5	356	120	Ø125	Ø40	Ø49	Ø62	8	3.9
DJ-50 (G)	384.5	361.5	140	Ø140	Ø50	Ø61.1	Ø72	10	5.2



DJ61F-40P

Cryogenic Globe Valve Long Stem

Parameters

PN: 4.0MPa

DN: Ø10~Ø50

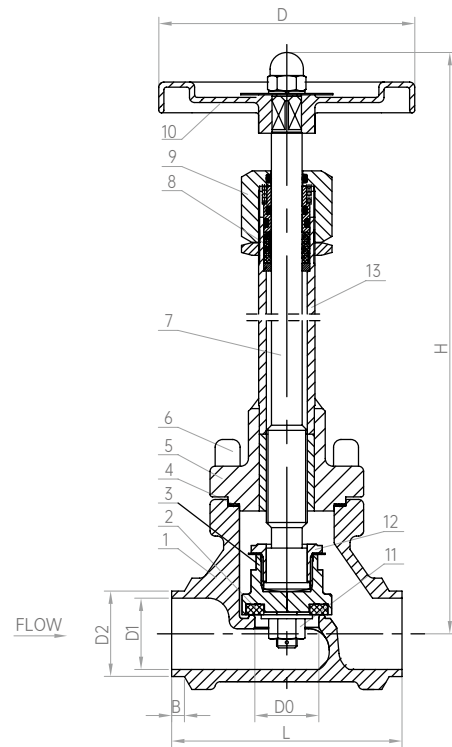
Design Temp.: -196°C ~+80°C

Media: LNG, LO₂, LN₂, LAr, CO₂

Connection : Butt Weld



This kind of product has certified by CE, EAC, TS and CCS
Standards: GB/T 24925, EN1626:2008, TR CU 032/2013



Materials

1 Body	CF8	6 Hexagon Screw	S30408	11 Hexagon Nut	S30408
2 Disc Sealing	PCTFE	7 Stem	S30408	12 Connecting Nut	S30408
3 Disc	S30408	8 V ring	PTFE	13 Connecting Pipe	S30408
4 Gasket	RPTFE	9 Gland Nut	S30408		
5 Bonnet	S30408	10 Hand Wheel	Y102		

Model No.	Specifications & Dimensions (mm)								Weight(kg)
	H Opening	H Closing	L	D	D0	D1	D2	B	
DJ-10A	221	215	60	Ø65	Ø13	Ø13	Ø17	4	1.0
DJ-15A	257	248	65	Ø80	Ø15	Ø17.08	Ø21.3	5	1.2
DJ-20A	263	254	80	Ø80	Ø20	Ø22.48	Ø26.7	5	1.4
DJ-25A	295	282	90	Ø100	Ø25	Ø27.9	Ø33.4	5	2.1
DJ-32A	305.5	291	105	Ø100	Ø32	Ø36	Ø42.2	5	2.9
DJ-40A	373.5	356	120	Ø125	Ø40	Ø43	Ø48.3	5	3.9
DJ-50A	384.5	361.5	140	Ø140	Ø50	Ø55	Ø60.3	5	5.4
DJ-15K	257	248	65	Ø80	Ø15	Ø14	Ø18	5	1.2
DJ-20K	263	254	80	Ø80	Ø20	Ø20	Ø25	5	1.5
DJ-25K	295	282	90	Ø100	Ø25	Ø27	Ø32	5	2.1
DJ-32K	305.5	291	105	Ø100	Ø32	Ø32	Ø38	5	2.9
DJ-40K	373.5	356	120	Ø125	Ø40	Ø39	Ø45	5	3.9
DJ-50K	384.5	361.5	140	Ø140	Ø50	Ø51	Ø57	5	5.4

DJ61F-63P

Cryogenic Globe Valve Long Stem

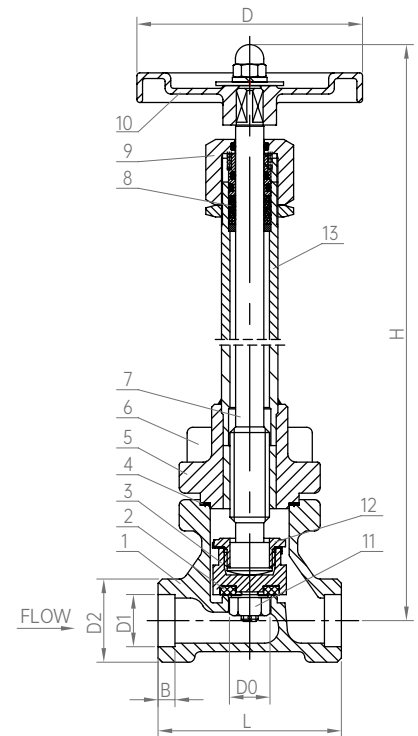
Parameters

PN: 6.3MPa
 DN: Ø10~Ø50
 Design Temp.: -196°C ~+80°C
 Media: LNG, LO₂, LN₂, LAr, CO₂

Connection : Socket Weld



This kind of product has certified by CE, EAC, TS and CCS
 Standards: GB/T 24925, EN1626:2008, TR CU 032/2013



Materials

1	Body	CF8	6	Hexagon Screw	S30408	11	Hexagon Nut	S30408
2	Disc Sealing	PCTFE	7	Stem	S30408	12	Connecting Nut	S30408
3	Disc	S30408	8	V ring	PTFE	13	Connecting Pipe	S30408
4	Gasket	RPTFE	9	Gland Nut	S30408			
5	Bonnet	S30408	10	Hand Wheel	Y102			

Model No.	Specifications & Dimensions (mm)								Weight(kg)
	H Opening	H Closing	L	D	D0	D1	D2	B	
DJ-10L	210	204	60	Ø65	Ø13	Ø14.5	Ø24	6	1.0
DJ-15L	253	244	65	Ø80	Ø15	Ø18.5	Ø29.5	6	1.2
DJ-20L	257	246	80	Ø80	Ø20	Ø25.5	Ø36	8	1.5
DJ-25L	288	274.5	90	Ø100	Ø25	Ø32.5	Ø43.5	8	2.1
DJ-32L	298	283.5	105	Ø100	Ø32	Ø38.5	Ø53	8	2.9
DJ-40L	365.5	348	120	Ø125	Ø40	Ø45.5	Ø62	8	3.9
DJ-50L	374.5	353.5	140	Ø140	Ø50	Ø57.5	Ø72	10	5.4
DJ-10YL	210	204	60	Ø65	Ø13	Ø17.8	Ø24	6	1.0
DJ-15YL	253	244	65	Ø80	Ø15	Ø22.2	Ø29.5	6	1.2
DJ-20YL	257	246	80	Ø80	Ø20	Ø27.7	Ø36	8	1.5
DJ-25YL	288	274.5	90	Ø100	Ø25	Ø34.5	Ø43.5	8	2.1
DJ-32YL	298	283.5	105	Ø100	Ø32	Ø43.2	Ø53	8	2.9
DJ-40YL	365.5	348	120	Ø125	Ø40	Ø49	Ø62	8	3.9
DJ-50YL	374.5	353.5	140	Ø140	Ø50	Ø61.1	Ø72	10	5.4



DJ61F-40P

Cryogenic Globe Valve with non-return function Long Stem

Parameters

PN: 4.0MPa

DN: Ø10~Ø50

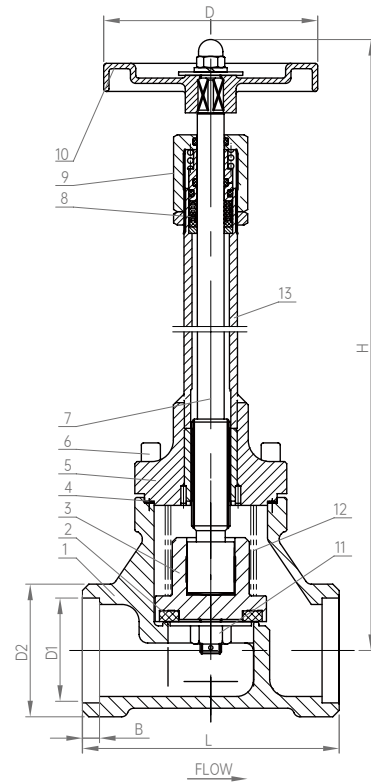
Design Temp.: -196°C ~+80°C

Media: LNG, LO₂, LN₂, LAr, CO₂

Connection : Socket Weld



This kind of product has certified by CE, EAC, TS and CCS
Standards: GB/T 24925, EN1626:2008, TR CU 032/2013



Materials

1	Body	CF8	6	Hexagon Screw	S30408	11	Hexagon Nut	S30408
2	Disc Sealing	PCTFE	7	Stem	S30408	12	Spring	S30210
3	Disc	S30408	8	V ring	PTFE	13	Connecting Pipe	S30408
4	Gasket	RPTFE	9	Gland Nut	S30408			
5	Bonnet	S30408	10	Hand Wheel	Y102			

Model No.	Specifications & Dimensions (mm)								Weight(kg)
	H Opening	H Closing	L	D	D0	D1	D2	B	
DJ-25H	295	282	90	Ø100	Ø25	Ø32.5	Ø43.5	8	2.0
DJ-40H	373.5	356	120	Ø125	Ø40	Ø45.5	Ø62	8	4.0
DJ-50H	384.5	361.5	140	Ø140	Ø50	Ø57.5	Ø72	10	5.6
DJ-25HY	295	282	90	Ø100	Ø25	Ø34.5	Ø43.5	8	2.0
DJ-40HY	373.5	356	120	Ø125	Ø40	Ø49	Ø62	8	4.0
DJ-50HY	384.5	361.5	140	Ø140	Ø50	Ø61.1	Ø72	10	5.6

DJ61F-40P

Cryogenic Globe Valve Long Stem

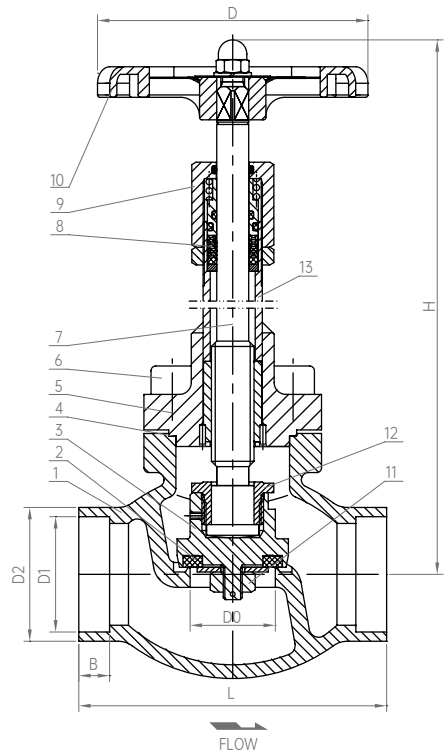
Parameters

PN: 4.0MPa
DN: Ø10~Ø50
Design Temp.: -196°C ~+80°C
Media: LNG, LO₂, LN₂, LAr, CO₂

Connection : Socket Weld



This kind of product has certified by CE, EAC, TS and CCS
Standards: GB/T 24925, EN1626:2008, TR CU 032/2013



Materials

1	Body	CF8	6	Hexagon Screw	S30408	11	Hexagon Nut	S31608
2	Disc Sealing	PCTFE	7	Stem	S31608	12	Connecting Nut	S30408
3	Disc	S31608	8	V ring	PTFE	13	Connecting Pipe	S31608
4	Gasket	RPTFE	9	Gland Nut	S31608			
5	Bonnet	S31608	10	Hand Wheel	Y102			

Model No.	Specifications & Dimensions (mm)								Weight(kg)
	H Opening	H Closing	L	D	D0	D1	D2	B	
DJ-10.005	275.5	266	70	Ø80	Ø12	Ø14.5	Ø24	6	
DJ-15.005	275.5	266	85	Ø80	Ø15	Ø18.5	Ø30	10	
DJ-20.005	280	270	100	Ø125	Ø20	Ø25.5	Ø35.5	13	
DJ-25.005	281.5	270	115	Ø125	Ø25	Ø32.5	Ø42	13	
DJ-40.005	277	260	130	Ø125	Ø36	Ø45.5	Ø56.5	13	
DJ-50.005	278	266	155	Ø125	Ø45	Ø57.5	Ø70	16	
DJ-10Y.005	275.5	266	70	Ø80	Ø12	Ø17.8	Ø24	6	
DJ-15Y.005	275.5	266	85	Ø80	Ø15	Ø22.2	Ø30	10	
DJ-20Y.005	280	270	100	Ø125	Ø20	Ø27.7	Ø35.5	13	
DJ-25Y.005	281.5	270	115	Ø125	Ø25	Ø34.5	Ø42	13	
DJ-40Y.005	277	260	130	Ø125	Ø36	Ø49	Ø56.5	13	
DJ-50Y.005	278	266	155	Ø125	Ø45	Ø61.1	Ø70	16	



DJ61F-63P

Cryogenic Globe Valve Long Stem

Parameters

PN: 6.3MPa

DN: Ø10~Ø50

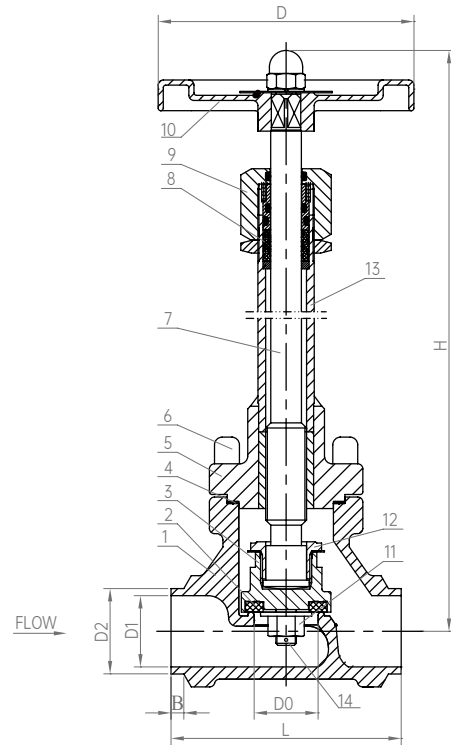
Design Temp.: -196°C ~+80°C

Media: LNG, LO₂, LN₂, LAr, CO₂

Connection : Butt Weld



This kind of product has certified by CE, EAC, TS and CCS
Standards: GB/T 24925, EN1626:2008, TR CU 032/2013



Materials

1 Body	CF8	6 Hexagon Screw	S30408	11 Hexagon Nut	S30408
2 Disc Sealing	PCTFE	7 Stem	S30408	12 Connecting Nut	S30408
3 Disc	S30408	8 V ring	PTFE	13 Connecting Pipe	S30408
4 Gasket	RPTFE	9 Gland Nut	S30408		
5 Bonnet	S30408	10 Hand Wheel	Y102		

Model No.	Specifications & Dimensions (mm)								Weight(kg)
	H Opening	H Closing	L	D	D0	D1	D2	B	
DJ-10AL	221	215	60	Ø65	Ø13	Ø13	Ø17	4	
DJ-15AL	257	248	65	Ø80	Ø15	Ø17.08	Ø21.3	5	
DJ-20AL	263	254	80	Ø80	Ø20	Ø22.48	Ø26.7	5	
DJ-25AL	295	282	90	Ø100	Ø25	Ø27.9	Ø33.4	5	
DJ-32AL	305.5	291	105	Ø100	Ø32	Ø36	Ø42.2	5	
DJ-40AL	373.5	356	120	Ø125	Ø40	Ø43	Ø48.3	5	
DJ-50AL	384.5	361.5	140	Ø140	Ø50	Ø55	Ø60.3	5	
DJ-15KL	257	248	65	Ø80	Ø15	Ø14	Ø18	5	
DJ-20KL	263	254	80	Ø80	Ø20	Ø20	Ø25	5	
DJ-25KL	295	282	90	Ø100	Ø25	Ø27	Ø32	5	
DJ-32KL	305.5	291	105	Ø100	Ø32	Ø32	Ø38	5	
DJ-40KL	373.5	356	120	Ø125	Ø40	Ø39	Ø45	5	
DJ-50KL	384.5	361.5	140	Ø140	Ø50	Ø51	Ø57	5	

DJ61F-40P

Cryogenic Globe Valve Long Stem

Parameters

PN: 4.0MPa

DN: Ø10~Ø50

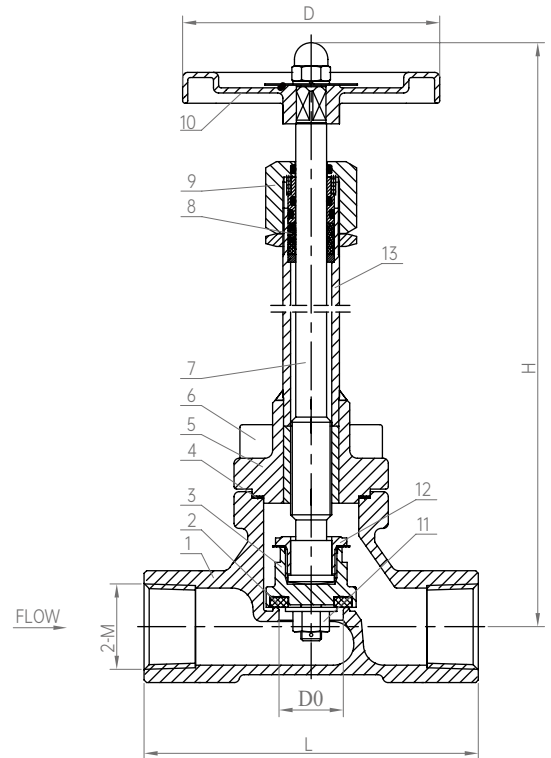
Design Temp.: -196°C ~+80°C

Media: LNG, LO₂, LN₂, LAr, CO₂

Connection : Thread Connection



This kind of product has certified by CE, EAC, TS and CCS
Standards: GB/T 24925, EN1626:2008, TR CU 032/2013



Materials

1	Body	CF8	6	Hexagon Screw	S30408	11	Hexagon Nut	S30408
2	Disc Sealing	PCTFE	7	Stem	S30408	12	Connecting Nut	S30408
3	Disc	S30408	8	V ring	PTFE	13	Connecting Pipe	S30408
4	Gasket	RPTFE	9	Gland Nut	S30408			
5	Bonnet	S30408	10	Hand Wheel	Y102			

Model No.	Specifications & Dimensions (mm)						Weight(kg)
	H Opening	H Closing	L	D	D0	M	
DJ-10(NPT)	221	215	60	Ø65	Ø13	NPT 3/8	
DJ-15(NPT)	257	248	97	Ø65	Ø15	NPT 1/2	1.4
DJ-20(NPT)	263	254	112	Ø80	Ø20	NPT 3/4	
DJ-25(NPT)	295	282	130	Ø90	Ø25	NPT 1	2.4
DJ-40(NPT)	373.5	356	176	Ø125	Ø40	NPT 1 1/2	4.7



DJ61F-40P

Cryogenic Globe Valve Short Stem

Parameters

PN: 4.0MPa

DN: Ø10~Ø50

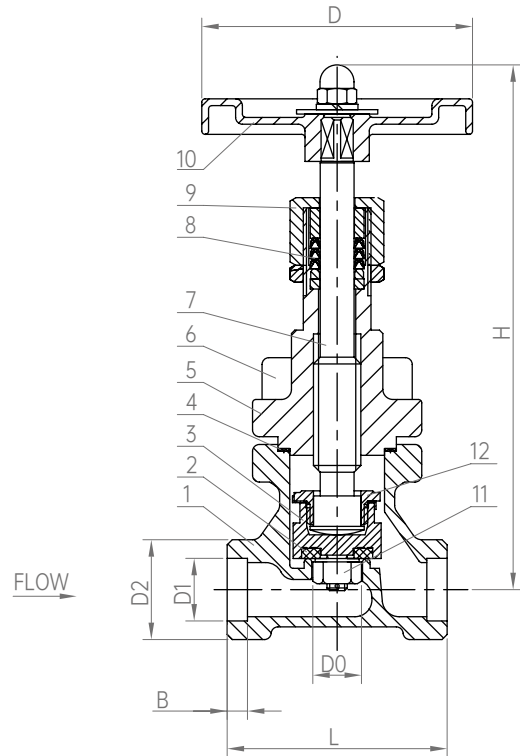
Design Temp.: -40°C ~+80°C

Media: NG, O₂, N₂, Ar, CO₂

Connection : Socket Weld



This kind of product has certified by CE, EAC, TS and CCS
Standards: GB/T 24925, EN1626:2008, TR CU 032/2013



Materials

1	Body	CF8	6	Hexagon Screw	S30408	11	Hexagon Nut	S30408
2	Disc Sealing	PTFE	7	Stem	S30408	12	Connecting Nut	S30408
3	Disc	S30408	8	V ring	PTFE	13	Connecting Pipe	S30408
4	Gasket	RPTFE	9	Gland Nut	S30408			
5	Bonnet	S30408	10	Hand Wheel	Y102			

Model No.	Specifications & Dimensions (mm)								Weight(kg)
	H Opening	H Closing	L	D	D0	D1	D2	B	
DJ-10G	120	114	60	Ø65	Ø13	Ø14.5	Ø24	6	0.8
DJ-15G	146	137	65	Ø80	Ø15	Ø18.5	Ø29.5	6	1.0
DJ-20G	150	139	80	Ø80	Ø20	Ø25.5	Ø36	8	1.4
DJ-25G	173	159.5	90	Ø100	Ø25	Ø32.5	Ø43.5	8	1.8
DJ-32G	183	168.5	105	Ø100	Ø32	Ø38.5	Ø53	8	2.5
DJ-40G	222.5	205	120	Ø125	Ø40	Ø45.5	Ø62	8	3.6
DJ-50G	231.5	210.5	140	Ø140	Ø50	Ø57.5	Ø72	10	5.0
DJ-10GY	120	114	60	Ø65	Ø13	Ø17.8	Ø24	6	0.8
DJ-15GY	146	137	65	Ø80	Ø15	Ø22.2	Ø29.5	6	1.0
DJ-20GY	150	139	80	Ø80	Ø20	Ø27.7	Ø36	8	1.4
DJ-25GY	173	159.5	90	Ø100	Ø25	Ø34.5	Ø43.5	8	1.9
DJ-32GY	183	168.5	105	Ø100	Ø32	Ø43.2	Ø53	8	2.5
DJ-40GY	222.5	205	120	Ø125	Ø40	Ø49	Ø62	8	3.4
DJ-50GY	231.5	210.5	140	Ø140	Ø50	Ø61.1	Ø72	10	5.0

DJ61F-40P

Cryogenic Globe Valve Short Stem

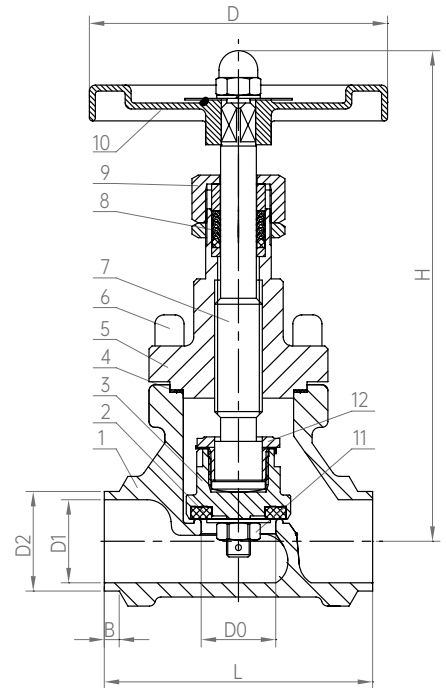
Parameters

PN: 4.0MPa
DN: Ø10~Ø50
Design Temp.: -40°C ~+80°C
Media: NG. O₂. N₂. Ar. CO₂

Connection : Butt Weld



This kind of product has certified by CE, EAC, TS and CCS
Standards: GB/T 24925, EN1626:2008, TR CU 032/2013



Materials

1	Body	CF8	6	Hexagon Screw	S30408	11	Hexagon Nut	S30408
2	Disc Sealing	PTFE	7	Stem	S30408	12	Connecting Nut	S30408
3	Disc	S30408	8	V ring	PTFE	13	Connecting Pipe	S30408
4	Gasket	RPTFE	9	Gland Nut	S30408			
5	Bonnet	S30408	10	Hand Wheel	Y102			

Model No.	Specifications & Dimensions (mm)								Weight(kg)
	H Opening	H Closing	L	D	D0	D1	D2	B	
DJ-10GA	120	114	60	Ø65	Ø13	Ø13	Ø17	4	0.8
DJ-15GA	146	137	65	Ø80	Ø15	Ø17.08	Ø21.3	5	1.0
DJ-20GA	150	139	80	Ø80	Ø20	Ø22.48	Ø26.7	5	1.4
DJ-25GA	173	159.5	90	Ø100	Ø25	Ø27.9	Ø33.4	5	1.8
DJ-32GA	183	168.5	105	Ø100	Ø32	Ø36	Ø42.2	5	2.5
DJ-40GA	222.5	205	120	Ø125	Ø40	Ø43	Ø48.3	5	3.6
DJ-50GA	231.5	210.5	140	Ø140	Ø50	Ø55	Ø60.3	5	5.0
DJ-15GK	146	137	65	Ø80	Ø15	Ø14	Ø18	5	1.0
DJ-20GK	150	139	80	Ø80	Ø20	Ø20	Ø25	5	1.4
DJ-25GK	173	159.5	90	Ø100	Ø25	Ø27	Ø32	5	1.9
DJ-32GK	183	168.5	105	Ø100	Ø32	Ø32	Ø38	5	2.5
DJ-40GK	222.5	205	120	Ø125	Ø40	Ø39	Ø45	5	3.4
DJ-50GK	231.5	210.5	140	Ø140	Ø50	Ø51	Ø57	5	5.0



DJ61F-63P

Cryogenic Globe Valve Short Stem

Parameters

PN: 6.3MPa

DN: Ø10~Ø50

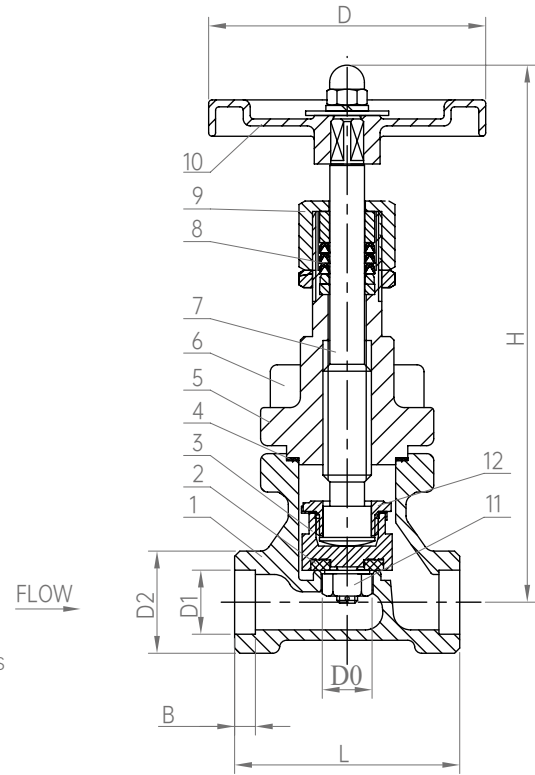
Design Temp.: -40°C ~+80°C

Media: NG. O₂. N₂. Ar. CO₂

Connection : Socket Weld



This kind of product has certified by CE, EAC, TS and CCS
Standards: GB/T 24925, EN1626:2008, TR CU 032/2013



Materials

1 Body	CF8	6 Hexagon Screw	S30408	11 Hexagon Nut	S30408
2 Disc Sealing	PTFE	7 Stem	S30408	12 Connecting Nut	S30408
3 Disc	S30408	8 V ring	PTFE	13 Connecting Pipe	S30408
4 Gasket	RPTFE	9 Gland Nut	S30408		
5 Bonnet	S30408	10 Hand Wheel	Y102		

Model No.	Specifications & Dimensions (mm)								Weight(kg)
	H Opening	H Closing	L	D	D0	D1	D2	B	
DJ-10GL	131	125	60	Ø65	Ø13	Ø14.5	Ø24	6	
DJ-15GL	150	141	65	Ø80	Ø15	Ø18.5	Ø29.5	6	
DJ-20GL	158	147	80	Ø80	Ø20	Ø25.5	Ø36	8	
DJ-25GL	180	167	90	Ø100	Ø25	Ø32.5	Ø43.5	8	
DJ-32GL	190	176	105	Ø100	Ø32	Ø38.5	Ø53	8	
DJ-40GL	230.5	213	120	Ø125	Ø40	Ø45.5	Ø62	8	
DJ-50GL	241.5	218.5	140	Ø140	Ø50	Ø57.5	Ø72	10	
DJ-10GYL	210	204	60	Ø65	Ø13	Ø17.8	Ø24	6	
DJ-15GYL	253	244	65	Ø80	Ø15	Ø22.2	Ø29.5	6	
DJ-20GYL	257	246	80	Ø80	Ø20	Ø27.7	Ø36	8	
DJ-25GYL	288	274.5	90	Ø100	Ø25	Ø34.5	Ø43.5	8	
DJ-32GYL	298	283.5	105	Ø100	Ø32	Ø43.2	Ø53	8	
DJ-40GYL	365.5	348	120	Ø125	Ø40	Ø49	Ø62	8	
DJ-50GYL	374.5	353.5	140	Ø140	Ø50	Ø61.1	Ø72	10	

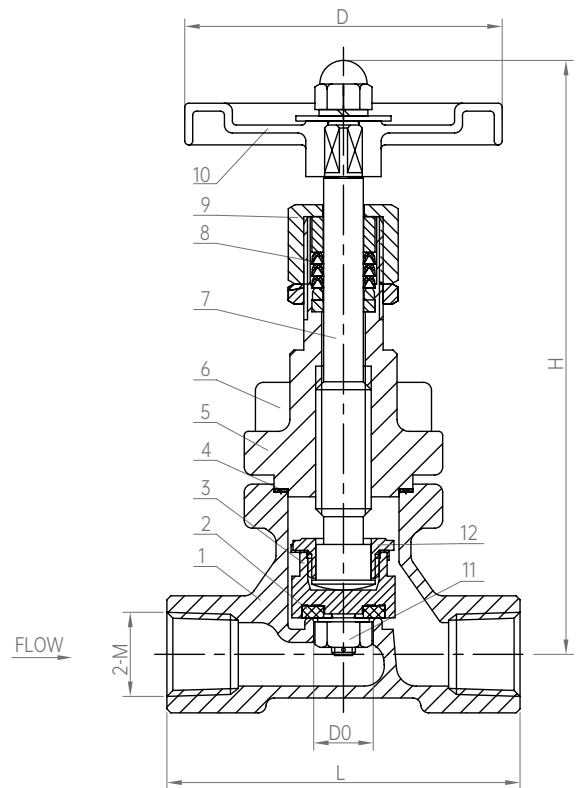
DJ61F-40P

Cryogenic Globe Valve Short Stem

Parameters

PN: 4.0MPa
DN: Ø10~Ø50
Design Temp.: -40°C ~+80°C
Media: NG, O₂, N₂, Ar, CO₂

Connection : Thread Connection



This kind of product has certified by CE, EAC, TS and CCS
Standards: GB/T 24925, EN1626:2008, TR CU 032/2013

Materials

1	Body	CF8	6	Hexagon Screw	S30408	11	Hexagon Nut	S30408
2	Disc Sealing	PTFE	7	Stem	S30408	12	Connecting Nut	S30408
3	Disc	S30408	8	V ring	PTFE	13	Connecting Pipe	S30408
4	Gasket	RPTFE	9	Gland Nut	S30408			
5	Bonnet	S30408	10	Hand Wheel	Y102			

Model No.	Specifications & Dimensions (mm)						Weight(kg)
	H Opening	H Closing	L	D	D0	M	
DJ-10NPT	131	125	60	Ø65	Ø13	NPT 3/8	
DJ-15NPT	150	141	97	Ø65	Ø15	NPT 1/2	1.1
DJ-20NPT	158	147	112	Ø80	Ø20	NPT 3/4	
DJ-25NPT	180	167	130	Ø90	Ø25	NPT 1	2.1
DJ-40NPT	230.5	213	176	Ø125	Ø40	NPT 1 1/2	4.3



DJ61F-20P

Cryogenic Globe Valve Long Stem

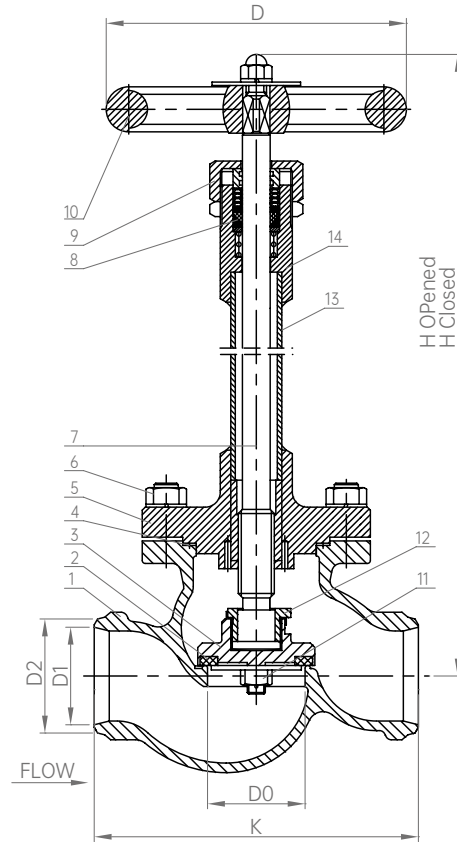
Parameters

PN: 2.0MPa
DN: Ø65~Ø100
Design Temp.: -196°C ~+80°C
Media: LNG, LO₂, LN₂, LAr, CO₂

Connection : Butt Weld



This kind of product has certified by CE, EAC, TS and CCS
Standards: GB/T 24925, EN1626:2008, TR CU 032/2013



Materials

1 Body	CF8	6 Hexagon Screw	S30408	11 Hexagon Nut	S30408
2 Disc Sealing	PCTFE	7 Stem	S30408	12 Connecting Nut	S30408
3 Disc	S30408	8 V ring	PTFE	13 Connecting Pipe	S30408
4 Gasket	RPTFE	9 Gland Nut	S30408	14 Gland Packings	S30408
5 Bonnet	S30408	10 Hand Wheel	HT200		

Model No.	Specifications & Dimensions (mm)							Weight(kg)
	H Opened	H Closed	L	D	D0	D1	D2	
DJ-65	520	495	216	Ø200	Ø65	Ø70	Ø76	15.4
DJ-80	549	522	241	Ø250	Ø80	Ø81	Ø89	22.8
DJ-100	634	601	292	Ø315	Ø100	Ø100	Ø108	31.8
DJ-100C	634	601	275	Ø315	Ø100	Ø106.3	Ø114.3	31.8

DJ61F-40P

Cryogenic Globe Valve Long Stem

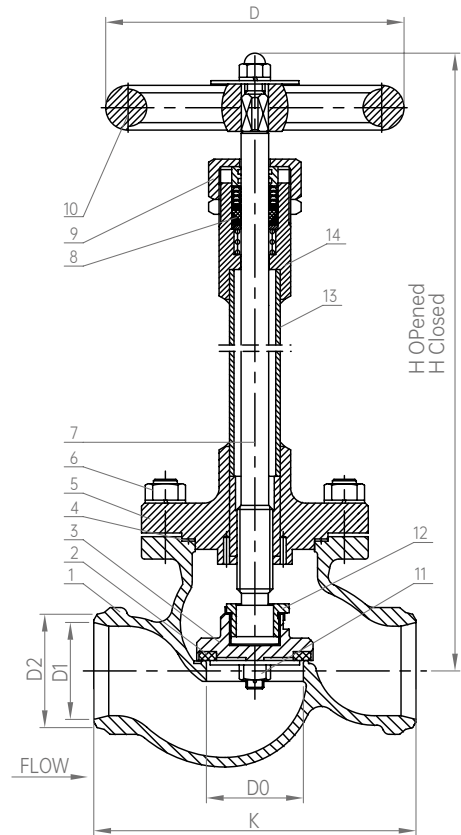
Parameters

PN: 4.0MPa
DN: Ø65~Ø100
Design Temp.: -196°C ~+80°C
Media: LNG, LO₂, LN₂, LAr, CO₂

Connection : Butt Weld



This kind of product has certified by CE, EAC, TS and CCS
Standards: GB/T 24925, EN1626:2008, TR CU 032/2013



Materials

1	Body	CF8	6	Hexagon Screw	S30408	11	Hexagon Nut	S30408
2	Disc Sealing	PCTFE	7	Stem	S30408	12	Connecting Nut	S30408
3	Disc	S30408	8	V ring	PTFE	13	Connecting Pipe	S30408
4	Gasket	RPTFE	9	Gland Nut	S30408	14	Gland Packings	S30408
5	Bonnet	S30408	10	Hand Wheel	HT200			

Model No.	Specifications & Dimensions (mm)							Weight(kg)
	H Opened	H Closed	L	D	D0	D1	D2	
DJ-65A1	520	495	216	Ø200	Ø65	Ø70	Ø76	15.4
DJ-80A1	549	522	241	Ø250	Ø80	Ø81	Ø89	22.8
DJ-100A1	634	601	292	Ø315	Ø100	Ø100	Ø108	31.8
DJ-100C1	634	601	275	Ø315	Ø100	Ø106.3	Ø114.3	31.8



DJ61F-63P

Cryogenic Globe Valve Long Stem

www.baituvalves.com

Parameters

PN: 6.3MPa

DN: Ø65~Ø100

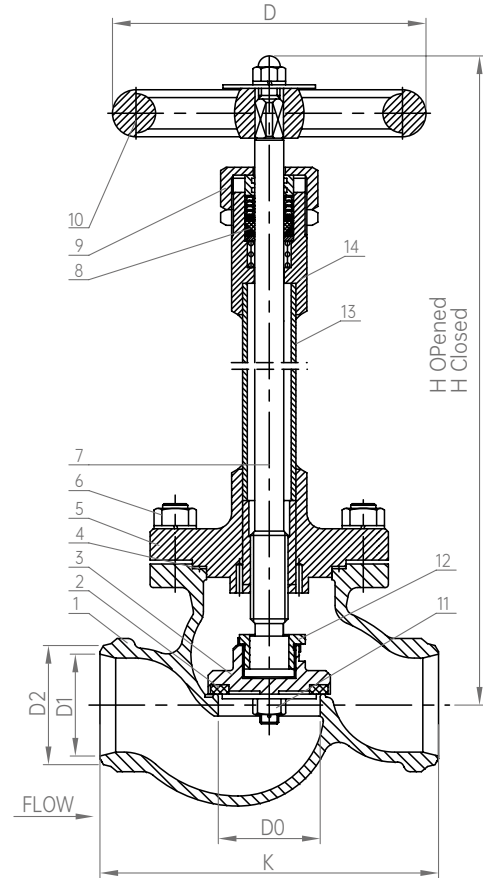
Design Temp.: -196°C ~+80°C

Media: LNG, LO₂, LN₂, LAr, CO₂

Connection : Butt Weld



This kind of product has certified by CE, EAC, TS and CCS
Standards: GB/T 24925, EN1626:2008, TR CU 032/2013



Materials

1 Body	CF8	6 Hexagon Screw	S30408	11 Hexagon Nut	S30408
2 Disc Sealing	PCTFE	7 Stem	S30408	12 Connecting Nut	S30408
3 Disc	S30408	8 V ring	PTFE	13 Connecting Pipe	S30408
4 Gasket	RPTFE	9 Gland Nut	S30408	14 Gland Packings	S30408
5 Bonnet	S30408	10 Hand Wheel	HT200		

Model No.	Specifications & Dimensions (mm)							Weight(kg)
	H Opened	H Closed	L	D	D0	D1	D2	
DJ-65A2	520	495	216	Ø200	Ø65	Ø70	Ø76	15.4
DJ-80A2	549	522	241	Ø250	Ø80	Ø81	Ø89	22.8
DJ-100A2	634	601	292	Ø315	Ø100	Ø100	Ø108	31.8
DJ-100C2	634	601	275	Ø315	Ø100	Ø106.3	Ø114.3	31.8

DJ61F-20P

Cryogenic Globe Valve Long Stem

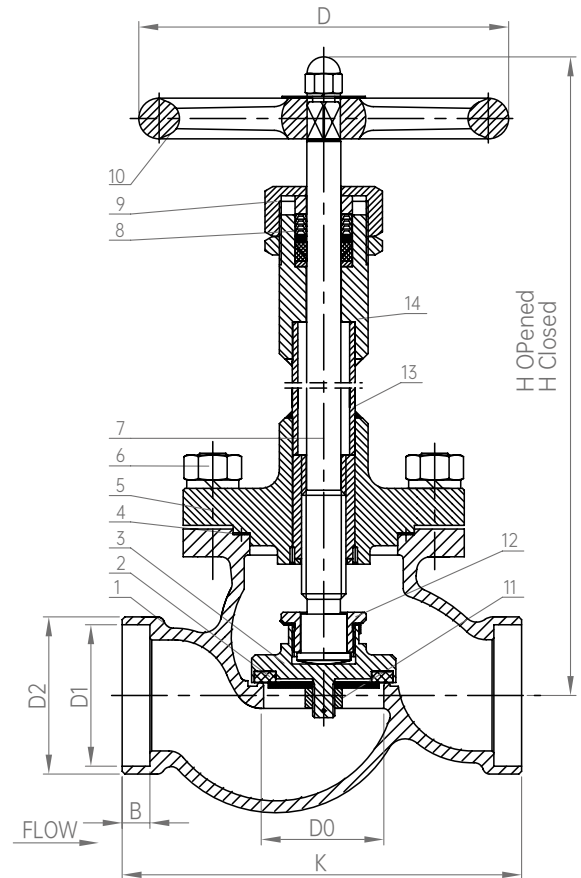
Parameters

PN: 2.0MPa
DN: Ø65~Ø100
Design Temp.: -196°C ~+80°C
Media: LNG, LO₂, LN₂, LAr, CO₂

Connection : Socket Weld



This kind of product has certified by CE, EAC, TS and CCS
Standards: GB/T 24925, EN1626:2008, TR CU 032/2013



Materials

1	Body	CF8	6	Hexagon Screw	S30408	11	Hexagon Nut	S30408
2	Disc Sealing	PCTFE	7	Stem	S30408	12	Connecting Nut	S30408
3	Disc	S30408	8	V ring	PTFE	13	Connecting Pipe	S30408
4	Gasket	RPTFE	9	Gland Nut	S30408	14	Gland Packings	S30408
5	Bonnet	S30408	10	Hand Wheel	HT200			

Model No.	Specifications & Dimensions (mm)								Weight(kg)
	H Opened	H Closed	L	D	D0	D1	D2	B	
DJ-65B	520	495	216	Ø200	Ø65	Ø76.5	Ø85	15	15.4
DJ-80B	549	522	241	Ø250	Ø80	Ø89.5	Ø103	15	22.8
DJ-100B	634	601	292	Ø315	Ø100	Ø108.5	Ø120	15	31.8



DJ61F-40P

Cryogenic Globe Valve Long Stem

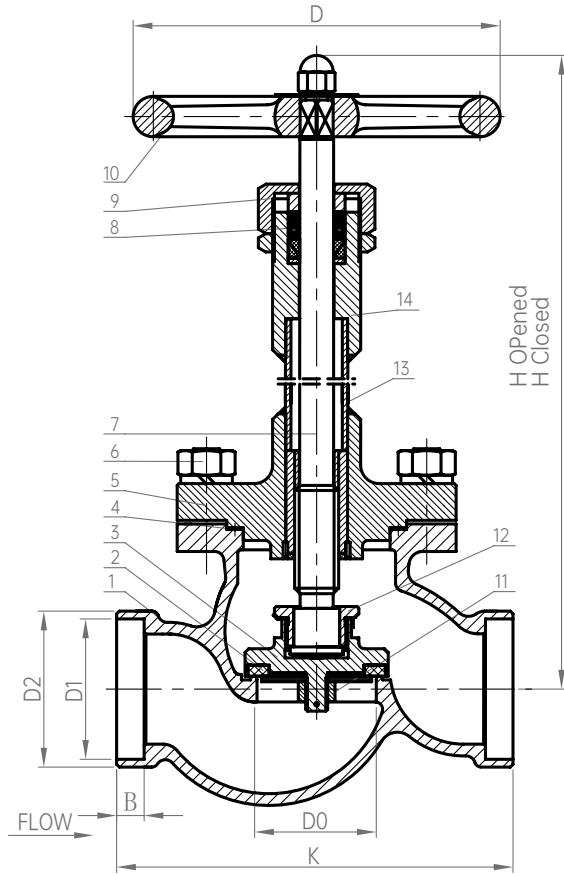
Parameters

PN: 4.0MPa
 DN: Ø65~Ø100
 Design Temp.: -196°C ~+80°C
 Media: LNG, LO₂, LN₂, LAr, CO₂

Connection : Socket Weld



This kind of product has certified by CE, EAC, TS and CCS
 Standards: GB/T 24925, EN1626:2008, TR CU 032/2013



Materials

1 Body	CF8	6 Hexagon Screw	S30408	11 Hexagon Nut	S30408
2 Disc Sealing	PCTFE	7 Stem	S30408	12 Connecting Nut	S30408
3 Disc	S30408	8 V ring	PTFE	13 Connecting Pipe	S30408
4 Gasket	RPTFE	9 Gland Nut	S30408	14 Gland Packings	S30408
5 Bonnet	S30408	10 Hand Wheel	HT200		

Model No.	Specifications & Dimensions (mm)								Weight(kg)
	H Opened	H Closed	L	D	D0	D1	D2	B	
DJ-65B1	520	495	216	Ø200	Ø65	Ø76.5	Ø85	15	15.4
DJ-80B1	549	522	241	Ø250	Ø80	Ø89.5	Ø103	15	22.8
DJ-100B1	634	601	292	Ø315	Ø100	Ø108.5	Ø120	15	31.8

DJ61F-63P

Cryogenic Globe Valve Long Stem

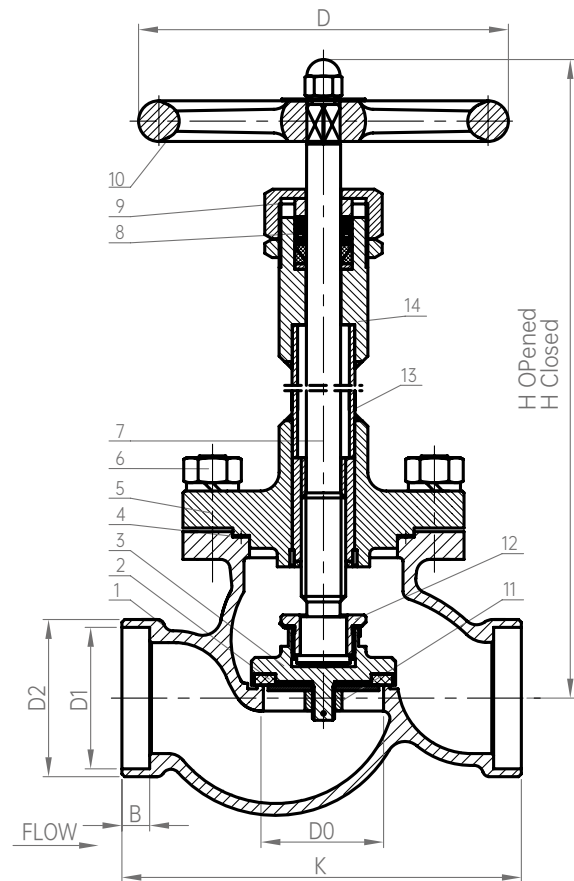
Parameters

PN: 6.3MPa
 DN: Ø65~Ø100
 Design Temp.: -196°C ~+80°C
 Media: LNG, LO₂, LN₂, LAr, CO₂

Connection : Socket Weld



This kind of product has certified by CE, EAC, TS and CCS
 Standards: GB/T 24925, EN1626:2008, TR CU 032/2013



Materials

1	Body	CF8	6	Hexagon Screw	S30408	11	Hexagon Nut	S30408
2	Disc Sealing	PCTFE	7	Stem	S30408	12	Connecting Nut	S30408
3	Disc	S30408	8	V ring	PTFE	13	Connecting Pipe	S30408
4	Gasket	RPTFE	9	Gland Nut	S30408	14	Gland Packings	S30408
5	Bonnet	S30408	10	Hand Wheel	HT200			

Model No.	Specifications & Dimensions (mm)								Weight(kg)
	H Opened	H Closed	K	D	D0	D1	D2	B	
DJ-65B2	520	495	216	Ø200	Ø65	Ø76.5	Ø85	15	15.4
DJ-80B2	549	522	241	Ø250	Ø80	Ø89.5	Ø103	15	22.8
DJ-100B2	634	601	292	Ø315	Ø100	Ø108.5	Ø120	15	31.8



DJ61F-20P

Cryogenic Globe Valve Short Stem

Parameters

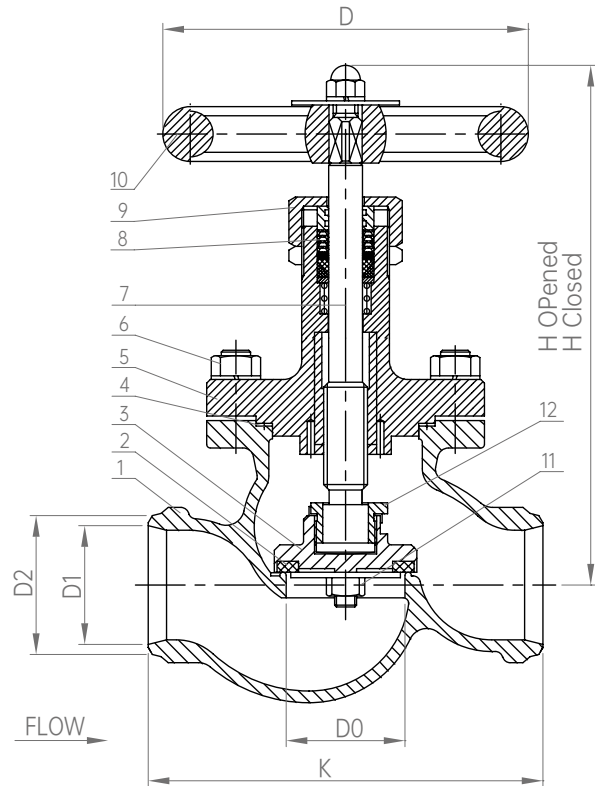
PN: 2.0MPa

DN: Ø65~Ø100

Design Temp.: -40°C ~+80°C

Media: NG. O₂. N₂. Ar. CO₂

Connection : Butt Weld



This kind of product has certified by CE, EAC, TS and CCS
Standards: GB/T 24925, EN1626:2008, TR CU 032/2013

Materials

1 Body	CF8	5 Bonnet	S30408	9 Gland Nut	S30408
2 Disc Sealing	PTFE	6 Hexagon Screw	S30408	10 Hand Wheel	HT200
3 Disc	S30408	7 Stem	S30408	11 Hexagon Nut	S30408
4 Gasket	RPTFE	8 Vring	PTFE	12 Connecting Nut	S30408

Model No.	Specifications & Dimensions (mm)							Weight(kg)
	H Opened	H Closed	K	D	D0	D1	D2	
DJ-65G	275	250	216	Ø200	Ø65	Ø70	Ø76	14
DJ-80G	316	288	241	Ø250	Ø80	Ø81	Ø89	21
DJ-100G	346	313	292	Ø315	Ø100	Ø100	Ø108	
DJ-100GC	346	313	275	Ø315	Ø100	Ø106.3	Ø114.3	

DJ61F-40P

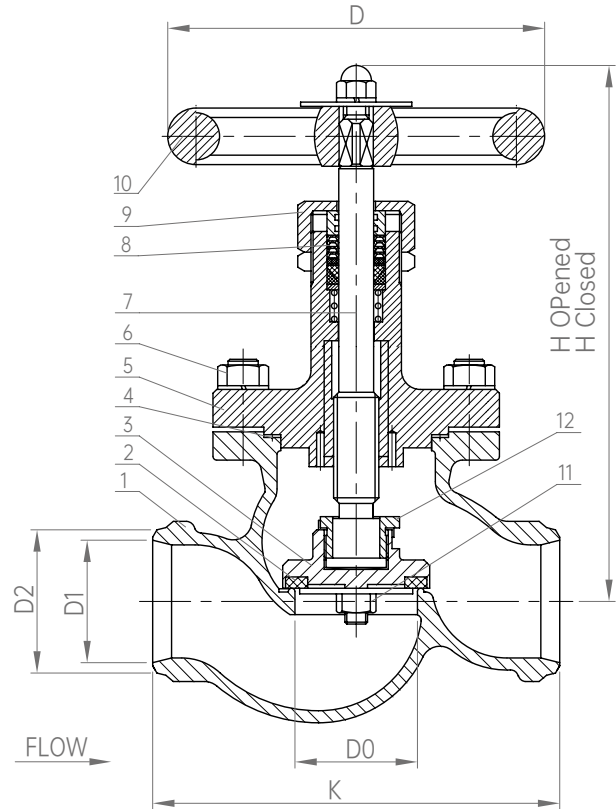
Cryogenic Globe Valve Short Stem

Parameters

PN: 4.0MPa
 DN: Ø65~Ø100
 Design Temp.: -40°C ~+80°C
 Media: NG, O₂, N₂, Ar, CO₂
 Connection : Butt Weld



This kind of product has certified by CE, EAC, TS and CCS
 Standards: GB/T 24925, EN1626:2008, TR CU 032/2013



Materials

1 Body	CF8	5 Bonnet	S30408	9 Gland Nut	S30408
2 Disc Sealing	PTFE	6 Hexagon Screw	S30408	10 Hand Wheel	HT200
3 Disc	S30408	7 Stem	S30408	11 Hexagon Nut	S30408
4 Gasket	RPTFE	8 Vring	PTFE	12 Connecting Nut	S30408

Model No.	Specifications & Dimensions (mm)							Weight(kg)
	H Opened	H Closed	K	D	D0	D1	D2	
DJ-65G1	275	250	216	Ø200	Ø65	Ø70	Ø76	14
DJ-80G1	316	288	241	Ø250	Ø80	Ø81	Ø89	21
DJ-100G1	346	313	292	Ø315	Ø100	Ø100	Ø108	
DJ-100GC1	346	313	275	Ø315	Ø100	Ø106.3	Ø114.3	



DJ61F-63P

Cryogenic Globe Valve Short Stem

Parameters

PN: 6.3MPa

DN: Ø65~Ø100

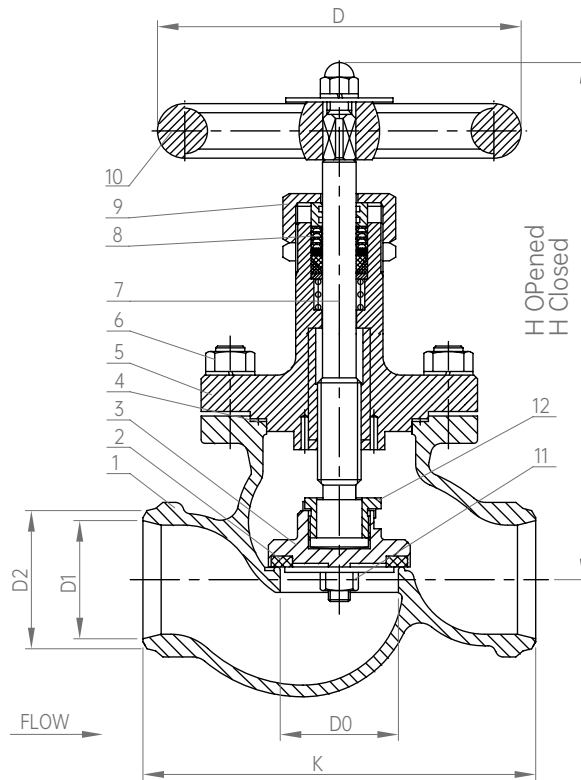
Design Temp.: -40°C ~+80°C

Media: NG. O₂. N₂. Ar. CO₂

Connection : Butt Weld



This kind of product has certified by CE, EAC, TS and CCS
Standards: GB/T 24925, EN1626:2008, TR CU 032/2013



Materials

1 Body	CF8	5 Bonnet	S30408	9 Gland Nut	S30408
2 Disc Sealing	PTFE	6 Hexagon Screw	S30408	10 Hand Wheel	HT200
3 Disc	S30408	7 Stem	S30408	11 Hexagon Nut	S30408
4 Gasket	RPTFE	8 Vring	PTFE	12 Connecting Nut	S30408

Model No.	Specifications & Dimensions (mm)							Weight(kg)
	H Opened	H Closed	K	D	D0	D1	D2	
DJ-65G2	275	250	216	Ø200	Ø65	Ø70	Ø76	14
DJ-80G2	316	288	241	Ø250	Ø80	Ø81	Ø89	21
DJ-100G2	346	313	292	Ø315	Ø100	Ø100	Ø108	
DJ-100GC2	346	313	275	Ø315	Ø100	Ø106.3	Ø114.3	

DJ61F-20P

Cryogenic Globe Valve Short Stem

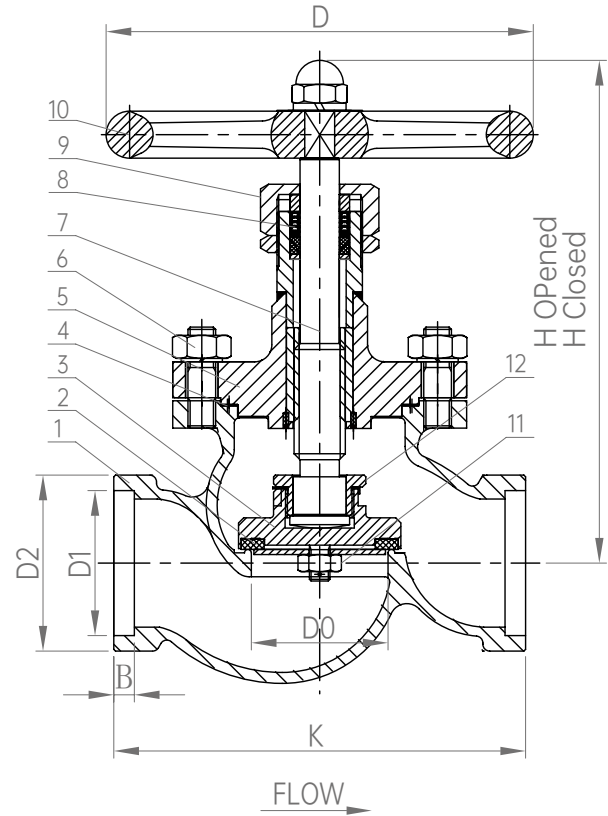
Parameters

PN: 2.0MPa
DN: Ø65~Ø100
Design Temp.: -40°C ~+80°C
Media: NG, O₂, N₂, Ar, CO₂

Connection : Socket Weld



This kind of product has certified by CE, EAC, TS and CCS
Standards: GB/T 24925, EN1626:2008, TR CU 032/2013



Materials

1	Body	CF8	5	Bonnet	S30408	9	Gland Nut	S30408
2	Disc Sealing	PTFE	6	Hexagon Screw	S30408	10	Hand Wheel	HT200
3	Disc	S30408	7	Stem	S30408	11	Hexagon Nut	S30408
4	Gasket	RPTFE	8	Vring	PTFE	12	Connecting Nut	S30408

Model No.	Specifications & Dimensions (mm)							Weight(kg)
	H Opened	H Closed	K	D	D0	D1	D2	
DJ-65GB	275	250	216	Ø200	Ø65	Ø76.5	Ø85	14
DJ-80GB	316	288	241	Ø250	Ø80	Ø89.5	Ø103	21
DJ-100GB	346	313	292	Ø315	Ø100	Ø109	Ø120	



DJ61F-20P

Cryogenic Globe Valve Long Stem

Parameters

PN: 2.0MPa

DN: Ø65~Ø100

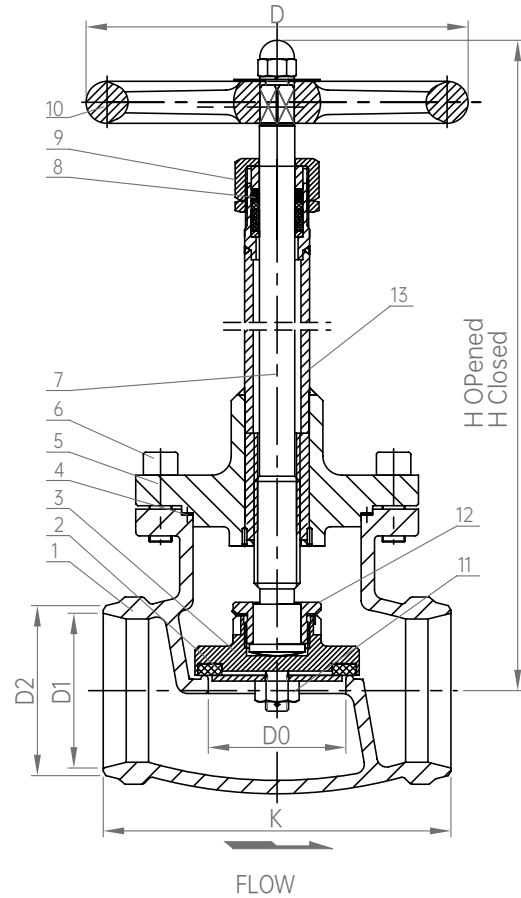
Design Temp.: -196°C ~+80°C

Media: LNG, LO₂, LN₂, LAr, CO₂

Connection : Butt Weld



This kind of product has certified by CE, EAC, TS and CCS
Standards: GB/T 24925, EN1626:2008, TR CU 032/2013



Materials

1	Body	CF8	6	Hexagon Screw	S30408	10	Hand Wheel	Y102/HT200
2	Disc Sealing	PFA	7	Stem	S30408	11	Hexagon Nut	S30408
3	Disc	S30408	8	V ring	PTFE	12	Connecting Nut	S30408
4	Gasket	RPTFE	9	Gland Nut	S30408	13	Connecting Pipe	S30408
5	Bonnet	S30408						

Model No.	Specifications & Dimensions (mm)							Weight(kg)
	H Opened	H Closed	K	D	D0	D1	D2	
DJ-65.001	410	388	150	Ø140	Ø58	Ø70	Ø76	15.4
DJ-80.001	530	500	182	Ø200	Ø72	Ø81	Ø89	22.8
DJ-100.001	568	528	226	Ø250	Ø90	Ø100	Ø108	31.8

DJ61F-20P

Cryogenic Globe Valve Long Stem

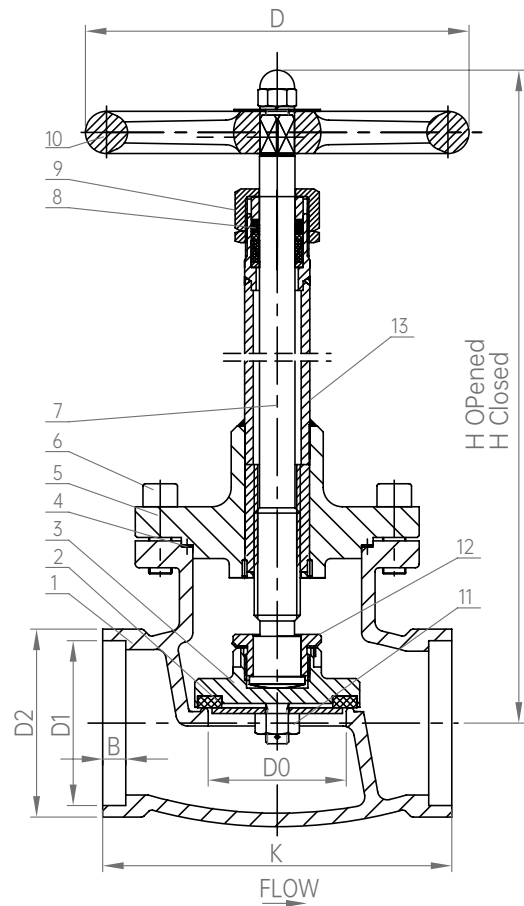
Parameters

PN: 2.0MPa
 DN: Ø65~Ø100
 Design Temp.: -196°C ~+80°C
 Media: LNG. LO₂. LN₂. LAr. CO₂

Connection : Socket Weld



This kind of product has certified by CE, EAC, TS and CCS
 Standards: GB/T 24925, EN1626:2008, TR CU 032/2013



Materials

1	Body	CF8	6	Hexagon Screw	S30408	10	Hand Wheel	Y102/HT200
2	Disc Sealing	PFA	7	Stem	S30408	11	Hexagon Nut	S30408
3	Disc	S30408	8	V ring	PTFE	12	Connecting Nut	S30408
4	Gasket	RPTFE	9	Gland Nut	S30408	13	Connecting Pipe	S30408
5	Bonnet	S30408						

Model No.	Specifications & Dimensions (mm)								Weight(kg)
	H Opened	H Closed	K	D	D0	D1	D2	B	
DJ-65B.001	410	388	150	Ø140	Ø58	Ø76.5	Ø85	7	15.4
DJ-80B.001	530	500	182	Ø200	Ø72	Ø89.5	Ø98	10	22.8
DJ-100B.001	568	528	226	Ø250	Ø90	Ø108.5	Ø120	10	31.8



DJ61F-20P

Cryogenic Globe Valve Short Stem

Parameters

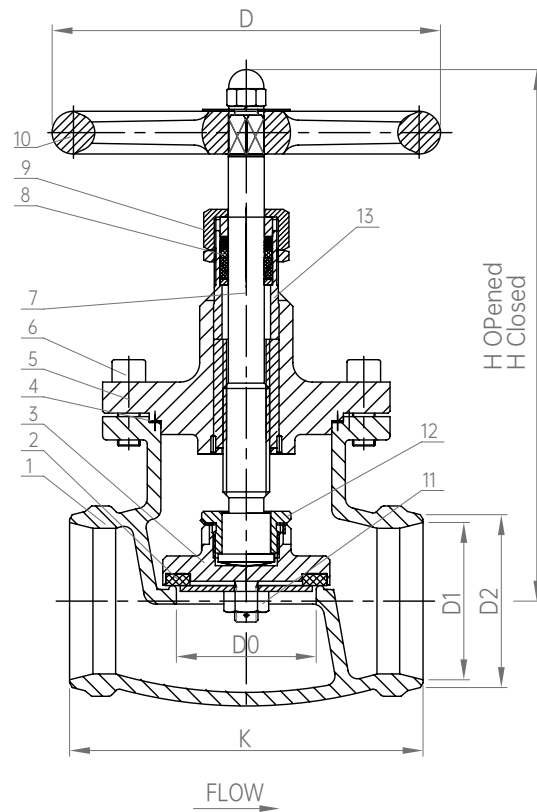
PN: 2.0MPa

DN: Ø65~Ø100

Design Temp.: -40°C ~+80°C

Media: NG. O₂. N₂. Ar. CO₂

Connection : Butt Weld



This kind of product has certified by CE, EAC, TS and CCS
Standards: GB/T 24925, EN1626:2008, TR CU 032/2013

Materials

1 Body	CF8	6 Hexagon Screw	S30408	10 Hand Wheel	Y102/HT200
2 Disc Sealing	PFA	7 Stem	S30408	11 Hexagon Nut	S30408
3 Disc	S30408	8 V ring	PTFE	12 Connecting Nut	S30408
4 Gasket	RPTFE	9 Gland Nut	S30408	13 Connecting Pipe	S30408
5 Bonnet	S30408				

Model No.	Specifications & Dimensions (mm)							Weight(kg)
	H Opened	H Closed	K	D	D0	D1	D2	
DJ-65G.001	256	234	150	Ø140	Ø58	Ø70	Ø76	14
DJ-80G.001	303.5	273.9	182	Ø200	Ø72	Ø81	Ø89	21
DJ-100G.001	334	294.4	226	Ø250	Ø90	Ø100	Ø108	

DJ61F-40P

Cryogenic Globe Valve Long Stem

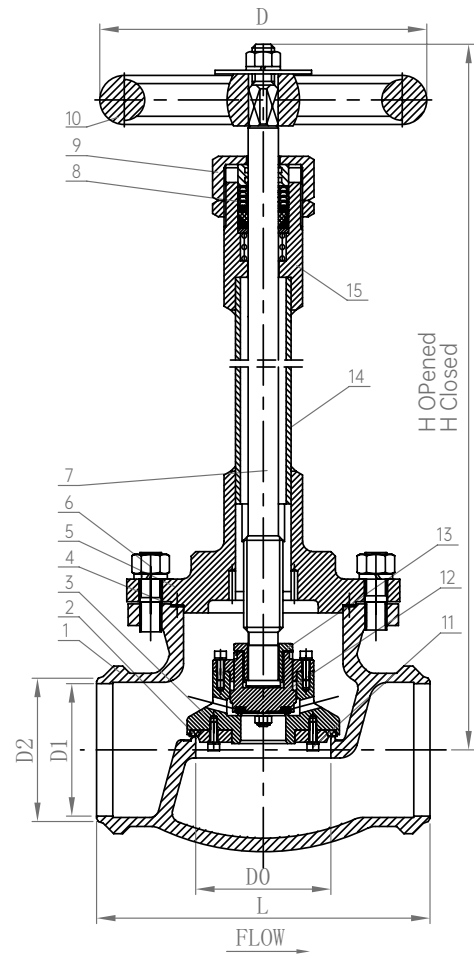
Parameters

PN: 4.0MPa
DN: Ø150
Design Temp.: -196°C ~+80°C
Media: LNG. LO₂. LN₂. LAr. CO₂

Connection : Butt Weld



This kind of product has certified by CE, EAC, TS and CCS
Standards: GB/T 24925, EN1626:2008, TR CU 032/2013



Materials

1	Body	CF8	6	Nut	S30408	11	Screw	S30408
2	Disc Sealing	PCTFE	7	Stem	S30408	12	Pilot Disc	S30408
3	Disc	S30408	8	V ring	PTFE	13	Connecting Nut	S30408
4	Gasket	RPTFE	9	Gland Nut	S30408	14	Connecting Pipe	S30408
5	Bonnet	S30408	10	Hand Wheel	HT200	15	Gland Packings	S30408

Model No.	Specifications & Dimensions (mm)							Weight(kg)
	H Opened	H Closed	L	D	D0	D1	D2	
DJ-150A1	710	670	379	Ø315	Ø150	Ø147	Ø159	78



DJ61F-40P

Cryogenic Globe Valve Angle Type Long Stem

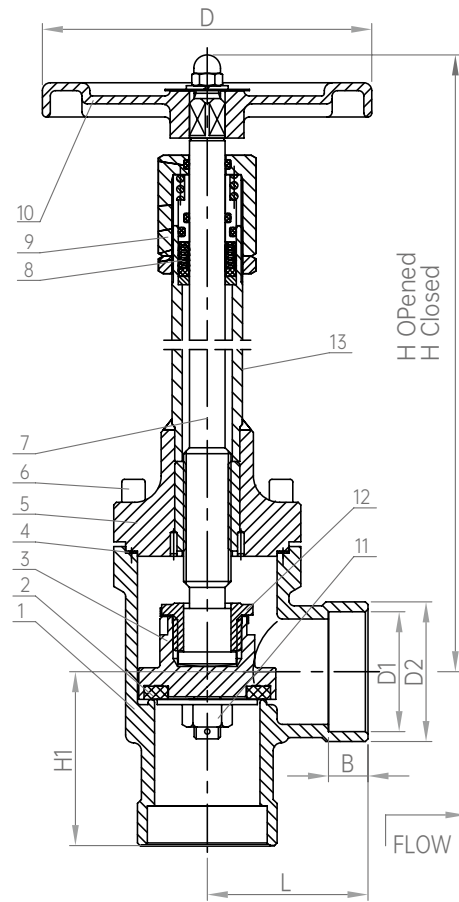
Parameters

PN: 4.0MPa
DN: Ø32~Ø50
Design Temp.: -196°C ~+80°C
Media: LNG, LO₂, LN₂, LAr, CO₂

Connection : Socket Weld



This kind of product has certified by CE, EAC, TS and CCS
Standards: GB/T 24925, EN1626:2008, TR CU 032/2013



Materials

1	Body	CF8	6	Hexagon Screw	S30408	10	Hand Wheel	Y102
2	Disc Sealing	PCTFE	7	Stem	S30408	11	Hexagon Nut	S30408
3	Disc	S30408	8	V ring	PTFE	12	Connecting Nut	S30408
4	Gasket	RPTFE	9	Gland Nut	S30408	13	Connecting Pipe	S30408
5	Bonnet	S30408						

Model No.	Specifications & Dimensions (mm)								Weight(kg)
	H Opened	H Closed	H1	L	D	D1	D2	B	
DJZ-32	342	325	81	76	Ø125	Ø38.5	Ø52	8	3.5
DJZ-40	342	325	66	61	Ø125	Ø45.5	Ø53	15	3.3
DJ-50J	378.5	345.5	70	70	Ø140	Ø57.5	Ø72	15	

DJ41F-40P

Cryogenic Globe Valve Long Stem

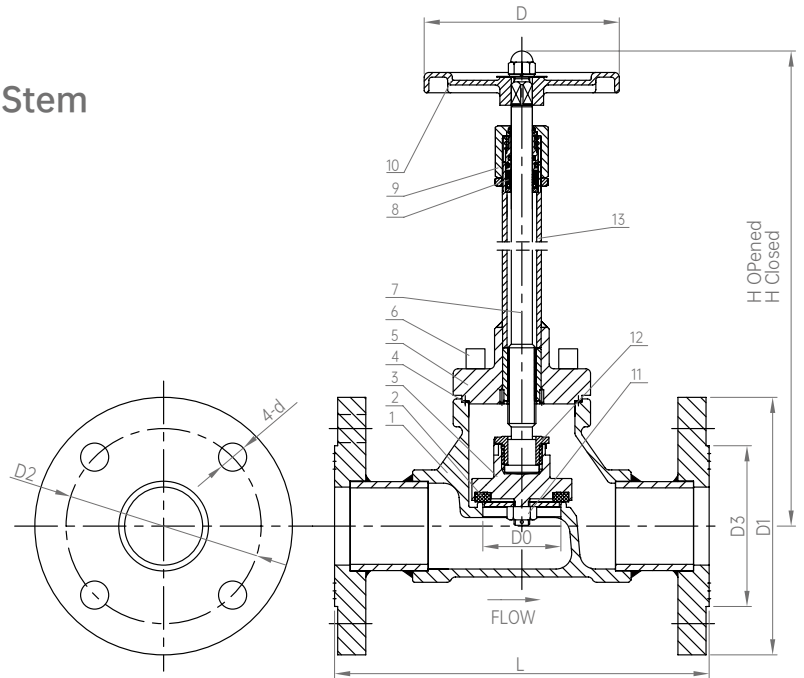
Parameters

PN: 4.0MPa
DN: Ø15~Ø50
Design Temp.: -196°C ~+80°C
Media: LNG, LO₂, LN₂, LAr, CO₂

Connection :
Flanged Connection
with PN 40 and Class 150



This kind of product has certified by CE, EAC, TS and CCS
Standards: GB/T 24925, EN1626:2008, TR CU 032/2013



Materials

1	Body	CF8	6	Hexagon Screw	S30408	10	Hand Wheel	Y102
2	Disc Sealing	PCTFE	7	Stem	S30408	11	Hexagon Nut	S30408
3	Disc	S30408	8	V ring	PTFE	12	Connecting Nut	S30408
4	Gasket	RPTFE	9	Gland Nut	S30408	13	Connecting Pipe	S30408
5	Bonnet	S30408						

Model No.	Specifications & Dimensions (mm)									Weight(kg)
	H Opened	H Closed	L	D	D0	D1	D2	D3	d	
DJ-15F	257	248	129	Ø80	Ø15	Ø95	Ø65	Ø45	Ø14	
DJ-20F	263	254	154	Ø80	Ø20	Ø105	Ø75	Ø58	Ø14	
DJ-25F	295	282	166	Ø100	Ø25	Ø115	Ø85	Ø68	Ø14	
DJ-32F	305.5	291	185	Ø100	Ø32	Ø140	Ø100	Ø78	Ø18	
DJ-40F	373.5	356	214	Ø125	Ø40	Ø150	Ø110	Ø88	Ø18	
DJ-50F	384.5	361.5	240	Ø140	Ø50	Ø165	Ø125	Ø102	Ø18	
DJ-15FY	257	248	129	Ø80	Ø15	Ø90	Ø60.3	Ø34.9	Ø16	
DJ-20FY	263	254	154	Ø80	Ø20	Ø100	Ø69.9	Ø42.9	Ø16	
DJ-25FY	295	282	166	Ø100	Ø25	Ø110	Ø79.4	Ø50.8	Ø16	
DJ-32FY	305.5	291	185	Ø100	Ø32	Ø115	Ø88.9	Ø63.5	Ø16	
DJ-40FY	373.5	356	214	Ø125	Ø40	Ø125	Ø98.4	Ø73	Ø16	
DJ-50FY	384.5	361.5	240	Ø140	Ø50	Ø150	Ø127.7	Ø92.1	Ø18	



DJ41F-40P

Cryogenic Globe Valve Long Stem

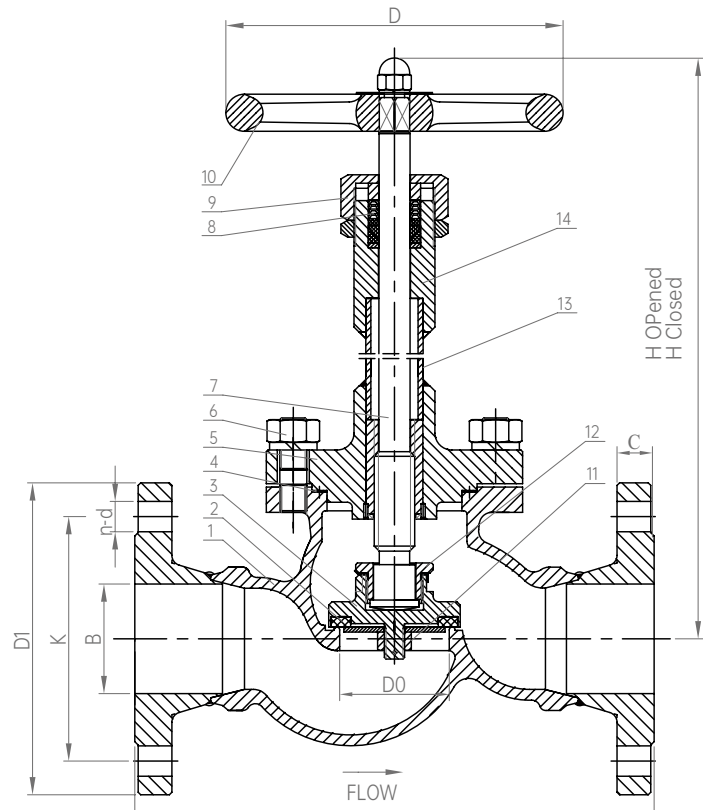
Parameters

PN: 4.0MPa
DN: Ø65~Ø100
Design Temp.: -196°C ~+80°C
Media: LNG, LO₂, LN₂, LAr, CO₂

Connection :
Flanged connection with PN 40



This kind of product has certified by CE, EAC, TS and CCS
Standards: GB/T 24925, EN1626:2008, TR CU 032/2013



Materials

1 Body	CF8	6 Nut	S30408	11 Hexagon Nut	S30408
2 Disc Sealing	PCTFE	7 Stem	S30408	12 Connecting Nut	S30408
3 Disc	S30408	8 V ring	PTFE	13 Connecting Pipe	S30408
4 Gasket	RPTFE	9 Gland Nut	S30408	14 Gland Packings	S30408
5 Bonnet	S30408	10 Hand Wheel	Y102		

Model No.	Specifications & Dimensions (mm)										Weight(kg)
	H Opened	H Closed	D0	L	D	K	D1	C	n-d	B	
DJ-65F	520	495	Ø65	308	Ø200	Ø145	Ø185	22	8-Ø18	65	
DJ-80F	549	522	Ø80	345	Ø250	Ø160	Ø200	24	8-Ø18	80	
DJ-100F	634	601	Ø100	410	Ø315	Ø190	Ø235	24	8-Ø22	100	

DJ61F-40P

Cryogenic Globe Valve

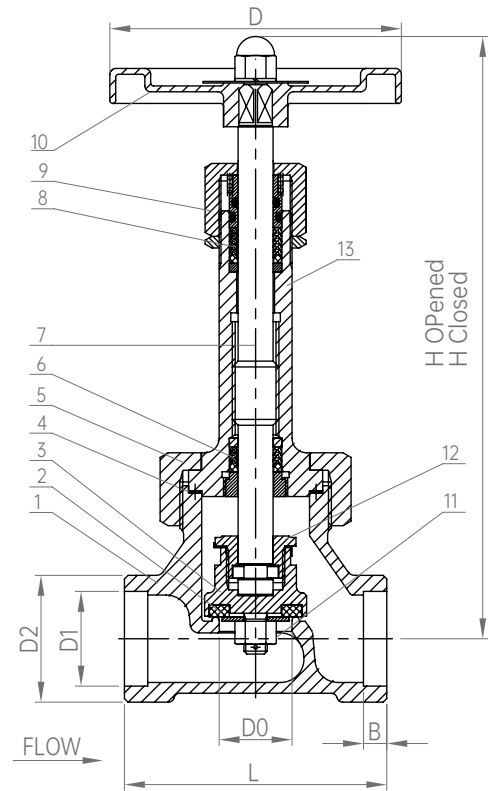
Parameters

PN: 4.0MPa
DN: Ø15~Ø25
Design Temp.: -196°C ~+80°C
Media: LNG. LO₂. LN₂. LAr. CO₂

Connection : Socket Weld



This kind of product has certified by CE ,EAC, TS and CCS
Standards: GB/T 24925, EN1626:2008, TR CU 032/2013



Materials

1	Body	CF8	6	Gasket	PTFE	10	Hand Wheel	Y102
2	Disc Sealing	PCTFE	7	Stem	S30408	11	Hexagon Nut	S30408
3	Disc	HPb59-1	8	V ring	PTFE	12	Connecting Nut	HPb59-1
4	Gasket	RPTFE	9	Gland Nut	HPb59-1	13	Connecting Pipe	HPb59-1
5	Bonnet	HPb59-1						

Model No.	Specifications & Dimensions (mm)								Weight(kg)
	H Opened	H Closed	L	D	D0	D1	D2	B	
DJ-15P1	181	172	65	Ø80	Ø15	Ø18.5	Ø29.5	6	1.0
DJ-20P1	189	178	80	Ø80	Ø20	Ø25.5	Ø36	8	1.6
DJ-25P1	217	204	90	Ø100	Ø25	Ø32.5	Ø43.5	8	1.9



DJ61F-40P

Cryogenic Globe Valve

Parameters

PN: 4.0MPa

DN: Ø15~Ø50

Design Temp.: -196°C ~+80°C

Media: LNG, LO₂, LN₂, LAr, CO₂

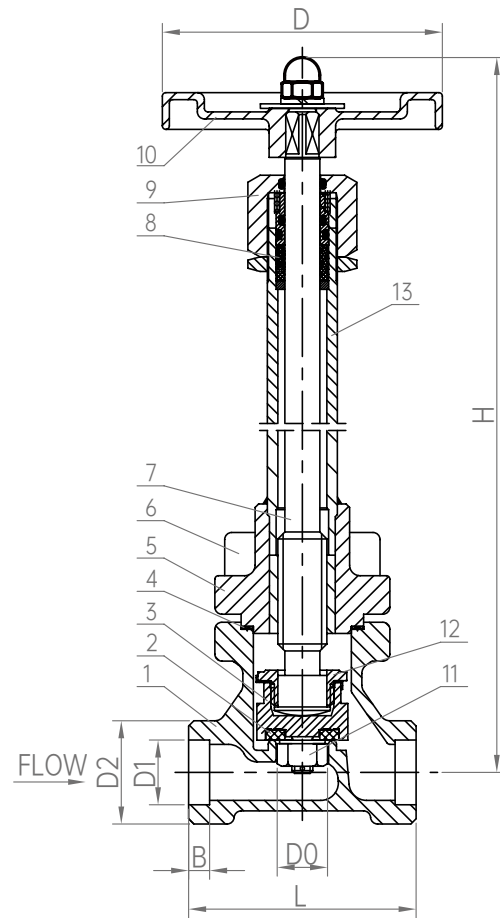
Connection : Socket Weld



This kind of product has certified by CE, EAC, TS and CCS

This valve is suitable for limited tank container.

Standards: GB/T 24925, EN1626:2008, TR CU 032/2013



Materials

1 Body	CF8	6 Hexagon Screw	S30408	10 Hand Wheel	Y102
2 Disc Sealing	PCTFE	7 Stem	S30408	11 Hexagon Nut	S30408
3 Disc	S30408	8 V ring	PTFE	12 Connecting Nut	S30408
4 Gasket	RPTFE	9 Gland Nut	S30408	13 Connecting Pipe	S30408
5 Bonnet	S30408				

Model No.	Specifications & Dimensions (mm)								Weight(kg)
	H Opened	H Closed	L	D	D0	D1	D2	B	
DJ-10D1	181	175	60	Ø65	Ø13	Ø14.5	Ø24	6	1.0
DJ-25P	243	230	90	Ø100	Ø25	Ø32.5	Ø43.5	8	1.8
DJ-40D1	284.5	267	120	Ø125	Ø40	Ø45.5	Ø62	8	3.9
DJ-50D1	295.5	282.5	140	Ø140	Ø50	Ø57.5	Ø72	10	5.4

DJ61F-40T

Cryogenic Globe Valve Long Stem

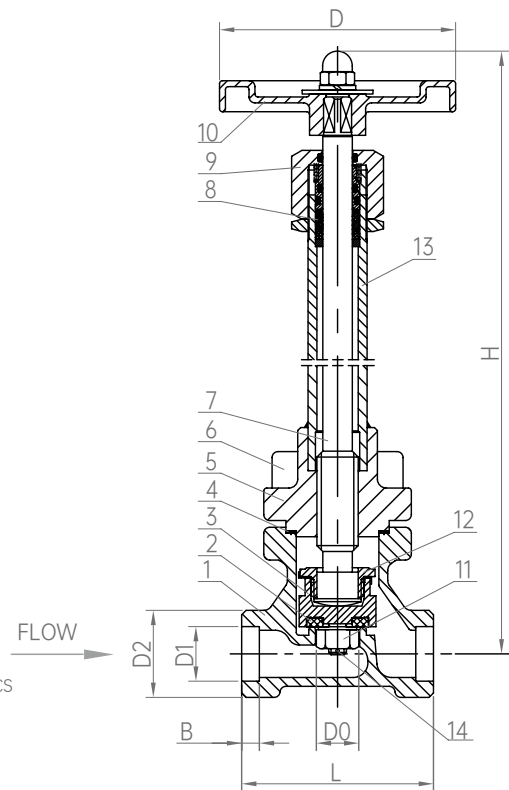
Parameters

PN: 4.0MPa
DN: Ø10~Ø50
Design Temp.: -196°C ~+85°C
Media: LNG, LO₂, LN₂, LAr, CO₂

Connection : Socket Weld



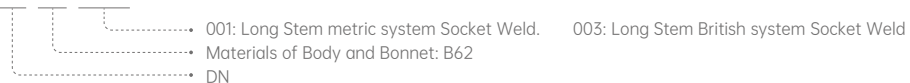
This kind of product has certified by CE, EAC, TS and CCS
Standards: GB/T 24925, EN1626:2008, TR CU 032/2013



Materials

1	Body	B62	6	Screw	S30408	11	Nut	C36000
2	Gasket	PCTFE	7	Stem	S30408	12	Connecting Nut	S30408
3	Disc	C36000	8	Ring	PTFE	13	Connecting Pipe	S30408
4	Ring	D#9000	9	Gland Nut	S30408	14	Split Pin	H62
5	Bonnet	C37700	10	Hand Wheel	Y102			

Remarks: **DJ-15.99.xxx**



Model No.	Specifications & Dimensions (mm)										Weight(kg)
	H Opening	H Closing	L	D	D0	D1 metric system	D1 British system	D2	B	Cv	
DJ-10.99.xxx	221	215	60	65	13	14.5	17.8	24	6	2.1	
DJ-15.99.xxx	257	248	65	80	15	18.5	21.8	29.5	6	2.9	
DJ-20.99.xxx	263	254	80	80	20	25.5	27.4	36	8	6.1	
DJ-25.99.xxx	295	282	90	100	25	32.5	34.2	43.5	8	9.3	
DJ-32.99.xxx	305.5	291	105	100	32	38.5	42.9	53	8	16	
DJ-40.99.xxx	373.5	356	120	125	40	45.5	48.8	62	8	22	
DJ-50.99.xxx	384.5	361.5	140	140	50	57.5	60.8	72	10	38	



DJ61F-40T

Cryogenic Globe Valve Long Stem

Parameters

PN: 4.0MPa

DN: Ø10~Ø50

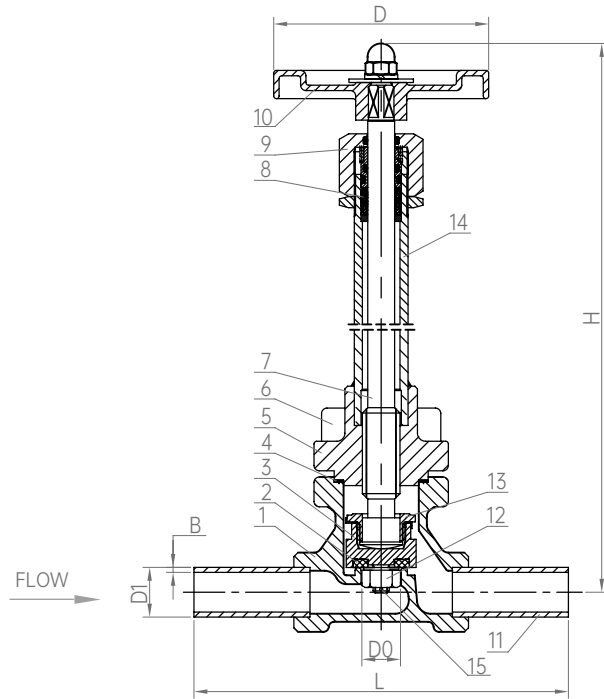
Design Temp.: -196°C ~+85°C

Media: LNG, LO₂, LN₂, LAr, CO₂



This kind of product has certified by CE, EAC, TS and CCS

Standards: GB/T 24925, EN1626:2008, TR CU 032/2013



Materials

1	Body	B62	6	Screw	S30408	11	Pipe	C12200
2	Gasket	PCTFE	7	Stem	S30408	12	Nut	C36000
3	Disc	C36000	8	Ring	PTFE	13	Connecting Nut	S30408
4	Ring	D#9000	9	Gland Nut	S30408	14	Connecting Pipe	S30408
5	Bonnet	C37700	10	Hand Wheel	Y102	15	Split Pin	H62

Remarks: DJ-15.99.xxx

- 005: Long Stem Brass Pipe(metric system). 007: Long Stem Brass Pipe(British system)
- Materials of Body and Bonnet: B62
- DN

Model No.	Specifications & Dimensions (mm)									Weight(kg)
	H Opening	H Closing	L	D	D0	D1 metric system	D1 British system	B	Cv	
DJ-10.99.xxx	221	215	360	65	13	14	17.2	1.0	2.1	
DJ-15.99.xxx	257	248	365	80	15	18	21.3	1.5	2.9	
DJ-20.99.xxx	263	254	380	80	20	25	26.9	1.5	6.1	
DJ-25.99.xxx	295	282	390	100	25	32	33.7	1.5	9.3	
DJ-32.99.xxx	305.5	291	405	100	32	38	42.4	1.5	16	
DJ-40.99.xxx	373.5	356	420	125	40	45	48.3	1.5	22	
DJ-50.99.xxx	384.5	361.5	440	140	50	57	60.3	2.0	38	

DJ61F-40T

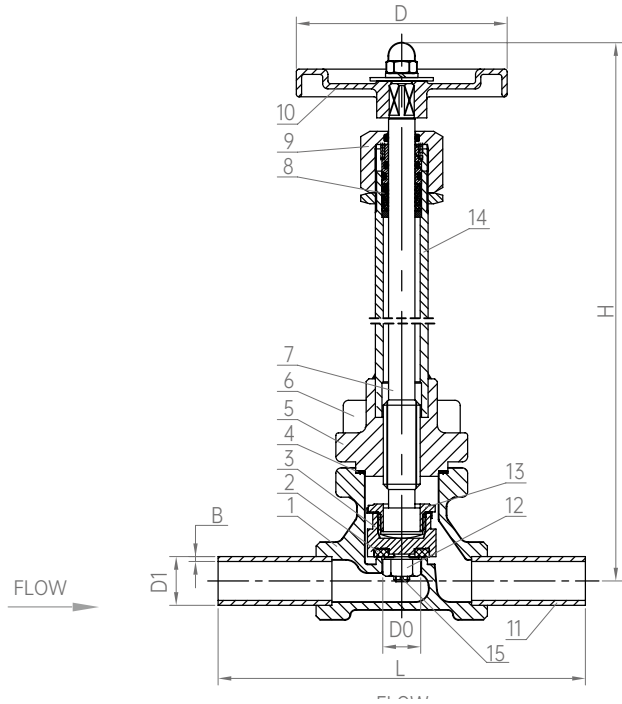
Cryogenic Globe Valve Long Stem

Parameters

PN: 4.0MPa
DN: Ø10~Ø50
Design Temp.: -196°C ~+85°C
Media: LNG. LO₂. LN₂. LAr. CO₂



This kind of product has certified by CE, EAC, TS and CCS
Standards: GB/T 24925, EN1626:2008, TR CU 032/2013



Materials

1	Body	B62	6	Screw	S30408	11	Pipe	S30408
2	Gasket	PCTFE	7	Stem	S30408	12	Nut	C36000
3	Disc	C36000	8	Ring	PTFE	13	Connecting Nut	S30408
4	Ring	D#9000	9	Gland Nut	S30408	14	Connecting Pipe	S30408
5	Bonnet	C37700	10	Hand Wheel	Y102	15	Split Pin	H62

Remarks: **DJ-15.99.xxx**

006: Long Stem SS Pipe (metric system). 008: Long Stem SS Pipe (British system)
Materials of Body and Bonnet: B62
DN

Model No.	Specifications & Dimensions (mm)										Weight(kg)
	H Opening	H Closing	L	D	D0	D1 metric system	D1 British system	B metric system	B British system	Cv	
DJ-10.99.xxx	221	215	210	65	13	14	17.2	/	/	2.1	
DJ-15.99.xxx	257	248	215	80	15	18	21.3	2.8	2.77	2.9	
DJ-20.99.xxx	263	254	230	80	20	25	26.9	3.0	2.87	6.1	
DJ-25.99.xxx	295	282	240	100	25	32	33.7	3.5	3.38	9.3	
DJ-32.99.xxx	305.5	291	255	100	32	38	42.4	3.6	3.56	16	
DJ-40.99.xxx	373.5	356	270	125	40	45	48.3	3.6	3.68	22	
DJ-50.99.xxx	384.5	361.5	290	140	50	57	60.3	4.0	3.91	38	



DJ11F-40T

Cryogenic Globe Valve Long Stem

Parameters

PN: 4.0MPa

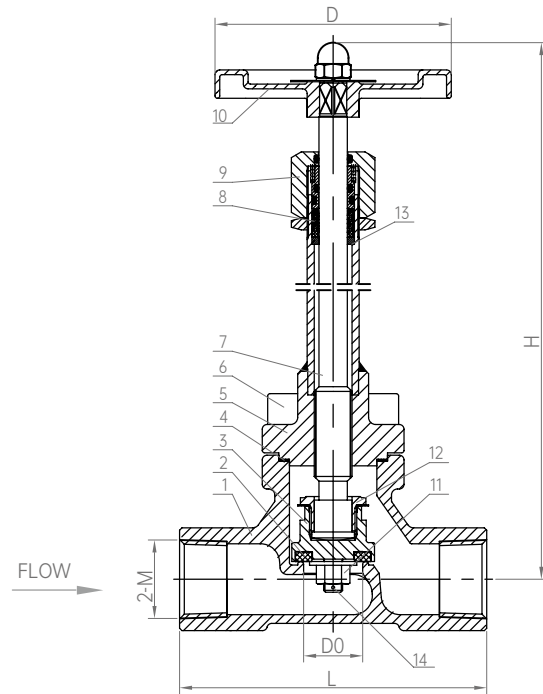
DN: Ø10~Ø50

Design Temp.: -196°C ~+85°C

Media: LNG. LO₂. LN₂. LAr. CO₂



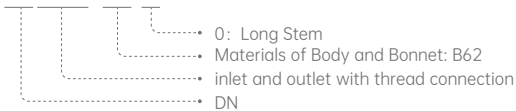
This kind of product has certified by CE, EAC, TS and CCS
Standards: GB/T 24925, EN1626:2008, TR CU 032/2013



Materials

1	Body	B62	6	Screw	S30408	11	Nut	C36000
2	Gasket	PCTFE	7	Stem	S30408	12	Connecting Nut	S30408
3	Disc	C36000	8	Ring	PTFE	13	Connecting Pipe	S30408
4	Ring	D#9000	9	Gland Nut	S30408	14	Split Pin	H62
5	Bonnet	C37700	10	Hand Wheel	Y102			

Remarks: DJ-15NPT.99.0



Model No.	Specifications & Dimensions (mm)							Weight(kg)
	H Opening	H Closing	L	D	D0	M	Cv	
DJ-10NPT.99.0	221	215	60	65	13	NPT 3/8	2.1	
DJ-15NPT.99.0	257	248	65	80	15	NPT 1/2	2.9	
DJ-20NPT.99.0	263	254	112	80	20	NPT 3/4	6.1	
DJ-25NPT.99.0	295	282	130	90	25	NPT 1	9.3	

DJ61F-40T

Cryogenic Globe Valve Short Stem

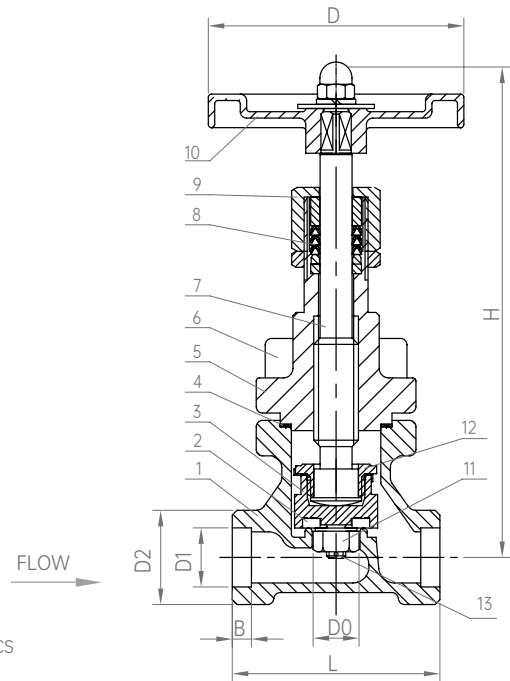
Parameters

PN: 4.0MPa
DN: Ø10~Ø50
Design Temp.: -40°C ~+80°C
Media: NG, O₂, N₂, Ar, CO₂

Connection : Socket Weld



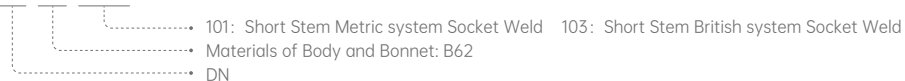
This kind of product has certified by CE, EAC, TS and CCS
Standards: GB/T 24925, EN1626:2008, TR CU 032/2013



Materials

1	Body	B62	6	Screw	S30408	11	Nut	C36000
2	Gasket	PCTFE	7	Stem	S30408	12	Connecting Nut	S30408
3	Disc	C36000	8	Ring	PTFE	13	Split Pin	H62
4	Ring	D#9000	9	Gland Nut	S30408			
5	Bonnet	C37700	10	Hand Wheel	Y102			

Remarks: **DJ-15.99.xxx**



Model No.	Specifications & Dimensions (mm)										Weight(kg)
	H Opening	H Closing	L	D	D0	D1 metric system	D1 British system	D2	B	Cv	
DJ-10.99.xxx	131	125	60	65	13	14.5	17.8	24	6	2.1	
DJ-15.99.xxx	150	141	65	80	15	18.5	21.8	29.5	6	2.9	
DJ-20.99.xxx	158	147	80	80	20	25.5	27.4	36	8	6.1	
DJ-25.99.xxx	180	167	90	100	25	32.5	34.2	43.5	8	9.3	
DJ-32.99.xxx	190	176	105	100	32	38.5	42.9	53	8	16	
DJ-40.99.xxx	230.5	213	120	125	40	45.5	48.8	62	8	22	
DJ-50.99.xxx	241.5	218.5	140	140	50	57.5	60.8	72	10	38	



DJ61F-40T

Cryogenic Globe Valve Short Stem

Parameters

PN: 4.0MPa

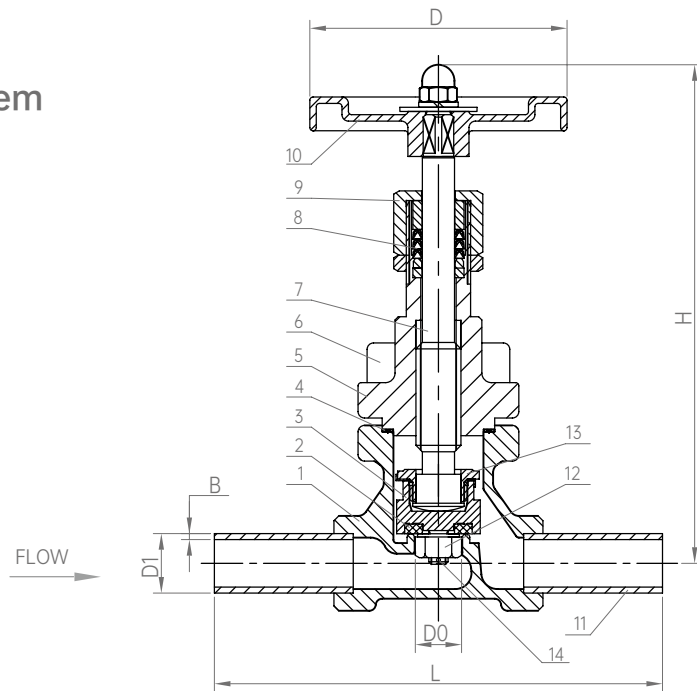
DN: Ø10~Ø50

Design Temp.: -40°C ~+80°C

Media: NG. O₂. N₂. Ar. CO₂



This kind of product has certified by CE, EAC, TS and CCS
Standards: GB/T 24925, EN1626:2008, TR CU 032/2013



Materials

1	Body	B62	6	Screw	S30408	11	Pipe	C12200
2	Gasket	PCTFE	7	Stem	S30408	12	Nut	C36000
3	Disc	C36000	8	Ring	PTFE	13	Connecting Nut	S30408
4	Ring	D#9000	9	Gland Nut	S30408	14	Split Pin	H62
5	Bonnet	C37700	10	Hand Wheel	Y102			

Remarks: DJ-15.99.xxx

- 105: Short Stem Brass Pipe(metric system) 107: Short Stem Brass Pipe(British system)
- Materials of Body and Bonnet: B62
- DN

Model No.	Specifications & Dimensions (mm)									Weight(kg)
	H Opening	H Closing	L	D	D0	D1 metric system	D1 British system	B	Cv	
DJ-10.99.xxx	131	125	360	65	13	14	17.2	1.0	2.1	
DJ-15.99.xxx	150	141	365	80	15	18	21.3	1.5	2.9	
DJ-20.99.xxx	158	147	380	80	20	25	26.9	1.5	6.1	
DJ-25.99.xxx	180	167	390	100	25	32	33.7	1.5	9.3	
DJ-32.99.xxx	190	176	405	100	32	38	42.4	1.5	16	
DJ-40.99.xxx	230.5	213	420	125	40	45	48.3	1.5	22	
DJ-50.99.xxx	241.5	218.5	440	140	50	57	60.3	2.0	38	

DJ61F-40T

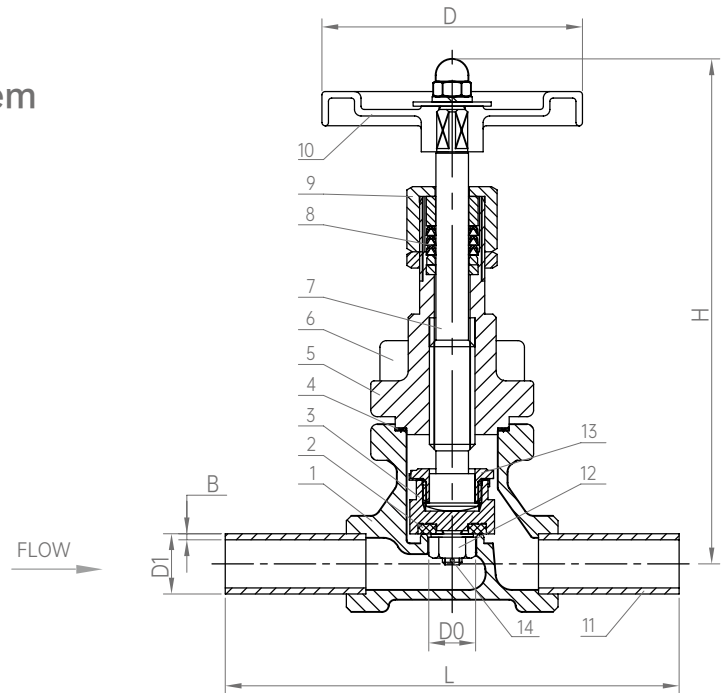
Cryogenic Globe Valve Short Stem

Parameters

PN: 4.0MPa
DN: Ø10~Ø50
Design Temp.: -40°C ~+80°C
Media: NG, O₂, N₂, Ar, CO₂



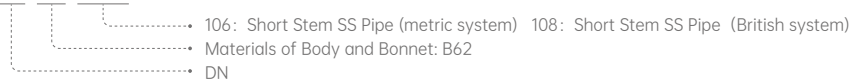
This kind of product has certified by CE, EAC, TS and CCS
Standards: GB/T 24925, EN1626:2008, TR CU 032/2013



Materials

1	Body	B62	6	Screw	S30408	11	Pipe	S30408
2	Gasket	PCTFE	7	Stem	S30408	12	Nut	C36000
3	Disc	C36000	8	Ring	PTFE	13	Connecting Nut	S30408
4	Ring	D#9000	9	Gland Nut	S30408	14	Split Pin	H62
5	Bonnet	C37700	10	Hand Wheel	Y102			

Remarks: **DJ-15.99.xxx**



Model No.	Specifications & Dimensions (mm)										Weight(kg)
	H Opening	H Closing	L	D	D0	D1 metric system	D1 British system	B metric system	B British system	Cv	
DJ-10.99.xxx	131	125	210	65	13	14	17.2	2.5	2.31	2.1	
DJ-15.99.xxx	150	141	215	80	15	18	21.3	2.8	2.77	2.9	
DJ-20.99.xxx	158	147	230	80	20	25	26.9	3.0	2.87	6.1	
DJ-25.99.xxx	180	167	240	100	25	32	33.7	3.5	3.38	9.3	
DJ-32.99.xxx	190	176	255	100	32	38	42.4	3.6	3.56	16	
DJ-40.99.xxx	230.5	213	270	125	40	45	48.3	3.6	3.68	22	
DJ-50.99.xxx	241.5	218.5	290	140	50	57	60.3	4.0	3.91	38	



DJ11F-40T

Cryogenic Globe Valve Short Stem

Parameters

PN: 4.0MPa

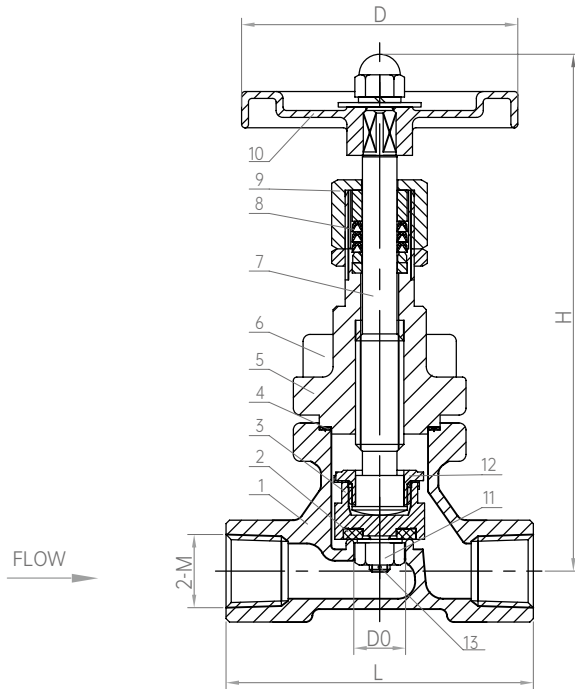
DN: Ø10~Ø50

Design Temp.: -40°C ~+80°C

Media: NG. O₂. N₂. Ar. CO₂



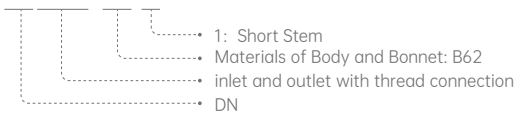
This kind of product has certified by CE, EAC, TS and CCS
Standards: GB/T 24925, EN1626:2008, TR CU 032/2013



Materials

1	Body	B62	6	Screw	S30408	11	Nut	C36000
2	Gasket	PCTFE	7	Stem	S30408	12	Connecting Nut	S30408
3	Disc	C36000	8	Ring	PTFE	13	Split Pin	H62
4	Ring	D#9000	9	Gland Nut	S30408			
5	Bonnet	C37700	10	Hand Wheel	Y102			

Remarks: DJ-15NPT.99.1



Model No.	Specifications & Dimensions (mm)							Weight(kg)
	H Opening	H Closing	L	D	D0	M	Cv	
DJ-10NPT.99.1	131	125	60	65	13	NPT 3/8	2.1	
DJ-15NPT.99.1	150	141	65	80	15	NPT 1/2	2.9	
DJ-20NPT.99.1	158	147	112	80	20	NPT 3/4	6.3	
DJ-25NPT.99.1	180	167	130	90	25	NPT 1	9.3	

DJ61F-40T

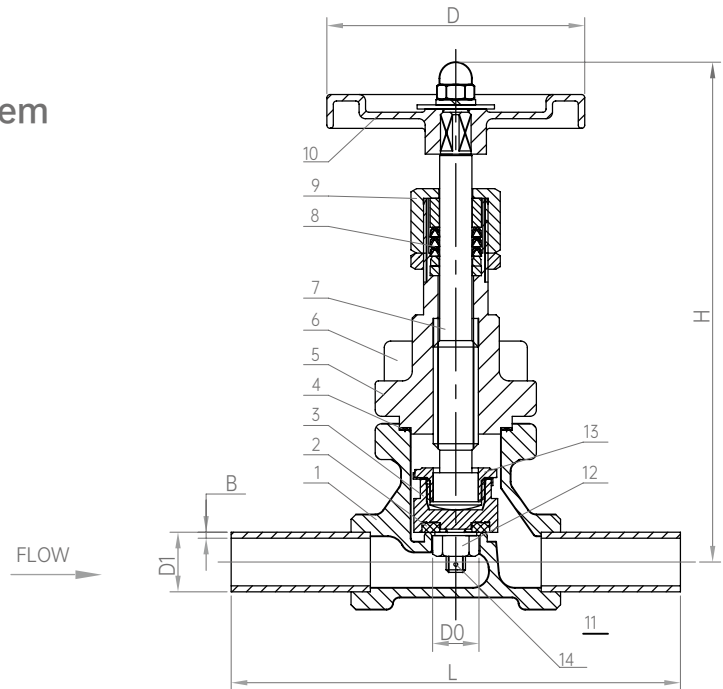
Cryogenic Globe Valve Short Stem

Parameters

PN: 4.0MPa
DN: Ø25
Design Temp.: -40°C ~+80°C
Media: NG, O₂, N₂, Ar, CO₂



This kind of product has certified by CE, EAC, TS and CCS
Standards: GB/T 24925, EN1626:2008, TR CU 032/2013



Materials

1	Body	B62	6	Screw	S30408	11	Pipe	S30408
2	Gasket	PCTFE	7	Stem	S30408	12	Nut	C36000
3	Disc	C36000	8	Ring	PTFE	13	Connecting Nut	S30408
4	Ring	D#9000	9	Gland Nut	S30408	14	Split Pin	H62
5	Bonnet	C37700	10	Hand Wheel	Y102			

Model No.	Specifications & Dimensions (mm)								Weight(kg)
	H Opening	H Closing	L	D	D0	D1	B	Cv	
DJ-25.99.118	180	167	240	100	25	33.7	4.55	9.3	



DJ61F-40P

Cryogenic Globe Valve Long Stem

Parameters

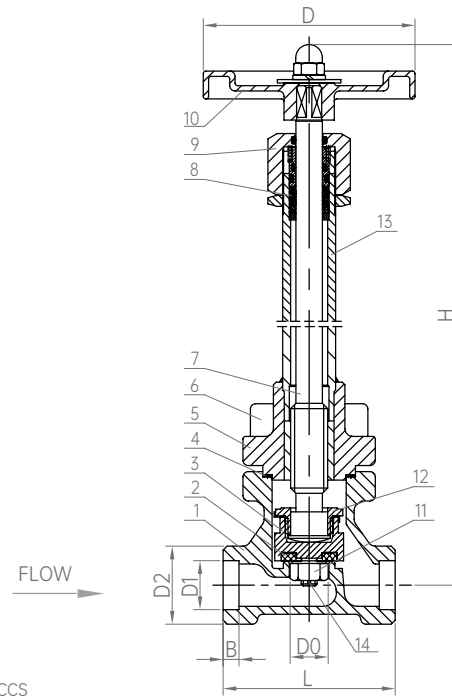
PN: 4.0MPa

DN: Ø10~Ø50

Design Temp.: -196°C ~+80°C

Media: LNG, LO₂, LN₂, LAr, CO₂

Connection : Socket Weld



This kind of product has certified by CE, EAC, TS and CCS
Standards: GB/T 24925, EN1626:2008, TR CU 032/2013

Materials

1	Body	CF8	6	Screw	S30408	11	Nut	C36000
2	Gasket	PCTFE	7	Stem	S30408	12	Connecting Nut	S30408
3	Disc	C36000	8	Ring	PTFE	13	Split Pin	S30408
4	Ring	D#9000	9	Gland Nut	S30408			
5	Bonnet	CF8	10	Hand Wheel	Y102			

Remarks: **DJ-15.98.xxx**

001: Long Stem Socket Weld metric system 003: Long Stem Socket Weld British system
Materials of Body : CF8
DN

Model No.	Specifications & Dimensions (mm)										Weight(kg)
	H Opening	H Closing	L	D	D0	D1 metric system	D1 British system	D2	B	Cv	
DJ-10.98.xxx	221	215	60	65	13	14.5	17.8	24	6	2.1	
DJ-15.98.xxx	257	248	65	80	15	18.5	21.8	29.5	6	2.9	
DJ-20.98.xxx	263	254	80	80	20	25.5	27.4	36	8	6.1	
DJ-25.98.xxx	295	282	90	100	25	32.5	34.2	43.5	8	9.3	
DJ-32.98.xxx	305.5	291	105	100	32	38.5	42.9	53	8	16	
DJ-40.98.xxx	373.5	356	120	125	40	45.5	48.8	62	8	22	
DJ-50.98.xxx	384.5	361.5	140	140	50	57.5	60.8	72	10	38	

DJ61F-40P

Cryogenic Globe Valve Long Stem

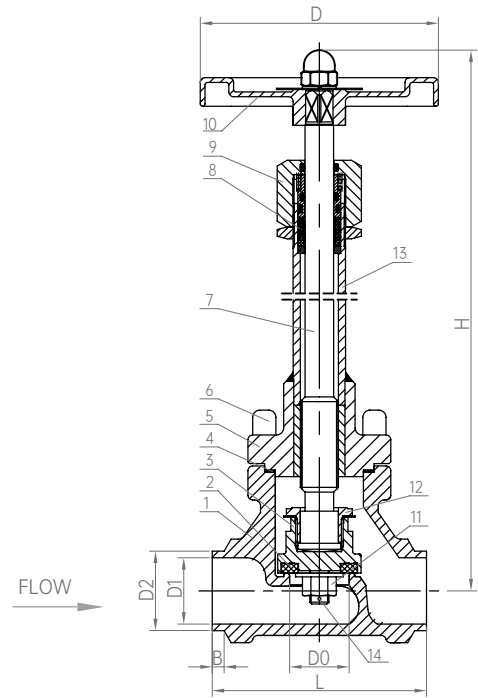
Parameters

PN: 4.0MPa
DN: Ø10~Ø50
Design Temp.: -196°C ~+80°C
Media: LNG, LO₂, LN₂, LAr, CO₂

Connection : Butt Weld



This kind of product has certified by CE, EAC, TS and CCS
Standards: GB/T 24925, EN1626:2008, TR CU 032/2013



Materials

1	Body	CF8	6	Screw	S30408	11	Nut	C36000
2	Gasket	PCTFE	7	Stem	S30408	12	Connecting Nut	S30408
3	Disc	C36000	8	Ring	PTFE	13	Connecting Pipe	S30408
4	Ring	D#9000	9	Gland Nut	S30408	14	Split Pin	S30408
5	Bonnet	CF8	10	Hand Wheel	Y102			

Remarks: **DJ-15.98.xxx**

002: Long Stem Butt Weld(metric system) 004: Long Stem Butt Weld(British system)
Materials of Body : CF8
DN

Model No.	Specifications & Dimensions (mm)										
	H Opening	H Closing	L	D	D0	D1 metric system	D2 metric system	D1 British system	D2 British system	B	Cv
DJ-10.98.xxx	221	215	60	65	13	/	/	12.58	17.2	4	2.1
DJ-15.98.xxx	257	248	65	80	15	12.4	18	15.76	21.3	5	2.9
DJ-20.98.xxx	263	254	80	80	20	19	25	21.16	26.9	5	6.1
DJ-25.98.xxx	295	282	90	100	25	25	32	26.94	33.7	5	9.3
DJ-32.98.xxx	305.5	291	105	100	32	30.8	38	35.28	42.4	5	16
DJ-40.98.xxx	373.5	356	120	125	40	37.8	45	40.94	48.3	5	22
DJ-50.98.xxx	384.5	361.5	140	140	50	49	57	52.48	60.3	5	38



DJ11F-40P

Cryogenic Globe Valve Long Stem

Parameters

PN: 4.0MPa

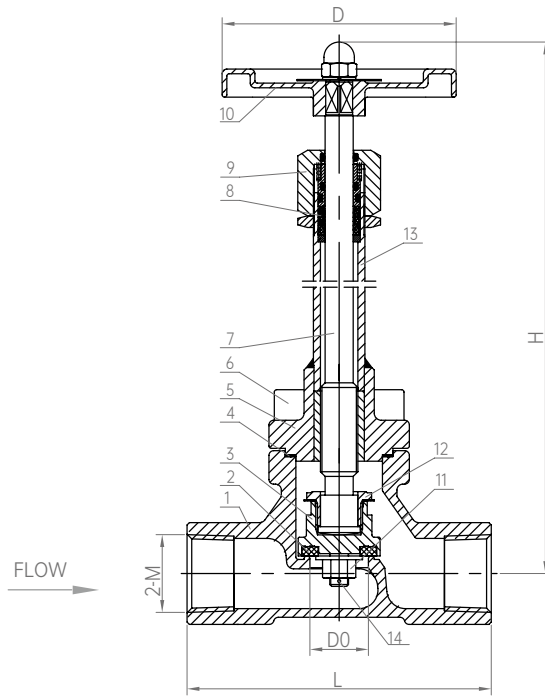
DN: Ø10~Ø25

Design Temp.: -196°C ~+80°C

Media: LNG. LO₂. LN₂. LAr. CO₂



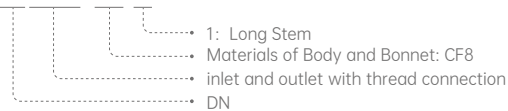
This kind of product has certified by CE, EAC, TS and CCS
Standards: GB/T 24925, EN1626:2008, TR CU 032/2013



Materials

1	Body	CF8	6	Screw	S30408	11	Nut	C36000
2	Gasket	PCTFE	7	Stem	S30408	12	Connecting Nut	S30408
3	Disc	C36000	8	Ring	PTFE	13	Connecting Pipe	S30408
4	Ring	D#9000	9	Gland Nut	S30408	14	Split Pin	S30408
5	Bonnet	CF8	10	Hand Wheel	Y102			

Remarks: DJ-15NPT.98.0



Model No.	Specifications & Dimensions (mm)							Weight(kg)
	H Opening	H Closing	L	D	D0	M	Cv	
DJ-10NPT.98.0	221	215	60	65	10	NPT 3/8	2.1	
DJ-15NPT.98.0	257	248	65	80	15	NPT 1/2	2.9	
DJ-20NPT.98.0	263	254	112	80	20	NPT 3/4	6.1	
DJ-25NPT.98.0	295	282	130	90	25	NPT 1	9.3	

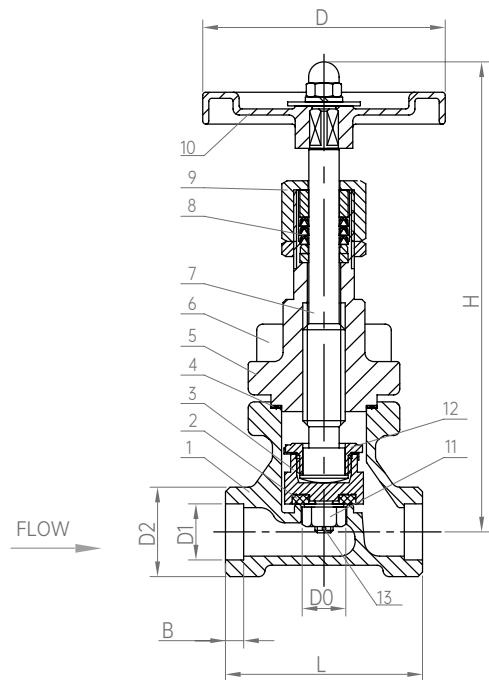
DJ61F-40P

Cryogenic Globe Valve Short Stem

Parameters

PN: 4.0MPa
DN: Ø10~Ø50
Design Temp.: -40°C ~+80°C
Media: NG, O₂, N₂, Ar, CO₂

Connection : Socket Weld



This kind of product has certified by CE, EAC, TS and CCS
Standards: GB/T 24925, EN1626:2008, TR CU 032/2013

Materials

1	Body	CF8	6	Screw	S30408	11	Nut	C36000
2	Gasket	PCTFE	7	Stem	S30408	12	Connecting Nut	S30408
3	Disc	C36000	8	Ring	PTFE	13	Split Pin	S30408
4	Ring	D#9000	9	Gland Nut	S30408			
5	Bonnet	CF8	10	Hand Wheel	Y102			

Remarks: **DJ-15.98.xxx**

101: Short Stem Socket Weld(metric system) 103: Short Stem Socket Weld(British system)
Materials of Body: CF8
DN

Model No.	Specifications & Dimensions (mm)										Weight(kg)
	H Opening	H Closing	L	D	D0	D1 metric system	D1 British system	D2	B	Cv	
DJ-10.98.xxx	131	125	60	65	13	14.5	17.8	24	6	2.1	
DJ-15.98.xxx	150	141	65	80	15	18.5	21.8	29.5	6	2.9	
DJ-20.98.xxx	158	147	80	80	20	25.5	27.4	36	8	6.1	
DJ-25.98.xxx	180	167	90	100	25	32.5	34.2	43.5	8	9.3	
DJ-32.98.xxx	190	176	105	100	32	38.5	42.9	53	8	16	
DJ-40.98.xxx	230.5	213	120	125	40	45.5	48.8	62	8	22	
DJ-50.98.xxx	241.5	218.5	140	140	50	57.5	60.8	72	10	38	



DJ61F-40P

Cryogenic Globe Valve Short Stem

Parameters

PN: 4.0MPa

DN: Ø10~Ø50

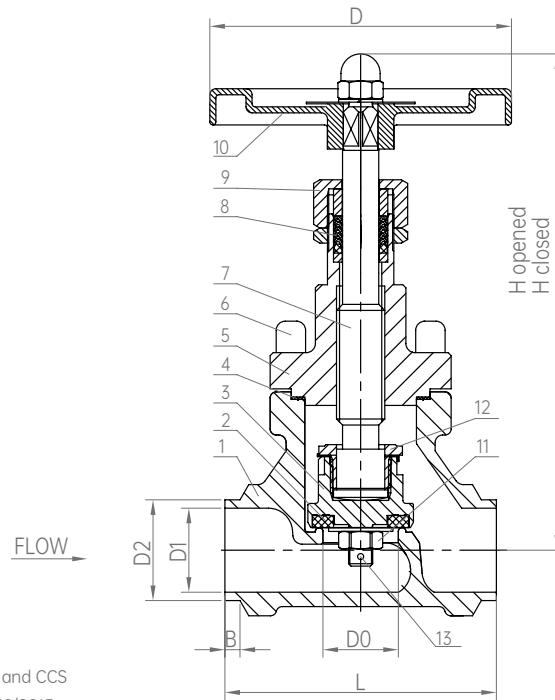
Design Temp.: -40°C ~+80°C

Media: NG. O₂. N₂. Ar. CO₂

Connection : Butt Weld



This kind of product has certified by CE, EAC, TS and CCS
Standards: GB/T 24925, EN1626:2008, TR CU 032/2013



Materials

1	Body	CF8	6	Screw	S30408	11	Nut	C36000
2	Gasket	PCTFE	7	Stem	S30408	12	Connecting Nut	S30408
3	Disc	C36000	8	Ring	PTFE	13	Split Pin	S30408
4	Ring	D#9000	9	Gland Nut	S30408			
5	Bonnet	CF8	10	Hand Wheel	Y102			

Remarks: **DJ-15.98.xxx**

- 102: Short Stem Butt Weld(metric system) 104: Short Stem Butt Weld(British system)
- Materials of Body : CF8
- DN

Model No.	Specifications & Dimensions (mm)										
	H Opening	H Closing	L	D	D0	D1 metric system	D2 metric system	D1 British system	D2 British system	B	Cv
DJ-10.98.xxx	131	125	60	65	13	/	/	12.58	17.2	4	2.1
DJ-15.98.xxx	150	141	65	80	15	12.4	18	15.76	21.3	5	2.9
DJ-20.98.xxx	158	147	80	80	20	19	25	21.16	26.9	5	6.1
DJ-25.98.xxx	180	167	90	100	25	25	32	26.94	33.7	5	9.3
DJ-32.98.xxx	190	176	105	100	32	30.8	38	35.28	42.4	5	16
DJ-40.98.xxx	230.5	213	120	125	40	37.8	45	40.94	48.3	5	22
DJ-50.98.xxx	241.5	218.5	140	140	50	49	57	52.48	60.3	5	38

DJ11F-40P

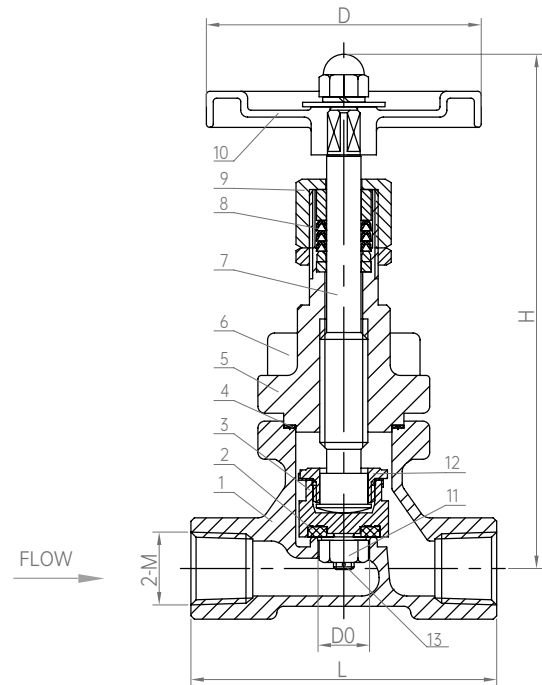
Cryogenic Globe Valve Short Stem

Parameters

PN: 4.0MPa
DN: Ø10~Ø50
Design Temp.: -40°C ~+80°C
Media: NG, O₂, N₂, Ar, CO₂



This kind of product has certified by CE, EAC, TS and CCS
Standards: GB/T 24925, EN1626:2008, TR CU 032/2013



Materials

1	Body	CF8	6	Screw	S30408	11	Nut	C36000
2	Gasket	PCTFE	7	Stem	S30408	12	Connecting Nut	S30408
3	Disc	C36000	8	Ring	PTFE	13	Split Pin	S30408
4	Ring	D#9000	9	Gland Nut	S30408			
5	Bonnet	CF8	10	Hand Wheel	Y102			

Remarks: DJ-15NPT.98.1

- 1: Short Stem
- Materials of Body and Bonnet: CF8
- inlet and outlet with thread connection
- DN

Model No.	Specifications & Dimensions (mm)							Weight(kg)
	H Opening	H Closing	L	D	D0	M	Cv	
DJ-10NPT.98.1	131	125	60	65	10	NPT 3/8	2.1	
DJ-15NPT.98.1	150	141	65	80	15	NPT 1/2	2.9	
DJ-20NPT.98.1	158	147	112	80	20	NPT 3/4	6.3	
DJ-25NPT.98.1	180	167	130	90	25	NPT 1	9.3	



DJ61F-40P

Cryogenic Globe Valve Long Stem

Parameters

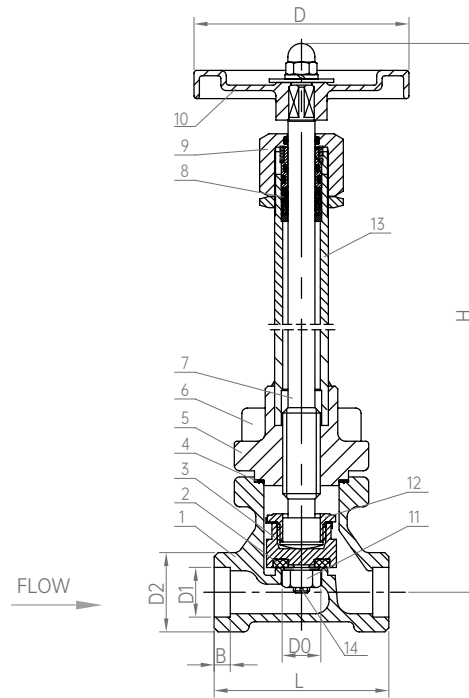
PN: 4.0MPa

DN: Ø10~Ø50

Design Temp.: -196°C ~+80°C

Media: LNG, LO₂, LN₂, LAr, CO₂

Connection : Socket Weld



This kind of product has certified by CE, EAC, TS and CCS
Standards: GB/T 24925, EN1626:2008, TR CU 032/2013

Materials

1	Body	CF8	6	Screw	S30408	11	Nut	C36000
2	Gasket	PCTFE	7	Stem	S30408	12	Connecting Nut	S30408
3	Disc	C36000	8	Ring	PTFE	13	Connecting Pipe	S30408
4	Ring	D#9000	9	Gland Nut	S30408	14	Split Pin	S30408
5	Bonnet	C37700	10	Hand Wheel	Y102			

Remarks: **DJ-15.97.xxx**



Model No.	Specifications & Dimensions (mm)										Weight(kg)
	H Opening	H Closing	L	D	D0	D1 metric system	D1 British system	D2	B	Cv	
DJ-10.97.xxx	221	215	60	65	13	14.5	17.8	24	6	2.1	
DJ-15.97.xxx	257	248	65	80	15	18.5	21.8	29.5	6	2.9	
DJ-20.97.xxx	263	254	80	80	20	25.5	27.4	36	8	6.1	
DJ-25.97.xxx	295	282	90	100	25	32.5	34.2	43.5	8	9.3	
DJ-32.97.xxx	305.5	291	105	100	32	38.5	42.9	53	8	16	
DJ-40.97.xxx	373.5	356	120	125	40	45.5	48.8	62	8	22	
DJ-50.97.xxx	384.5	361.5	140	140	50	57.5	60.8	72	10	38	

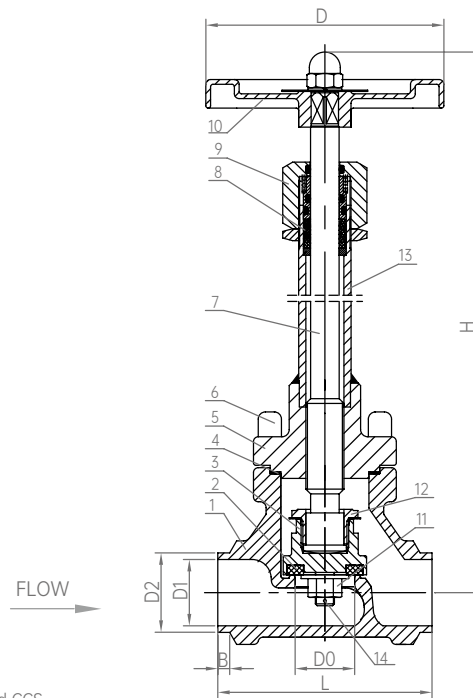
DJ61F-40P

Cryogenic Globe Valve Long Stem

Parameters

PN: 4.0MPa
DN: Ø10~Ø50
Design Temp.: -196°C ~+80°C
Media: LNG. LO₂. LN₂. LAr. CO₂

Connection : Butt Weld



This kind of product has certified by CE, EAC, TS and CCS
Standards: GB/T 24925, EN1626:2008, TR CU 032/2013

Materials

1	Body	CF8	6	Screw	S30408	11	Nut	C36000
2	Gasket	PCTFE	7	Stem	S30408	12	Connecting Nut	S30408
3	Disc	C36000	8	Ring	PTFE	13	Connecting Pipe	S30408
4	Ring	D#9000	9	Gland Nut	S30408	14	Split Pin	S30408
5	Bonnet	C37700	10	Hand Wheel	Y102			

Remarks: **DJ-15.97.xxx**

002: Long Stem Butt Weld(metric system) 004: Long Stem Butt Weld(British system)
Materials of Body : CF8
DN

Model No.	Specifications & Dimensions (mm)											Weight(kg)
	H Opening	H Closing	L	D	D0	D1 metric system	D2 metric system	D1 British system	D2 British system	B	Cv	
DJ-10.97.xxx	221	215	60	65	13	/	/	12.58	17.2	4	2.1	
DJ-15.97.xxx	257	248	65	80	15	12.4	18	15.76	21.3	5	2.9	
DJ-20.97.xxx	263	254	80	80	20	19	25	21.16	26.9	5	6.1	
DJ-25.97.xxx	295	282	90	100	25	25	32	26.94	33.7	5	9.3	
DJ-32.97.xxx	305.5	291	105	100	32	30.8	38	35.28	42.4	5	16	
DJ-40.97.xxx	373.5	356	120	125	40	37.8	45	40.94	48.3	5	22	
DJ-50.97.xxx	384.5	361.5	140	140	50	49	57	52.48	60.3	5	38	



DJ11F-40P

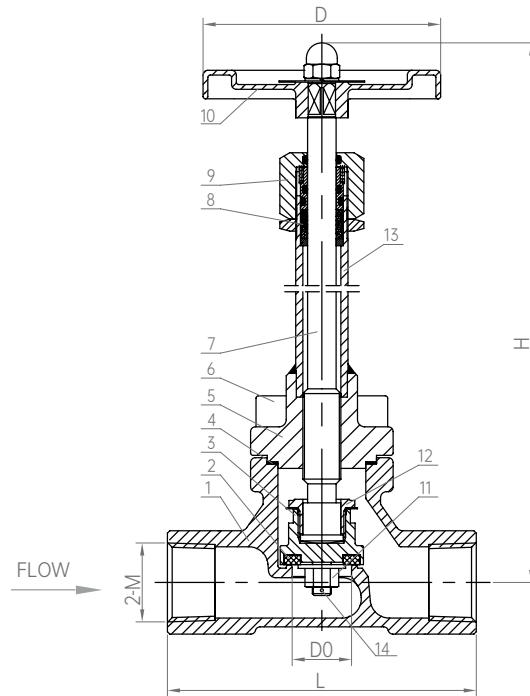
Cryogenic Globe Valve Long Stem

Parameters

PN: 4.0MPa
DN: Ø10~Ø25
Design Temp.: -196°C ~+80°C
Media: LNG, LO₂, LN₂, LAr, CO₂



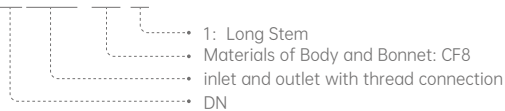
This kind of product has certified by CE, EAC, TS and CCS
Standards: GB/T 24925, EN1626:2008, TR CU 032/2013



Materials

1	Body	CF8	6	Screw	S30408	11	Nut	C36000
2	Gasket	PCTFE	7	Stem	S30408	12	Connecting Nut	S30408
3	Disc	C36000	8	Ring	PTFE	13	Connecting Pipe	S30408
4	Ring	D#9000	9	Gland Nut	S30408	14	Split Pin	S30408
5	Bonnet	C37700	10	Hand Wheel	Y102			

Remarks: DJ-15NPT.97.0



Model No.	Specifications & Dimensions (mm)							Weight(kg)
	H Opening	H Closing	L	D	D0	M	Cv	
DJ-10NPT.97.0	221	215	60	65	10	NPT 3/8	2.1	
DJ-15NPT.97.0	257	248	65	80	15	NPT 1/2	2.9	
DJ-20NPT.97.0	263	254	112	80	20	NPT 3/4	6.1	
DJ-25NPT.97.0	295	282	130	90	25	NPT 1	9.3	

DJ61F-40P

Cryogenic Globe Valve

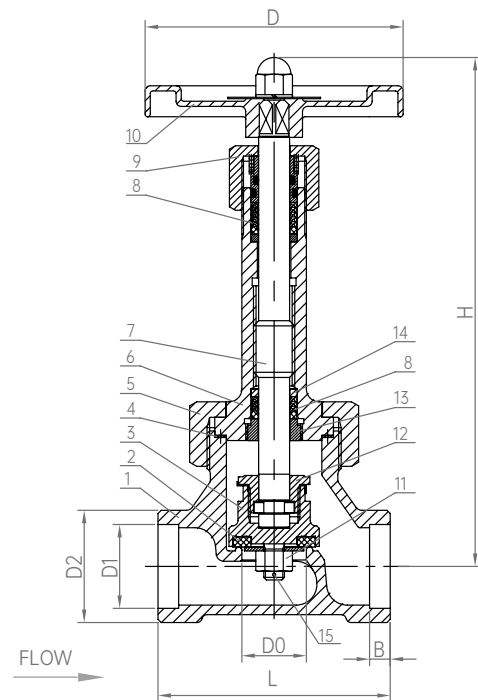
Parameters

PN: 4.0MPa
 DN: Ø15~Ø25
 Design Temp.: -196°C ~+80°C
 Media: LNG. LO₂. LN₂. LAr. CO₂

Connection : Socket Weld



This kind of product has certified by CE, EAC, TS and CCS
 Standards: GB/T 24925, EN1626:2008, TR CU 032/2013



Materials

1	Body	CF8	6	Bonnet	C37700	11	Nut	S30408
2	Gasket	PCTFE	7	Stem	S30408	12	Connecting Nut	S30408
3	Disc	C30408	8	Ring	PTFE	13	Nut	C36000
4	Ring	D#9000	9	Gland Nut	S30408	14	Washer	C36000
5	Big nut	C37700	10	Hand Wheel	Y102	15	Split Pin	S30408

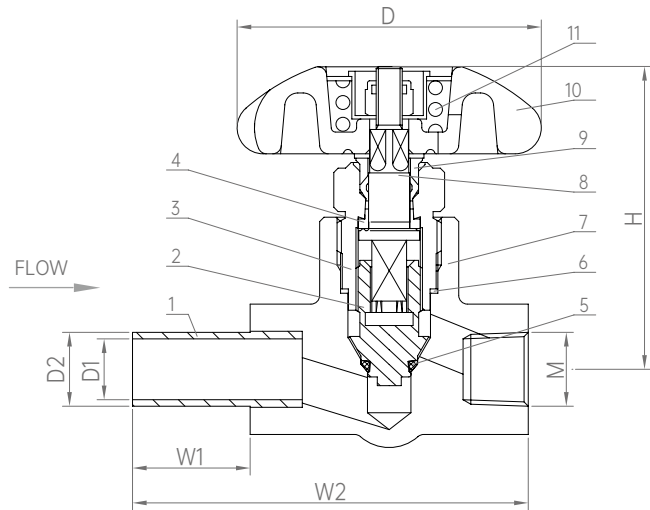
Model No.	Specifications & Dimensions (mm)									Weight(kg)
	H Opening	H Closing	L	D	D0	D1	D2	B	Cv	
DJ-15P1.97	181	172	65	80	15	18.5	29.5	6	2.9	
DJ-20P1.97	189	178	80	80	20	25.5	36	8	6.1	
DJ-25P1.97	217	204	90	100	25	32.5	43.5	8	9.3	



Cryogenic Globe Valve

Parameters

PN: 4.0MPa
DN: Ø10
Design Temp.: -196°C ~+85°C
Media: LNG, LO₂, LN₂, LAr, CO₂

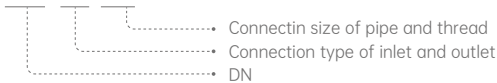


This kind of product has certified by CE, EAC, TS and CCS
Standards: GB/T 24925, EN1626:2008, TR CU 032/2013

Materials

1 Pipe	S30408	5 Gasket	PCTFE	9 Gland	C36000
2 Gate	C36000	6 Washer	T2	10 Hand Wheel	ZL102
3 Gland Nut	C36000	7 Body	C37700	11 Spring	S30210
4 Washer	PTFE	8 Stem	C36000		

Remarks: **DJ-10P.01.xx**



Model No.	Specifications & Dimensions (mm)								Weight(kg)
	D	H	W1	W2	M	D1	D2	Cv	
DJ-10P.01.01	Ø70	70	27	91	NPT3/8	Ø13	Ø17	1.76	
DJ-10P.01.02	Ø70	70	50	114	NPT3/8	Ø13	Ø17	1.76	
DJ-10P.01.03	Ø70	70	87	137	NPT3/8	Ø13	Ø17	1.76	

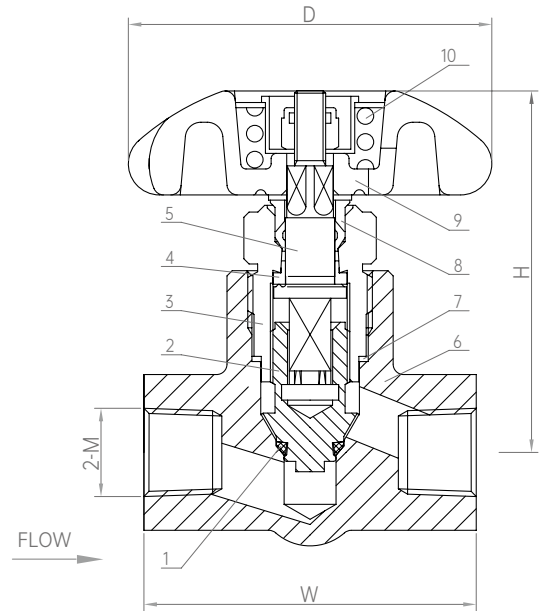
Cryogenic Globe Valve

Parameters

PN: 4.0MPa
DN: Ø10
Design Temp.: -196°C ~+85°C
Media: LNG. LO₂. LN₂. LAr. CO₂



This kind of product has certified by CE, EAC, TS and CCS
Standards: GB/T 24925, EN1626:2008, TR CU 032/2013



Materials

1	Gasket	PCTFE	6	Body	C37700
2	Gate	C36000	7	Washer	T2
3	Gland Nut	C36000	8	Gland	C36000
4	Washer	PTFE	9	Hand Wheel	ZL102
5	Stem	C36000	10	Spring	S30210

Remarks: **DJ-10P.02.xx**



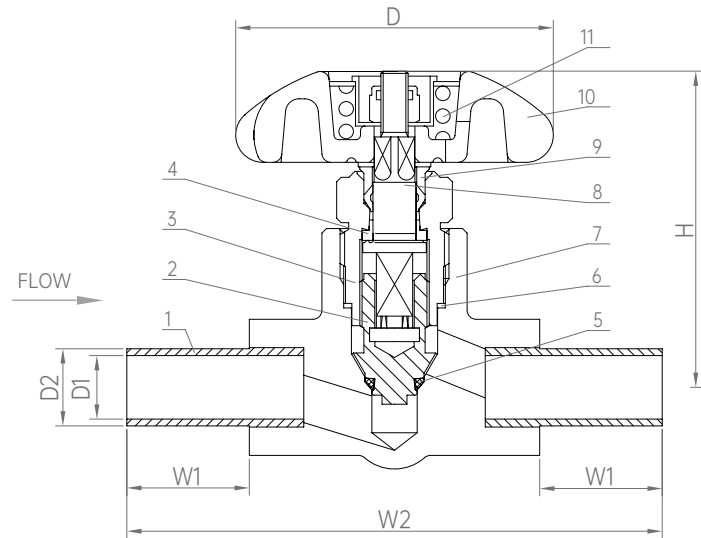
Model No.	Specifications & Dimensions (mm)					Weight(kg)
	D	H	W	M	Cv	
DJ-10P.02.01	Ø70	70	64	NPT 1/4	0.99	
DJ-10P.02.02	Ø70	70	64	NPT 3/8	1.76	
DJ-10P.02.03	Ø70	70	64	NPT 1/2	1.79	



Cryogenic Globe Valve

Parameters

PN: 4.0MPa
DN: Ø10
Design Temp.: -196°C ~+85°C
Media: LNG, LO₂, LN₂, LAr, CO₂

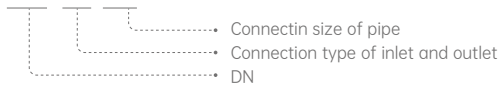


This kind of product has certified by CE, EAC, TS and CCS
Standards: GB/T 24925, EN1626:2008, TR CU 032/2013

Materials

1	Pipe	S30408	5	Gasket	PCTFE	9	Gland	C36000
2	Gate	C36000	6	Washer	T2	10	Hand Wheel	ZL102
3	Gland Nut	C36000	7	Body	C37700	11	Spring	S30210
4	Washer	PTFE	8	Stem	C36000			

Remarks: **DJ-10P.03.xx**



Model No.	Specifications & Dimensions (mm)							Weight(kg)
	D	H	W1	W2	D1	D2	Cv	
DJ-10P.03.01	Ø70	70	27	118	Ø13	Ø17	1.1	
DJ-10P.03.02	Ø70	70	55	174	Ø13	Ø17	1.1	

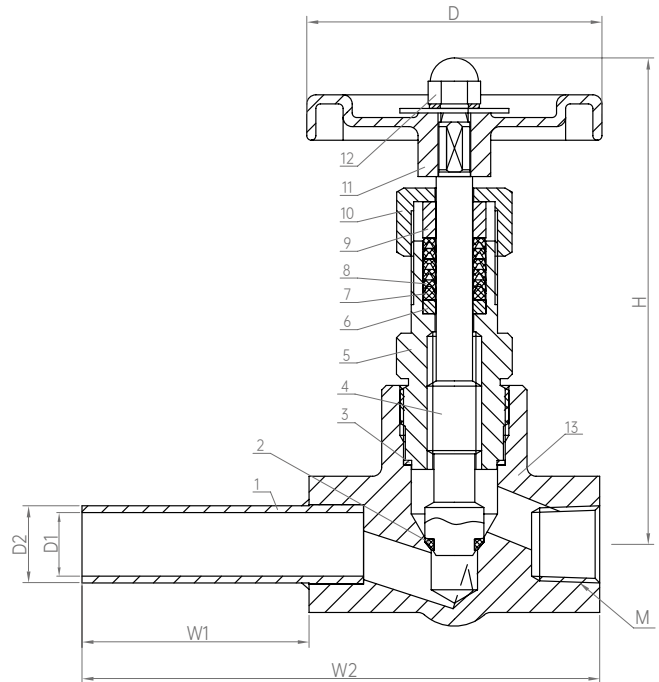
Cryogenic Globe Valve

Parameters

PN: 4.0MPa
DN: Ø10
Design Temp.: -196°C ~+85°C
Media: LNG, LO₂, LN₂, LAr, CO₂



This kind of product has certified by CE, EAC, TS and CCS
Standards: GB/T 24925, EN1626:2008, TR CU 032/2013



Materials

1 Pipe	S30408	6 Washer	C36000	11 Hand Wheel	Y102
2 Gasket	PCTFE	7 Upper Gasket	PTFE	12 Cap Nut	S30408
3 Washer	T2	8 V Ring	PTFE	13 Body	C37700
4 Stem	C36000	9 Gland	C36000		
5 Gland Nut	C36000	10 Gland Nut	C36000		

Remarks: **DJ-10P.21.xx**



Model No.	Specifications & Dimensions (mm)								Weight(kg)
	D	H	W1	W2	M	D1	D2	Cv	
DJ-10P.21.01	Ø70	106	27	91	NPT3/8	Ø13	Ø17	1.10	
DJ-10P.21.02	Ø70	106	50	114	NPT3/8	Ø13	Ø17	1.10	
DJ-10P.21.03	Ø70	106	87	137	NPT3/8	Ø13	Ø17	1.10	



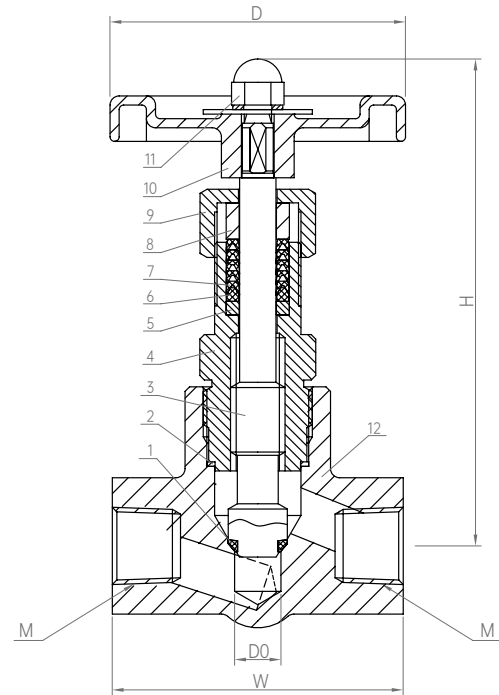
Cryogenic Globe Valve

Parameters

PN: 4.0MPa
DN: Ø10
Design Temp.: -196°C ~+85°C
Media: LNG, LO₂, LN₂, LAr, CO₂



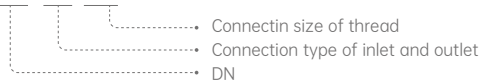
This kind of product has certified by CE, EAC, TS and CCS
Standards: GB/T 24925, EN1626:2008, TR CU 032/2013



Materials

1	Gasket	PCTFE	5	Washer	C36000	9	Gland Nut	C36000
2	Washer	T2	6	Upper Gasket	PTFE	10	Hand Wheel	Y102
3	Stem	C36000	7	V Ring	PTFE	11	Cap Nut	S30408
4	Gland Nut	C36000	8	Gland	C36000	12	Body	C37700

Remarks: **DJ-10P.22.xx**



Model No.	Specifications & Dimensions (mm)						Weight(kg)
	D	H	W	D0	M	Cv	
DJ-10P.22.01	Ø65	106	64	10	NPT 1/4	0.70	
DJ-10P.22.02	Ø65	106	64	10	NPT 3/8	1.10	
DJ-10P.22.03	Ø65	106	64	10	NPT 1/2	1.10	

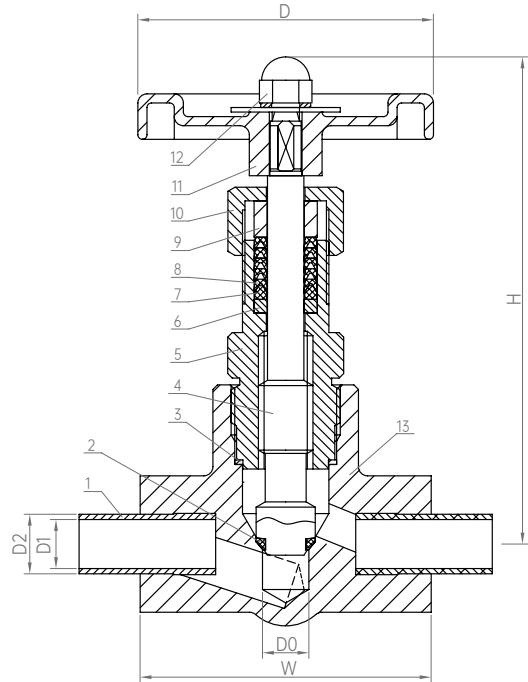
Cryogenic Globe Valve

Parameters

PN: 4.0MPa
DN: Ø10
Design Temp.: -196°C ~+85°C
Media: LNG, LO₂, LN₂, LAr, CO₂



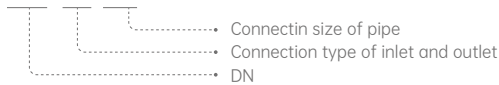
This kind of product has certified by CE, EAC, TS and CCS
Standards: GB/T 24925, EN1626:2008, TR CU 032/2013



Materials

1 Pipe	S30408	6 Washer	C36000	11 Hand Wheel	Y102
2 Gasket	PCTFE	7 Upper Gasket	PTFE	12 Cap Nut	S30408
3 Washer	T2	8 V Ring	PTFE	13 Body	C37700
4 Stem	C36000	9 Gland	C36000		
5 Gland Nut	C36000	10 Gland Nut	C36000		

Remarks: **DJ-10P.23.xx**



Model No.	Specifications & Dimensions (mm)							Weight(kg)
	D	H	W1	W2	D1	D2	Cv	
DJ-10P.23.01	Ø70	106	27	118	Ø13	Ø17	1.10	
DJ-10P.23.02	Ø70	106	55	174	Ø13	Ø17	1.10	



Shanghai Baitu
Cryogenic Valve.Co.,Ltd.

Cryogenic Valve Solutions
Worth Your Trust



Add: Building 5, No.428, Changhong Road, Baoshan District, Shanghai, China

E-mail: sales@baituvalves.com

Website: www.baituvalves.com