

BAITU CRYOGENIC VALVE

Cryogenic Transportation &
Storage Equipment/
LNG Filling Station



Cryogenic Valve Solutions
Worth Your Trust



Shanghai Baitu
Cryogenic Valve.Co.,Ltd.

www.baituvalves.com



Cryogenic Check Valve

www.baituvalves.com

BAITU CRYOGENIC VALVE





Product Contents

Cryogenic Check Valve

DH-10~DH-50 / DH-10Y~DH-50Y	71
DH-10A~DH-50A / DH-15K~DH-50K	72
DH-10NPT~DH-20NPT	73
DH-10L~DH-50L / DH-10YL~DH-50YL	74
DHX-10~DHX-40	75
DH-20F~DH-50F	76
DH-65~DH-100C	77
DH-65B~DH-100B	78
DH65.001~DH100.001	79
DH-150	80
DH-65F~DH-100F	81
H1501	82
DH-10.99.xx~DH-50.99.xx	83
DH-10.99.xx~DH-50.99.xx	84
DDH-10.99.xx~DH-50.99.xx	85
DH-10NPT.99~DH-25NPT.99	86
DHX-15.99~DHX-25.99	87
DH-10.98.xx~DH-50.98.xx	88
DH-10.98.xx~DH-50.98.xx	89
DH-10NPT.98~DH-25NPT.98	90
DH-10.97.xx~DH-50.97.xx	91
DH-10.97.xx~DH-50.97.xx	92
DH-10NPT.97~DH-25NPT.97	93



DH61F-40P

Cryogenic Check Valve Uplift Type

Parameters

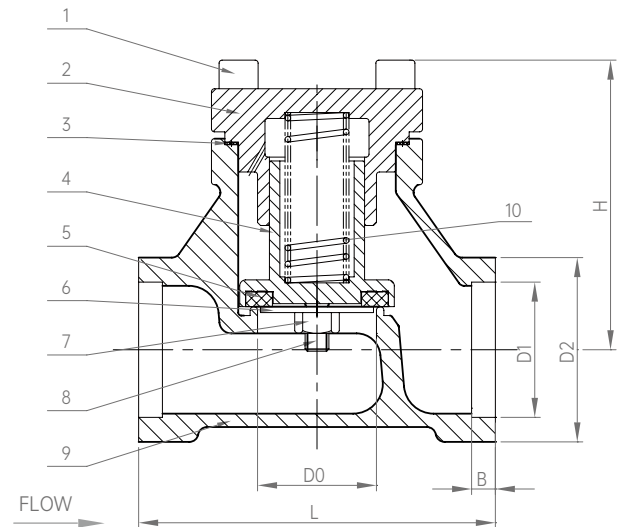
PN: 4.0MPa

DN: Ø10~Ø50

Design Temp.: -196°C ~+80°C

Media: LNG, LO₂, LN₂, LAr

Connection : Socket Weld



This kind of product has certified by CE, EAC, TS and CCS
Standards: GB/T 24925, EN1626:2008, TR CU 032/2013

Materials

1	Hexagon Screw	S30408	5	Disc Sealing	PTFE	8	Split pin	S30408
2	Bonnet	CF8	6	Gasket	S30408	9	Body	CF8
3	Gasket	RPTFE	7	Hexagon Nut	S30408	10	Spring	S30210
4	Disc	S30408						

Model No.	Specifications & Dimensions (mm)						Weight(kg)
	H	L	D0	D1	D2	B	
DH-10	55	60	Ø13	Ø14.5	Ø24	6	
DH-15	62	65	Ø15	Ø18.5	Ø29.5	6	0.7
DH-20	70	80	Ø20	Ø25.5	Ø36	8	1.1
DH-25	77	90	Ø25	Ø32.5	Ø43.5	8	1.4
DH-32	89	105	Ø32	Ø38.5	Ø53	8	2.3
DH-40	98	120	Ø40	Ø45.5	Ø62	8	2.9
DH-50	111	140	Ø50	Ø57.5	Ø72	10	4.4
DH-10Y	55	60	Ø13	Ø17.8	Ø24	6	
DH-15Y	62	65	Ø15	Ø22.2	Ø29.5	6	0.7
DH-20Y	70	80	Ø20	Ø27.7	Ø36	8	1.1
DH-25Y	77	90	Ø25	Ø34.5	Ø43.5	8	1.4
DH-32Y	89	105	Ø32	Ø43.2	Ø53	8	2.3
DH-40Y	98	120	Ø40	Ø49	Ø62	8	2.9
DH-50Y	111	140	Ø50	Ø61.1	Ø72	10	4.5



DH61F-40P

Cryogenic Check Valve Uplift Type

Parameters

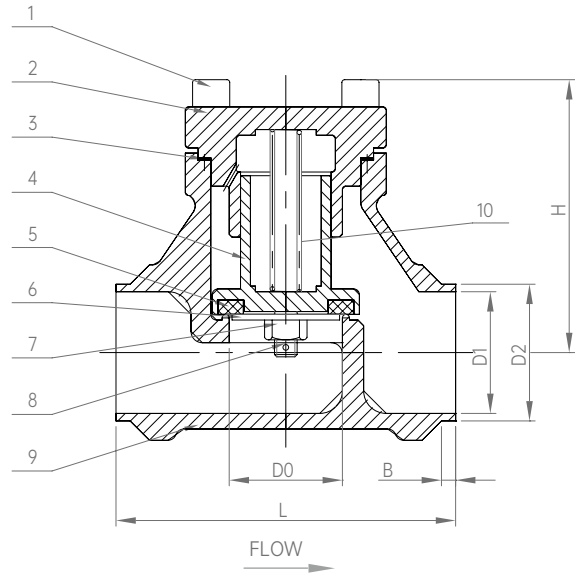
PN: 4.0MPa

DN: Ø10~Ø50

Design Temp.: -196°C ~+80°C

Media: LNG, LO₂, LN₂, LAr.

Connection : Butt Weld



This kind of product has certified by CE, EAC, TS and CCS
Standards: GB/T 24925, EN1626:2008, TR CU 032/2013

Materials

1 Hexagon Screw	S30408	5 Disc Sealing	PTFE	8 Split pin	S30408
2 Bonnet	CF8	6 Gasket	S30408	9 Body	CF8
3 Gasket	RPTFE	7 Hexagon Nut	S30408	10 Spring	S30210
4 Disc	S30408				

Model No.	Specifications & Dimensions (mm)						Weight(kg)
	H	L	D0	D1	D2	B	
DH-10A	55	60	Ø13	Ø13	Ø17	4	
DH-15A	62	65	Ø15	Ø17.08	Ø21.3	5	0.7
DH-20A	70	80	Ø20	Ø22.48	Ø26.7	5	1.1
DH-25A	77	90	Ø25	Ø27.9	Ø33.4	5	1.4
DH-32A	89	105	Ø32	Ø36	Ø42.2	5	2.3
DH-40A	98	120	Ø40	Ø43	Ø48.3	5	2.9
DH-50A	111	140	Ø50	Ø55	Ø60.3	5	4.4
DH-15K	62	65	Ø15	Ø14	Ø18	5	0.7
DH-20K	70	80	Ø20	Ø20	Ø25	5	1.1
DH-25K	77	90	Ø25	Ø27	Ø32	5	1.4
DH-32K	89	105	Ø32	Ø32	Ø38	5	2.3
DH-40K	98	120	Ø40	Ø39	Ø45	5	2.9
DH-50K	111	140	Ø50	Ø51	Ø57	5	4.4

DH11F-40P

Cryogenic Check Valve Uplift Type

Parameters

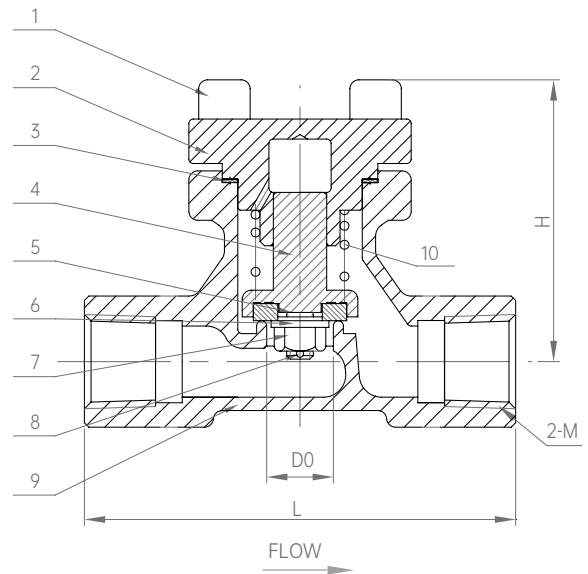
PN: 4.0MPa

DN: Ø10~Ø50

Design Temp.: -196°C ~+80°C

Media: LNG. LO₂. LN₂. LAr

Connection : Thread Connection



This kind of product has certified by CE, EAC, TS and CCS
Standards: GB/T 24925, EN1626:2008, TR CU 032/2013

Materials

1	Hexagon Screw	S30408	6	Gasket	S30408
2	Bonnet	CF8	7	Hexagon Nut	S30408
3	Gasket	RPTFE	8	Split pin	S30408
4	Disc	S30408	9	Body	CF8
5	Disc Sealing	PTFE	10	Spring	S30210

Model No.	Specifications & Dimensions (mm)				Weight(kg)
	H	L	D0	D1	
DH-10NPT	55	60	Ø13	NPT 3/8	
DH-15NPT	62	65	Ø15	NPT 1/2	
DH-20NPT	70	80	Ø20	NPT 3/4	



DH61F-63P

Cryogenic Check Valve Uplift Type

Parameters

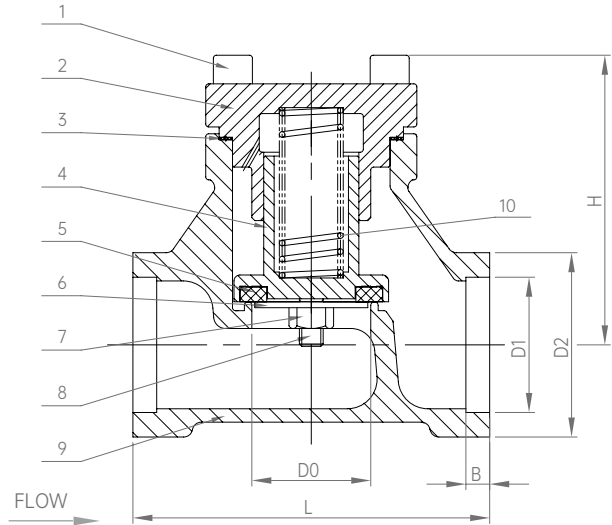
PN: 6.3MPa

DN: Ø10~Ø50

Design Temp.: -196°C ~+80°C

Media: LNG, LO₂, LN₂, LAr.

Connection : Socket Weld



This kind of product has certified by CE, EAC, TS and CCS
Standards: GB/T 24925, EN1626:2008, TR CU 032/2013

Materials

1 Hexagon Screw	S30408	5 Disc Sealing	PTFE	8 Split Pin	S30408
2 Bonnet	CF8	6 Gasket	S30408	9 Body	CF8
3 Gasket	RPTFE	7 Hexagon Nut	S30408	10 Spring	S30210
4 Disc	S30408				

Model No.	Specifications & Dimensions (mm)						Weight(kg)
	H	L	D0	D1	D2	B	
DH-10L	55	60	Ø13	Ø14.5	Ø24	6	
DH-15L	62	65	Ø15	Ø18.5	Ø29.5	6	
DH-20L	70	80	Ø20	Ø25.5	Ø36	8	
DH-25L	77	90	Ø25	Ø32.5	Ø43.5	8	
DH-32L	89	105	Ø32	Ø38.5	Ø53	8	
DH-40L	98	120	Ø40	Ø45.5	Ø62	8	
DH-50L	111	140	Ø50	Ø57.5	Ø72	10	
DH-10YL	55	60	Ø13	Ø17.8	Ø24	6	
DH-15YL	62	65	Ø15	Ø22.2	Ø29.5	6	
DH-20YL	70	80	Ø20	Ø27.7	Ø36	8	
DH-25YL	77	90	Ø25	Ø34.5	Ø43.5	8	
DH-32YL	89	105	Ø32	Ø43.2	Ø53	8	
DH-40YL	98	120	Ø40	Ø49	Ø62	8	
DH-50YL	111	140	Ø50	Ø61.1	Ø72	10	

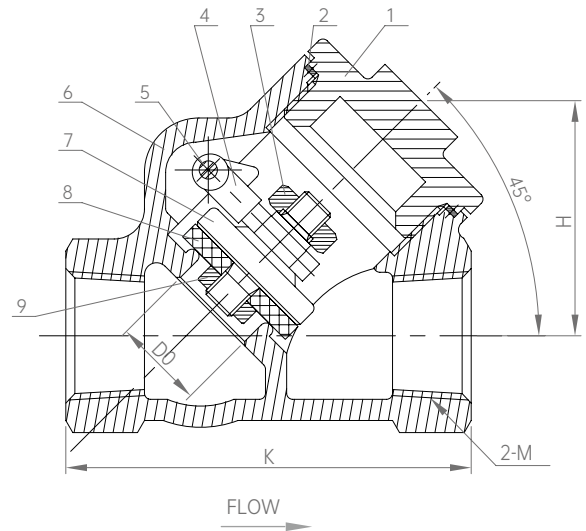
DH14F-40P

Cryogenic Check Valve Swing Type

Parameters

PN: 4.0MPa
DN: Ø10~Ø50
Design Temp.: -196°C ~+80°C
Media: LNG, LO₂, LN₂, LAr

Connection : Thread Connection



This kind of product has certified by CE, EAC, TS and CCS
Standards: GB/T 24925, EN1626:2008, TR CU 032/2013

Materials

1	Bonnet	CF8	6	Body	CF8
2	Gasket	T2	7	Disc	HPb59-1
3	Nut	HPb59-1	8	Gasket	PTFE
4	Rolling Bar	HPb59-1	9	Nut	HPb59-1
5	Round Pin	S30408			

Model No.	Specifications & Dimensions (mm)				Weight(kg)
	H	L	D0	D1	
DHX-10	54	Ø15	34.5	NPT 3/8	
DHX-15	67	Ø15	39	NPT 1/2	0.8
DHX-25	95	Ø25	54	NPT 1	0.9
DHX-40	137	Ø40	79	NPT 1 1/2	1.8



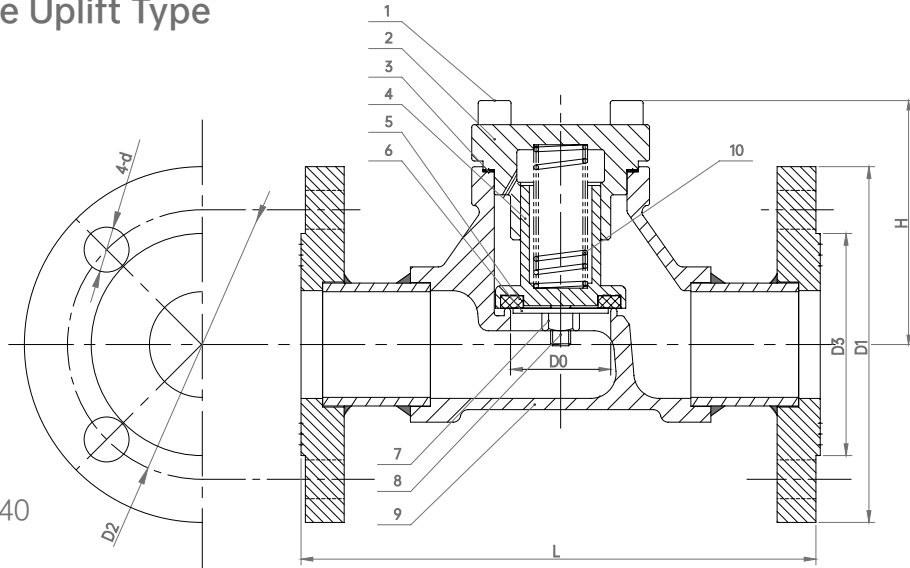
DH41F-63P

Cryogenic Check Valve Uplift Type

Parameters

PN: 6.3MPa
DN: Ø10~Ø50
Design Temp.: -196°C ~+80°C
Media: LNG, LO₂, LN₂, LAr.

Connection :
Flanged connection with PN 40



This kind of product has certified by CE, EAC, TS and CCS
Standards: GB/T 24925, EN1626:2008, TR CU 032/2013

Materials

1 Hexagon Screw	S30408	5 Disc Sealing	PTFE	8 Split Pin	S30408
2 Bonnet	CF8	6 Gasket	S30408	9 Body	CF8
3 Gasket	RPTFE	7 Hexagon Nut	S30408	10 Spring	S30210
4 Disc	S30408				

Model No.	Specifications & Dimensions (mm)							Weight(kg)
	H	D0	D1	D2	D3	d	L	
DH-20F	70	Ø20	Ø105	Ø75	Ø58	Ø14	154	
DH-25F	77	Ø25	Ø115	Ø85	Ø68	Ø14	166	
DH-32F	89	Ø32	Ø140	Ø100	Ø78	Ø18	185	
DH-40F	98	Ø40	Ø150	Ø110	Ø88	Ø18	214	
DH-50F	111	Ø50	Ø165	Ø125	Ø102	Ø18	240	

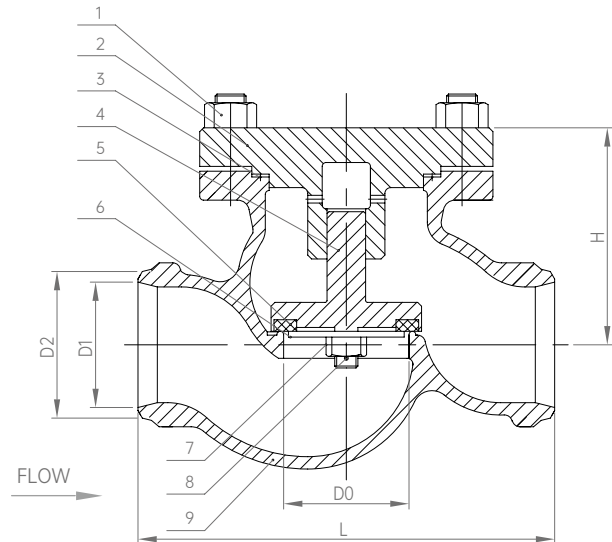
DH61F-40P

Cryogenic Check Valve Uplift Type

Parameters

PN: 4.0MPa
DN: Ø65~Ø100
Design Temp.: -196°C ~+80°C
Media: LNG, LO₂, LN₂, LAr

Connection : Butt Weld



This kind of product has certified by CE, EAC, TS and CCS
Standards: GB/T 24925, EN1626:2008, TR CU 032/2013

Materials

1	Hexagon Screw	S30408	6	Gasket	S30408
2	Bonnet	CF8	7	Hexagon Nut	S30408
3	Gasket	RPTFE	8	Split Pin	S30408
4	Disc	S30408	9	Body	CF8
5	Disc Sealing	PTFE			

Model No.	Specifications & Dimensions (mm)					Weight(kg)
	H	L	D0	D1	D2	
DH-65	112	216	Ø65	Ø70	Ø76	10.0
DH-80	118	241	Ø80	Ø81	Ø89	13.9
DH-100	138	292	Ø100	Ø100	Ø108	
DH-100C	138	275	Ø100	Ø106.3	Ø114.3	



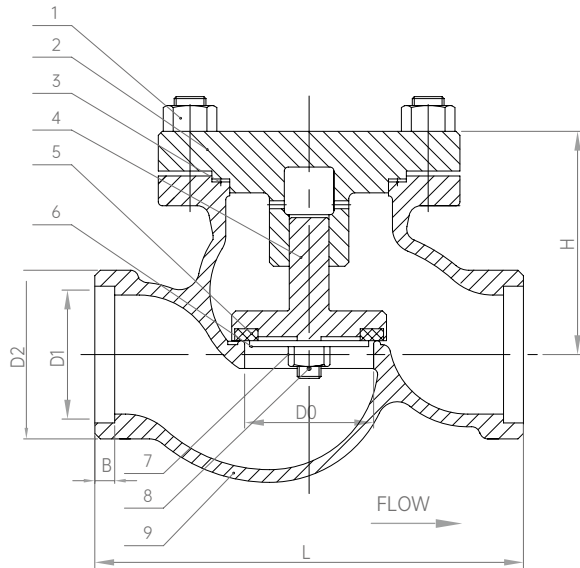
DH61F-40P

Cryogenic Check Valve Uplift Type

Parameters

PN: 4.0MPa
DN: Ø65~Ø100
Design Temp.: -196°C ~+80°C
Media: LNG, LO₂, LN₂, LAr.

Connection : Socket Weld



This kind of product has certified by CE, EAC, TS and CCS
Standards: GB/T 24925, TR CU 032/2013

Materials

1	Hexagon Screw	S30408	6	Gasket	S30408
2	Bonnet	CF8	7	Hexagon Nut	S30408
3	Gasket	RPTFE	8	Split Pin	S30408
4	Disc	S30408	9	Body	CF8
5	Disc Sealing	PTFE			

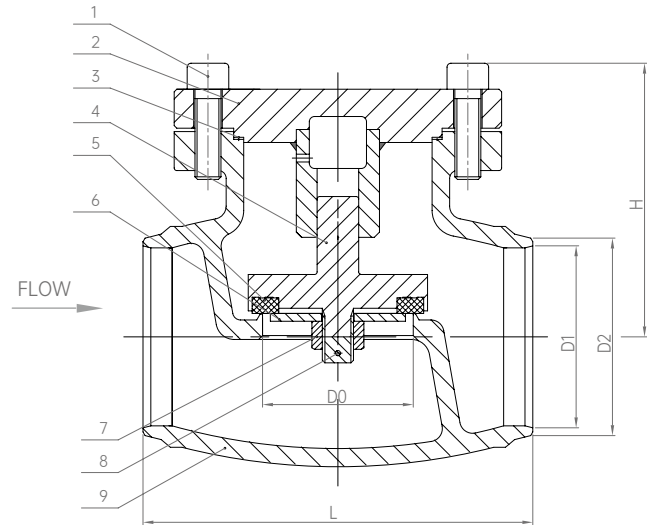
Model No.	Specifications & Dimensions (mm)						Weight(kg)
	H	L	D0	D1	D2	B	
DH-65B	112	216	Ø65	Ø76.5	Ø85	15	10
DH-80B	118	241	Ø80	Ø89.5	Ø103	15	13.9
DH-100B	138	292	Ø100	Ø108.5	Ø120	15	

DH61F-40P

Cryogenic Check Valve Uplift Type

Parameters

PN: 4.0MPa
 DN: Ø65~Ø100
 Design Temp.: -196°C ~+80°C
 Media: LNG. LO₂. LN₂. LAr
 Connection : Butt Weld



This kind of product has certified by CE, EAC, TS and CCS
 Standards: GB/T 24925, EN1626:2008, TR CU 032/2013

Materials

1	Hexagon Screw	S30408	6	Gasket	S30408
2	Bonnet	CF8	7	Hexagon Nut	S30408
3	Gasket	RPTFE	8	Split Pin	S30408
4	Disc	S30408	9	Body	CF8
5	Disc Sealing	PTFE			

Model No.	Specifications & Dimensions (mm)					Weight(kg)
	H	L	D0	D1	D2	
DH65.001	105	150	Ø58	Ø70	Ø76	
DH80.001	125	182	Ø72	Ø81	Ø89	9.1
DH100.001	150	226	Ø90	Ø100	Ø108	



DH61F-40P

Cryogenic Check Valve Uplift Type

Parameters

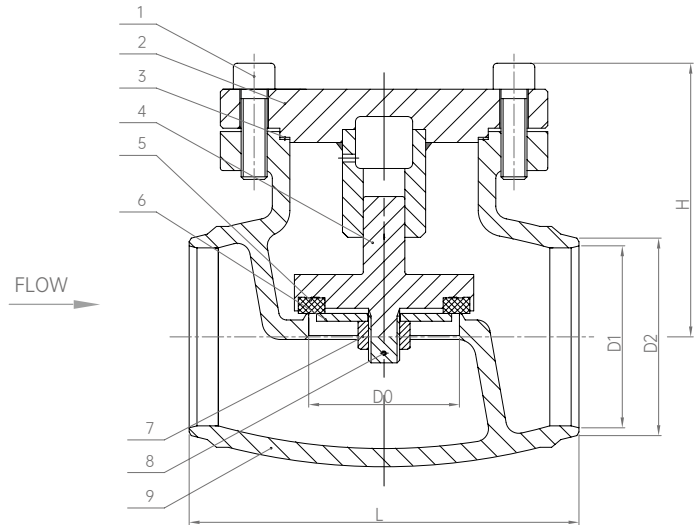
PN: 4.0MPa

DN: Ø150

Design Temp.: -196°C ~+80°C

Media: LNG, LO₂, LN₂, LAr.

Connection : Butt Weld



This kind of product has certified by CE, EAC, TS and CCS
Standards: GB/T 24925, TR CU 032/2013

Materials

1	Hexagon Screw	S30408	6	Gasket	S30408
2	Bonnet	CF8	7	Hexagon Nut	S30408
3	Gasket	RPTFE	8	Split Pin	S30408
4	Disc	S30408	9	Body	CF8
5	Disc Sealing	PTFE			

Model No.	Specifications & Dimensions (mm)					Weight(kg)
	H	L	D0	D1	D2	
DH-150	230	317	Ø150	Ø147	Ø159	

DH41F-40P

Cryogenic Check Valve Uplift Type

Parameters

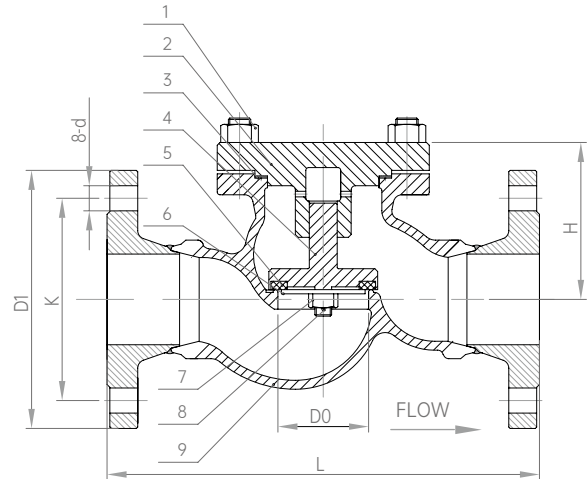
PN: 4.0MPa

DN: Ø65~Ø100

Design Temp.: -196°C ~+80°C

Media: LNG. LO₂. LN₂. LAr

Connection : Flanged connection



This kind of product has certified by CE, EAC, TS and CCS
Standards: GB/T 24925, EN1626:2008, TR CU 032/2013

Materials

1	Hexagon Screw	S30408	6	Gasket	S30408
2	Bonnet	CF8	7	Hexagon Nut	S30408
3	Gasket	RPTFE	8	Split Pin	S30408
4	Disc	S30408	9	Body	CF8
5	Disc Sealing	PTFE			

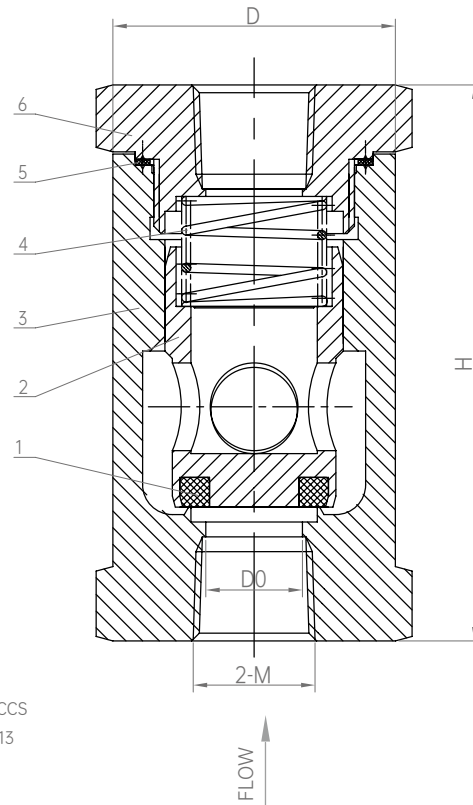
Model No.	Specifications & Dimensions (mm)						Weight(kg)
	H	L	D0	D1	K	d	
DH-65F	112	308	Ø65	Ø185	Ø145	Ø18	
DH-80F	118	345	Ø80	Ø200	Ø160	Ø18	
DH-100F	138	410	Ø100	Ø235	Ø190	Ø18	



Cryogenic Check Valve

Parameters

PN: 4.0MPa
DN: Ø15
Design Temp.: -196°C ~+85°C
Media: LNG. LO₂. LN₂. LAr. CO₂



This kind of product has certified by CE, EAC, TS and CCS
Standards: GB/T 24925, EN1626:2008, TR CU 032/2013

Materials

1	Gasket	PTFE	4	Spring	C51900
2	Disc	C36000	5	Gasket	T2
3	Body	C37700	6	Gland Nut	S36000

Model No.	Specifications & Dimensions (mm)						Weight(kg)
	D	D0	M	H	Cv	Opening pressure(psi)	
H1501	38	17	NPT 1/2	75.5	6.1	1.0	

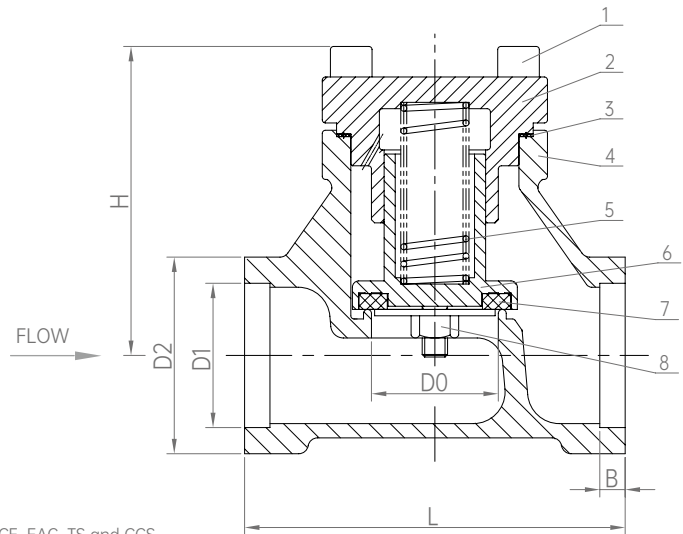
DH61F-40T

Cryogenic Check Valve Uplift Type

Parameters

PN: 4.0MPa
 DN: Ø10~Ø50
 Design Temp.: -196°C ~+80°C
 Media: LNG. LO₂. LN₂. LAr. CO₂

Connection : Socket Weld



This kind of product has certified by CE, EAC, TS and CCS
 Standards: GB/T 24925, EN1626:2008, TR CU 032/2013

Materials

1	Screw	S30408	5	Spring	C51900
2	Bonnet	C37700	6	Disc	C36000
3	Gasket	D#9000	7	Gasket	PTFE
4	Body	B62	8	Nut	C36000

Remarks: **DH-15.99.xx**

01: metric system Socket Weld 03: British system Socket Weld
 Materials of Body and Bonnet : B62
 DN

Model No.	Specifications & Dimensions (mm)								Weight(kg)
	H	L	D0	D1 metric system	D1 British system	D2	B	Cv	
DH-10.99.xx	55	60	13	14.5	17.8	24	6	2.0	
DH-15.99.xx	62	65	15	18.5	21.8	29.5	6	2.7	
DH-20.99.xx	70	80	20	25.5	27.4	36	8	5.5	
DH-25.99.xx	77	90	25	32.5	34.2	43.5	8	8.7	
DH-32.99.xx	89	105	32	38.5	42.9	53	8	15	
DH-40.99.xx	98	120	40	45.5	48.8	62	8	20	
DH-50.99.xx	111	140	50	57.5	60.8	72	10	35	

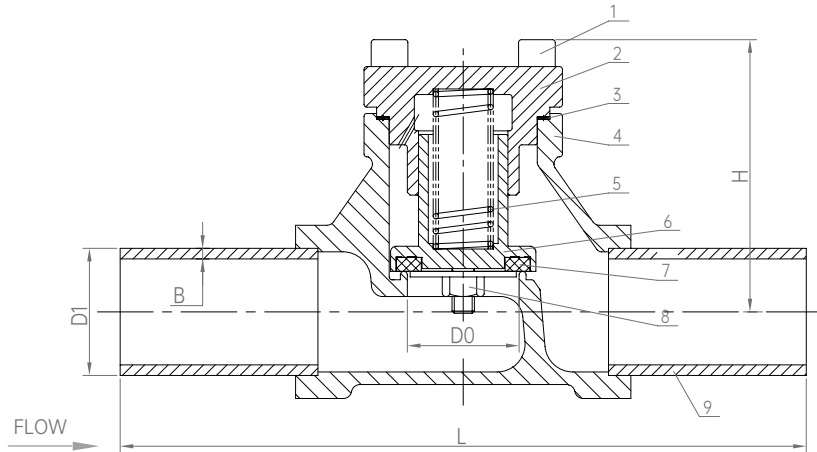


DH61F-40T

Cryogenic Check Valve Uplift Type

Parameters

PN: 4.0MPa
DN: Ø10 ~ Ø50
Design Temp.: -196°C ~ +80°C
Media: LNG, LO₂, LN₂, LAr, CO₂



This kind of product has certified by CE, EAC, TS and CCS
Standards: GB/T 24925, EN1626:2008, TR CU 032/2013

Materials

1	Screw	S30408	4	Body	B62	7	Gasket	PTFE
2	Bonnet	C37700	5	Spring	C30210	8	Nut	C36000
3	Gasket	D#9000	6	Disc	C36000	9	Connecting Pipe	C12200

Remarks: **DH-15.99.xx**

- 05: Brass Pipe(metric system) 07: Brass Pipe(British system)
- Materials of Body and Bonnet : B62
- DN

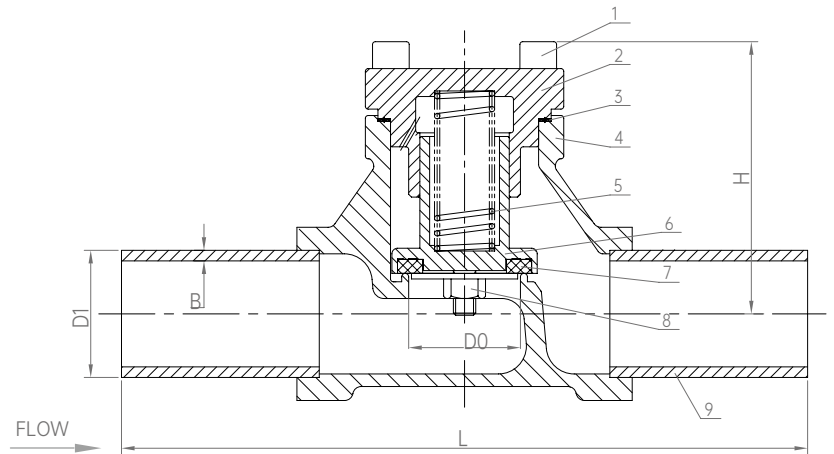
Model No.	Specifications & Dimensions (mm)							Weight(kg)
	H	L	D0	D1 metric system	D1 British system	B	Cv	
DH-10.99.xx	55	360	13	14	17.2	1.0	2.0	
DH-15.99.xx	62	365	15	18	21.3	1.5	2.7	
DH-20.99.xx	70	380	20	25	26.9	1.5	5.5	
DH-25.99.xx	77	390	25	32	33.7	1.5	8.7	
DH-32.99.xx	89	405	32	38	42.4	1.5	15	
DH-40.99.xx	98	420	40	45	48.3	1.5	20	
DH-50.99.xx	111	440	50	57	60.3	2.0	35	

DH61F-40T

Cryogenic Check Valve Uplift Type

Parameters

PN: 4.0MPa
DN: Ø10 ~ Ø50
Design Temp.: -196°C ~ +80°C
Media: LNG, LO₂, LN₂, LAr, CO₂

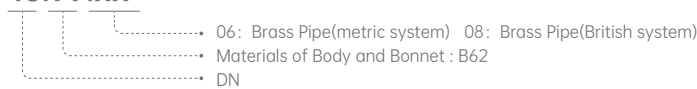


This kind of product has certified by CE, EAC, TS and CCS
Standards: GB/T 24925, EN1626:2008, TR CU 032/2013

Materials

1 Screw	S30408	4 Body	B62	7 Gasket	PTFE
2 Bonnet	C37700	5 Spring	C30210	8 Nut	C36000
3 Gasket	D#9000	6 Disc	C36000	9 Connecting Pipe	S30408

Remarks: **DH-15.99.xx**



Model No.	Specifications & Dimensions (mm)								Weight(kg)
	H	L	D0	D1 metric system	D1 British system	B metric system	B British system	Cv	
DH-10.99.xx	55	210	13	14	17.2	2.5	2.31	2.0	
DH-15.99.xx	62	215	15	18	21.3	2.8	2.77	2.7	
DH-20.99.xx	70	230	20	25	26.9	3.0	2.87	5.5	
DH-25.99.xx	77	240	25	32	33.7	3.5	3.38	8.7	
DH-32.99.xx	89	255	32	38	42.4	3.6	3.56	15	
DH-40.99.xx	98	270	40	45	48.3	3.6	3.68	20	
DH-50.99.xx	111	290	50	57	60.3	4.0	3.91	35	



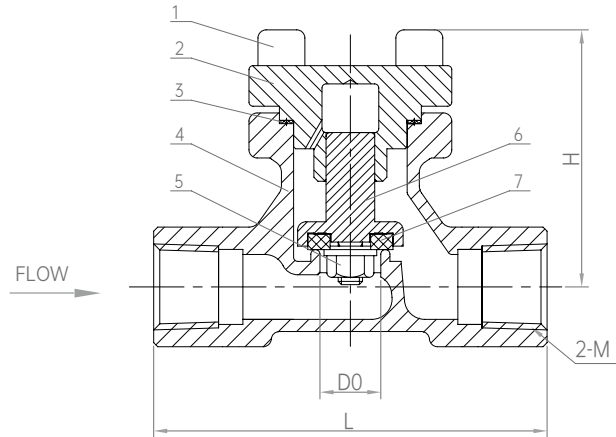
DH11F-40T

Cryogenic Check Valve Uplift Type

Parameters

PN: 4.0MPa
DN: Ø10~Ø25
Design Temp.: -196°C ~+80°C
Media: LNG, LO₂, LN₂, LAr, CO₂

Connection : Socket Weld

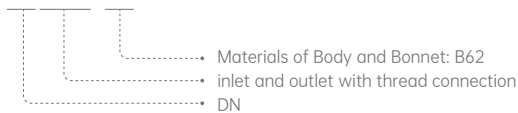


This kind of product has certified by CE, EAC, TS and CCS
Standards: GB/T 24925, EN1626:2008, TR CU 032/2013

Materials

1	Screw	S30408	5	Nut	C36000
2	Bonnet	B62	6	Disc	C37700
3	Gasket	D#9000	7	Gasket	PTFE
4	Body	B62			

Remarks: **DH-15NPT.99**



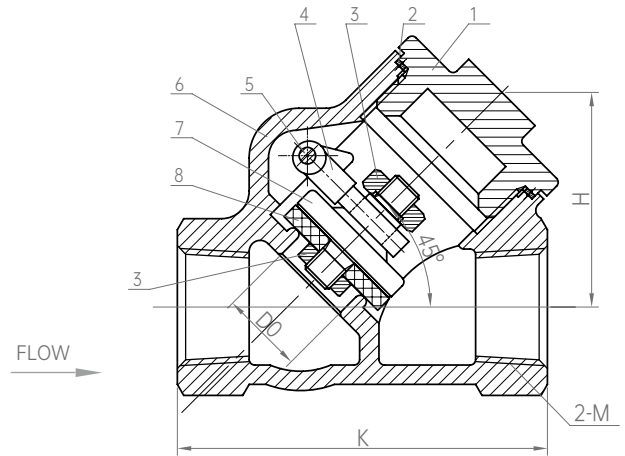
Model No.	Specifications & Dimensions (mm)					Weight(kg)
	H	L	D0	M	Cv	
DH-10NPT.99	55	60	13	NPT 3/8	2.0	
DH-15NPT.99	62	65	15	NPT 1/2	2.7	
DH-20NPT.99	70	80	20	NPT 3/4	5.5	
DH-25NPT.99	77	90	25	NPT 1	8.7	

DH14F-40T

Cryogenic Check Valve Swing Type

Parameters

PN: 4.0MPa
 DN: Ø15 ~ Ø25
 Design Temp.: -196°C ~ +80°C
 Media: LNG, LO₂, LN₂, LAr, CO₂



This kind of product has certified by CE, EAC, TS and CCS
 Standards: GB/T 24925, EN1626:2008, TR CU 032/2013

Materials

1	Bonnet	C37700	5	Central Shaft	S30408
2	Gasket	T2	6	Body	B62
3	Nut	C36000	7	Disc	C36000
4	Rolling Bar	C37700	8	Gasket	PTFE

Model No.	Specifications & Dimensions (mm)					Weight(kg)
	K	D0	H	M	Cv	
DHX-15.99	67	15	39	NPT 1/2	4.5	0.6
DHX-25.99	95	25	54	NPT 1	10	



DH61F-40P

Cryogenic Check Valve Uplift Type

Parameters

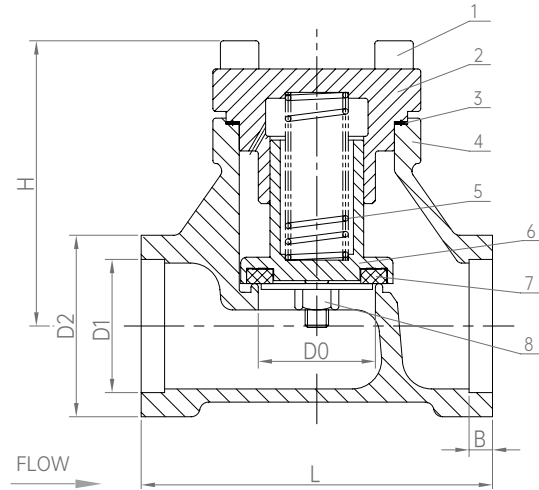
PN: 4.0MPa

DN: Ø10~Ø50

Design Temp.: -196°C ~+80°C

Media: LNG, LO₂, LN₂, LAr, CO₂

Connection : Socket Weld



This kind of product has certified by CE, EAC, TS and CCS
Standards: GB/T 24925, EN1626:2008, TR CU 032/2013

Materials

1	Screw	S30408	5	Spring	S30210
2	Bonnet	CF8	6	Disc	C30408
3	Gasket	D#9000	7	Gasket	PTFE
4	Body	CF8	8	Nut	S30408

Remarks: **DH-15.98.xx**

- 01: metric system Socket Weld 03: British system Socket Weld
- Materials of Body and Bonnet : CF8
- DN

Model No.	Specifications & Dimensions (mm)								Weight(kg)
	H	L	D0	D1 metric system	D1 British system	D2	B	Cv	
DH-10.98.xx	55	60	13	14.5	17.8	24	6	2.0	
DH-15.98.xx	62	65	15	18.5	21.8	29.5	6	2.7	
DH-20.98.xx	70	80	20	25.5	27.4	36	8	5.5	
DH-25.98.xx	77	90	25	32.5	34.2	43.5	8	8.7	
DH-32.98.xx	89	105	32	38.5	42.9	53	8	15	
DH-40.98.xx	98	120	40	45.5	48.8	62	8	20	
DH-50.98.xx	111	140	50	57.5	60.8	72	10	35	

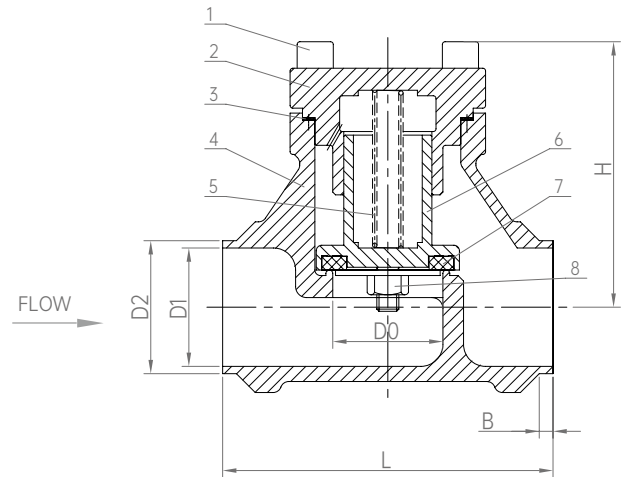
DH61F-40P

Cryogenic Check Valve Uplift Type

Parameters

PN: 4.0MPa
DN: Ø10~Ø50
Design Temp.: -196°C ~+80°C
Media: LNG, LO₂, LN₂, LAr, CO₂

Connection : Butt Weld



This kind of product has certified by CE, EAC, TS and CCS
Standards: GB/T 24925, EN1626:2008, TR CU 032/2013

Materials

1	Screw	S30408		5	Spring	S30210
2	Bonnet	CF8		6	Disc	C30408
3	Gasket	D#9000		7	Gasket	PTFE
4	Body	CF8		8	Nut	S30408

Remarks: DH-15.98.xx

- 02: metric system Butt Weld 04: British system Butt Weld
- Materials of Body and Bonnet : CF8
- DN

Model No.	Specifications & Dimensions (mm)									Weight(kg)
	H	L	D0	D1 metric system	D2 metric system	D1 British system	D2 British system	B	Cv	
DH-10.98.xx	55	60	13	/	/	13	17.2	4	2.0	
DH-15.98.xx	62	65	15	14	18	17.08	21.3	5	2.7	
DH-20.98.xx	70	80	20	20	25	22.48	26.9	5	5.5	
DH-25.98.xx	77	90	25	27	32	27.9	33.7	5	8.7	
DH-32.98.xx	89	105	32	32	38	36	42.4	5	15	
DH-40.98.xx	98	120	40	39	45	43	48.3	5	20	
DH-50.98.xx	111	140	50	51	57	55	60.3	5	35	



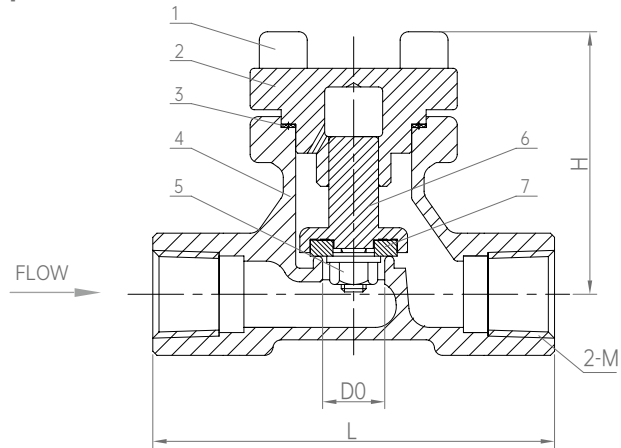
DH11F-40P

Cryogenic Check Valve Uplift Type

Parameters

PN: 4.0MPa
DN: Ø10~Ø25
Design Temp.: -196°C ~+80°C
Media: LNG, LO₂, LN₂, LAr, CO₂

Connection : Thread Connection

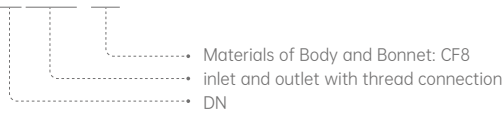


This kind of product has certified by CE, EAC, TS and CCS
Standards: GB/T 24925, EN1626:2008, TR CU 032/2013

Materials

1	Screw	S30408	5	Nut	S30408
2	Bonnet	CF8	6	Disc	S30408
3	Gasket	D#9000	7	Gasket	PTFE
4	Body	CF8			

Remarks: **DH-15NPT.98**



Model No.	Specifications & Dimensions (mm)					Weight(kg)
	H	L	D0	M	Cv	
DH-10NPT.98	55	60	13	NPT 3/8	2.0	
DH-15NPT.98	62	65	15	NPT 1/2	2.7	
DH-20NPT.98	70	80	20	NPT 3/4	5.5	
DH-25NPT.98	77	90	25	NPT 1	8.7	

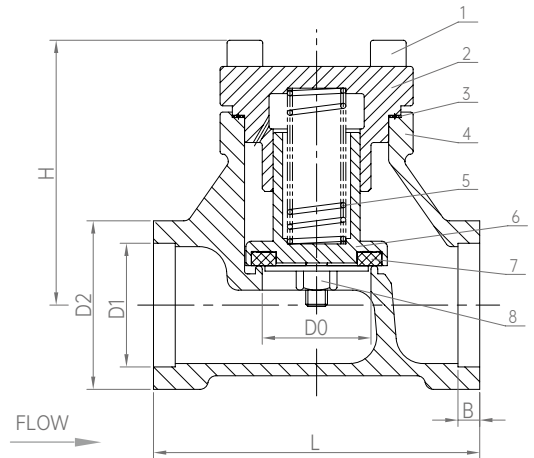
DH61F-40P

Cryogenic Check Valve Uplift Type

Parameters

PN: 4.0MPa
 DN: Ø10~Ø50
 Design Temp.: -196°C ~+80°C
 Media: LNG. LO₂. LN₂. LAr. CO₂

Connection : Socket Weld



This kind of product has certified by CE, EAC, TS and CCS
 Standards: GB/T 24925, EN1626:2008, TR CU 032/2013

Materials

1	Screw	S30408	5	Spring	C30210
2	Bonnet	C37700	6	Disc	C36000
3	Gasket	D#9000	7	Gasket	PTFE
4	Body	CF8	8	Nut	S36000

Remarks: DH-15.97.xx

01: metric system Socket Weld 03: British system Socket Weld
 Materials of Body : CF8
 DN

Model No.	Specifications & Dimensions (mm)								Weight(kg)
	H	L	D0	D1 metric system	D1 British system	D2	B	Cv	
DH-10.97.xx	55	60	13	14.5	17.8	24	6	2.0	
DH-15.97.xx	62	65	15	18.5	21.8	29.5	6	2.7	
DH-20.97.xx	70	80	20	25.5	27.4	36	8	5.5	
DH-25.97.xx	77	90	25	32.5	34.2	43.5	8	8.7	
DH-32.97.xx	89	105	32	38.5	42.9	53	8	15	
DH-40.97.xx	98	120	40	45.5	48.8	62	8	20	
DH-50.97.xx	111	140	50	57.5	60.8	72	10	35	



DH61F-40P

Cryogenic Check Valve Uplift Type

Parameters

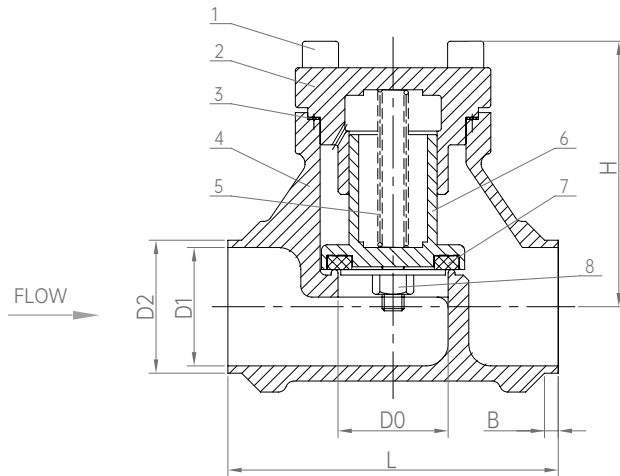
PN: 4.0MPa

DN: Ø10~Ø50

Design Temp.: -196°C ~+80°C

Media: LNG. LO₂. LN₂. LAr. CO₂

Connection : Butt Weld

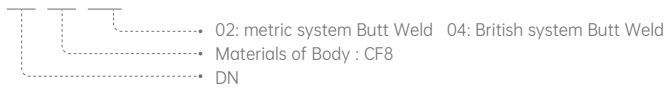


This kind of product has certified by CE, EAC, TS and CCS
Standards: GB/T 24925, EN1626:2008, TR CU 032/2013

Materials

1	Screw	S30408	5	Spring	C30210
2	Bonnet	C37700	6	Disc	C36000
3	Gasket	D#9000	7	Gasket	PTFE
4	Body	CF8	8	Nut	S36000

Remarks: **DH-15.97.xx**



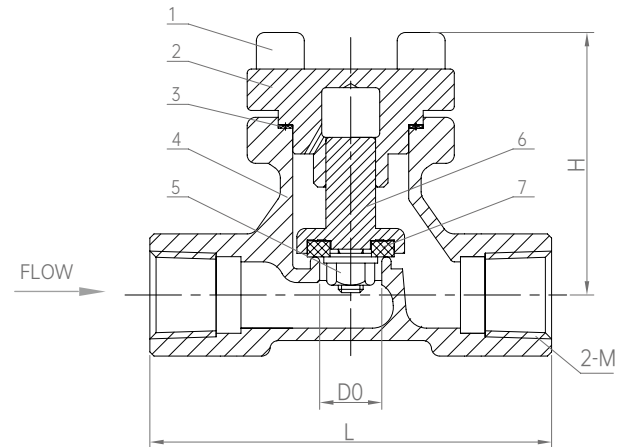
Model No.	Specifications & Dimensions (mm)									Weight(kg)
	H	L	D0	D1 metric system	D2 metric system	D1 British system	D2 British system	B	Cv	
DH-10.97.xx	55	60	13			13	17.2	4	2.0	
DH-15.97.xx	62	65	15	14	18	17.08	21.3	5	2.7	
DH-20.97.xx	70	80	20	20	25	22.48	26.9	5	5.5	
DH-25.97.xx	77	90	25	27	32	27.9	33.7	5	8.7	
DH-32.97.xx	89	105	32	32	38	36	42.4	5	15	
DH-40.97.xx	98	120	40	39	45	43	48.3	5	20	
DH-50.97.xx	111	140	50	51	57	55	60.3	5	35	

DH11F-40P

Cryogenic Check Valve Uplift Type

Parameters

PN: 4.0MPa
DN: Ø10~Ø25
Design Temp.: -196°C ~+80°C
Media: LNG. LO₂. LN₂. LAr. CO₂

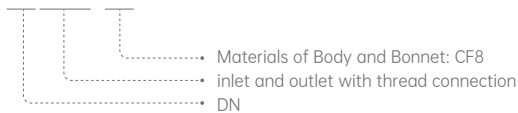


This kind of product has certified by CE, EAC, TS and CCS
Standards: GB/T 24925, EN1626:2008, TR CU 032/2013

Materials

1	Screw	S30408	5	Nut	S36000
2	Bonnet	C37700	6	Disc	S36000
3	Gasket	D#9000	7	Gasket	PTFE
4	Body	CF8			

Remarks: **DH-15NPT.97**



Model No.	Specifications & Dimensions (mm)					Weight(kg)
	H	L	D0	M	Cv	
DH-10NPT.97	55	60	13	NPT 3/8	2.0	
DH-15NPT.97	62	65	15	NPT 1/2	2.7	
DH-20NPT.97	70	80	20	NPT 3/4	5.5	
DH-25NPT.97	77	90	25	NPT 1	8.7	



Shanghai Baitu
Cryogenic Valve.Co.,Ltd.

Cryogenic Valve Solutions
Worth Your Trust



Add: Building 5, No.428, Changhong Road, Baoshan District, Shanghai, China

E-mail: sales@baituvalves.com

Website: www.baituvalves.com