

BAITU CRYOGENIC VALVE

Cryogenic Transportation &
Storage Equipment/
LNG Filling Station



Cryogenic Valve Solutions
Worth Your Trust



Shanghai Baitu
Cryogenic Valve.Co.,Ltd.

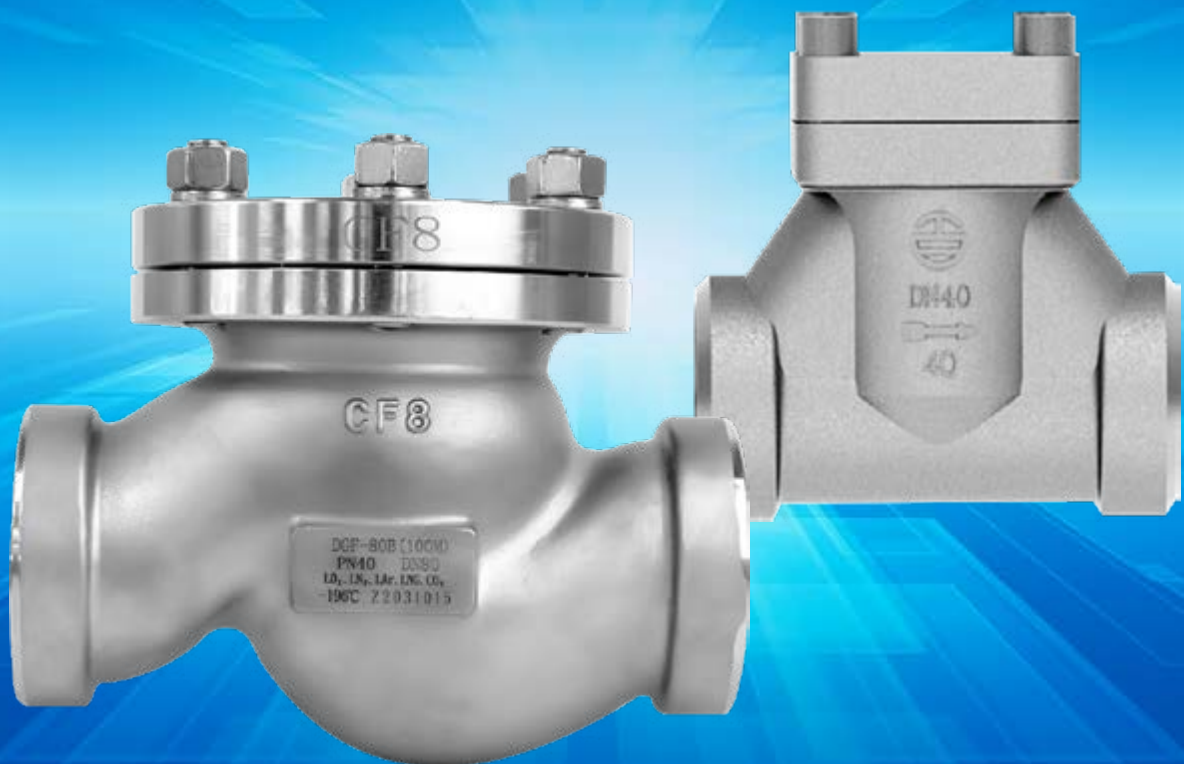
www.baituvalves.com



Cryogenic Strainer Valve

www.baituvalves.com

BAITU CRYOGENIC VALVE





Product Contents

Cryogenic Strainer Valve

DGF-10~DGF-50 / DGF-10Y~DGF-50Y	202
DGF-10A~DGF-50A / DGF-15K~DGF-50K	203
DGF-10L~DGF-50L / DGF-10YL~DGF-50YL	204
DGF-10NPT~DGF-25NPT	205
DGF-15B~DGF-25B	206
DGF-65~DGF-100	207
DGF-65B~DGF-100B	208
DGF-15F~DGF-50F	209
DGF-10.99.xx~DGF-50.99.xx	210
DGF-10.99.xx~DGF-50.99.xx	211
DGF-10.99.xx~DGF-50.99.xx	212
DGF-10NPT.99~DGF-25NPT.99	213
DGF-15B.99	214
DGF-25.99.05A	215
DGF-25.99.05B	216
DGF-10.98.xx~DGF-50.98.xx	217
DGF-10.98.xx~DGF-50.98.xx	218
DGF-10NPT.98~DGF-25NPT.98	219
DGF-10.97.xx~DGF-50.97.xx	220
DGF-10.97.xx~DGF-50.97.xx	221
DGF-10NPT.97~DGF-25NPT.97	222





Cryogenic Strainer Valve

Parameters

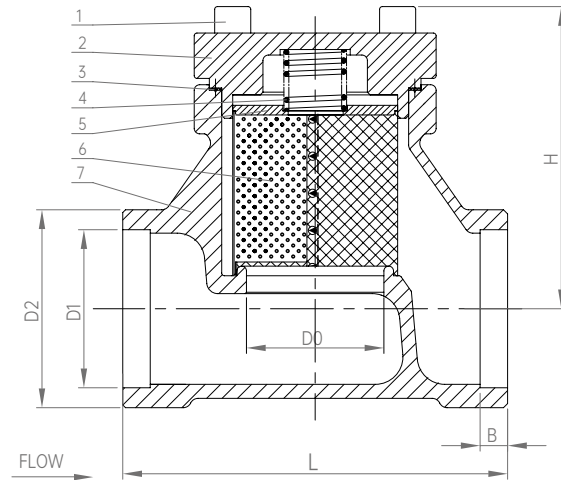
PN: 4.0MPa

DN: Ø10 ~ Ø50

Design Temp.: -196°C ~ +80°C

Media: LNG, LO₂, LN₂, LAr

Connection: Socket Weld



This kind of product has certified by CE, EAC, TS and CCS
Standards: GB/T 24925, EN1626:2008, TR CU 032/2013

Materials

1 Hexagon Screw	S30408	4 Spring of Gland Nut	S30210	7 Body	CF8
2 Bonnet	CF8	5 Spring Pad	S30408		
3 Gasket	RPTFE	6 Filter Assembly	S30408		

Model No.	Specifications & Dimensions (mm)						Weight(kg)
	H	L	D0	D1	D2	B	
DGF-10	55	60	Ø13	Ø14.5	Ø24	6	
DGF-15	62	65	Ø15	Ø18.5	Ø29.5	6	0.7
DGF-20	70	80	Ø20	Ø25.5	Ø36	8	
DGF-25	77	90	Ø25	Ø32.5	Ø43.5	8	1.2
DGF-32	89	105	Ø32	Ø38.5	Ø53	8	
DGF-40	98	120	Ø40	Ø45.5	Ø62	8	
DGF-50	111	140	Ø50	Ø57.5	Ø72	10	4
DGF-10Y	55	60	Ø13	Ø14.5	Ø24	6	
DGF-15Y	62	65	Ø15	Ø18.5	Ø29.5	6	0.7
DGF-20Y	70	80	Ø20	Ø25.5	Ø36	8	
DGF-25Y	77	90	Ø25	Ø32.5	Ø43.5	8	1.2
DGF-32Y	89	105	Ø32	Ø38.5	Ø53	8	
DGF-40Y	98	120	Ø40	Ø45.5	Ø62	8	
DGF-50Y	111	140	Ø50	Ø57.5	Ø72	10	4

Remarks:

There are three kinds of filters with 100 meshes, 150 meshes and 200 meshes.

The model No. is DGF-XX(XXX), and DGF-XX is the main model while (XXX) is the filter model.

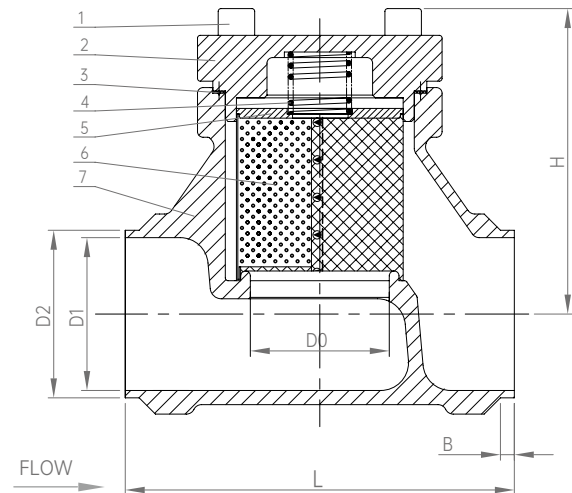
For example, if you need the cryogenic strainer valve with the size of 3/8" and 150 meshes, the model should be DGF-10(150M).

Cryogenic Strainer Valve

Parameters

PN: 4.0MPa
DN: Ø10 ~ Ø50
Design Temp.: -196°C ~+80°C
Media: LNG, LO₂, LN₂, LAr

Connection: Butt Weld



This kind of product has certified by CE, EAC, TS and CCS
Standards: GB/T 24925, EN1626:2008, TR CU 032/2013

Materials

1 Hexagon Screw	S30408	4 Spring of Gland Nut	S30210	7 Body	CF8
2 Bonnet	CF8	5 Spring Pad	S30408		
3 Gasket	RPTFE	6 Filter Assembly	S30408		

Model No.	Specifications & Dimensions (mm)						Weight(kg)
	H	L	D0	D1	D2	B	
DGF-10A	55	60	Ø13	Ø13	Ø17	4	
DGF-15A	62	65	Ø15	Ø17.08	Ø21.3	5	
DGF-20A	70	80	Ø20	Ø22.48	Ø26.7	5	
DGF-25A	77	90	Ø25	Ø27.9	Ø33.4	5	
DGF-32A	89	105	Ø32	Ø36	Ø42.2	5	
DGF-40A	98	120	Ø40	Ø43	Ø48.3	5	
DGF-50A	111	140	Ø50	Ø55	Ø60.3	5	
DGF-15K	62	65	Ø15	Ø14	Ø18	5	
DGF-20K	70	80	Ø20	Ø20	Ø25	5	
DGF-25K	77	90	Ø25	Ø27	Ø32	5	
DGF-32K	89	105	Ø32	Ø32	Ø38	5	
DGF-40K	98	120	Ø40	Ø39	Ø45	5	
DGF-50K	111	140	Ø50	Ø51	Ø57	5	

Remarks:

There are three kinds of filters with 100 meshes, 150 meshes and 200 meshes.
The model No. is DGF-XXA (XXX) , and DGF-XXA is the main model while (XXX) is the filter model.
For example, if you need the cryogenic strainer valve with the size of 3/8" and 150 meshes, the model should be DGF-10A (150M) .



Cryogenic Strainer Valve

Parameters

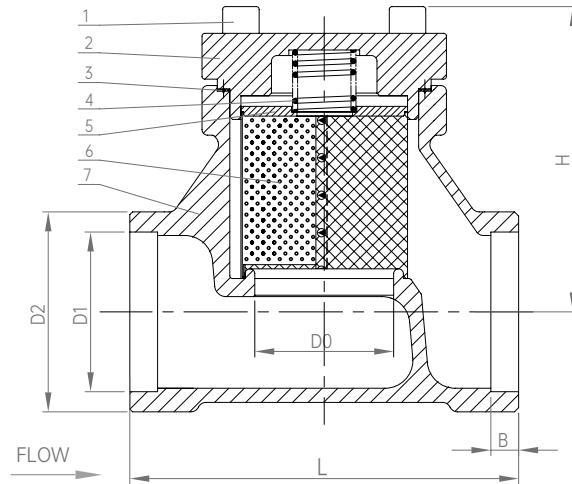
PN: 6.3MPa

DN: Ø10 ~ Ø50

Design Temp.: -196°C ~ +80°C

Media: LNG, LO₂, LN₂, LAr

Connection: Socket Weld



This kind of product has certified by CE, EAC, TS and CCS
Standards: GB/T 29026, EN1626:2008, TR CU 032/2013

Materials

1 Hexagon Screw	S30408	4 Spring of Gland Nut	S30210	7 Body	CF8
2 Bonnet	CF8	5 Spring Pad	S30408		
3 Gasket	RPTFE	6 Filter Assembly	S30408		

Model No.	Specifications & Dimensions (mm)						Weight(kg)
	H	L	D0	D1	D2	B	
DGF-10L	55	60	Ø13	Ø14.5	Ø24	6	
DGF-15L	62	65	Ø15	Ø18.5	Ø29.5	6	
DGF-20L	70	80	Ø20	Ø25.5	Ø36	8	
DGF-25L	77	90	Ø25	Ø32.5	Ø43.5	8	
DGF-32L	89	105	Ø32	Ø38.5	Ø53	8	
DGF-40L	98	120	Ø40	Ø45.5	Ø62	8	
DGF-50L	111	140	Ø50	Ø57.5	Ø72	10	
DGF-10YL	55	60	Ø13	Ø14.5	Ø24	6	
DGF-15YL	62	65	Ø15	Ø18.5	Ø29.5	6	
DGF-20YL	70	80	Ø20	Ø25.5	Ø36	8	
DGF-25YL	77	90	Ø25	Ø32.5	Ø43.5	8	
DGF-32YL	89	105	Ø32	Ø38.5	Ø53	8	
DGF-40YL	98	120	Ø40	Ø45.5	Ø62	8	
DGF-50YL	111	140	Ø50	Ø57.5	Ø72	10	

Remarks:

There are three kinds of filters with 100 meshes, 150 meshes and 200 meshes.

The model No. is DGF-XXL (XXX) , and DGF-XXL is the main model while (XXX) is the filter model.

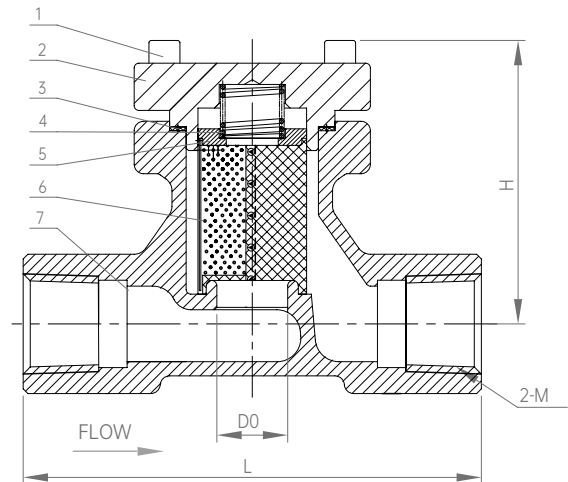
For example, if you need the cryogenic strainer valve with the size of 3/8" and 150 meshes, the model should be DGF-10L (150M) .

Cryogenic Strainer Valve

Parameters

PN: 4.0MPa
DN: Ø10 ~ Ø50
Design Temp.: -196°C ~+80°C
Media: LNG, LO₂, LN₂, LAr

Connection: Thread Connection



This kind of product has certified by CE, EAC, TS and CCS
Standards: GB/T 24925, EN1626:2008, TR CU 032/2013

Materials

1 Hexagon Screw	S30408	4 Spring of Gland Nut	S30210	7 Body	CF8
2 Bonnet	CF8	5 Spring Pad	S30408		
3 Gasket	RPTFE	6 Filter Assembly	S30408		

Model No.	Specifications & Dimensions (mm)				Weight(kg)
	H	L	D0	D1	
DGF-10NPT	55	60	Ø13	NPT 3/8	
DGF-15NPT	62	65	Ø15	NPT 1/2	
DGF-20NPT	70	80	Ø20	NPT 3/4	
DGF-25NPT	77	90	Ø25	NPT 1	

Remarks:

There are three kinds of filters with 100 meshes, 150 meshes and 200 meshes.
The model No. is DGF-XXNPT (XXX) , and DGF-XXNPT is the main model while (XXX) is the filter model.
For example, if you need the cryogenic strainer valve with the size of 3/8" and 150 meshes, the model should be DGF-10NPT (150M) .

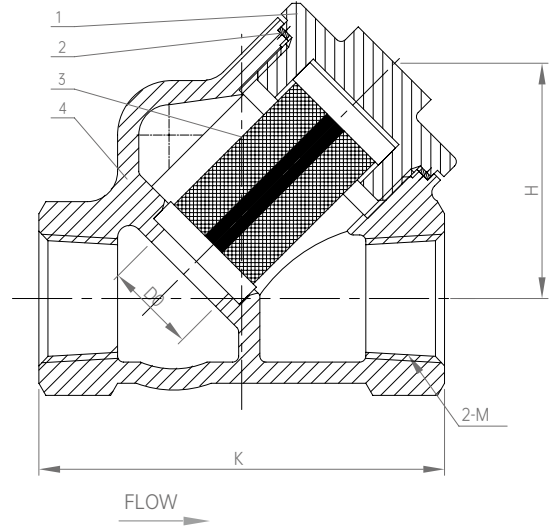


Cryogenic Strainer Valve

Parameters

PN: 4.0MPa
DN: Ø10 ~ Ø50
Design Temp.: -196°C ~ +80°C
Media: LNG, LO₂, LN₂, LAr

Connection: Thread Connection



This kind of product has certified by CE, EAC, TS and CCS
Standards: GB/T 24925, EN1626:2008, TR CU 032/2013

Materials

1 Bonnet	CF8	3 Filter Assembly	H62
2 Gasket	T2	4 Body	CF8

Model No.	Specifications & Dimensions (mm)				Weight(kg)
	H	K	D0	M	
DGF-15B	39	67	Ø15	NPT 1/2	
DGF-25B	54	95	Ø25	NPT 1	

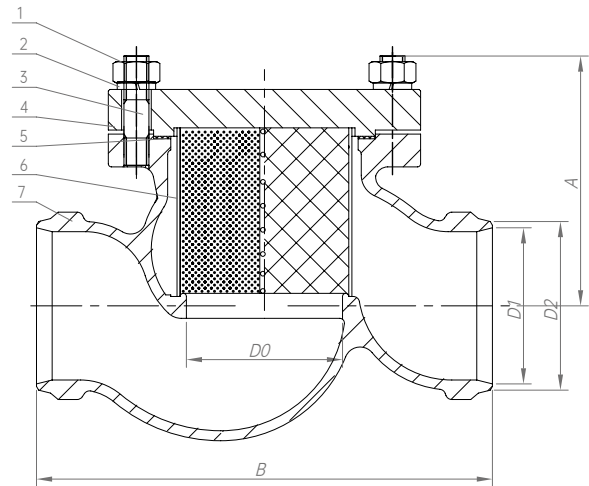
Remarks:

There are three kinds of filters with 100 meshes, 150 meshes and 200 meshes.
The model No. is DGF-XXB (XXX) , and DGF-XXB is the main model while (XXX) is the filter model.
For example, if you need the cryogenic strainer valve with the size of 1/2" and 150 meshes, the model should be DGF-15B(150M).

Cryogenic Strainer Valve

Parameters

PN: 4.0MPa
 DN: Ø65 ~ Ø100
 Design Temp.: -196°C ~ +80°C
 Media: LNG, LO₂, LN₂, LAr
 Connection: Butt Weld



This kind of product has certified by CE, EAC, TS and CCS
 Standards: GB/T 24925, EN1626:2008, TR CU 032/2013

Materials

1 Hexagon Nut	S30408	4 Bonnet	S30408	7 Body	CF8
2 Spring Washer	S30408	5 Washer	RPTFE		
3 Double End Stud	S30408	6 Filter Assembly	S30408		

Model No.	Specifications & Dimensions (mm)					Weight(kg)
	A	B	D0	D1	D2	
DGF-65	112	216	Ø65	Ø70	Ø76	
DGF-80	118	241	Ø80	Ø81	Ø89	
DGF-100	138	292	Ø100	Ø100	Ø108	

Remarks:

There are three kinds of filters with 100 meshes, 150 meshes and 200 meshes.
 The model No. is DGF-XX (XXX) , and DGF-XX is the main model while (XXX) is the filter model.
 For example, if you need the cryogenic strainer valve with the size of 2-1/2" and 150 meshes, the model should be DGF-65 (150M) .

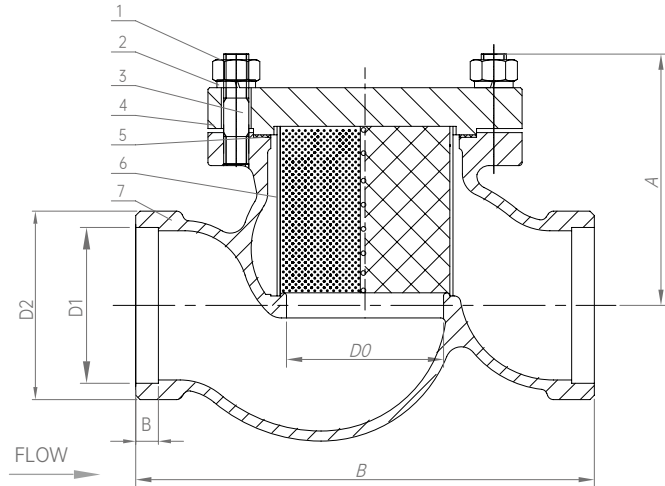


Cryogenic Strainer Valve

Parameters

PN: 4.0MPa
DN: Ø65 ~ Ø100
Design Temp.: -196°C ~+80°C
Media: LNG, LO₂, LN₂, LAr

Connection: Socket Weld



This kind of product has certified by CE, EAC, TS and CCS
Standards: GB/T 24925, EN1626:2008, TR CU 032/2013

Materials

1 Hexagon Nut	S30408	4 Bonnet	S30408	7 Body	CF8
2 Spring Washer	S30408	5 washer	RPTFE		
3 Double End Stud	S30408	6 Filter Assembly	S30408		

Model No.	Specifications & Dimensions (mm)						Weight(kg)
	A	B	D0	D1	D2	B	
DGF-65B	112	216	Ø65	Ø76.5	Ø85	15	
DGF-80B	118	241	Ø80	Ø89.5	Ø103	15	
DGF-100B	138	292	Ø100	Ø108.5	Ø120	15	

Remarks:

There are three kinds of filters with 100 meshes, 150 meshes and 200 meshes.

The model No. is DGF-XX (XXX) , and DGF-XX is the main model while (XXX) is the filter model.

For example, if you need the cryogenic strainer valve with the size of 2-1/2" and 150 meshes, the model should be DGF-65B (150M) .

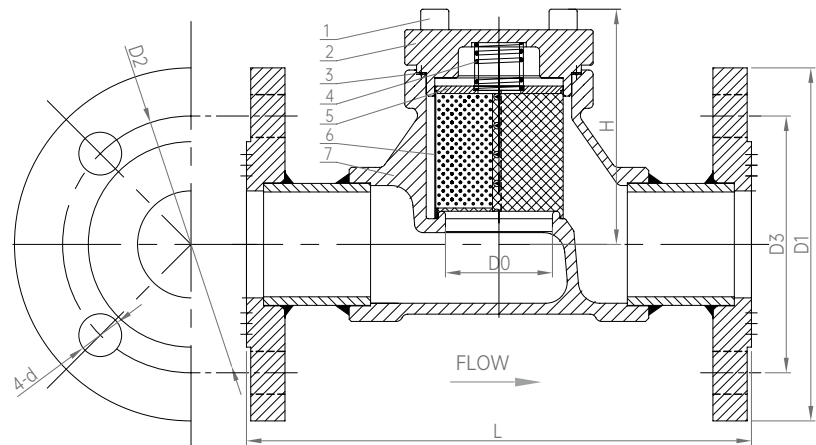
Cryogenic Strainer Valve

Parameters

PN: 4.0MPa
DN: Ø10 ~ Ø50
Design Temp.: -196°C ~ +80°C
Media: LNG, LO₂, LN₂, LAr

Connection:

Flanged connection with PN 40



This kind of product has certified by CE, EAC, TS and CCS
Standards: GB/T 24925, EN1626:2008, TR CU 032/2013

Materials

1 Hexagon Screw	S30408	4 Spring of Gland Nut	S30210	7 Body	CF8
2 Bonnet	CF8	5 Spring Pad	S30408		
3 Gasket	RPTFE	6 Filter Assembly	S30408		

Model No.	Specifications & Dimensions (mm)							Weight(kg)
	H	L	D0	D1	D2	D3	d	
DGF-15F	62	129	Ø15	Ø95	Ø65	Ø45	Ø14	
DGF-20F	70	154	Ø20	Ø105	Ø75	Ø58	Ø14	
DGF-25F	77	166	Ø25	Ø115	Ø85	Ø68	Ø14	
DGF-32F	89	185	Ø32	Ø140	Ø100	Ø78	Ø18	
DGF-40F	98	214	Ø40	Ø150	Ø110	Ø88	Ø18	
DGF-50F	111	240	Ø50	Ø165	Ø125	Ø102	Ø18	

Remarks:

There are three kinds of filters with 100 meshes, 150 meshes and 200 meshes.
The model No. is DGF-XX (XXX) , and DGF-XX is the main model while (XXX) is the filter model.

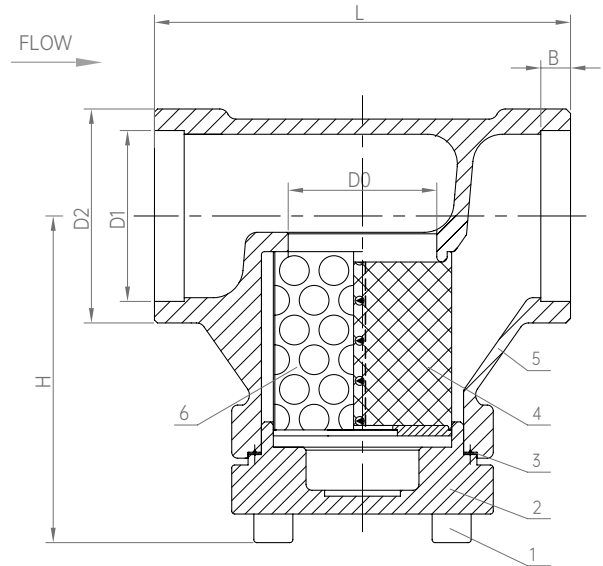
For example, if you need the cryogenic strainer valve with the size of 1/2" and 150 meshes, the model should be DGF-15F(150M).



Cryogenic Strainer Valve

Parameters

PN: 4.0MPa
DN: Ø10~Ø50
Design Temp.: -196°C ~+80°C
Media: LNG, LO₂, LN₂, LAr, CO₂
Connection : Socket Weld



This kind of product has certified by CE, EAC, TS and CCS
Standards: GB/T 24925, EN1626:2008, TR CU 032/2013

Materials

1	Screw	S30408	4	Brass Filter	50meshes or Monel Filter 1000 meshes
2	Bonnet	B62	5	Body	B62
3	Gasket	D#9000	6	Mesh Plate	HPb59-1

Remarks: DGF-15.99.xx

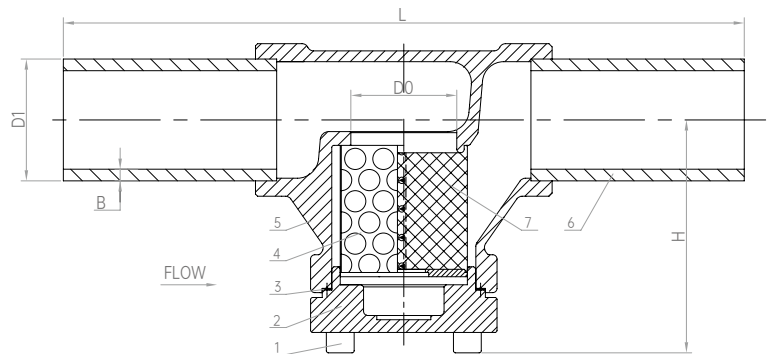
01: metric system Socket Weld 03: British system Socket Weld
Materials of Body and Bonnet : B62
DN

Model No.	Specifications & Dimensions (mm)								Weight(kg)
	H	L	D0	D1 metric system	D1 British system	D2	B	Cv	
DGF-10.99.xx	55	60	13	14.5	17.8	24	6	1.7	
DGF-15.99.xx	62	65	15	18.5	21.8	29.5	6	3.9	
DGF-20.99.xx	70	80	20	25.5	27.4	36	8	7.5	
DGF-25.99.xx	77	90	25	32.5	34.2	43.5	8	11.0	
DGF-32.99.xx	89	105	32	38.5	42.9	53	8	16.2	
DGF-40.99.xx	98	120	40	45.5	48.8	62	8	24.3	
DGF-50.99.xx	111	140	50	57.5	60.8	72	10	32.4	

Cryogenic Strainer Valve

Parameters

PN: 4.0MPa
DN: Ø10~Ø50
Design Temp.: -196°C ~+80°C
Media: LNG. LO₂. LN₂. LAr. CO₂

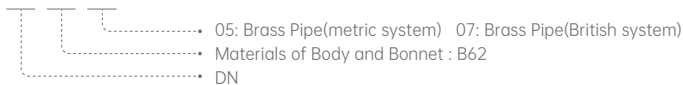


This kind of product has certified by CE, EAC, TS and CCS
Standards: GB/T 24925, EN1626:2008, TR CU 032/2013

Materials

1	Screw	S30408	5	Body	B62
2	Bonnet	C37700	6	Connecting Pipe	C12200
3	Gasket	D#9000	7	Brass Filter	or Monel Filter 1000 meshes
4	Support Plate	H62			

Remarks: **DGF-15.99.xx**



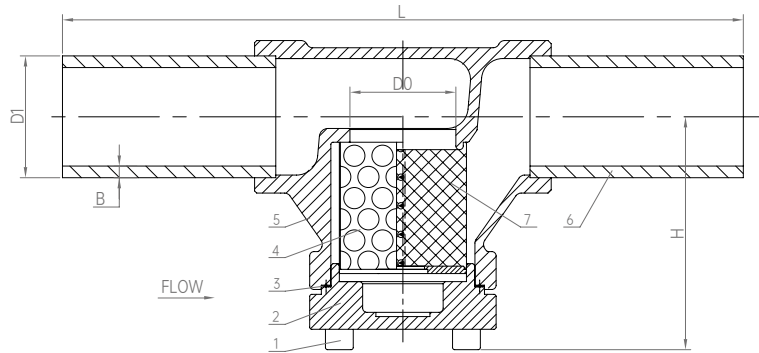
Model No.	Specifications & Dimensions (mm)							Weight(kg)
	H	L	D0	D1 metric system	D1 British system	B	Cv	
DGF-10.99.xx	55	360	13	14	17.2	1.0	1.7	
DGF-15.99.xx	62	365	15	18	21.3	1.5	3.9	
DGF-20.99.xx	70	380	20	25	26.9	1.5	7.5	
DGF-25.99.xx	77	390	25	32	33.7	1.5	11.0	
DGF-32.99.xx	89	405	32	38	42.4	1.5	16.2	
DGF-40.99.xx	98	420	40	45	48.3	1.5	24.3	
DGF-50.99.xx	111	440	50	57	60.3	2.0	32.4	



Cryogenic Strainer Valve

Parameters

PN: 4.0MPa
DN: Ø10~Ø50
Design Temp.: -196°C ~+80°C
Media: LNG, LO₂, LN₂, LAr

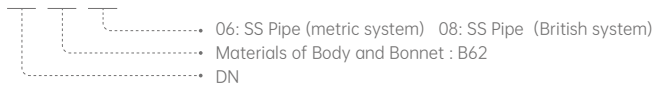


This kind of product has certified by CE, EAC, TS and CCS
Standards: GB/T 24925, EN1626:2008, TR CU 032/2013

Materials

1	Screw	S30408	5	Body	B62
2	Bonnet	C37700	6	Connecting Pipe	C12200
3	Gasket	D#9000	7	Brass Filter	or Monel Filter 1000 meshes
4	Support Plate	H62			

Remarks: **DGF-15.99.xx**

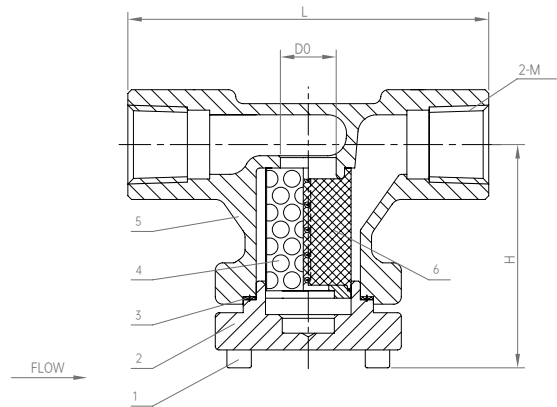


Model No.	Specifications & Dimensions (mm)								Weight(kg)
	H	L	D0	D1 metric system	D1 British system	B metric system	B British system	Cv	
DGF-10.99.xx	55	210	13	14	17.2	2.5	2.31	1.7	
DGF-15.99.xx	62	215	15	18	21.3	2.8	2.77	3.9	
DGF-20.99.xx	70	230	20	25	26.9	3.0	2.87	7.5	
DGF-25.99.xx	77	240	25	32	33.7	3.5	3.38	11.0	
DGF-32.99.xx	89	255	32	38	42.4	3.6	3.56	16.2	
DGF-40.99.xx	98	270	40	45	48.3	3.6	3.68	24.3	
DGF-50.99.xx	111	290	50	57	60.3	4.0	3.91	32.4	

Cryogenic Strainer Valve

Parameters

PN: 4.0MPa
DN: Ø10~Ø50
Design Temp.: -196°C ~+80°C
Media: LNG. LO₂. LN₂. LAr

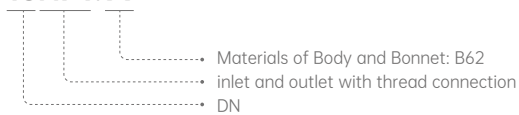


This kind of product has certified by CE, EAC, TS and CCS
Standards: GB/T 24925, EN1626:2008, TR CU 032/2013

Materials

1	Screw	S30408	4	Mesh Plate	HPb59-1
2	Bonnet	B62	5	Body	B62
3	Gasket	D#9000	6	Brass Filter	150meshes or Monel Filter 1000 meshes

Remarks: **DGF-15NPT.99**



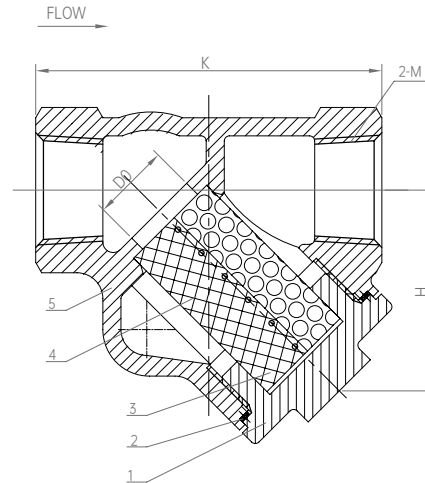
Model No.	Specifications & Dimensions (mm)					Weight(kg)
	H	L	D0	M	Cv	
DGF-10NPT.99	55	60	13	NPT 3/8	1.7	
DGF-15NPT.99	62	65	15	NPT 1/2	3.9	
DGF-20NPT.99	70	80	20	NPT 3/4	7.5	
DGF-25NPT.99	77	90	25	NPT 1	11.0	



Cryogenic Strainer Valve

Parameters

PN: 4.0MPa
DN: Ø15
Design Temp.: -196°C ~+80°C
Media: LNG, LO₂, LN₂, LAr



This kind of product has certified by CE, EAC, TS and CCS
Standards: GB/T 24925, EN1626:2008, TR CU 032/2013

Materials

1	Bonnet	C37700	4	Filter	Brass Filter 150meshes or Monel Filter 1000 meshes
2	Gasket	D#9000	5	Body	B62
3	Support Plate	H62			

Remarks: **DGF-15B.XX**

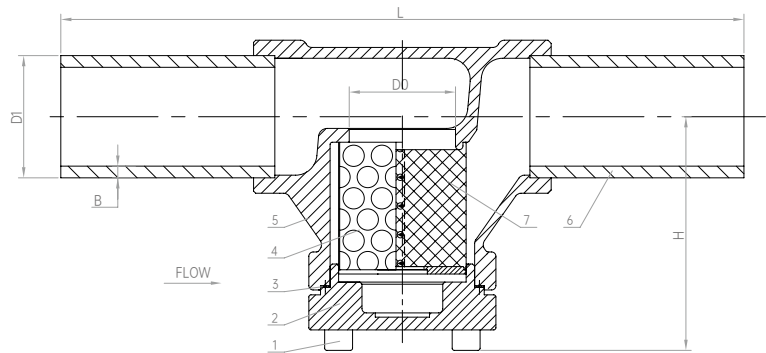


Model No.	Specifications & Dimensions (mm)				Weight(kg)
	K	D0	H	Cv	
DGF-15B.99	67	15	39	NPT 1/2	

Cryogenic Strainer Valve

Parameters

PN: 4.0MPa
DN: Ø25
Design Temp.: -196°C ~+80°C
Media: LNG, LO₂, LN₂, LAr



This kind of product has certified by CE, EAC, TS and CCS
Standards: GB/T 24925, EN1626:2008, TR CU 032/2013

Materials

1	Screw	S30408	5	Body	B62
2	Bonnet	C37700	6	Connecting Pipe	C12200
3	Gasket	D#9000	7	Filter	Monel Brass Filter 1000 meshes
4	Support Plate	H62			

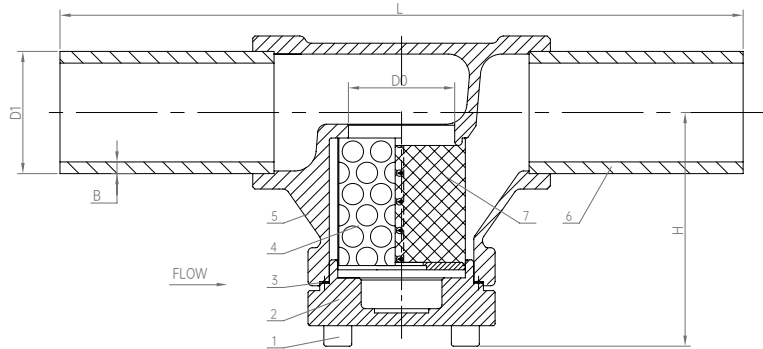
Model No.	Specifications & Dimensions (mm)						Weight(kg)
	H	L	D0	D1 metric system	B	Cv	
DGF-25.99.05A	77	240	25	32	1.5	11.0	



Cryogenic Strainer Valve

Parameters

PN: 4.0MPa
DN: Ø25
Design Temp.: -196°C ~+80°C
Media: LNG. LO₂. LN₂. LAr



This kind of product has certified by CE, EAC, TS and CCS
Standards: GB/T 24925, EN1626:2008, TR CU 032/2013

Materials

1	Screw	S30408	5	Body	B62
2	Bonnet	C37700	6	Connecting Pipe	C12200
3	Gasket	D#9000	7	Filter	Monel Brass Filter 800 meshes
4	Support Plate	H62			

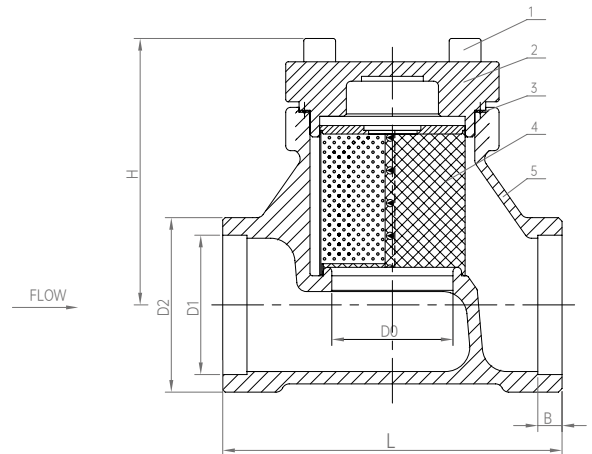
Model No.	Specifications & Dimensions (mm)						Weight(kg)
	H	L	D0	D1 metric system	B	Cv	
DGF-25.99.05B	77	240	25	32	1.5	11.0	

Cryogenic Strainer Valve

Parameters

PN: 4.0MPa
DN: Ø10~Ø50
Design Temp.: -196°C ~+80°C
Media: LNG. LO₂. LN₂. LAR

Connection : Socket Weld



This kind of product has certified by CE, EAC, TS and CCS
Standards: GB/T 24925, EN1626:2008, TR CU 032/2013

Materials

1	Screw	S30408	4	Brass Filter	150meshes or Monel Filter 1000 meshes
2	Bonnet	CF8	5	Body	CF8
3	Gasket	D#9000			

Remarks: **DGF-15.98.xx**

- 01: metric system Socket Weld 03: British system Socket Weld
- Materials of Body and Bonnet : CF8
- DN

Model No.	Specifications & Dimensions (mm)								Weight(kg)
	H	L	D0	D1 metric system	D1 British system	D2	B	Cv	
DGF-10.98.xx	55	60	13	14.5	17.8	24	6	1.7	
DGF-15.98.xx	62	65	15	18.5	21.8	29.5	6	3.9	
DGF-20.98.xx	70	80	20	25.5	27.4	36	8	7.5	
DGF-25.98.xx	77	90	25	32.5	34.2	43.5	8	11.0	
DGF-32.98.xx	89	105	32	38.5	42.9	53	8	16.2	
DGF-40.98.xx	98	120	40	45.5	48.8	62	8	24.3	
DGF-50.98.xx	111	140	50	57.5	60.8	72	10	32.4	

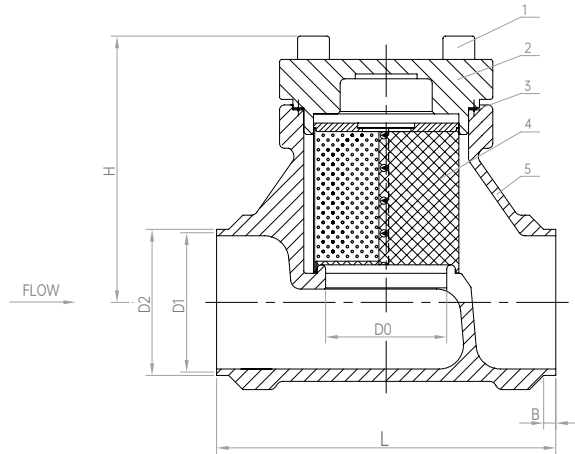


Cryogenic Strainer Valve

Parameters

PN: 4.0MPa
DN: Ø10~Ø50
Design Temp.: -196°C ~+80°C
Media: LNG, LO₂, LN₂, LAr

Connection : Butt Weld



This kind of product has certified by CE, EAC, TS and CCS
Standards: GB/T 24925, EN1626:2008, TR CU 032/2013

Materials

1	Screw	S30408	4	Brass Filter	150meshes or Monel Filter 1000 meshes
2	Bonnet	CF8	5	Body	CF8
3	Gasket	D#9000			

Remarks: **DGF-15.98.xx**

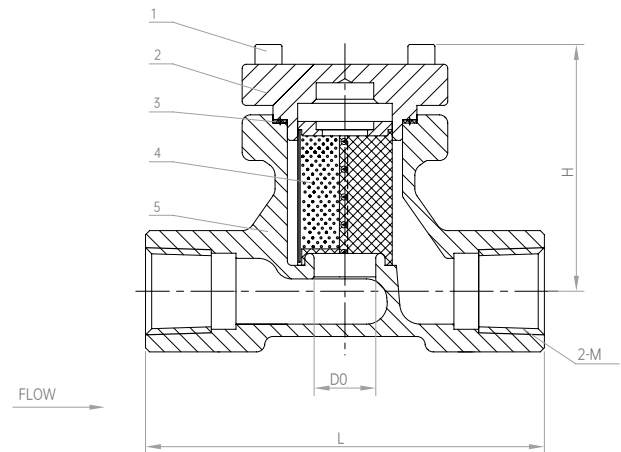
02: metric system Butt Weld 04: British system Butt Weld
Materials of Body : CF8
DN

Model No.	Specifications & Dimensions (mm)									
	H	L	D0	D1 metric system	D2 metric system	D1 British system	D2 British system	B	Cv	Weight(kg)
DGF-10.98.xx	55	60	13	10	14	13	17.2	4	1.7	
DGF-15.98.xx	62	65	15	14	18	17.08	21.3	5	3.9	
DGF-20.98.xx	70	80	20	20	25	22.48	26.9	5	7.5	
DGF-25.98.xx	77	90	25	27	32	27.9	33.7	5	11.0	
DGF-32.98.xx	89	105	32	32	38	36	42.4	5	16.2	
DGF-40.98.xx	98	120	40	39	45	43	48.3	5	24.3	
DGF-50.98.xx	111	140	50	51	57	55	60.3	5	32.4	

Cryogenic Strainer Valve

Parameters

PN: 4.0MPa
DN: Ø10~Ø25
Design Temp.: -196°C ~+80°C
Media: LNG, LO₂, LN₂, LAr

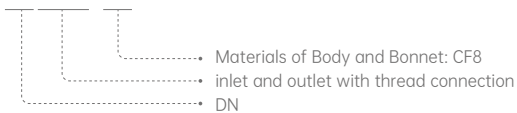


This kind of product has certified by CE, EAC, TS and CCS
Standards: GB/T 24925, EN1626:2008, TR CU 032/2013

Materials

1	Screw	S30408	4	Brass Filter	150meshes or Monel Filter 1000 meshes
2	Bonnet	CF8	5	Body	CF8
3	Gasket	D#9000			

Remarks: **DGF-15NPT.98**



Model No.	Specifications & Dimensions (mm)					Weight(kg)
	H	L	D0	M	Cv	
DGF-10NPT.98	55	60	13	NPT 3/8	1.7	
DGF-15NPT.98	62	65	15	NPT 1/2	3.9	
DGF-20NPT.98	70	80	20	NPT 3/4	7.5	
DGF-25NPT.98	77	90	25	NPT 1	11.0	

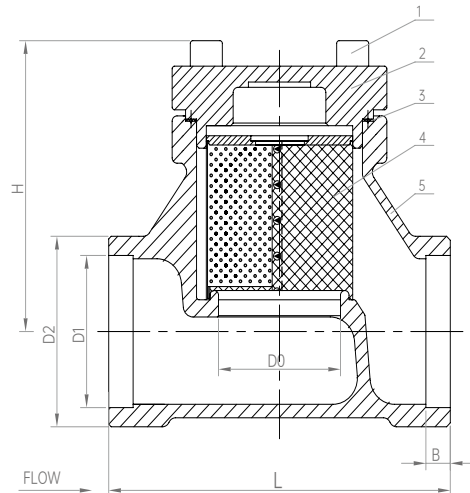


Cryogenic Strainer Valve

Parameters

PN: 4.0MPa
DN: Ø10~Ø50
Design Temp.: -196°C ~+80°C
Media: LNG, LO₂, LN₂, LAr.

Connection : Socket Weld

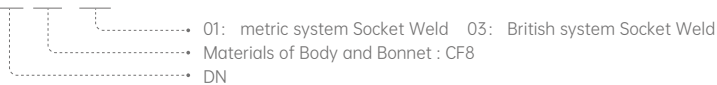


This kind of product has certified by CE, EAC, TS and CCS
Standards: GB/T 24925, EN1626:2008, TR CU 032/2013

Materials

1	Screw	S30408		4	Brass Filter	150meshes or Monel Filter 1000 meshes
2	Bonnet	C37700		5	Body	CF8
3	Gasket	D#9000				

Remarks: **DGF-15.97.xx**



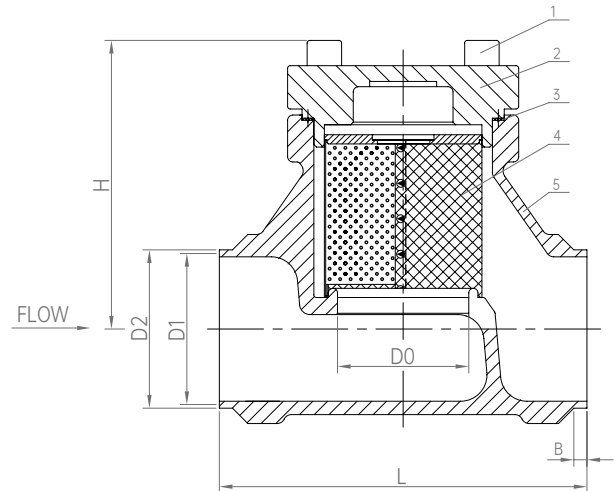
Model No.	Specifications & Dimensions (mm)								Weight(kg)
	H	L	D0	D1 metric system	D1 British system	D2	B	Cv	
DGF-10.97.xx	55	60	13	14.5	17.8	24	6	1.7	
DGF-15.97.xx	62	65	15	18.5	21.8	29.5	6	3.9	
DGF-20.97.xx	70	80	20	25.5	27.4	36	8	7.5	
DGF-25.97.xx	77	90	25	32.5	34.2	43.5	8	11.0	
DGF-32.97.xx	89	105	32	38.5	42.9	53	8	16.2	
DGF-40.97.xx	98	120	40	45.5	48.8	62	8	24.3	
DGF-50.97.xx	111	140	50	57.5	60.8	72	10	32.4	

Cryogenic Strainer Valve

Parameters

PN: 4.0MPa
DN: Ø10~Ø50
Design Temp.: -196°C ~+80°C
Media: LNG. LO₂. LN₂. LAr

Connection : Butt Weld

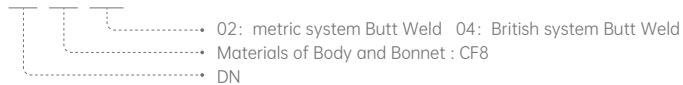


This kind of product has certified by CE, EAC, TS and CCS
Standards: GB/T 24925, EN1626:2008, TR CU 032/2013

Materials

1	Screw	S30408	4	Brass Filter	150meshes or Monel Filter 1000 meshes
2	Bonnet	C37700	5	Body	CF8
3	Gasket	D#9000			

Remarks: **DGF-15.97.xx**



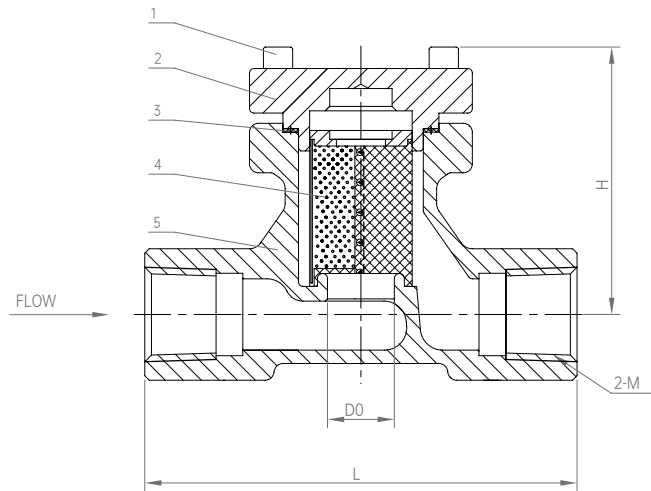
Model No.	Specifications & Dimensions (mm)									Weight(kg)
	H	L	D0	D1 metric system	D2 metric system	D1 British system	D2 British system	B	Cv	
DGF-10.97.xx	55	60	13	10	14	13	17.2	4	1.7	
DGF-15.97.xx	62	65	15	14	18	17.08	21.3	5	3.9	
DGF-20.97.xx	70	80	20	20	25	22.48	26.9	5	7.5	
DGF-25.97.xx	77	90	25	27	32	27.9	33.7	5	11.0	
DGF-32.97.xx	89	105	32	32	38	36	42.4	5	16.2	
DGF-40.97.xx	98	120	40	39	45	43	48.3	5	24.3	
DGF-50.97.xx	111	140	50	51	57	55	60.3	5	32.4	



Cryogenic Strainer Valve

Parameters

PN: 4.0MPa
DN: Ø10~Ø25
Design Temp.: -196°C ~+80°C
Media: LNG, LO₂, LN₂, LAr

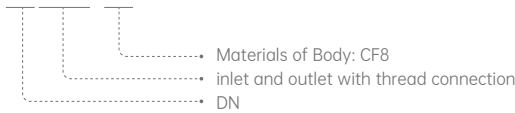


This kind of product has certified by CE, EAC, TS and CCS
Standards: GB/T 24925, EN1626:2008, TR CU 032/2013

Materials

1	Screw	S30408	4	Brass Filter	150meshes or Monel Filter 1000 meshes
2	Bonnet	C37700	5	Body	CF8
3	Gasket	D#9000			

Remarks: **DGF-15NPT.97**



Model No.	Specifications & Dimensions (mm)					Weight(kg)
	H	L	D0	M	Cv	
DGF-10NPT.97	55	60	13	NPT 3/8	1.7	
DGF-15NPT.97	62	65	15	NPT 1/2	3.9	
DGF-20NPT.97	70	80	20	NPT 3/4	7.5	
DGF-25NPT.97	77	90	25	NPT 1	11.0	



Shanghai Baitu
Cryogenic Valve.Co.,Ltd.

Cryogenic Valve Solutions
Worth Your Trust



Add: Building 5, No.428, Changhong Road, Baoshan District, Shanghai, China

E-mail: sales@baituvalves.com

Website: www.baituvalves.com