

BAITU CRYOGENIC VALVE

Cryogenic Transportation &
Storage Equipment/
LNG Filling Station



Cryogenic Valve Solutions
Worth Your Trust



Shanghai Baitu
Cryogenic Valve.Co.,Ltd.

www.baituvalves.com





Product Contents

Cryogenic Globe Valve

DJ-10~DJ-50 / DJ-15P~DJ-25P / DJ-10(G)~DJ-50(G)	15
DJ-10A~DJ-50A / DJ-15K~DJ-50K	16
DJ-10L~DJ-50L / DJ-10YL~DJ-50YL	17
DJ-25H~DJ-50H / DJ-25HY~DJ-50HY	18
DJ-10.005~DJ-50.005 / DJ-10Y.005~DJ-50Y.005	19
DJ-10AL~DJ-50AL / DJ-15KL~DJ-50KL	20
DJ-10(NPT)~DJ-40(NPT)	21
DJ-10G~DJ-50G / DJ-10GY~DJ-50GY	22
DJ-10GA~DJ-50GA / DJ-15GK~DJ-50GK	23
DJ-10GL~DJ-50GL / DJ-10GYL~DJ-50GYL	24
DJ-10NPT~DJ-40NPT	25
DJ-65~DJ-100C	26
DJ-65A1~DJ-100C1	27
DJ-65A2~DJ-100C2	28
DJ-65B~DJ-100B	29
DJ-65B1~DJ-100B1	30
DJ-65B2~DJ-100B2	31
DJ-65G~DJ-100GC	32
DJ-65G1~DJ-100GC1	33
DJ-65G2~DJ-100GC2	34
DJ-65GB~DJ-100GB	35
DJ-65.001~DJ-100.001	36
DJ-65B.001~DJ-100B.001	37
DJ-65G.001~DJ-100G.001	38
DJ-150A1	39
DJZ-32~DJ-50J	40
DJ-15F~DJ-50F / DJ-15FY~DJ-50FY	41
DJ-65F~DJ-100F	42



Cryogenic Globe Valve

DJ-15P1~DJ-25P1	43
DJ-10D1~DJ-50D1	44
DJ-10.99.xxx~DJ-50.99.xxx	45
DJ-10.99.xxx~DJ-50.99.xxx	46
DJ-10.99.xxx~DJ-50.99.xxx	47
DJ-10NPT.99.0~DJ-25NPT.99.0	48
DJ-10.99.xxx~DJ-50.99.xxx	49
DJ-10.99.xxx~DJ-50.99.xxx	50
DJ-10.99.xxx~DJ-50.99.xxx	51
DJ-10NPT.99.1~DJ-25NPT.99.1	52
DJ-25.99.118	53
DJ-10.98.xxx~DJ-50.98.xxx	54
DJ-10.98.xxx~DJ-50.98.xxx	55
DJ-10NPT.98.0~DJ-25NPT.98.0	56
DJ-10.98.xxx~DJ-50.98.xxx	57
DJ-10.98.xxx~DJ-50.98.xxx	58
DJ-10NPT.98.1~DJ-25NPT.98.1	59
DJ-10.97.xxx~DJ-50.97.xxx	60
DJ-10.97.xxx~DJ-50.97.xxx	61
DJ-10NPT.97.0~DJ-10NPT.97.0	62
DJ-15P1.97~DJ-25P1.97	63
DJ-10P.01.01~DJ-10P.01.03	64
DJ-10P.02.01~DJ-10P.02.03	65
DJ-10P.03.01~DJ-10P.03.02	66
DJ-10P.21.01~DJ-10P.21.03	67
DJ-10P.22.01~DJ-10P.22.03	68
DJ-10P.23.01~DJ-10P.23.02	69





Product Contents

Cryogenic Check Valve

DH-10~DH-50 / DH-10Y~DH-50Y	71
DH-10A~DH-50A / DH-15K~DH-50K	72
DH-10NPT~DH-20NPT	73
DH-10L~DH-50L / DH-10YL~DH-50YL	74
DHX-10~DHX-40	75
DH-20F~DH-50F	76
DH-65~DH-100C	77
DH-65B~DH-100B	78
DH65.001~DH100.001	79
DH-150	80
DH-65F~DH-100F	81
H1501	82
DH-10.99.xx~DH-50.99.xx	83
DH-10.99.xx~DH-50.99.xx	84
DDH-10.99.xx~DH-50.99.xx	85
DH-10NPT.99~DH-25NPT.99	86
DHX-15.99~DHX-25.99	87
DH-10.98.xx~DH-50.98.xx	88
DH-10.98.xx~DH-50.98.xx	89
DH-10NPT.98~DH-25NPT.98	90
DH-10.97.xx~DH-50.97.xx	91
DH-10.97.xx~DH-50.97.xx	92
DH-10NPT.97~DH-25NPT.97	93



Emergency Shut-off Valve

DJQ-15B~DJQ-50B / DJQ-15Y~DJQ-50Y	95
DJQ-15B1~DJQ-50B1 / DJQ-15Y1~DJQ-50Y1	96
DJQ-15B2~DJQ-50B2 / DJQ-15Y2~DJQ-50Y2	97
DJQ-15A~DJQ-50A / DJQ-15K~DJQ-50K	98
DJQ-15A1~DJQ-50A1 / DJQ-15K1~DJQ-50K1	99
DJQ-15A2~DJQ-50A2 / DJQ-15K2~DJQ-50K2	100
DJQ-32D2~DJQ-50DY2	101
DJQ-65~DJQ-100	102
DJQ-65B1~DJQ-100B1	103
DJQ-65B2~DJQ-100B2	104
DJQ-65C~DJQ-100C	105
DJQ-65C1~DJQ-100C1	106
DJQ-65C2~DDJQ-100C2	107
DJQ-65D	108
DJQ-15F~DJQ-50F / DJQ-15FY~DJQ-50FY	109
DJQ-65F1~DJQ-100F1	110
DJQ-65F2~DJQ-100F2	111
DJQ-150	112
DJQ-25E~DJQ-50E	113
DJQC-15~DJQC-25	114
DJQC-15A~DJQC-25A	115





Product Contents

Cryogenic Regulator

DYS-15A~DYS-15A1	117
DYS-15B~DYS-15B2	118
DYS-20~DYS-20A1	119
DYS-20 (01	120
DYS-20B1~DYS-20D1	121
DYS-20.99.01~DYS-20.99.02	122
DYZ-20A~DYZ-20A1	123
DYS-25~DYS-25A2	124
DYS-25B1~DYS-25B2	125
DYS-40~DYS-40A4	126
DYS-40F~DYS-40F2	127
DYS-50~DYS-50A	128
DYS-50C~DYS-50C1	129
DYS-50F	130
TZ-15.99.01~TZ-15.99.03	131
TZ-25.99.01~TZ-25.99.03	132
TS-15~TS-15A1	133



Cryogenic Economizer

DYJ-15~DJQ-DYJ-15A4	135
DYJ-15B~DYJ-15B4	136
DYJ-25~DYJ-25A1	137
DYJ-25B~DYJ-25B2	138
DYJ-25F~DYJ-25F2	139
DYJ-25Y~DYJ-25Y2	140
DYJ-40~DYJ-50A	141
DYJ-50Y~DYJ-50Y1	142
TJ-10~TJ-10A1	143

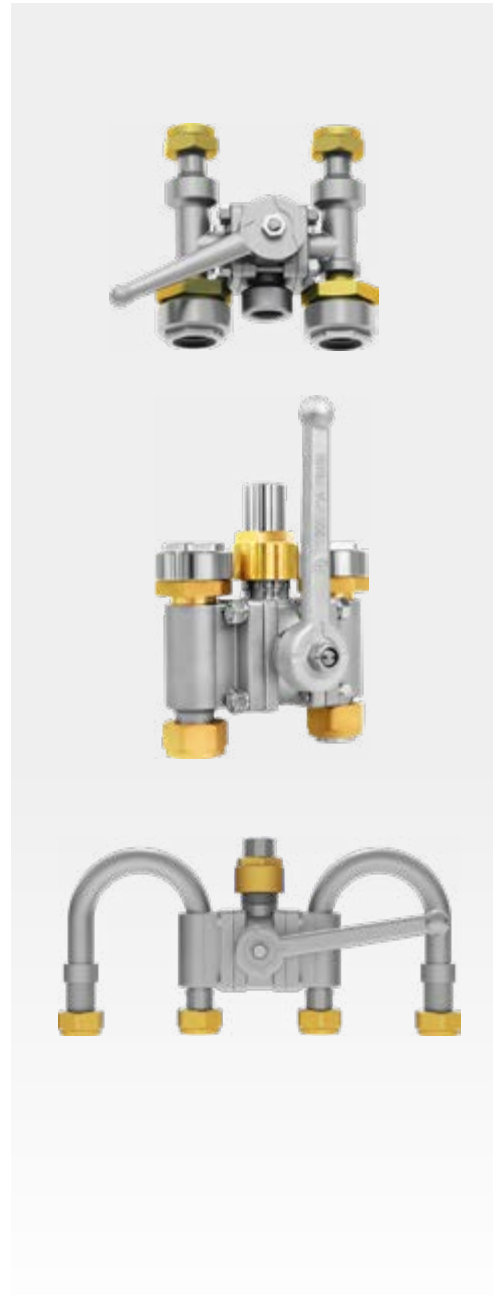




Product Contents

Cryogenic Diverter Valve

DQS-15~DQS-15F	145
DQS-15A	146
DQS-15C~DQS-15E1	147
DQS-15D	148
DQS-15W~DQS-15W1	149
DQS-25	150
DQS-25A	151
DQS-25B	152
DQS-25C~DQS-25C1	153
DQS-25C4	154
DQS-25C5~DQS-25C7	155
DQS-25C6	156
DQS-25C8~DQS-25C11	157
DQS-25C13	158
DQS-25S2	159
DQS-25W	160
DQS-25W3	161
DQS-25Y2~DQS-25Y3	162
DQS-40.001	163
DQS-40A	164
DQS-15.98~DQS-25.98	165
DJS-15	166
DJS-15C	167
DJS-25A~DJS-25A1	168
DJS-25B	169



Safety Valve

DA-08C~DA-08C5	171
DA-08F~DA-08F5	172
DA-08G~DA-08G5	173
DA-08.99.xxx~DA-08G.99.xxx	174
DA-10~DA-10C2	175
DA-15~DA-15A3	176
DA-25~DA-25A4	177
DA22F-40P(15B)~DA22F-40P(25B2)	178
DA22F-40P(10C)~DA22F-40P(25C2)	179
DA22F-40P(15F)~DA22F-40P(25F2)	180
DA22F-40P(10G)~DA22F-40P(25G2)	181
DA22F-40P(15M)~DA22F-40P(25M2)	182
DA22F-40P(25HC)	183
DA22F-40P(25HD)	184
DA22F-40P(25HE)	185
DA22F-40P(32C)~DA22F-40P(32C2)	186
DA22Y-40P(40)~DA22Y-40P(40A)	187
DA22Y-40P(50)~DA22Y-40P(50A)	188
DA22F40P(15B).99.xxx~DA22F40P(25B).99.xxx	189
DA22F40P(15B).98.xxx~DA22F40P(25B).98.xxx	190
DA22F40P(15B).97.xxx~DA22F40P(25B).97.xxx	191
DAH-10~DAH-25A1	192
DAH-15D~DAH-15D2	193
DAH-15E~DAH-25E1	194
DAH-25B~DAH-25B1	195
DGA-10.A01~DGA-10.A03	196
DGA-15.A01~DGA-15.A03	197
DGA-15.B01~DGA-15.B03	198
DGA-20.A01~DGA-20.A03	199
QGA-15~QGA-15.A01	200





Product Contents

Cryogenic Strainer Valve

DGF-10~DGF-50 / DGF-10Y~DGF-50Y	202
DGF-10A~DGF-50A / DGF-15K~DGF-50K	203
DGF-10L~DGF-50L / DGF-10YL~DGF-50YL	204
DGF-10NPT~DGF-25NPT	205
DGF-15B~DGF-25B	206
DGF-65~DGF-100	207
DGF-65B~DGF-100B	208
DGF-15F~DGF-50F	209
DGF-10.99.xx~DGF-50.99.xx	210
DGF-10.99.xx~DGF-50.99.xx	211
DGF-10.99.xx~DGF-50.99.xx	212
DGF-10NPT.99~DGF-25NPT.99	213
DGF-15B.99	214
DGF-25.99.05A	215
DGF-25.99.05B	216
DGF-10.98.xx~DGF-50.98.xx	217
DGF-10.98.xx~DGF-50.98.xx	218
DGF-10NPT.98~DGF-25NPT.98	219
DGF-10.97.xx~DGF-50.97.xx	220
DGF-10.97.xx~DGF-50.97.xx	221
DGF-10NPT.97~DGF-25NPT.97	222



Other Valves

Vacuum Jacketed Valve	DZJ-15~DZJ-50	224
	DZJ-15K~DZJ-50K	225
	DZJ-15Y	226
	DZJ-40J~DZJ-50J	227
	DZJ-65	228
	DZJ-65A1	229
	DZH-15C~DZH-50C	230
	DZH-25K~DZH-50K	231
	DZH-25S	232
	DZH-40J	233
	DZH-40JS	234
	DZH-40JS1	235
	DZH-50J(001)	236
	DZQ-15C~DZQ-50C	237
	DZQ-25K~DZQ-50K	238
	DZQ-25K1~DZQ-50K1	239
	DZQ-25K2~DZQ-50K2	240
	DZQ-25S	241
	DZQ-65~DZQ-65B2	242



Other Valves

High Pressure Valve	DZQ-65C	243
	GDF-15~GDF-20	244
	DGJ-08~DGJ-25	245
	DGJ-15G~DGJ-25G	246
	DGJ-15FB(01)	247
	DGJ-20B~DGJ-20B1	248
	DGJ-20C	249
	DGJ-25A	250
	DGH-10~DGH-25	251
	DGH-20B~DGH-20B1	252
	DGQ-10~DGQ-25	253
	DGQ-20B	254
<hr/>		
Fueling Nozzle	DCJ-25~DCJ-25B	255
<hr/>		
Venting Nozzle	DHJ-10~DHJ-10D	256
	DHJ-10A~DHJ-10A4	257
	DHJ-10E	258
	DHJ-10F~DHJ-10G	259
	DHJ-10F1~DHJ-10G1	260
<hr/>		
Filling Device	DJC-40~DJC-40C	261
	DXK-40	262
	DCK-40	263
<hr/>		
Breakaway Coupling	LDQ-15~LDQ-25A3	264
	LDQ-25A~LDQ-25A2	265
	LDQ-25B1	266
	LDQ-25B~LDQ-25B2	267
	LDQ-50	268
<hr/>		
Flame Arrester	DGZ-25~DGZ-50	269
	DGZ-25A~DGZ-50A	270
	DGZ-50B	271
<hr/>		
Others	DXC-20K	272
	DJK-50	273
	DJK-65~DJK-65A	274
	DCJ-50	275
	DCJ-65~DCJ-65A	276
	ZGF-04C	277



Cryogenic Globe Valve

www.baituvalves.com

BAITU CRYOGENIC VALVE



DJ61F-40P

Cryogenic Globe Valve Long Stem

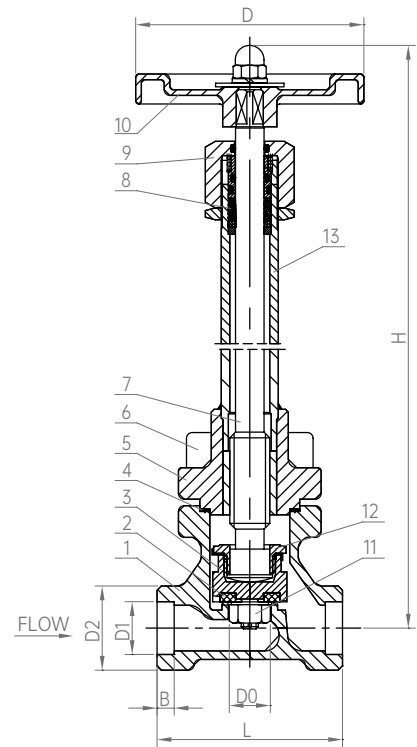
Parameters

PN: 4.0MPa
DN: Ø10~Ø50
Design Temp.: -196°C ~+80°C
Media: LNG, LO₂, LN₂, LAr, CO₂

Connection : Socket Weld



This kind of product has certified by CE, EAC, TS and CCS
Standards: GB/T 24925, EN1626:2008, TR CU 032/2013



Materials

1	Body	CF8	6	Hexagon Screw	S30408	11	Hexagon Nut	S30408
2	Disc Sealing	PCTFE	7	Stem	S30408	12	Connecting Nut	S30408
3	Disc	S30408	8	V ring	PTFE	13	Connecting Pipe	S30408
4	Gasket	RPTFE	9	Gland Nut	S30408			
5	Bonnet	S30408	10	Hand Wheel	Y102			

Model No.	Specifications & Dimensions (mm)								Weight(kg)
	H Opening	H Closing	L	D	D0	D1	D2	B	
DJ-10	210	204	60	Ø65	Ø13	Ø14.5	Ø24	6	0.9
DJ-15	253	244	65	Ø80	Ø15	Ø18.5	Ø29.5	6	1.1
DJ-20	257	246	80	Ø80	Ø20	Ø25.5	Ø36	8	1.5
DJ-25	288	274.5	90	Ø100	Ø25	Ø32.5	Ø43.5	8	2.1
DJ-32	298	283.5	105	Ø100	Ø32	Ø38.5	Ø53	8	2.8
DJ-40	365.5	348	120	Ø125	Ø40	Ø45.5	Ø62	8	4.0
DJ-50	374.5	353.5	140	Ø140	Ø50	Ø57.5	Ø72	10	5.2
DJ-15P	173	160	65	Ø80	Ø15	Ø18.5	Ø29.5	6	1.0
DJ-20P	232	221	80	Ø80	Ø20	Ø25.5	Ø36	8	1.5
DJ-25P	238	224.5	90	Ø100	Ø25	Ø32.5	Ø43.5	8	1.9
DJ-10 (G)	221	215	60	Ø65	Ø13	Ø17.8	Ø24	6	1.0
DJ-15 (G)	257	248	65	Ø80	Ø15	Ø22.2	Ø29.5	6	1.1
DJ-20 (G)	263	254	80	Ø80	Ø20	Ø27.7	Ø36	8	1.5
DJ-25 (G)	295	282	90	Ø100	Ø25	Ø34.5	Ø43.5	8	2.1
DJ-32 (G)	305.5	291	105	Ø100	Ø32	Ø43.2	Ø53	8	2.8
DJ-40 (G)	373.5	356	120	Ø125	Ø40	Ø49	Ø62	8	3.9
DJ-50 (G)	384.5	361.5	140	Ø140	Ø50	Ø61.1	Ø72	10	5.2



DJ61F-40P

Cryogenic Globe Valve Long Stem

Parameters

PN: 4.0MPa

DN: Ø10~Ø50

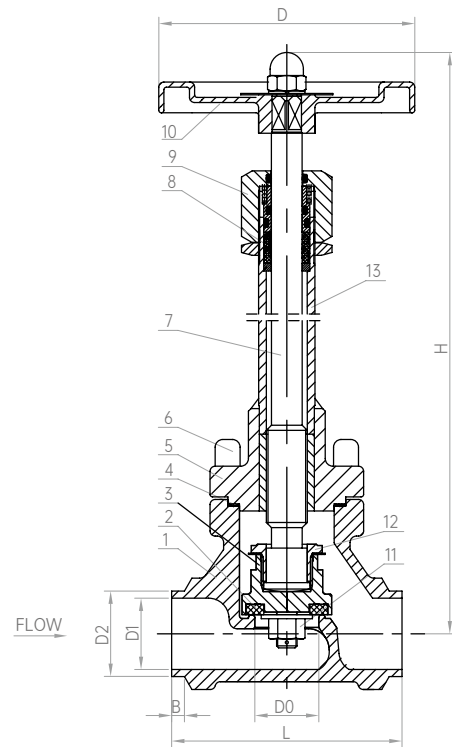
Design Temp.: -196°C ~+80°C

Media: LNG, LO₂, LN₂, LAr, CO₂

Connection : Butt Weld



This kind of product has certified by CE, EAC, TS and CCS
Standards: GB/T 24925, EN1626:2008, TR CU 032/2013



Materials

1 Body	CF8	6 Hexagon Screw	S30408	11 Hexagon Nut	S30408
2 Disc Sealing	PCTFE	7 Stem	S30408	12 Connecting Nut	S30408
3 Disc	S30408	8 V ring	PTFE	13 Connecting Pipe	S30408
4 Gasket	RPTFE	9 Gland Nut	S30408		
5 Bonnet	S30408	10 Hand Wheel	Y102		

Model No.	Specifications & Dimensions (mm)								Weight(kg)
	H Opening	H Closing	L	D	D0	D1	D2	B	
DJ-10A	221	215	60	Ø65	Ø13	Ø13	Ø17	4	1.0
DJ-15A	257	248	65	Ø80	Ø15	Ø17.08	Ø21.3	5	1.2
DJ-20A	263	254	80	Ø80	Ø20	Ø22.48	Ø26.7	5	1.4
DJ-25A	295	282	90	Ø100	Ø25	Ø27.9	Ø33.4	5	2.1
DJ-32A	305.5	291	105	Ø100	Ø32	Ø36	Ø42.2	5	2.9
DJ-40A	373.5	356	120	Ø125	Ø40	Ø43	Ø48.3	5	3.9
DJ-50A	384.5	361.5	140	Ø140	Ø50	Ø55	Ø60.3	5	5.4
DJ-15K	257	248	65	Ø80	Ø15	Ø14	Ø18	5	1.2
DJ-20K	263	254	80	Ø80	Ø20	Ø20	Ø25	5	1.5
DJ-25K	295	282	90	Ø100	Ø25	Ø27	Ø32	5	2.1
DJ-32K	305.5	291	105	Ø100	Ø32	Ø32	Ø38	5	2.9
DJ-40K	373.5	356	120	Ø125	Ø40	Ø39	Ø45	5	3.9
DJ-50K	384.5	361.5	140	Ø140	Ø50	Ø51	Ø57	5	5.4

DJ61F-63P

Cryogenic Globe Valve Long Stem

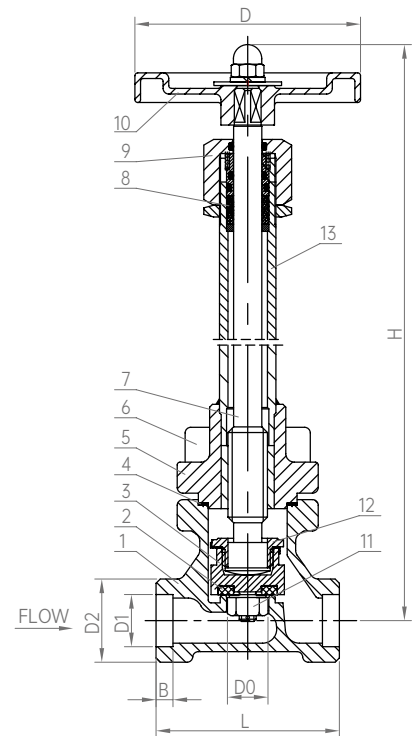
Parameters

PN: 6.3MPa
DN: Ø10~Ø50
Design Temp.: -196°C ~+80°C
Media: LNG, LO₂, LN₂, LAr, CO₂

Connection : Socket Weld



This kind of product has certified by CE, EAC, TS and CCS
Standards: GB/T 24925, EN1626:2008, TR CU 032/2013



Materials

1	Body	CF8	6	Hexagon Screw	S30408	11	Hexagon Nut	S30408
2	Disc Sealing	PCTFE	7	Stem	S30408	12	Connecting Nut	S30408
3	Disc	S30408	8	V ring	PTFE	13	Connecting Pipe	S30408
4	Gasket	RPTFE	9	Gland Nut	S30408			
5	Bonnet	S30408	10	Hand Wheel	Y102			

Model No.	Specifications & Dimensions (mm)								Weight(kg)
	H Opening	H Closing	L	D	D0	D1	D2	B	
DJ-10L	210	204	60	Ø65	Ø13	Ø14.5	Ø24	6	1.0
DJ-15L	253	244	65	Ø80	Ø15	Ø18.5	Ø29.5	6	1.2
DJ-20L	257	246	80	Ø80	Ø20	Ø25.5	Ø36	8	1.5
DJ-25L	288	274.5	90	Ø100	Ø25	Ø32.5	Ø43.5	8	2.1
DJ-32L	298	283.5	105	Ø100	Ø32	Ø38.5	Ø53	8	2.9
DJ-40L	365.5	348	120	Ø125	Ø40	Ø45.5	Ø62	8	3.9
DJ-50L	374.5	353.5	140	Ø140	Ø50	Ø57.5	Ø72	10	5.4
DJ-10YL	210	204	60	Ø65	Ø13	Ø17.8	Ø24	6	1.0
DJ-15YL	253	244	65	Ø80	Ø15	Ø22.2	Ø29.5	6	1.2
DJ-20YL	257	246	80	Ø80	Ø20	Ø27.7	Ø36	8	1.5
DJ-25YL	288	274.5	90	Ø100	Ø25	Ø34.5	Ø43.5	8	2.1
DJ-32YL	298	283.5	105	Ø100	Ø32	Ø43.2	Ø53	8	2.9
DJ-40YL	365.5	348	120	Ø125	Ø40	Ø49	Ø62	8	3.9
DJ-50YL	374.5	353.5	140	Ø140	Ø50	Ø61.1	Ø72	10	5.4



DJ61F-40P

Cryogenic Globe Valve with non-return function Long Stem

Parameters

PN: 4.0MPa

DN: Ø10~Ø50

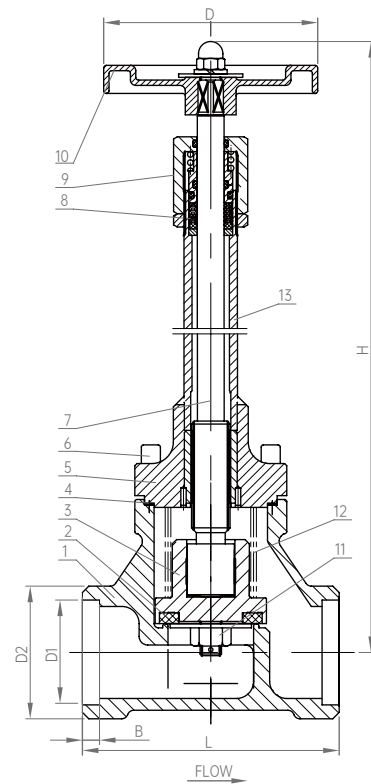
Design Temp.: -196°C ~+80°C

Media: LNG, LO₂, LN₂, LAr, CO₂

Connection : Socket Weld



This kind of product has certified by CE, EAC, TS and CCS
Standards: GB/T 24925, EN1626:2008, TR CU 032/2013



Materials

1 Body	CF8	6 Hexagon Screw	S30408	11 Hexagon Nut	S30408
2 Disc Sealing	PCTFE	7 Stem	S30408	12 Spring	S30210
3 Disc	S30408	8 V ring	PTFE	13 Connecting Pipe	S30408
4 Gasket	RPTFE	9 Gland Nut	S30408		
5 Bonnet	S30408	10 Hand Wheel	Y102		

Model No.	Specifications & Dimensions (mm)								Weight(kg)
	H Opening	H Closing	L	D	D0	D1	D2	B	
DJ-25H	295	282	90	Ø100	Ø25	Ø32.5	Ø43.5	8	2.0
DJ-40H	373.5	356	120	Ø125	Ø40	Ø45.5	Ø62	8	4.0
DJ-50H	384.5	361.5	140	Ø140	Ø50	Ø57.5	Ø72	10	5.6
DJ-25HY	295	282	90	Ø100	Ø25	Ø34.5	Ø43.5	8	2.0
DJ-40HY	373.5	356	120	Ø125	Ø40	Ø49	Ø62	8	4.0
DJ-50HY	384.5	361.5	140	Ø140	Ø50	Ø61.1	Ø72	10	5.6

DJ61F-40P

Cryogenic Globe Valve Long Stem

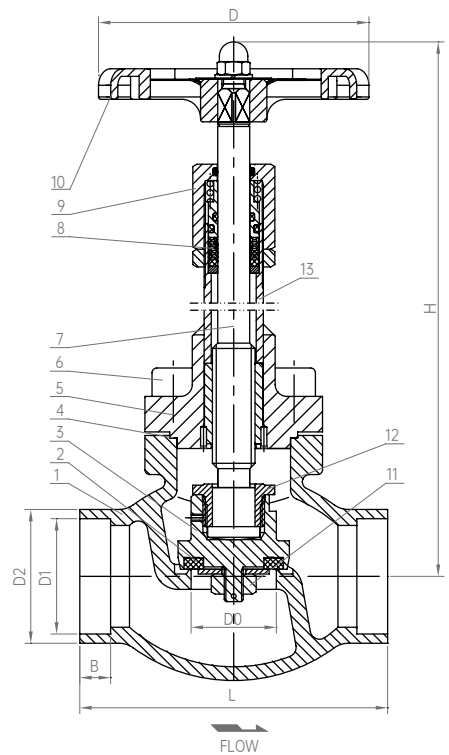
Parameters

PN: 4.0MPa
DN: Ø10~Ø50
Design Temp.: -196°C ~+80°C
Media: LNG, LO₂, LN₂, LAr, CO₂

Connection : Socket Weld



This kind of product has certified by CE, EAC, TS and CCS
Standards: GB/T 24925, EN1626:2008, TR CU 032/2013



Materials

1	Body	CF8	6	Hexagon Screw	S30408	11	Hexagon Nut	S31608
2	Disc Sealing	PCTFE	7	Stem	S31608	12	Connecting Nut	S30408
3	Disc	S31608	8	V ring	PTFE	13	Connecting Pipe	S31608
4	Gasket	RPTFE	9	Gland Nut	S31608			
5	Bonnet	S31608	10	Hand Wheel	Y102			

Model No.	Specifications & Dimensions (mm)								Weight(kg)
	H Opening	H Closing	L	D	D0	D1	D2	B	
DJ-10.005	275.5	266	70	Ø80	Ø12	Ø14.5	Ø24	6	
DJ-15.005	275.5	266	85	Ø80	Ø15	Ø18.5	Ø30	10	
DJ-20.005	280	270	100	Ø125	Ø20	Ø25.5	Ø35.5	13	
DJ-25.005	281.5	270	115	Ø125	Ø25	Ø32.5	Ø42	13	
DJ-40.005	277	260	130	Ø125	Ø36	Ø45.5	Ø56.5	13	
DJ-50.005	278	266	155	Ø125	Ø45	Ø57.5	Ø70	16	
DJ-10Y.005	275.5	266	70	Ø80	Ø12	Ø17.8	Ø24	6	
DJ-15Y.005	275.5	266	85	Ø80	Ø15	Ø22.2	Ø30	10	
DJ-20Y.005	280	270	100	Ø125	Ø20	Ø27.7	Ø35.5	13	
DJ-25Y.005	281.5	270	115	Ø125	Ø25	Ø34.5	Ø42	13	
DJ-40Y.005	277	260	130	Ø125	Ø36	Ø49	Ø56.5	13	
DJ-50Y.005	278	266	155	Ø125	Ø45	Ø61.1	Ø70	16	



DJ61F-63P

Cryogenic Globe Valve Long Stem

Parameters

PN: 6.3MPa

DN: Ø10~Ø50

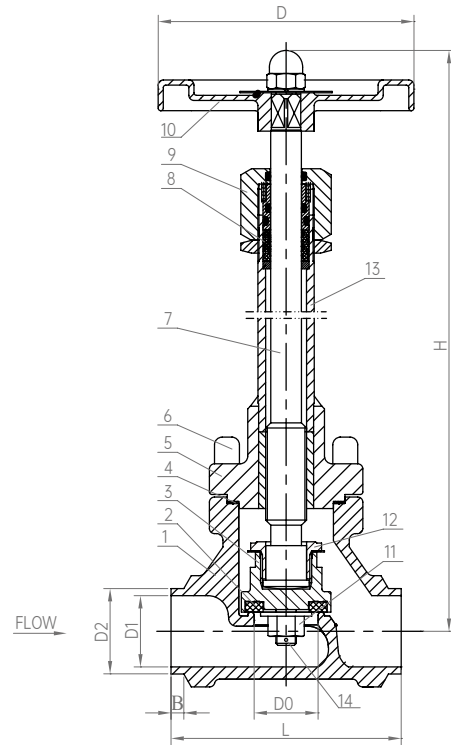
Design Temp.: -196°C ~+80°C

Media: LNG, LO₂, LN₂, LAr, CO₂

Connection : Butt Weld



This kind of product has certified by CE, EAC, TS and CCS
Standards: GB/T 24925, EN1626:2008, TR CU 032/2013



Materials

1 Body	CF8	6 Hexagon Screw	S30408	11 Hexagon Nut	S30408
2 Disc Sealing	PCTFE	7 Stem	S30408	12 Connecting Nut	S30408
3 Disc	S30408	8 V ring	PTFE	13 Connecting Pipe	S30408
4 Gasket	RPTFE	9 Gland Nut	S30408		
5 Bonnet	S30408	10 Hand Wheel	Y102		

Model No.	Specifications & Dimensions (mm)								Weight(kg)
	H Opening	H Closing	L	D	D0	D1	D2	B	
DJ-10AL	221	215	60	Ø65	Ø13	Ø13	Ø17	4	
DJ-15AL	257	248	65	Ø80	Ø15	Ø17.08	Ø21.3	5	
DJ-20AL	263	254	80	Ø80	Ø20	Ø22.48	Ø26.7	5	
DJ-25AL	295	282	90	Ø100	Ø25	Ø27.9	Ø33.4	5	
DJ-32AL	305.5	291	105	Ø100	Ø32	Ø36	Ø42.2	5	
DJ-40AL	373.5	356	120	Ø125	Ø40	Ø43	Ø48.3	5	
DJ-50AL	384.5	361.5	140	Ø140	Ø50	Ø55	Ø60.3	5	
DJ-15KL	257	248	65	Ø80	Ø15	Ø14	Ø18	5	
DJ-20KL	263	254	80	Ø80	Ø20	Ø20	Ø25	5	
DJ-25KL	295	282	90	Ø100	Ø25	Ø27	Ø32	5	
DJ-32KL	305.5	291	105	Ø100	Ø32	Ø32	Ø38	5	
DJ-40KL	373.5	356	120	Ø125	Ø40	Ø39	Ø45	5	
DJ-50KL	384.5	361.5	140	Ø140	Ø50	Ø51	Ø57	5	

DJ61F-40P

Cryogenic Globe Valve Long Stem

Parameters

PN: 4.0MPa

DN: Ø10~Ø50

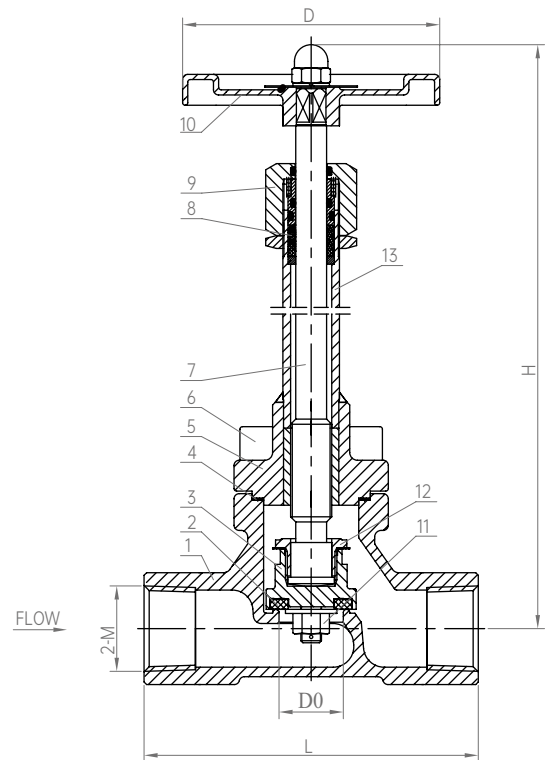
Design Temp.: -196°C ~+80°C

Media: LNG, LO₂, LN₂, LAr, CO₂

Connection : Thread Connection



This kind of product has certified by CE, EAC, TS and CCS
Standards: GB/T 24925, EN1626:2008, TR CU 032/2013



Materials

1	Body	CF8	6	Hexagon Screw	S30408	11	Hexagon Nut	S30408
2	Disc Sealing	PCTFE	7	Stem	S30408	12	Connecting Nut	S30408
3	Disc	S30408	8	V ring	PTFE	13	Connecting Pipe	S30408
4	Gasket	RPTFE	9	Gland Nut	S30408			
5	Bonnet	S30408	10	Hand Wheel	Y102			

Model No.	Specifications & Dimensions (mm)						Weight(kg)
	H Opening	H Closing	L	D	D0	M	
DJ-10(NPT)	221	215	60	Ø65	Ø13	NPT 3/8	
DJ-15(NPT)	257	248	97	Ø65	Ø15	NPT 1/2	1.4
DJ-20(NPT)	263	254	112	Ø80	Ø20	NPT 3/4	
DJ-25(NPT)	295	282	130	Ø90	Ø25	NPT 1	2.4
DJ-40(NPT)	373.5	356	176	Ø125	Ø40	NPT 1 1/2	4.7



DJ61F-40P

Cryogenic Globe Valve Short Stem

Parameters

PN: 4.0MPa

DN: Ø10~Ø50

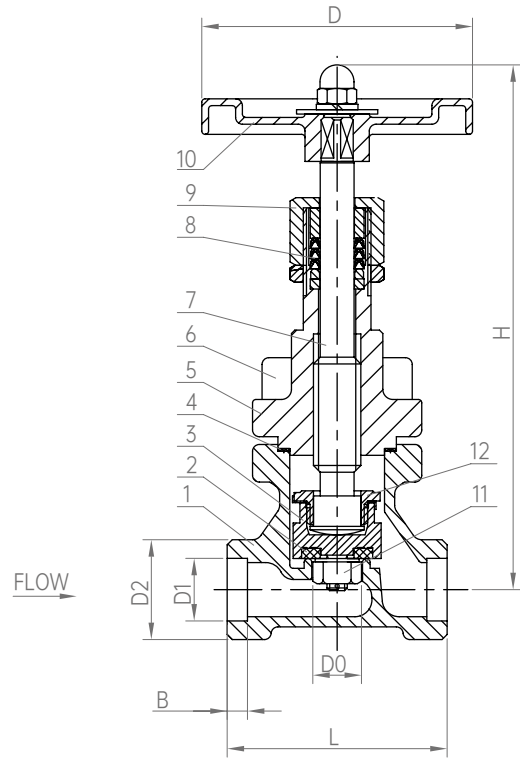
Design Temp.: -40°C ~+80°C

Media: NG, O₂, N₂, Ar, CO₂

Connection : Socket Weld



This kind of product has certified by CE, EAC, TS and CCS
Standards: GB/T 24925, EN1626:2008, TR CU 032/2013



Materials

1	Body	CF8	6	Hexagon Screw	S30408	11	Hexagon Nut	S30408
2	Disc Sealing	PTFE	7	Stem	S30408	12	Connecting Nut	S30408
3	Disc	S30408	8	V ring	PTFE	13	Connecting Pipe	S30408
4	Gasket	RPTFE	9	Gland Nut	S30408			
5	Bonnet	S30408	10	Hand Wheel	Y102			

Model No.	Specifications & Dimensions (mm)								Weight(kg)
	H Opening	H Closing	L	D	D0	D1	D2	B	
DJ-10G	120	114	60	Ø65	Ø13	Ø14.5	Ø24	6	0.8
DJ-15G	146	137	65	Ø80	Ø15	Ø18.5	Ø29.5	6	1.0
DJ-20G	150	139	80	Ø80	Ø20	Ø25.5	Ø36	8	1.4
DJ-25G	173	159.5	90	Ø100	Ø25	Ø32.5	Ø43.5	8	1.8
DJ-32G	183	168.5	105	Ø100	Ø32	Ø38.5	Ø53	8	2.5
DJ-40G	222.5	205	120	Ø125	Ø40	Ø45.5	Ø62	8	3.6
DJ-50G	231.5	210.5	140	Ø140	Ø50	Ø57.5	Ø72	10	5.0
DJ-10GY	120	114	60	Ø65	Ø13	Ø17.8	Ø24	6	0.8
DJ-15GY	146	137	65	Ø80	Ø15	Ø22.2	Ø29.5	6	1.0
DJ-20GY	150	139	80	Ø80	Ø20	Ø27.7	Ø36	8	1.4
DJ-25GY	173	159.5	90	Ø100	Ø25	Ø34.5	Ø43.5	8	1.9
DJ-32GY	183	168.5	105	Ø100	Ø32	Ø43.2	Ø53	8	2.5
DJ-40GY	222.5	205	120	Ø125	Ø40	Ø49	Ø62	8	3.4
DJ-50GY	231.5	210.5	140	Ø140	Ø50	Ø61.1	Ø72	10	5.0

DJ61F-40P

Cryogenic Globe Valve Short Stem

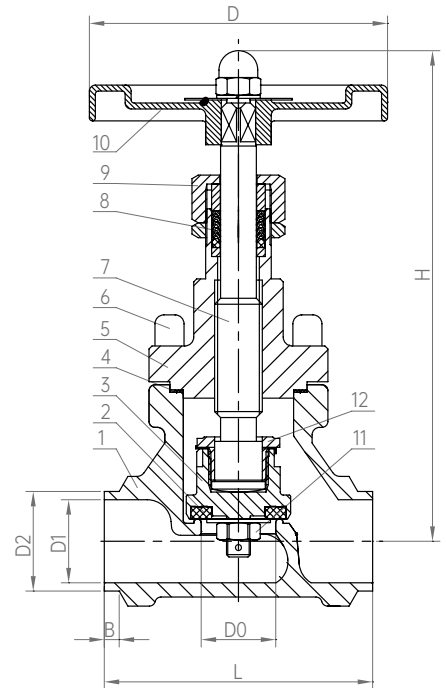
Parameters

PN: 4.0MPa
DN: Ø10~Ø50
Design Temp.: -40°C ~+80°C
Media: NG. O₂. N₂. Ar. CO₂

Connection : Butt Weld



This kind of product has certified by CE, EAC, TS and CCS
Standards: GB/T 24925, EN1626:2008, TR CU 032/2013



Materials

1	Body	CF8	6	Hexagon Screw	S30408	11	Hexagon Nut	S30408
2	Disc Sealing	PTFE	7	Stem	S30408	12	Connecting Nut	S30408
3	Disc	S30408	8	V ring	PTFE	13	Connecting Pipe	S30408
4	Gasket	RPTFE	9	Gland Nut	S30408			
5	Bonnet	S30408	10	Hand Wheel	Y102			

Model No.	Specifications & Dimensions (mm)								Weight(kg)
	H Opening	H Closing	L	D	D0	D1	D2	B	
DJ-10GA	120	114	60	Ø65	Ø13	Ø13	Ø17	4	0.8
DJ-15GA	146	137	65	Ø80	Ø15	Ø17.08	Ø21.3	5	1.0
DJ-20GA	150	139	80	Ø80	Ø20	Ø22.48	Ø26.7	5	1.4
DJ-25GA	173	159.5	90	Ø100	Ø25	Ø27.9	Ø33.4	5	1.8
DJ-32GA	183	168.5	105	Ø100	Ø32	Ø36	Ø42.2	5	2.5
DJ-40GA	222.5	205	120	Ø125	Ø40	Ø43	Ø48.3	5	3.6
DJ-50GA	231.5	210.5	140	Ø140	Ø50	Ø55	Ø60.3	5	5.0
DJ-15GK	146	137	65	Ø80	Ø15	Ø14	Ø18	5	1.0
DJ-20GK	150	139	80	Ø80	Ø20	Ø20	Ø25	5	1.4
DJ-25GK	173	159.5	90	Ø100	Ø25	Ø27	Ø32	5	1.9
DJ-32GK	183	168.5	105	Ø100	Ø32	Ø32	Ø38	5	2.5
DJ-40GK	222.5	205	120	Ø125	Ø40	Ø39	Ø45	5	3.4
DJ-50GK	231.5	210.5	140	Ø140	Ø50	Ø51	Ø57	5	5.0



DJ61F-63P

Cryogenic Globe Valve Short Stem

Parameters

PN: 6.3MPa

DN: Ø10~Ø50

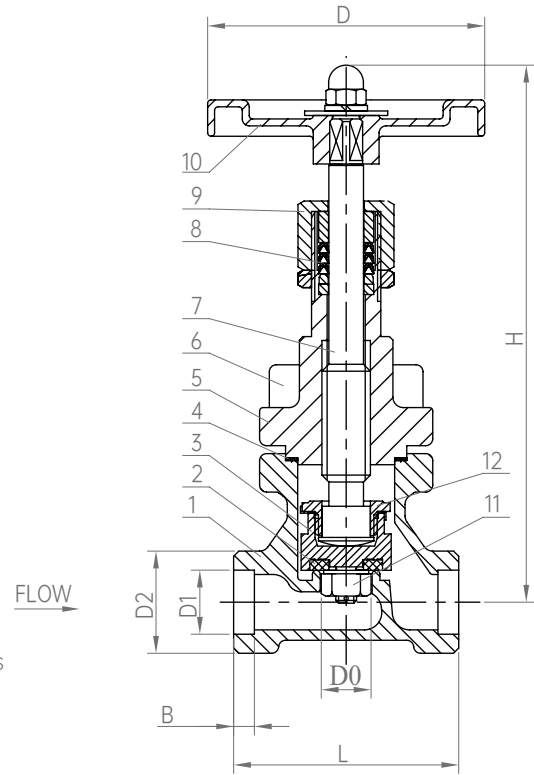
Design Temp.: -40°C ~+80°C

Media: NG. O₂. N₂. Ar. CO₂

Connection : Socket Weld



This kind of product has certified by CE, EAC, TS and CCS
Standards: GB/T 24925, EN1626:2008, TR CU 032/2013



Materials

1 Body	CF8	6 Hexagon Screw	S30408	11 Hexagon Nut	S30408
2 Disc Sealing	PTFE	7 Stem	S30408	12 Connecting Nut	S30408
3 Disc	S30408	8 V ring	PTFE	13 Connecting Pipe	S30408
4 Gasket	RPTFE	9 Gland Nut	S30408		
5 Bonnet	S30408	10 Hand Wheel	Y102		

Model No.	Specifications & Dimensions (mm)								Weight(kg)
	H Opening	H Closing	L	D	D0	D1	D2	B	
DJ-10GL	131	125	60	Ø65	Ø13	Ø14.5	Ø24	6	
DJ-15GL	150	141	65	Ø80	Ø15	Ø18.5	Ø29.5	6	
DJ-20GL	158	147	80	Ø80	Ø20	Ø25.5	Ø36	8	
DJ-25GL	180	167	90	Ø100	Ø25	Ø32.5	Ø43.5	8	
DJ-32GL	190	176	105	Ø100	Ø32	Ø38.5	Ø53	8	
DJ-40GL	230.5	213	120	Ø125	Ø40	Ø45.5	Ø62	8	
DJ-50GL	241.5	218.5	140	Ø140	Ø50	Ø57.5	Ø72	10	
DJ-10GYL	210	204	60	Ø65	Ø13	Ø17.8	Ø24	6	
DJ-15GYL	253	244	65	Ø80	Ø15	Ø22.2	Ø29.5	6	
DJ-20GYL	257	246	80	Ø80	Ø20	Ø27.7	Ø36	8	
DJ-25GYL	288	274.5	90	Ø100	Ø25	Ø34.5	Ø43.5	8	
DJ-32GYL	298	283.5	105	Ø100	Ø32	Ø43.2	Ø53	8	
DJ-40GYL	365.5	348	120	Ø125	Ø40	Ø49	Ø62	8	
DJ-50GYL	374.5	353.5	140	Ø140	Ø50	Ø61.1	Ø72	10	

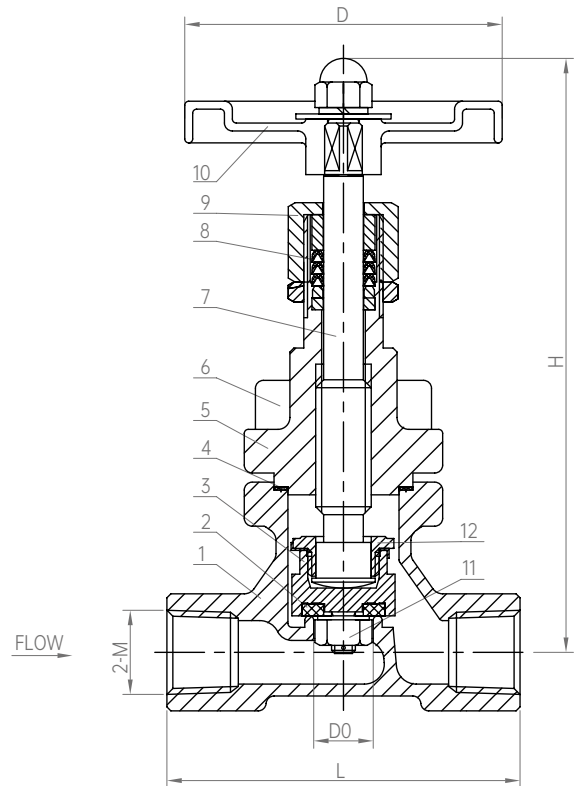
DJ61F-40P

Cryogenic Globe Valve Short Stem

Parameters

PN: 4.0MPa
DN: Ø10~Ø50
Design Temp.: -40°C ~+80°C
Media: NG, O₂, N₂, Ar, CO₂

Connection : Thread Connection



This kind of product has certified by CE, EAC, TS and CCS
Standards: GB/T 24925, EN1626:2008, TR CU 032/2013

Materials

1	Body	CF8	6	Hexagon Screw	S30408	11	Hexagon Nut	S30408
2	Disc Sealing	PTFE	7	Stem	S30408	12	Connecting Nut	S30408
3	Disc	S30408	8	V ring	PTFE	13	Connecting Pipe	S30408
4	Gasket	RPTFE	9	Gland Nut	S30408			
5	Bonnet	S30408	10	Hand Wheel	Y102			

Model No.	Specifications & Dimensions (mm)						Weight(kg)
	H Opening	H Closing	L	D	D0	M	
DJ-10NPT	131	125	60	Ø65	Ø13	NPT 3/8	
DJ-15NPT	150	141	97	Ø65	Ø15	NPT 1/2	1.1
DJ-20NPT	158	147	112	Ø80	Ø20	NPT 3/4	
DJ-25NPT	180	167	130	Ø90	Ø25	NPT 1	2.1
DJ-40NPT	230.5	213	176	Ø125	Ø40	NPT 1 1/2	4.3



DJ61F-20P

Cryogenic Globe Valve Long Stem

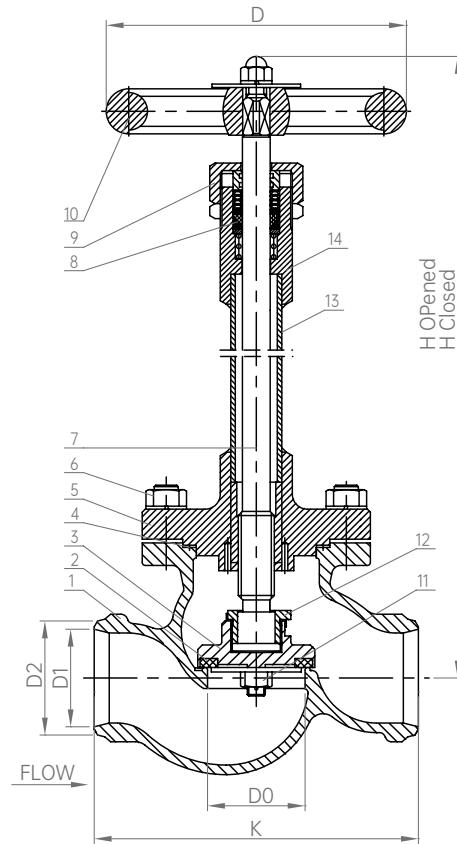
Parameters

PN: 2.0MPa
DN: Ø65~Ø100
Design Temp.: -196°C ~+80°C
Media: LNG, LO₂, LN₂, LAr, CO₂

Connection : Butt Weld



This kind of product has certified by CE, EAC, TS and CCS
Standards: GB/T 24925, EN1626:2008, TR CU 032/2013



Materials

1 Body	CF8	6 Hexagon Screw	S30408	11 Hexagon Nut	S30408
2 Disc Sealing	PCTFE	7 Stem	S30408	12 Connecting Nut	S30408
3 Disc	S30408	8 V ring	PTFE	13 Connecting Pipe	S30408
4 Gasket	RPTFE	9 Gland Nut	S30408	14 Gland Packings	S30408
5 Bonnet	S30408	10 Hand Wheel	HT200		

Model No.	Specifications & Dimensions (mm)							Weight(kg)
	H Opened	H Closed	L	D	D0	D1	D2	
DJ-65	520	495	216	Ø200	Ø65	Ø70	Ø76	15.4
DJ-80	549	522	241	Ø250	Ø80	Ø81	Ø89	22.8
DJ-100	634	601	292	Ø315	Ø100	Ø100	Ø108	31.8
DJ-100C	634	601	275	Ø315	Ø100	Ø106.3	Ø114.3	31.8

DJ61F-40P

Cryogenic Globe Valve Long Stem

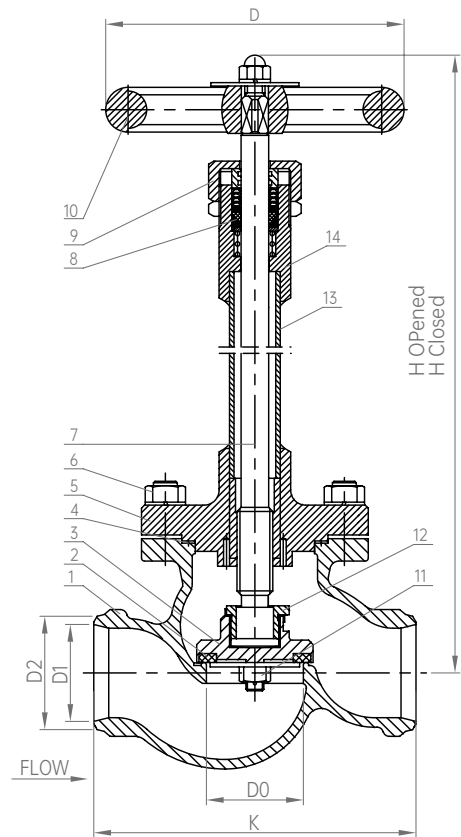
Parameters

PN: 4.0MPa
DN: Ø65~Ø100
Design Temp.: -196°C ~+80°C
Media: LNG, LO₂, LN₂, LAr, CO₂

Connection : Butt Weld



This kind of product has certified by CE, EAC, TS and CCS
Standards: GB/T 24925, EN1626:2008, TR CU 032/2013



Materials

1	Body	CF8	6	Hexagon Screw	S30408	11	Hexagon Nut	S30408
2	Disc Sealing	PCTFE	7	Stem	S30408	12	Connecting Nut	S30408
3	Disc	S30408	8	V ring	PTFE	13	Connecting Pipe	S30408
4	Gasket	RPTFE	9	Gland Nut	S30408	14	Gland Packings	S30408
5	Bonnet	S30408	10	Hand Wheel	HT200			

Model No.	Specifications & Dimensions (mm)							Weight(kg)
	H Opened	H Closed	L	D	D0	D1	D2	
DJ-65A1	520	495	216	Ø200	Ø65	Ø70	Ø76	15.4
DJ-80A1	549	522	241	Ø250	Ø80	Ø81	Ø89	22.8
DJ-100A1	634	601	292	Ø315	Ø100	Ø100	Ø108	31.8
DJ-100C1	634	601	275	Ø315	Ø100	Ø106.3	Ø114.3	31.8



DJ61F-63P

Cryogenic Globe Valve Long Stem

www.baituvalves.com

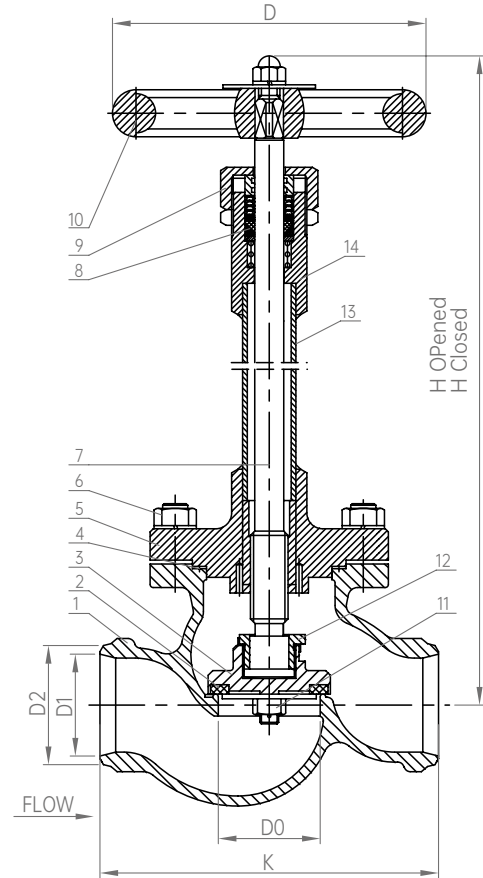
Parameters

PN: 6.3MPa
DN: Ø65~Ø100
Design Temp.: -196°C ~+80°C
Media: LNG, LO₂, LN₂, LAr, CO₂

Connection : Butt Weld



This kind of product has certified by CE, EAC, TS and CCS
Standards: GB/T 24925, EN1626:2008, TR CU 032/2013



Materials

1 Body	CF8	6 Hexagon Screw	S30408	11 Hexagon Nut	S30408
2 Disc Sealing	PCTFE	7 Stem	S30408	12 Connecting Nut	S30408
3 Disc	S30408	8 V ring	PTFE	13 Connecting Pipe	S30408
4 Gasket	RPTFE	9 Gland Nut	S30408	14 Gland Packings	S30408
5 Bonnet	S30408	10 Hand Wheel	HT200		

Model No.	Specifications & Dimensions (mm)							Weight(kg)
	H Opened	H Closed	L	D	D0	D1	D2	
DJ-65A2	520	495	216	Ø200	Ø65	Ø70	Ø76	15.4
DJ-80A2	549	522	241	Ø250	Ø80	Ø81	Ø89	22.8
DJ-100A2	634	601	292	Ø315	Ø100	Ø100	Ø108	31.8
DJ-100C2	634	601	275	Ø315	Ø100	Ø106.3	Ø114.3	31.8

DJ61F-20P

Cryogenic Globe Valve Long Stem

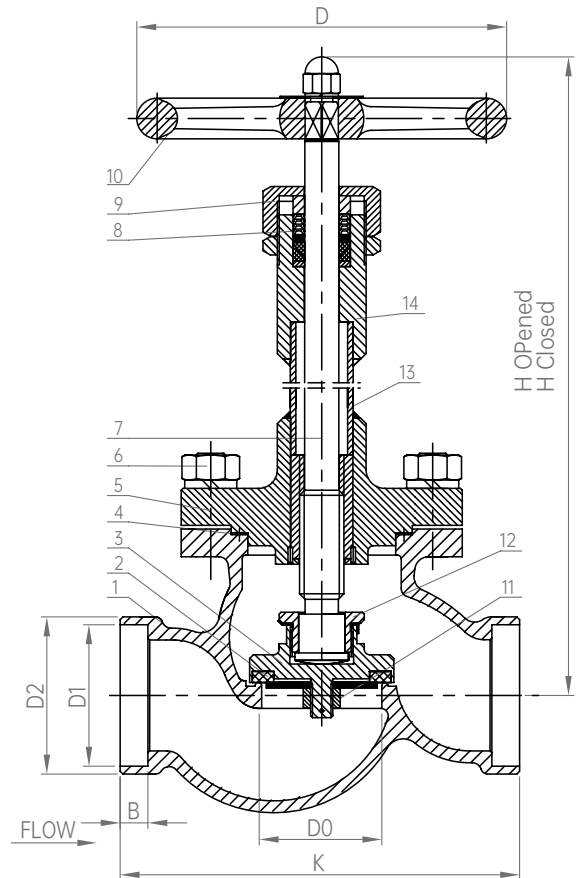
Parameters

PN: 2.0MPa
 DN: Ø65~Ø100
 Design Temp.: -196°C ~+80°C
 Media: LNG, LO₂, LN₂, LAr, CO₂

Connection : Socket Weld



This kind of product has certified by CE, EAC, TS and CCS
 Standards: GB/T 24925, EN1626:2008, TR CU 032/2013



Materials

1	Body	CF8	6	Hexagon Screw	S30408	11	Hexagon Nut	S30408
2	Disc Sealing	PCTFE	7	Stem	S30408	12	Connecting Nut	S30408
3	Disc	S30408	8	V ring	PTFE	13	Connecting Pipe	S30408
4	Gasket	RPTFE	9	Gland Nut	S30408	14	Gland Packings	S30408
5	Bonnet	S30408	10	Hand Wheel	HT200			

Model No.	Specifications & Dimensions (mm)								Weight(kg)
	H Opened	H Closed	L	D	D0	D1	D2	B	
DJ-65B	520	495	216	Ø200	Ø65	Ø76.5	Ø85	15	15.4
DJ-80B	549	522	241	Ø250	Ø80	Ø89.5	Ø103	15	22.8
DJ-100B	634	601	292	Ø315	Ø100	Ø108.5	Ø120	15	31.8



DJ61F-40P

Cryogenic Globe Valve Long Stem

Parameters

PN: 4.0MPa

DN: Ø65~Ø100

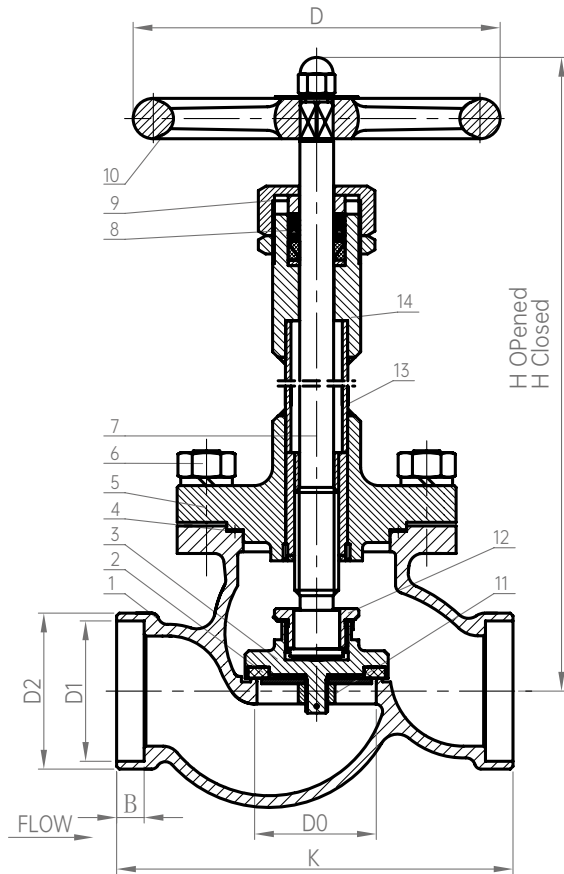
Design Temp.: -196°C ~+80°C

Media: LNG, LO₂, LN₂, LAr, CO₂

Connection : Socket Weld



This kind of product has certified by CE, EAC, TS and CCS
Standards: GB/T 24925, EN1626:2008, TR CU 032/2013



Materials

1 Body	CF8	6 Hexagon Screw	S30408	11 Hexagon Nut	S30408
2 Disc Sealing	PCTFE	7 Stem	S30408	12 Connecting Nut	S30408
3 Disc	S30408	8 V ring	PTFE	13 Connecting Pipe	S30408
4 Gasket	RPTFE	9 Gland Nut	S30408	14 Gland Packings	S30408
5 Bonnet	S30408	10 Hand Wheel	HT200		

Model No.	Specifications & Dimensions (mm)								Weight(kg)
	H Opened	H Closed	L	D	D0	D1	D2	B	
DJ-65B1	520	495	216	Ø200	Ø65	Ø76.5	Ø85	15	15.4
DJ-80B1	549	522	241	Ø250	Ø80	Ø89.5	Ø103	15	22.8
DJ-100B1	634	601	292	Ø315	Ø100	Ø108.5	Ø120	15	31.8

DJ61F-63P

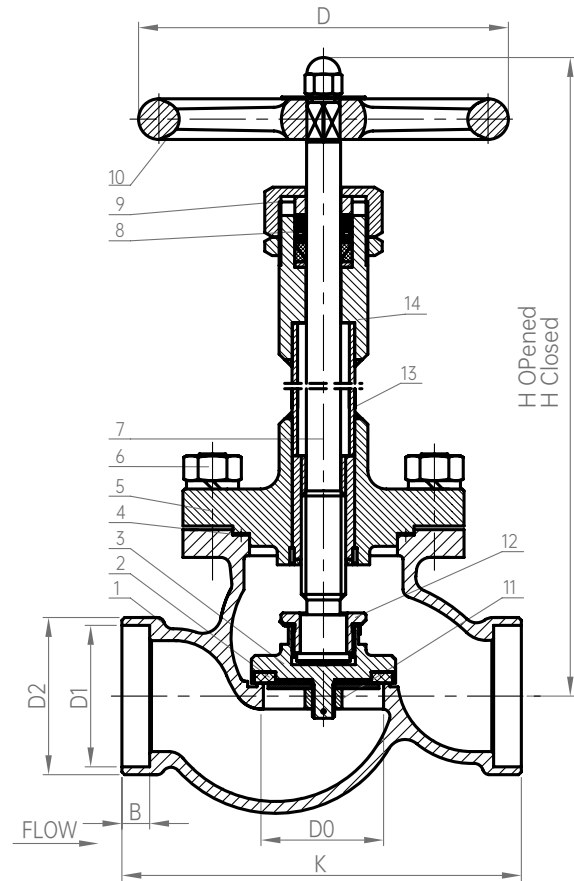
Cryogenic Globe Valve Long Stem

Parameters

PN: 6.3MPa
 DN: Ø65~Ø100
 Design Temp.: -196°C ~+80°C
 Media: LNG, LO₂, LN₂, LAr, CO₂
 Connection : Socket Weld



This kind of product has certified by CE, EAC, TS and CCS
 Standards: GB/T 24925, EN1626:2008, TR CU 032/2013



Materials

1	Body	CF8	6	Hexagon Screw	S30408	11	Hexagon Nut	S30408
2	Disc Sealing	PCTFE	7	Stem	S30408	12	Connecting Nut	S30408
3	Disc	S30408	8	V ring	PTFE	13	Connecting Pipe	S30408
4	Gasket	RPTFE	9	Gland Nut	S30408	14	Gland Packings	S30408
5	Bonnet	S30408	10	Hand Wheel	HT200			

Model No.	Specifications & Dimensions (mm)								Weight(kg)
	H Opened	H Closed	K	D	D0	D1	D2	B	
DJ-65B2	520	495	216	Ø200	Ø65	Ø76.5	Ø85	15	15.4
DJ-80B2	549	522	241	Ø250	Ø80	Ø89.5	Ø103	15	22.8
DJ-100B2	634	601	292	Ø315	Ø100	Ø108.5	Ø120	15	31.8



DJ61F-20P

Cryogenic Globe Valve Short Stem

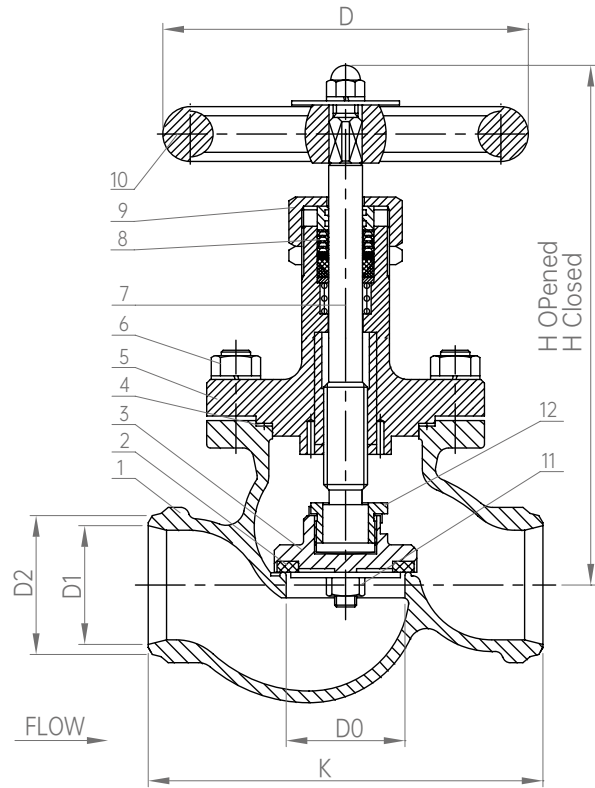
Parameters

PN: 2.0MPa
DN: Ø65~Ø100
Design Temp.: -40°C ~+80°C
Media: NG. O₂. N₂. Ar. CO₂

Connection : Butt Weld



This kind of product has certified by CE, EAC, TS and CCS
Standards: GB/T 24925, EN1626:2008, TR CU 032/2013



Materials

1 Body	CF8	5 Bonnet	S30408	9 Gland Nut	S30408
2 Disc Sealing	PTFE	6 Hexagon Screw	S30408	10 Hand Wheel	HT200
3 Disc	S30408	7 Stem	S30408	11 Hexagon Nut	S30408
4 Gasket	RPTFE	8 Vring	PTFE	12 Connecting Nut	S30408

Model No.	Specifications & Dimensions (mm)							Weight(kg)
	H Opened	H Closed	K	D	D0	D1	D2	
DJ-65G	275	250	216	Ø200	Ø65	Ø70	Ø76	14
DJ-80G	316	288	241	Ø250	Ø80	Ø81	Ø89	21
DJ-100G	346	313	292	Ø315	Ø100	Ø100	Ø108	
DJ-100GC	346	313	275	Ø315	Ø100	Ø106.3	Ø114.3	

DJ61F-40P

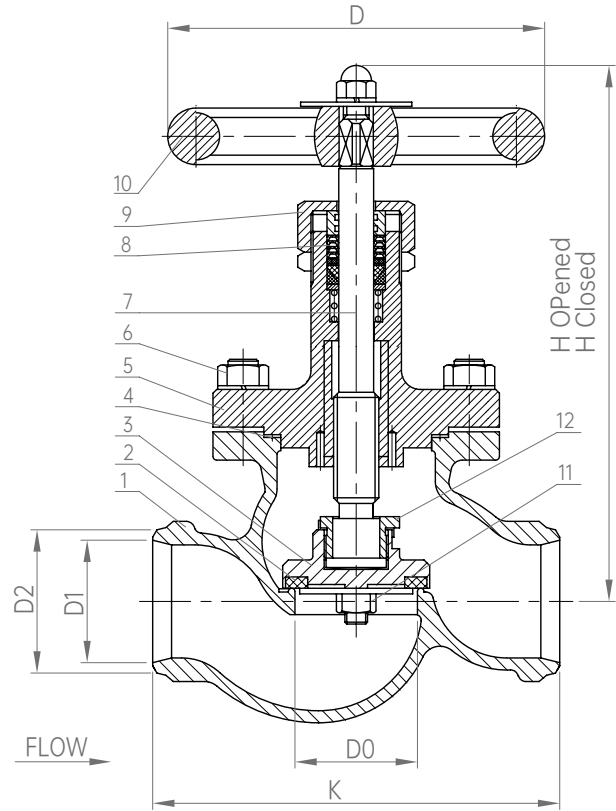
Cryogenic Globe Valve Short Stem

Parameters

PN: 4.0MPa
 DN: Ø65~Ø100
 Design Temp.: -40°C ~+80°C
 Media: NG, O₂, N₂, Ar, CO₂
 Connection : Butt Weld



This kind of product has certified by CE, EAC, TS and CCS
 Standards: GB/T 24925, EN1626:2008, TR CU 032/2013



Materials

1	Body	CF8	5	Bonnet	S30408	9	Gland Nut	S30408
2	Disc Sealing	PTFE	6	Hexagon Screw	S30408	10	Hand Wheel	HT200
3	Disc	S30408	7	Stem	S30408	11	Hexagon Nut	S30408
4	Gasket	RPTFE	8	Vring	PTFE	12	Connecting Nut	S30408

Model No.	Specifications & Dimensions (mm)							Weight(kg)
	H Opened	H Closed	K	D	D0	D1	D2	
DJ-65G1	275	250	216	Ø200	Ø65	Ø70	Ø76	14
DJ-80G1	316	288	241	Ø250	Ø80	Ø81	Ø89	21
DJ-100G1	346	313	292	Ø315	Ø100	Ø100	Ø108	
DJ-100GC1	346	313	275	Ø315	Ø100	Ø106.3	Ø114.3	



DJ61F-63P

Cryogenic Globe Valve Short Stem

Parameters

PN: 6.3MPa

DN: Ø65~Ø100

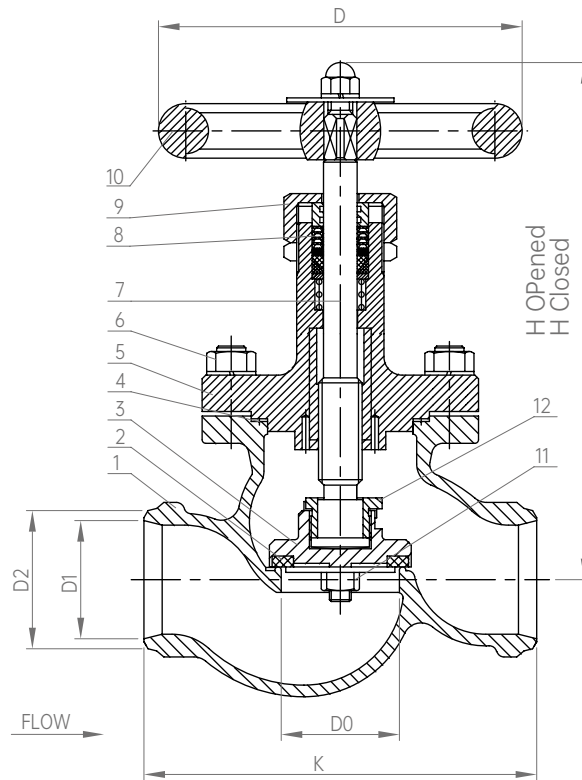
Design Temp.: -40°C ~+80°C

Media: NG. O₂. N₂. Ar. CO₂

Connection : Butt Weld



This kind of product has certified by CE, EAC, TS and CCS
Standards: GB/T 24925, EN1626:2008, TR CU 032/2013



Materials

1 Body	CF8	5 Bonnet	S30408	9 Gland Nut	S30408
2 Disc Sealing	PTFE	6 Hexagon Screw	S30408	10 Hand Wheel	HT200
3 Disc	S30408	7 Stem	S30408	11 Hexagon Nut	S30408
4 Gasket	RPTFE	8 Vring	PTFE	12 Connecting Nut	S30408

Model No.	Specifications & Dimensions (mm)							Weight(kg)
	H Opened	H Closed	K	D	D0	D1	D2	
DJ-65G2	275	250	216	Ø200	Ø65	Ø70	Ø76	14
DJ-80G2	316	288	241	Ø250	Ø80	Ø81	Ø89	21
DJ-100G2	346	313	292	Ø315	Ø100	Ø100	Ø108	
DJ-100GC2	346	313	275	Ø315	Ø100	Ø106.3	Ø114.3	

DJ61F-20P

Cryogenic Globe Valve Short Stem

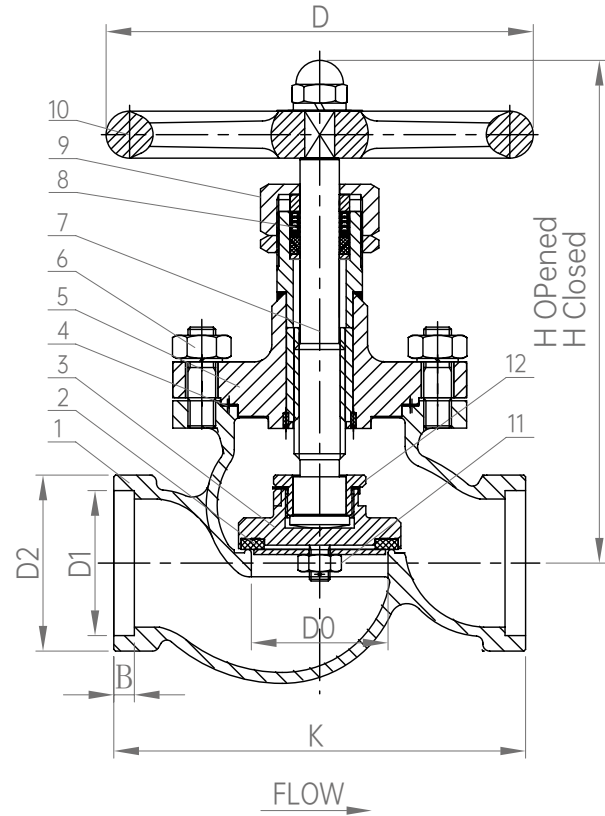
Parameters

PN: 2.0MPa
DN: Ø65~Ø100
Design Temp.: -40°C ~+80°C
Media: NG, O₂, N₂, Ar, CO₂

Connection : Socket Weld



This kind of product has certified by CE, EAC, TS and CCS
Standards: GB/T 24925, EN1626:2008, TR CU 032/2013



Materials

1	Body	CF8	5	Bonnet	S30408	9	Gland Nut	S30408
2	Disc Sealing	PTFE	6	Hexagon Screw	S30408	10	Hand Wheel	HT200
3	Disc	S30408	7	Stem	S30408	11	Hexagon Nut	S30408
4	Gasket	RPTFE	8	Vring	PTFE	12	Connecting Nut	S30408

Model No.	Specifications & Dimensions (mm)							Weight(kg)
	H Opened	H Closed	K	D	D0	D1	D2	
DJ-65GB	275	250	216	Ø200	Ø65	Ø76.5	Ø85	14
DJ-80GB	316	288	241	Ø250	Ø80	Ø89.5	Ø103	21
DJ-100GB	346	313	292	Ø315	Ø100	Ø109	Ø120	



DJ61F-20P

Cryogenic Globe Valve Long Stem

Parameters

PN: 2.0MPa

DN: Ø65~Ø100

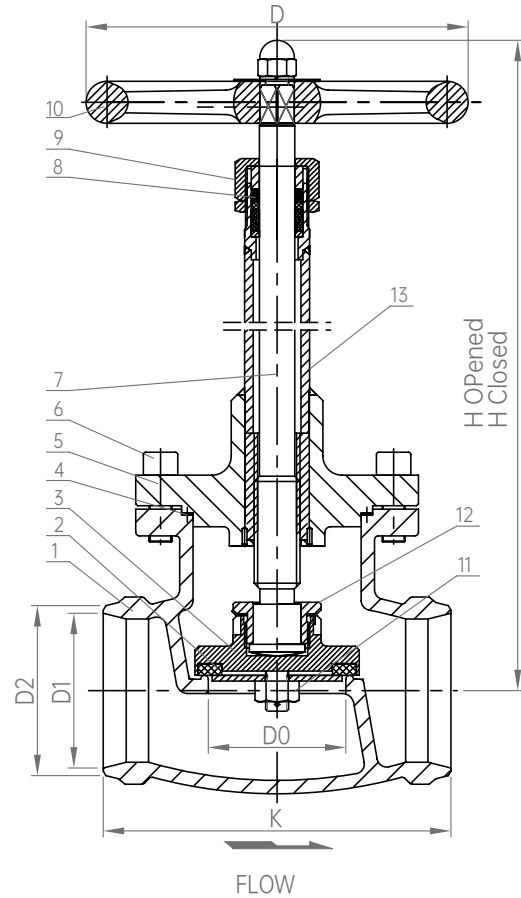
Design Temp.: -196°C ~+80°C

Media: LNG, LO₂, LN₂, LAr, CO₂

Connection : Butt Weld



This kind of product has certified by CE, EAC, TS and CCS
Standards: GB/T 24925, EN1626:2008, TR CU 032/2013



Materials

1	Body	CF8	6	Hexagon Screw	S30408	10	Hand Wheel	Y102/HT200
2	Disc Sealing	PFA	7	Stem	S30408	11	Hexagon Nut	S30408
3	Disc	S30408	8	V ring	PTFE	12	Connecting Nut	S30408
4	Gasket	RPTFE	9	Gland Nut	S30408	13	Connecting Pipe	S30408
5	Bonnet	S30408						

Model No.	Specifications & Dimensions (mm)							Weight(kg)
	H Opened	H Closed	K	D	D0	D1	D2	
DJ-65.001	410	388	150	Ø140	Ø58	Ø70	Ø76	15.4
DJ-80.001	530	500	182	Ø200	Ø72	Ø81	Ø89	22.8
DJ-100.001	568	528	226	Ø250	Ø90	Ø100	Ø108	31.8

DJ61F-20P

Cryogenic Globe Valve Long Stem

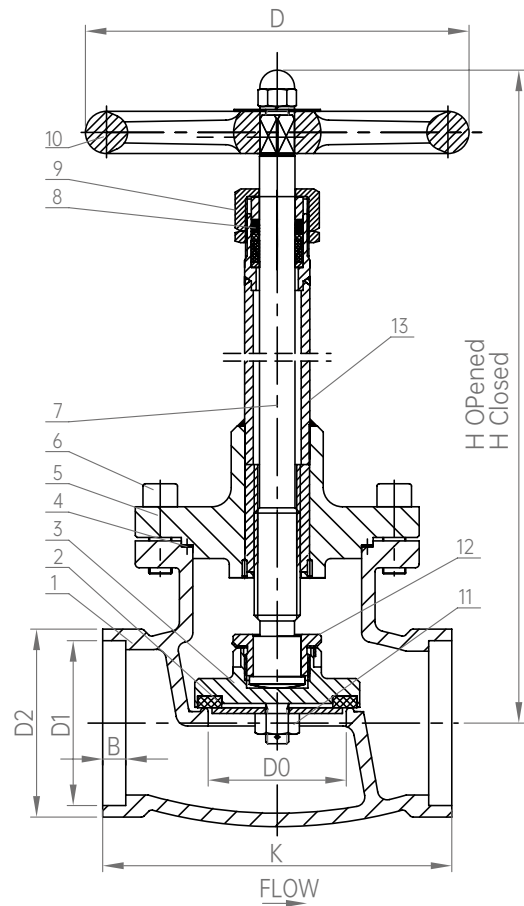
Parameters

PN: 2.0MPa
 DN: Ø65~Ø100
 Design Temp.: -196°C ~+80°C
 Media: LNG. LO₂. LN₂. LAr. CO₂

Connection : Socket Weld



This kind of product has certified by CE, EAC, TS and CCS
 Standards: GB/T 24925, EN1626:2008, TR CU 032/2013



Materials

1	Body	CF8	6	Hexagon Screw	S30408	10	Hand Wheel	Y102/HT200
2	Disc Sealing	PFA	7	Stem	S30408	11	Hexagon Nut	S30408
3	Disc	S30408	8	V ring	PTFE	12	Connecting Nut	S30408
4	Gasket	RPTFE	9	Gland Nut	S30408	13	Connecting Pipe	S30408
5	Bonnet	S30408						

Model No.	Specifications & Dimensions (mm)								Weight(kg)
	H Opened	H Closed	K	D	D0	D1	D2	B	
DJ-65B.001	410	388	150	Ø140	Ø58	Ø76.5	Ø85	7	15.4
DJ-80B.001	530	500	182	Ø200	Ø72	Ø89.5	Ø98	10	22.8
DJ-100B.001	568	528	226	Ø250	Ø90	Ø108.5	Ø120	10	31.8



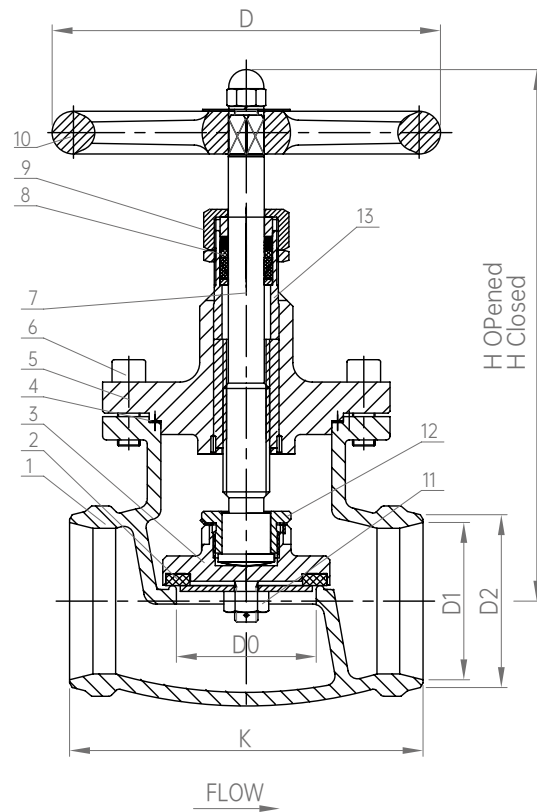
DJ61F-20P

Cryogenic Globe Valve Short Stem

Parameters

PN: 2.0MPa
DN: Ø65~Ø100
Design Temp.: -40°C ~+80°C
Media: NG. O₂. N₂. Ar. CO₂

Connection : Butt Weld



This kind of product has certified by CE, EAC, TS and CCS
Standards: GB/T 24925, EN1626:2008, TR CU 032/2013

Materials

1 Body	CF8	6 Hexagon Screw	S30408	10 Hand Wheel	Y102/HT200
2 Disc Sealing	PFA	7 Stem	S30408	11 Hexagon Nut	S30408
3 Disc	S30408	8 V ring	PTFE	12 Connecting Nut	S30408
4 Gasket	RPTFE	9 Gland Nut	S30408	13 Connecting Pipe	S30408
5 Bonnet	S30408				

Model No.	Specifications & Dimensions (mm)							Weight(kg)
	H Opened	H Closed	K	D	D0	D1	D2	
DJ-65G.001	256	234	150	Ø140	Ø58	Ø70	Ø76	14
DJ-80G.001	303.5	273.9	182	Ø200	Ø72	Ø81	Ø89	21
DJ-100G.001	334	294.4	226	Ø250	Ø90	Ø100	Ø108	

DJ61F-40P

Cryogenic Globe Valve Long Stem

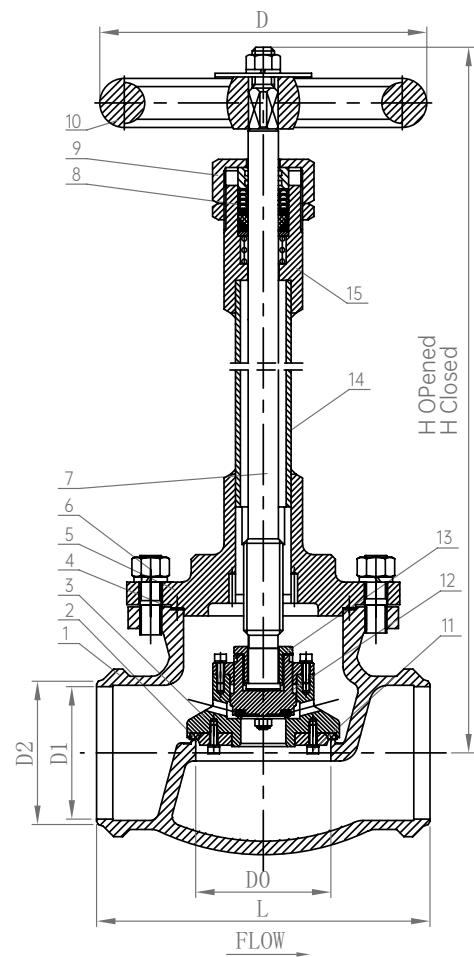
Parameters

PN: 4.0MPa
DN: Ø150
Design Temp.: -196°C ~+80°C
Media: LNG. LO₂. LN₂. LAr. CO₂

Connection : Butt Weld



This kind of product has certified by CE, EAC, TS and CCS
Standards: GB/T 24925, EN1626:2008, TR CU 032/2013



Materials

1	Body	CF8	6	Nut	S30408	11	Screw	S30408
2	Disc Sealing	PCTFE	7	Stem	S30408	12	Pilot Disc	S30408
3	Disc	S30408	8	V ring	PTFE	13	Connecting Nut	S30408
4	Gasket	RPTFE	9	Gland Nut	S30408	14	Connecting Pipe	S30408
5	Bonnet	S30408	10	Hand Wheel	HT200	15	Gland Packings	S30408

Model No.	Specifications & Dimensions (mm)							Weight(kg)
	H Opened	H Closed	L	D	D0	D1	D2	
DJ-150A1	710	670	379	Ø315	Ø150	Ø147	Ø159	78



DJ61F-40P

Cryogenic Globe Valve Angle Type Long Stem

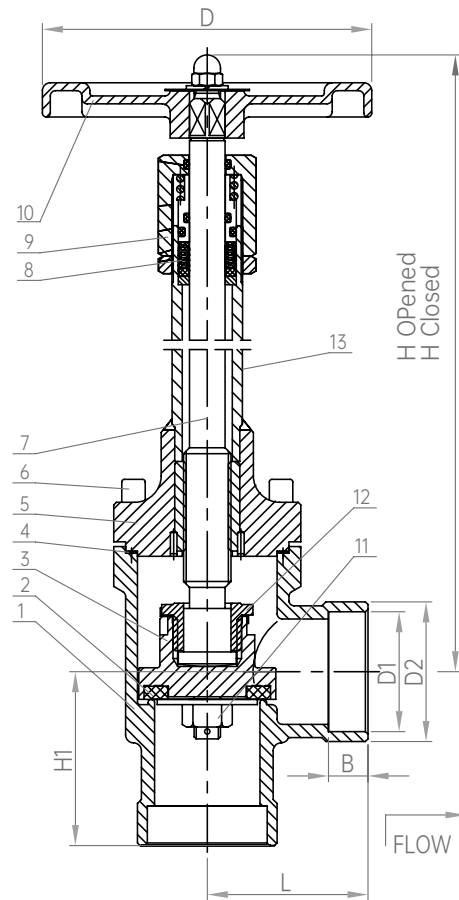
Parameters

PN: 4.0MPa
DN: Ø32~Ø50
Design Temp.: -196°C ~+80°C
Media: LNG, LO₂, LN₂, LAr, CO₂

Connection : Socket Weld



This kind of product has certified by CE, EAC, TS and CCS
Standards: GB/T 24925, EN1626:2008, TR CU 032/2013



Materials

1	Body	CF8	6	Hexagon Screw	S30408	10	Hand Wheel	Y102
2	Disc Sealing	PCTFE	7	Stem	S30408	11	Hexagon Nut	S30408
3	Disc	S30408	8	V ring	PTFE	12	Connecting Nut	S30408
4	Gasket	RPTFE	9	Gland Nut	S30408	13	Connecting Pipe	S30408
5	Bonnet	S30408						

Model No.	Specifications & Dimensions (mm)								Weight(kg)
	H Opened	H Closed	H1	L	D	D1	D2	B	
DJZ-32	342	325	81	76	Ø125	Ø38.5	Ø52	8	3.5
DJZ-40	342	325	66	61	Ø125	Ø45.5	Ø53	15	3.3
DJ-50J	378.5	345.5	70	70	Ø140	Ø57.5	Ø72	15	

DJ41F-40P

Cryogenic Globe Valve Long Stem

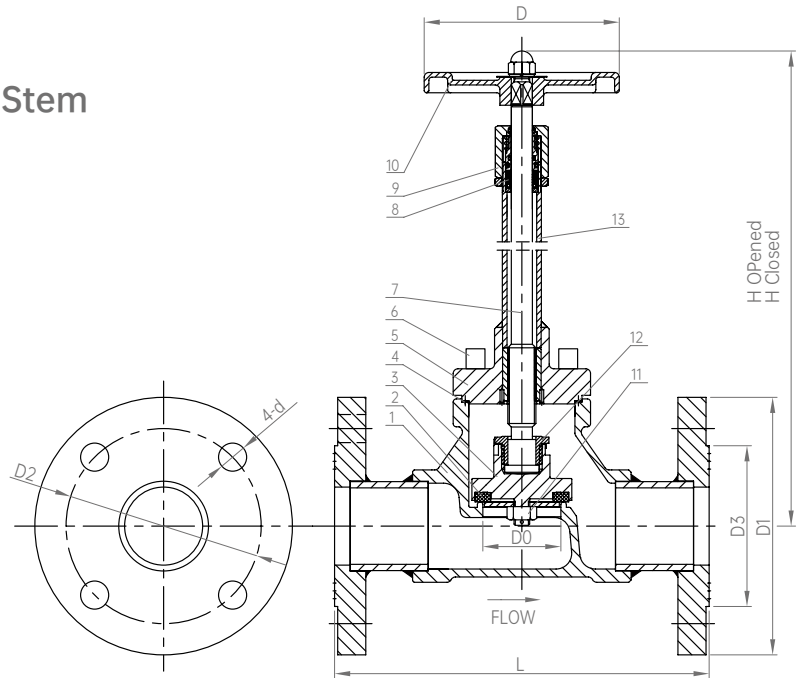
Parameters

PN: 4.0MPa
DN: Ø15~Ø50
Design Temp.: -196°C ~+80°C
Media: LNG, LO₂, LN₂, LAr, CO₂

Connection :
Flanged Connection
with PN 40 and Class 150



This kind of product has certified by CE, EAC, TS and CCS
Standards: GB/T 24925, EN1626:2008, TR CU 032/2013



Materials

1	Body	CF8	6	Hexagon Screw	S30408	10	Hand Wheel	Y102
2	Disc Sealing	PCTFE	7	Stem	S30408	11	Hexagon Nut	S30408
3	Disc	S30408	8	V ring	PTFE	12	Connecting Nut	S30408
4	Gasket	RPTFE	9	Gland Nut	S30408	13	Connecting Pipe	S30408
5	Bonnet	S30408						

Model No.	Specifications & Dimensions (mm)									Weight(kg)
	H Opened	H Closed	L	D	D0	D1	D2	D3	d	
DJ-15F	257	248	129	Ø80	Ø15	Ø95	Ø65	Ø45	Ø14	
DJ-20F	263	254	154	Ø80	Ø20	Ø105	Ø75	Ø58	Ø14	
DJ-25F	295	282	166	Ø100	Ø25	Ø115	Ø85	Ø68	Ø14	
DJ-32F	305.5	291	185	Ø100	Ø32	Ø140	Ø100	Ø78	Ø18	
DJ-40F	373.5	356	214	Ø125	Ø40	Ø150	Ø110	Ø88	Ø18	
DJ-50F	384.5	361.5	240	Ø140	Ø50	Ø165	Ø125	Ø102	Ø18	
DJ-15FY	257	248	129	Ø80	Ø15	Ø90	Ø60.3	Ø34.9	Ø16	
DJ-20FY	263	254	154	Ø80	Ø20	Ø100	Ø69.9	Ø42.9	Ø16	
DJ-25FY	295	282	166	Ø100	Ø25	Ø110	Ø79.4	Ø50.8	Ø16	
DJ-32FY	305.5	291	185	Ø100	Ø32	Ø115	Ø88.9	Ø63.5	Ø16	
DJ-40FY	373.5	356	214	Ø125	Ø40	Ø125	Ø98.4	Ø73	Ø16	
DJ-50FY	384.5	361.5	240	Ø140	Ø50	Ø150	Ø127.7	Ø92.1	Ø18	



DJ41F-40P

Cryogenic Globe Valve Long Stem

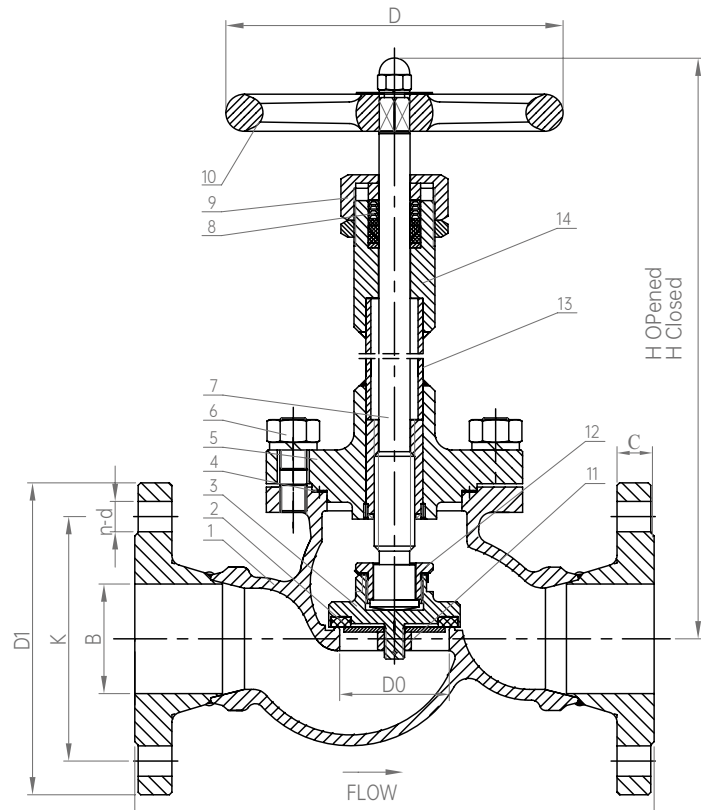
Parameters

PN: 4.0MPa
DN: Ø65~Ø100
Design Temp.: -196°C ~+80°C
Media: LNG, LO₂, LN₂, LAr, CO₂

Connection :
Flanged connection with PN 40



This kind of product has certified by CE, EAC, TS and CCS
Standards: GB/T 24925, EN1626:2008, TR CU 032/2013



Materials

1 Body	CF8	6 Nut	S30408	11 Hexagon Nut	S30408
2 Disc Sealing	PCTFE	7 Stem	S30408	12 Connecting Nut	S30408
3 Disc	S30408	8 V ring	PTFE	13 Connecting Pipe	S30408
4 Gasket	RPTFE	9 Gland Nut	S30408	14 Gland Packings	S30408
5 Bonnet	S30408	10 Hand Wheel	Y102		

Model No.	Specifications & Dimensions (mm)										Weight(kg)
	H Opened	H Closed	D0	L	D	K	D1	C	n-d	B	
DJ-65F	520	495	Ø65	308	Ø200	Ø145	Ø185	22	8-Ø18	65	
DJ-80F	549	522	Ø80	345	Ø250	Ø160	Ø200	24	8-Ø18	80	
DJ-100F	634	601	Ø100	410	Ø315	Ø190	Ø235	24	8-Ø22	100	

DJ61F-40P

Cryogenic Globe Valve

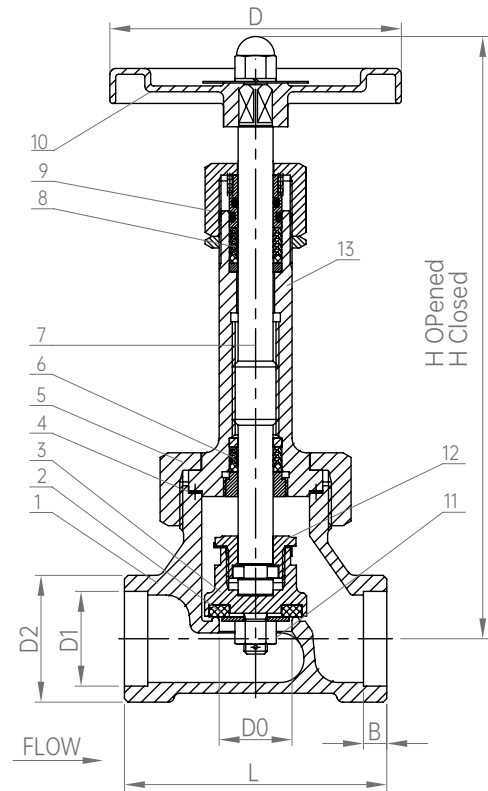
Parameters

PN: 4.0MPa
DN: Ø15~Ø25
Design Temp.: -196°C ~+80°C
Media: LNG. LO₂. LN₂. LAr. CO₂

Connection : Socket Weld



This kind of product has certified by CE ,EAC, TS and CCS
Standards: GB/T 24925, EN1626:2008, TR CU 032/2013



Materials

1	Body	CF8	6	Gasket	PTFE	10	Hand Wheel	Y102
2	Disc Sealing	PCTFE	7	Stem	S30408	11	Hexagon Nut	S30408
3	Disc	HPb59-1	8	V ring	PTFE	12	Connecting Nut	HPb59-1
4	Gasket	RPTFE	9	Gland Nut	HPb59-1	13	Connecting Pipe	HPb59-1
5	Bonnet	HPb59-1						

Model No.	Specifications & Dimensions (mm)								Weight(kg)
	H Opened	H Closed	L	D	D0	D1	D2	B	
DJ-15P1	181	172	65	Ø80	Ø15	Ø18.5	Ø29.5	6	1.0
DJ-20P1	189	178	80	Ø80	Ø20	Ø25.5	Ø36	8	1.6
DJ-25P1	217	204	90	Ø100	Ø25	Ø32.5	Ø43.5	8	1.9



DJ61F-40P

Cryogenic Globe Valve

Parameters

PN: 4.0MPa

DN: Ø15~Ø50

Design Temp.: -196°C ~+80°C

Media: LNG, LO₂, LN₂, LAr, CO₂

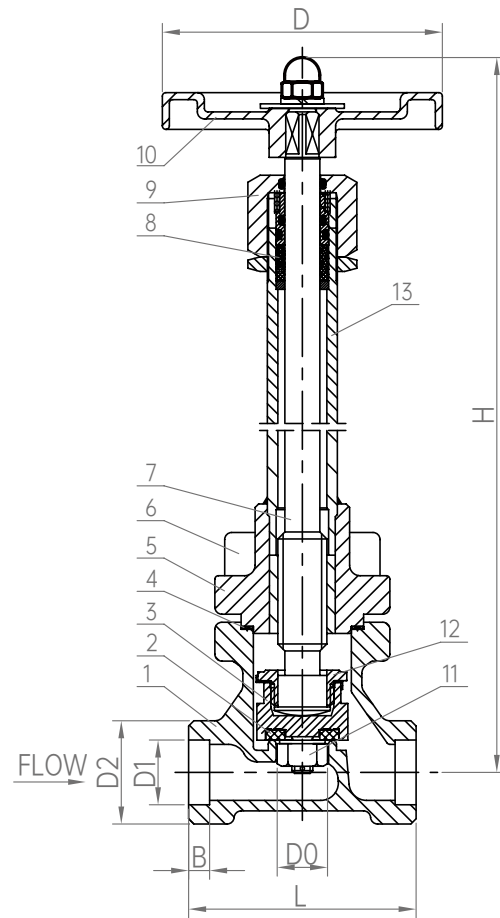
Connection : Socket Weld



This kind of product has certified by CE, EAC, TS and CCS

This valve is suitable for limited tank container.

Standards: GB/T 24925, EN1626:2008, TR CU 032/2013



Materials

1	Body	CF8	6	Hexagon Screw	S30408	10	Hand Wheel	Y102
2	Disc Sealing	PCTFE	7	Stem	S30408	11	Hexagon Nut	S30408
3	Disc	S30408	8	V ring	PTFE	12	Connecting Nut	S30408
4	Gasket	RPTFE	9	Gland Nut	S30408	13	Connecting Pipe	S30408
5	Bonnet	S30408						

Model No.	Specifications & Dimensions (mm)								Weight(kg)
	H Opened	H Closed	L	D	D0	D1	D2	B	
DJ-10D1	181	175	60	Ø65	Ø13	Ø14.5	Ø24	6	1.0
DJ-25P	243	230	90	Ø100	Ø25	Ø32.5	Ø43.5	8	1.8
DJ-40D1	284.5	267	120	Ø125	Ø40	Ø45.5	Ø62	8	3.9
DJ-50D1	295.5	282.5	140	Ø140	Ø50	Ø57.5	Ø72	10	5.4

DJ61F-40T

Cryogenic Globe Valve Long Stem

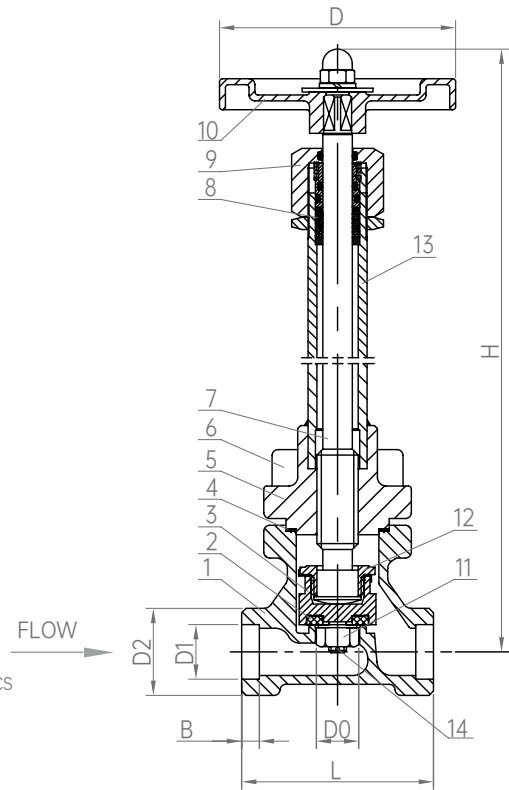
Parameters

PN: 4.0MPa
DN: Ø10~Ø50
Design Temp.: -196°C ~+85°C
Media: LNG, LO₂, LN₂, LAr, CO₂

Connection : Socket Weld



This kind of product has certified by CE, EAC, TS and CCS
Standards: GB/T 24925, EN1626:2008, TR CU 032/2013



Materials

1	Body	B62	6	Screw	S30408	11	Nut	C36000
2	Gasket	PCTFE	7	Stem	S30408	12	Connecting Nut	S30408
3	Disc	C36000	8	Ring	PTFE	13	Connecting Pipe	S30408
4	Ring	D#9000	9	Gland Nut	S30408	14	Split Pin	H62
5	Bonnet	C37700	10	Hand Wheel	Y102			

Remarks: **DJ-15.99.xxx**

001: Long Stem metric system Socket Weld. 003: Long Stem British system Socket Weld
Materials of Body and Bonnet: B62
DN

Model No.	Specifications & Dimensions (mm)										Weight(kg)
	H Opening	H Closing	L	D	D0	D1 metric system	D1 British system	D2	B	Cv	
DJ-10.99.xxx	221	215	60	65	13	14.5	17.8	24	6	2.1	
DJ-15.99.xxx	257	248	65	80	15	18.5	21.8	29.5	6	2.9	
DJ-20.99.xxx	263	254	80	80	20	25.5	27.4	36	8	6.1	
DJ-25.99.xxx	295	282	90	100	25	32.5	34.2	43.5	8	9.3	
DJ-32.99.xxx	305.5	291	105	100	32	38.5	42.9	53	8	16	
DJ-40.99.xxx	373.5	356	120	125	40	45.5	48.8	62	8	22	
DJ-50.99.xxx	384.5	361.5	140	140	50	57.5	60.8	72	10	38	



DJ61F-40T

Cryogenic Globe Valve Long Stem

Parameters

PN: 4.0MPa

DN: Ø10~Ø50

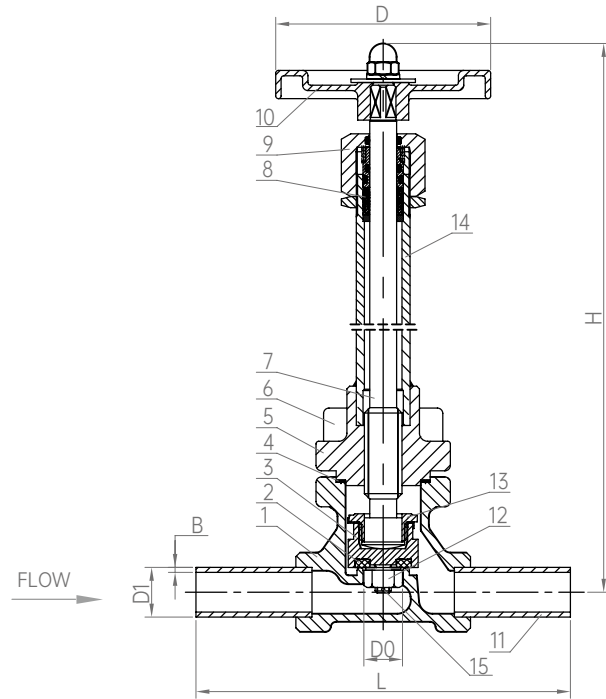
Design Temp.: -196°C ~+85°C

Media: LNG, LO₂, LN₂, LAr, CO₂



This kind of product has certified by CE, EAC, TS and CCS

Standards: GB/T 24925, EN1626:2008, TR CU 032/2013



Materials

1	Body	B62	6	Screw	S30408	11	Pipe	C12200
2	Gasket	PCTFE	7	Stem	S30408	12	Nut	C36000
3	Disc	C36000	8	Ring	PTFE	13	Connecting Nut	S30408
4	Ring	D#9000	9	Gland Nut	S30408	14	Connecting Pipe	S30408
5	Bonnet	C37700	10	Hand Wheel	Y102	15	Split Pin	H62

Remarks: DJ-15.99.xxx

- 005: Long Stem Brass Pipe(metric system). 007: Long Stem Brass Pipe(British system)
- Materials of Body and Bonnet: B62
- DN

Model No.	Specifications & Dimensions (mm)									Weight(kg)
	H Opening	H Closing	L	D	D0	D1 metric system	D1 British system	B	Cv	
DJ-10.99.xxx	221	215	360	65	13	14	17.2	1.0	2.1	
DJ-15.99.xxx	257	248	365	80	15	18	21.3	1.5	2.9	
DJ-20.99.xxx	263	254	380	80	20	25	26.9	1.5	6.1	
DJ-25.99.xxx	295	282	390	100	25	32	33.7	1.5	9.3	
DJ-32.99.xxx	305.5	291	405	100	32	38	42.4	1.5	16	
DJ-40.99.xxx	373.5	356	420	125	40	45	48.3	1.5	22	
DJ-50.99.xxx	384.5	361.5	440	140	50	57	60.3	2.0	38	

DJ61F-40T

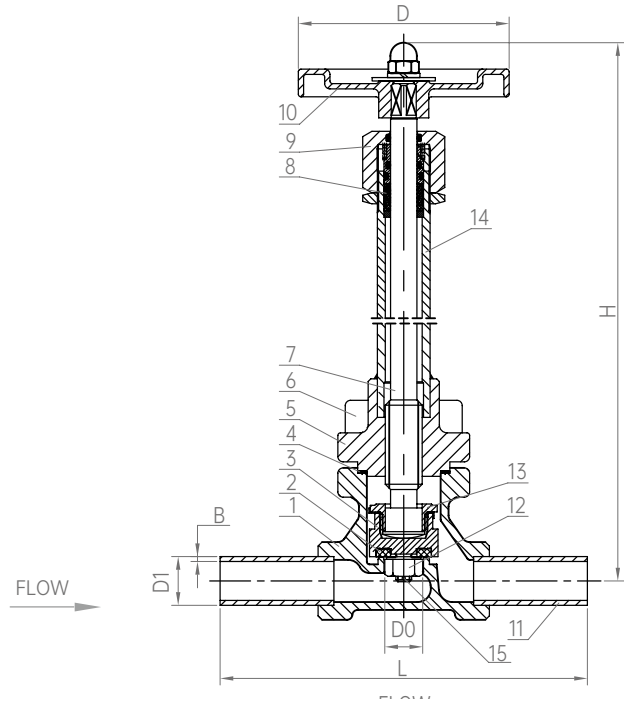
Cryogenic Globe Valve Long Stem

Parameters

PN: 4.0MPa
DN: Ø10~Ø50
Design Temp.: -196°C ~+85°C
Media: LNG. LO₂. LN₂. LAr. CO₂



This kind of product has certified by CE, EAC, TS and CCS
Standards: GB/T 24925, EN1626:2008, TR CU 032/2013



Materials

1	Body	B62	6	Screw	S30408	11	Pipe	S30408
2	Gasket	PCTFE	7	Stem	S30408	12	Nut	C36000
3	Disc	C36000	8	Ring	PTFE	13	Connecting Nut	S30408
4	Ring	D#9000	9	Gland Nut	S30408	14	Connecting Pipe	S30408
5	Bonnet	C37700	10	Hand Wheel	Y102	15	Split Pin	H62

Remarks: DJ-15.99.xxx

006: Long Stem SS Pipe (metric system). 008: Long Stem SS Pipe (British system)
Materials of Body and Bonnet: B62
DN

Model No.	Specifications & Dimensions (mm)										Weight(kg)
	H Opening	H Closing	L	D	D0	D1 metric system	D1 British system	B metric system	B British system	Cv	
DJ-10.99.xxx	221	215	210	65	13	14	17.2	/	/	2.1	
DJ-15.99.xxx	257	248	215	80	15	18	21.3	2.8	2.77	2.9	
DJ-20.99.xxx	263	254	230	80	20	25	26.9	3.0	2.87	6.1	
DJ-25.99.xxx	295	282	240	100	25	32	33.7	3.5	3.38	9.3	
DJ-32.99.xxx	305.5	291	255	100	32	38	42.4	3.6	3.56	16	
DJ-40.99.xxx	373.5	356	270	125	40	45	48.3	3.6	3.68	22	
DJ-50.99.xxx	384.5	361.5	290	140	50	57	60.3	4.0	3.91	38	



DJ11F-40T

Cryogenic Globe Valve Long Stem

Parameters

PN: 4.0MPa

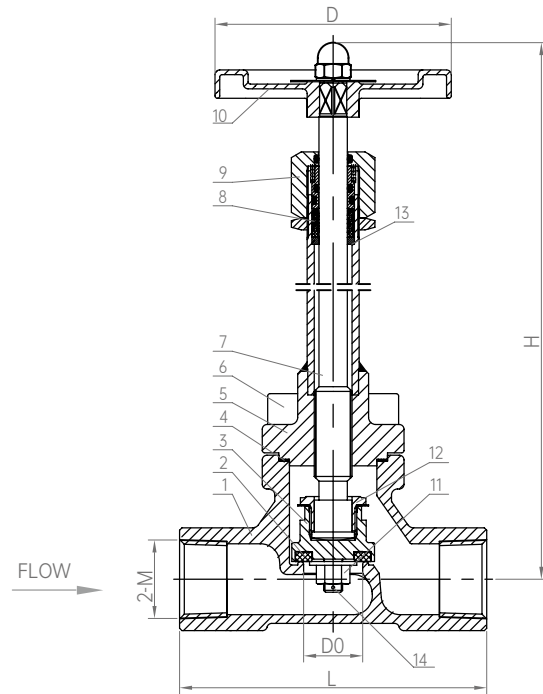
DN: Ø10~Ø50

Design Temp.: -196°C ~+85°C

Media: LNG. LO₂. LN₂. LAr. CO₂



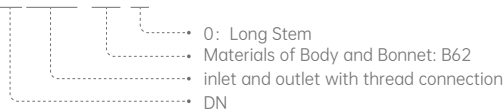
This kind of product has certified by CE, EAC, TS and CCS
Standards: GB/T 24925, EN1626:2008, TR CU 032/2013



Materials

1	Body	B62	6	Screw	S30408	11	Nut	C36000
2	Gasket	PCTFE	7	Stem	S30408	12	Connecting Nut	S30408
3	Disc	C36000	8	Ring	PTFE	13	Connecting Pipe	S30408
4	Ring	D#9000	9	Gland Nut	S30408	14	Split Pin	H62
5	Bonnet	C37700	10	Hand Wheel	Y102			

Remarks: DJ-15NPT.99.0



Model No.	Specifications & Dimensions (mm)							Weight(kg)
	H Opening	H Closing	L	D	D0	M	Cv	
DJ-10NPT.99.0	221	215	60	65	13	NPT 3/8	2.1	
DJ-15NPT.99.0	257	248	65	80	15	NPT 1/2	2.9	
DJ-20NPT.99.0	263	254	112	80	20	NPT 3/4	6.1	
DJ-25NPT.99.0	295	282	130	90	25	NPT 1	9.3	

DJ61F-40T

Cryogenic Globe Valve Short Stem

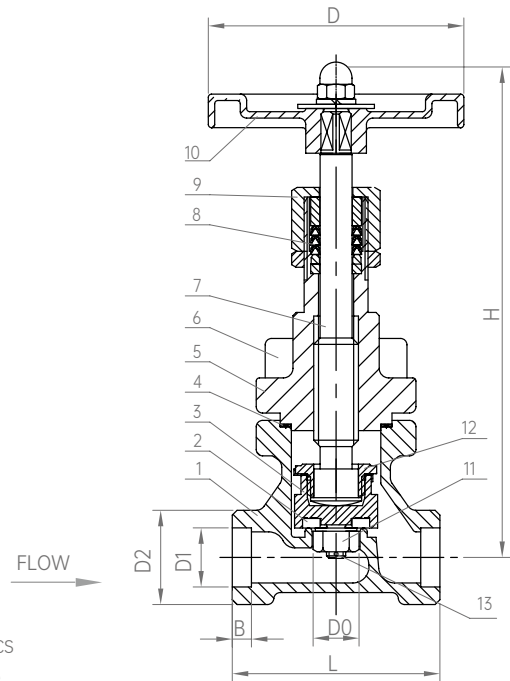
Parameters

PN: 4.0MPa
DN: Ø10~Ø50
Design Temp.: -40°C ~+80°C
Media: NG, O₂, N₂, Ar, CO₂

Connection : Socket Weld



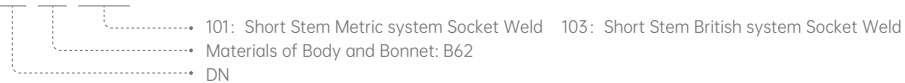
This kind of product has certified by CE, EAC, TS and CCS
Standards: GB/T 24925, EN1626:2008, TR CU 032/2013



Materials

1	Body	B62	6	Screw	S30408	11	Nut	C36000
2	Gasket	PCTFE	7	Stem	S30408	12	Connecting Nut	S30408
3	Disc	C36000	8	Ring	PTFE	13	Split Pin	H62
4	Ring	D#9000	9	Gland Nut	S30408			
5	Bonnet	C37700	10	Hand Wheel	Y102			

Remarks: **DJ-15.99.xxx**



Model No.	Specifications & Dimensions (mm)										Weight(kg)
	H Opening	H Closing	L	D	D0	D1 metric system	D1 British system	D2	B	Cv	
DJ-10.99.xxx	131	125	60	65	13	14.5	17.8	24	6	2.1	
DJ-15.99.xxx	150	141	65	80	15	18.5	21.8	29.5	6	2.9	
DJ-20.99.xxx	158	147	80	80	20	25.5	27.4	36	8	6.1	
DJ-25.99.xxx	180	167	90	100	25	32.5	34.2	43.5	8	9.3	
DJ-32.99.xxx	190	176	105	100	32	38.5	42.9	53	8	16	
DJ-40.99.xxx	230.5	213	120	125	40	45.5	48.8	62	8	22	
DJ-50.99.xxx	241.5	218.5	140	140	50	57.5	60.8	72	10	38	



DJ61F-40T

Cryogenic Globe Valve Short Stem

Parameters

PN: 4.0MPa

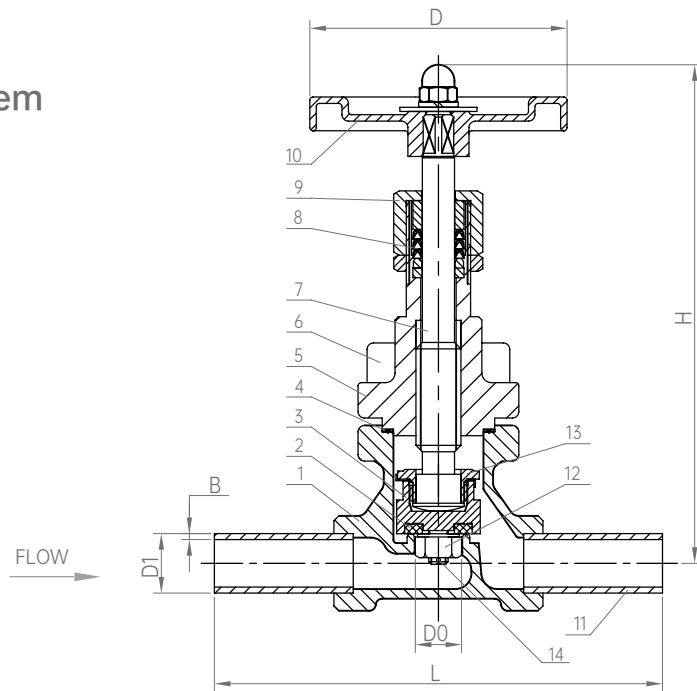
DN: Ø10~Ø50

Design Temp.: -40°C ~+80°C

Media: NG. O₂. N₂. Ar. CO₂



This kind of product has certified by CE, EAC, TS and CCS
Standards: GB/T 24925, EN1626:2008, TR CU 032/2013



Materials

1	Body	B62	6	Screw	S30408	11	Pipe	C12200
2	Gasket	PCTFE	7	Stem	S30408	12	Nut	C36000
3	Disc	C36000	8	Ring	PTFE	13	Connecting Nut	S30408
4	Ring	D#9000	9	Gland Nut	S30408	14	Split Pin	H62
5	Bonnet	C37700	10	Hand Wheel	Y102			

Remarks: DJ-15.99.xxx

- 105: Short Stem Brass Pipe(metric system) 107: Short Stem Brass Pipe(British system)
- Materials of Body and Bonnet: B62
- DN

Model No.	Specifications & Dimensions (mm)									Weight(kg)
	H Opening	H Closing	L	D	D0	D1 metric system	D1 British system	B	Cv	
DJ-10.99.xxx	131	125	360	65	13	14	17.2	1.0	2.1	
DJ-15.99.xxx	150	141	365	80	15	18	21.3	1.5	2.9	
DJ-20.99.xxx	158	147	380	80	20	25	26.9	1.5	6.1	
DJ-25.99.xxx	180	167	390	100	25	32	33.7	1.5	9.3	
DJ-32.99.xxx	190	176	405	100	32	38	42.4	1.5	16	
DJ-40.99.xxx	230.5	213	420	125	40	45	48.3	1.5	22	
DJ-50.99.xxx	241.5	218.5	440	140	50	57	60.3	2.0	38	

DJ61F-40T

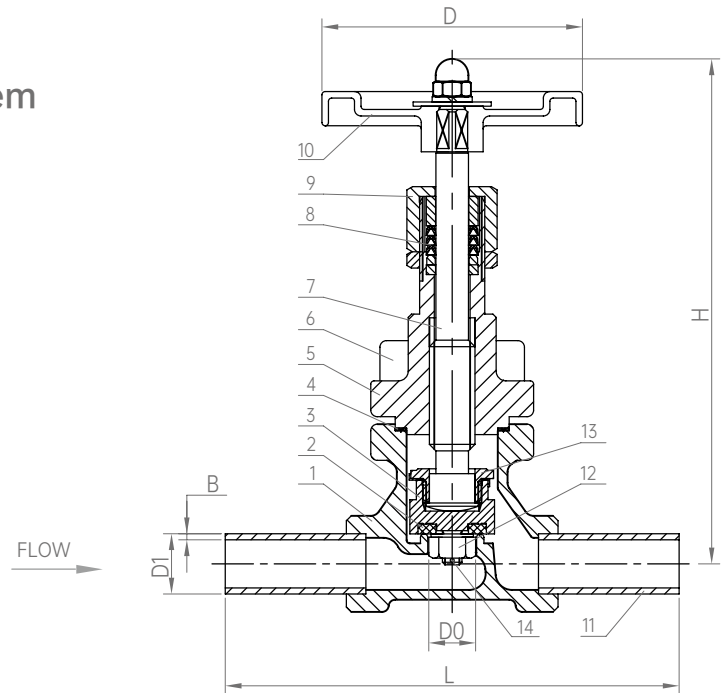
Cryogenic Globe Valve Short Stem

Parameters

PN: 4.0MPa
DN: Ø10~Ø50
Design Temp.: -40°C ~+80°C
Media: NG, O₂, N₂, Ar, CO₂



This kind of product has certified by CE, EAC, TS and CCS
Standards: GB/T 24925, EN1626:2008, TR CU 032/2013



Materials

1	Body	B62	6	Screw	S30408	11	Pipe	S30408
2	Gasket	PCTFE	7	Stem	S30408	12	Nut	C36000
3	Disc	C36000	8	Ring	PTFE	13	Connecting Nut	S30408
4	Ring	D#9000	9	Gland Nut	S30408	14	Split Pin	H62
5	Bonnet	C37700	10	Hand Wheel	Y102			

Remarks: **DJ-15.99.xxx**

106: Short Stem SS Pipe (metric system) 108: Short Stem SS Pipe (British system)
Materials of Body and Bonnet: B62
DN

Model No.	Specifications & Dimensions (mm)										Weight(kg)
	H Opening	H Closing	L	D	D0	D1 metric system	D1 British system	B metric system	B British system	Cv	
DJ-10.99.xxx	131	125	210	65	13	14	17.2	2.5	2.31	2.1	
DJ-15.99.xxx	150	141	215	80	15	18	21.3	2.8	2.77	2.9	
DJ-20.99.xxx	158	147	230	80	20	25	26.9	3.0	2.87	6.1	
DJ-25.99.xxx	180	167	240	100	25	32	33.7	3.5	3.38	9.3	
DJ-32.99.xxx	190	176	255	100	32	38	42.4	3.6	3.56	16	
DJ-40.99.xxx	230.5	213	270	125	40	45	48.3	3.6	3.68	22	
DJ-50.99.xxx	241.5	218.5	290	140	50	57	60.3	4.0	3.91	38	



DJ11F-40T

Cryogenic Globe Valve Short Stem

Parameters

PN: 4.0MPa

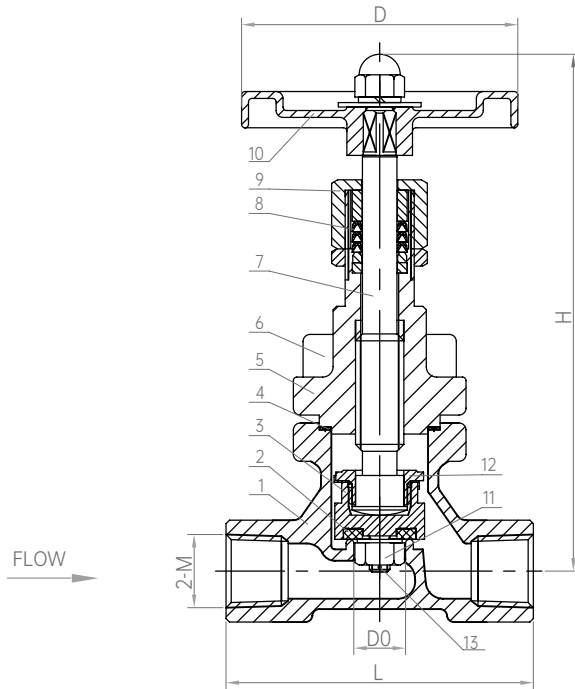
DN: Ø10~Ø50

Design Temp.: -40°C ~+80°C

Media: NG. O₂. N₂. Ar. CO₂



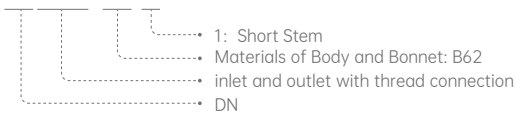
This kind of product has certified by CE, EAC, TS and CCS
Standards: GB/T 24925, EN1626:2008, TR CU 032/2013



Materials

1	Body	B62	6	Screw	S30408	11	Nut	C36000
2	Gasket	PCTFE	7	Stem	S30408	12	Connecting Nut	S30408
3	Disc	C36000	8	Ring	PTFE	13	Split Pin	H62
4	Ring	D#9000	9	Gland Nut	S30408			
5	Bonnet	C37700	10	Hand Wheel	Y102			

Remarks: DJ-15NPT.99.1



Model No.	Specifications & Dimensions (mm)							Weight(kg)
	H Opening	H Closing	L	D	D0	M	Cv	
DJ-10NPT.99.1	131	125	60	65	13	NPT 3/8	2.1	
DJ-15NPT.99.1	150	141	65	80	15	NPT 1/2	2.9	
DJ-20NPT.99.1	158	147	112	80	20	NPT 3/4	6.3	
DJ-25NPT.99.1	180	167	130	90	25	NPT 1	9.3	

DJ61F-40T

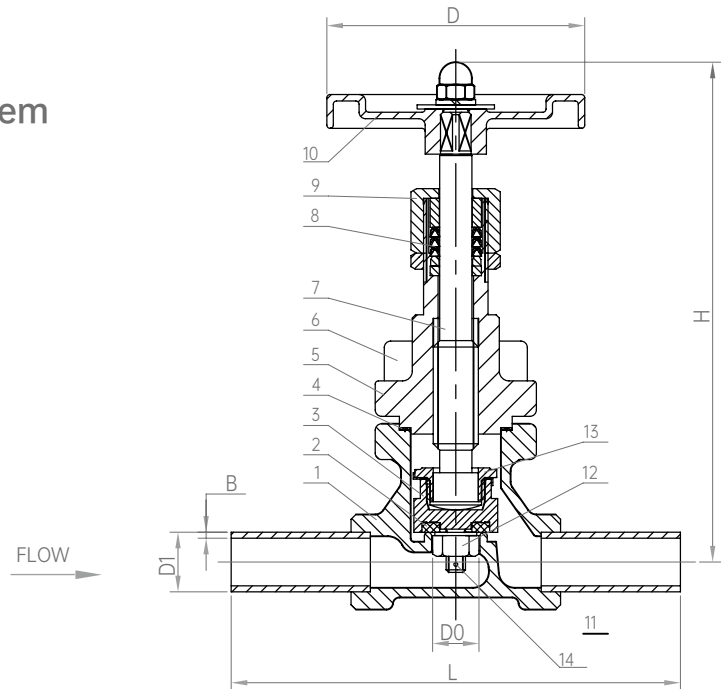
Cryogenic Globe Valve Short Stem

Parameters

PN: 4.0MPa
DN: Ø25
Design Temp.: -40°C ~+80°C
Media: NG, O₂, N₂, Ar, CO₂



This kind of product has certified by CE, EAC, TS and CCS
Standards: GB/T 24925, EN1626:2008, TR CU 032/2013



Materials

1	Body	B62	6	Screw	S30408	11	Pipe	S30408
2	Gasket	PCTFE	7	Stem	S30408	12	Nut	C36000
3	Disc	C36000	8	Ring	PTFE	13	Connecting Nut	S30408
4	Ring	D#9000	9	Gland Nut	S30408	14	Split Pin	H62
5	Bonnet	C37700	10	Hand Wheel	Y102			

Model No.	Specifications & Dimensions (mm)								Weight(kg)
	H Opening	H Closing	L	D	D0	D1	B	Cv	
DJ-25.99.118	180	167	240	100	25	33.7	4.55	9.3	



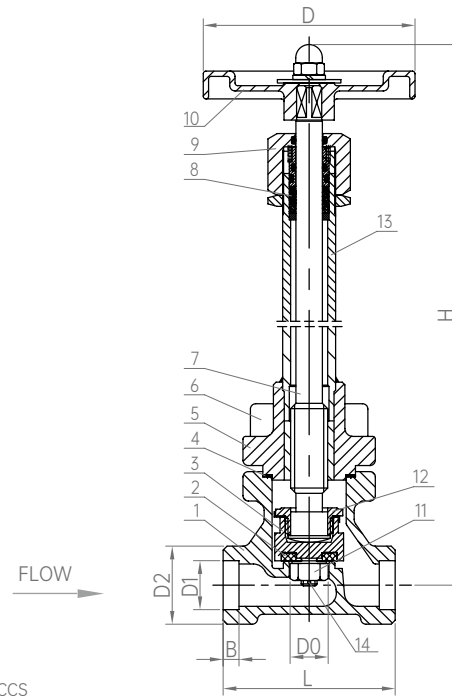
DJ61F-40P

Cryogenic Globe Valve Long Stem

Parameters

PN: 4.0MPa
DN: Ø10~Ø50
Design Temp.: -196°C ~+80°C
Media: LNG. LO₂. LN₂. LAr. CO₂

Connection : Socket Weld



This kind of product has certified by CE, EAC, TS and CCS
Standards: GB/T 24925, EN1626:2008, TR CU 032/2013

Materials

1	Body	CF8	6	Screw	S30408	11	Nut	C36000
2	Gasket	PCTFE	7	Stem	S30408	12	Connecting Nut	S30408
3	Disc	C36000	8	Ring	PTFE	13	Split Pin	S30408
4	Ring	D#9000	9	Gland Nut	S30408			
5	Bonnet	CF8	10	Hand Wheel	Y102			

Remarks: **DJ-15.98.xxx**

001: Long Stem Socket Weld metric system 003: Long Stem Socket Weld British system
Materials of Body : CF8
DN

Model No.	Specifications & Dimensions (mm)										Weight(kg)
	H Opening	H Closing	L	D	D0	D1 metric system	D1 British system	D2	B	Cv	
DJ-10.98.xxx	221	215	60	65	13	14.5	17.8	24	6	2.1	
DJ-15.98.xxx	257	248	65	80	15	18.5	21.8	29.5	6	2.9	
DJ-20.98.xxx	263	254	80	80	20	25.5	27.4	36	8	6.1	
DJ-25.98.xxx	295	282	90	100	25	32.5	34.2	43.5	8	9.3	
DJ-32.98.xxx	305.5	291	105	100	32	38.5	42.9	53	8	16	
DJ-40.98.xxx	373.5	356	120	125	40	45.5	48.8	62	8	22	
DJ-50.98.xxx	384.5	361.5	140	140	50	57.5	60.8	72	10	38	

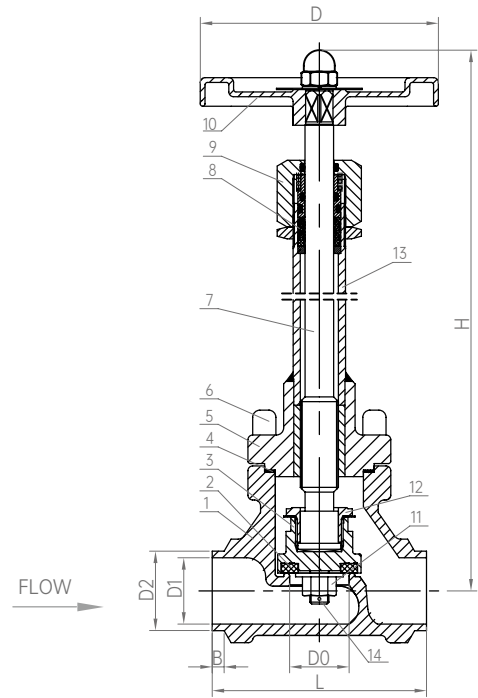
DJ61F-40P

Cryogenic Globe Valve Long Stem

Parameters

PN: 4.0MPa
DN: Ø10~Ø50
Design Temp.: -196°C ~+80°C
Media: LNG, LO₂, LN₂, LAr, CO₂

Connection : Butt Weld



This kind of product has certified by CE, EAC, TS and CCS
Standards: GB/T 24925, EN1626:2008, TR CU 032/2013

Materials

1	Body	CF8	6	Screw	S30408	11	Nut	C36000
2	Gasket	PCTFE	7	Stem	S30408	12	Connecting Nut	S30408
3	Disc	C36000	8	Ring	PTFE	13	Connecting Pipe	S30408
4	Ring	D#9000	9	Gland Nut	S30408	14	Split Pin	S30408
5	Bonnet	CF8	10	Hand Wheel	Y102			

Remarks: **DJ-15.98.xxx**

002: Long Stem Butt Weld(metric system) 004: Long Stem Butt Weld(British system)
Materials of Body : CF8
DN

Model No.	Specifications & Dimensions (mm)										
	H Opening	H Closing	L	D	D0	D1 metric system	D2 metric system	D1 British system	D2 British system	B	Cv
DJ-10.98.xxx	221	215	60	65	13	/	/	12.58	17.2	4	2.1
DJ-15.98.xxx	257	248	65	80	15	12.4	18	15.76	21.3	5	2.9
DJ-20.98.xxx	263	254	80	80	20	19	25	21.16	26.9	5	6.1
DJ-25.98.xxx	295	282	90	100	25	25	32	26.94	33.7	5	9.3
DJ-32.98.xxx	305.5	291	105	100	32	30.8	38	35.28	42.4	5	16
DJ-40.98.xxx	373.5	356	120	125	40	37.8	45	40.94	48.3	5	22
DJ-50.98.xxx	384.5	361.5	140	140	50	49	57	52.48	60.3	5	38



DJ11F-40P

Cryogenic Globe Valve Long Stem

Parameters

PN: 4.0MPa

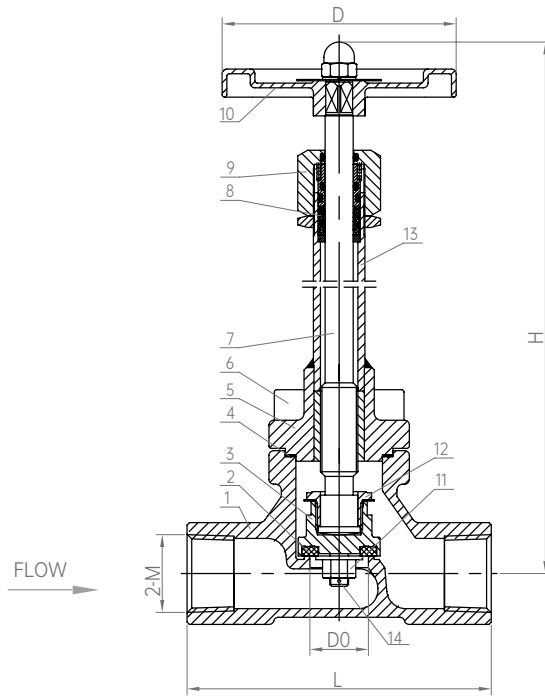
DN: Ø10~Ø25

Design Temp.: -196°C ~+80°C

Media: LNG. LO₂. LN₂. LAr. CO₂



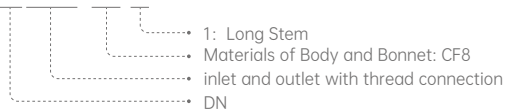
This kind of product has certified by CE, EAC, TS and CCS
Standards: GB/T 24925, EN1626:2008, TR CU 032/2013



Materials

1	Body	CF8	6	Screw	S30408	11	Nut	C36000
2	Gasket	PCTFE	7	Stem	S30408	12	Connecting Nut	S30408
3	Disc	C36000	8	Ring	PTFE	13	Connecting Pipe	S30408
4	Ring	D#9000	9	Gland Nut	S30408	14	Split Pin	S30408
5	Bonnet	CF8	10	Hand Wheel	Y102			

Remarks: DJ-15NPT.98.0



Model No.	Specifications & Dimensions (mm)							Weight(kg)
	H Opening	H Closing	L	D	D0	M	Cv	
DJ-10NPT.98.0	221	215	60	65	10	NPT 3/8	2.1	
DJ-15NPT.98.0	257	248	65	80	15	NPT 1/2	2.9	
DJ-20NPT.98.0	263	254	112	80	20	NPT 3/4	6.1	
DJ-25NPT.98.0	295	282	130	90	25	NPT 1	9.3	

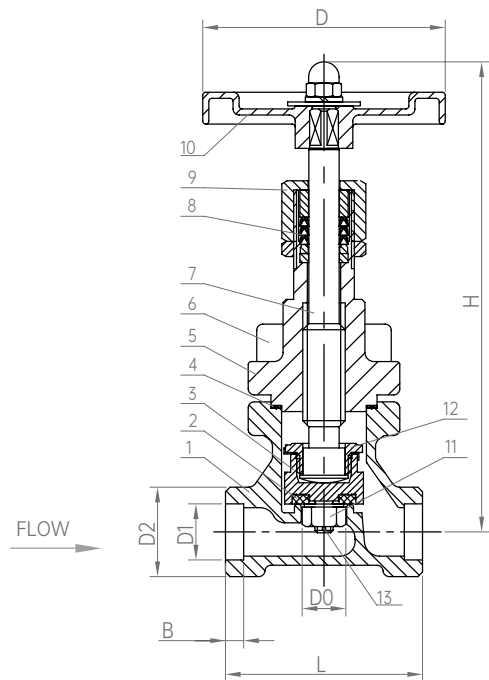
DJ61F-40P

Cryogenic Globe Valve Short Stem

Parameters

PN: 4.0MPa
DN: Ø10~Ø50
Design Temp.: -40°C ~+80°C
Media: NG, O₂, N₂, Ar, CO₂

Connection : Socket Weld



This kind of product has certified by CE, EAC, TS and CCS
Standards: GB/T 24925, EN1626:2008, TR CU 032/2013

Materials

1	Body	CF8	6	Screw	S30408	11	Nut	C36000
2	Gasket	PCTFE	7	Stem	S30408	12	Connecting Nut	S30408
3	Disc	C36000	8	Ring	PTFE	13	Split Pin	S30408
4	Ring	D#9000	9	Gland Nut	S30408			
5	Bonnet	CF8	10	Hand Wheel	Y102			

Remarks: **DJ-15.98.xxx**



Model No.	Specifications & Dimensions (mm)										Weight(kg)
	H Opening	H Closing	L	D	D0	D1 metric system	D1 British system	D2	B	Cv	
DJ-10.98.xxx	131	125	60	65	13	14.5	17.8	24	6	2.1	
DJ-15.98.xxx	150	141	65	80	15	18.5	21.8	29.5	6	2.9	
DJ-20.98.xxx	158	147	80	80	20	25.5	27.4	36	8	6.1	
DJ-25.98.xxx	180	167	90	100	25	32.5	34.2	43.5	8	9.3	
DJ-32.98.xxx	190	176	105	100	32	38.5	42.9	53	8	16	
DJ-40.98.xxx	230.5	213	120	125	40	45.5	48.8	62	8	22	
DJ-50.98.xxx	241.5	218.5	140	140	50	57.5	60.8	72	10	38	



DJ61F-40P

Cryogenic Globe Valve Short Stem

Parameters

PN: 4.0MPa

DN: Ø10~Ø50

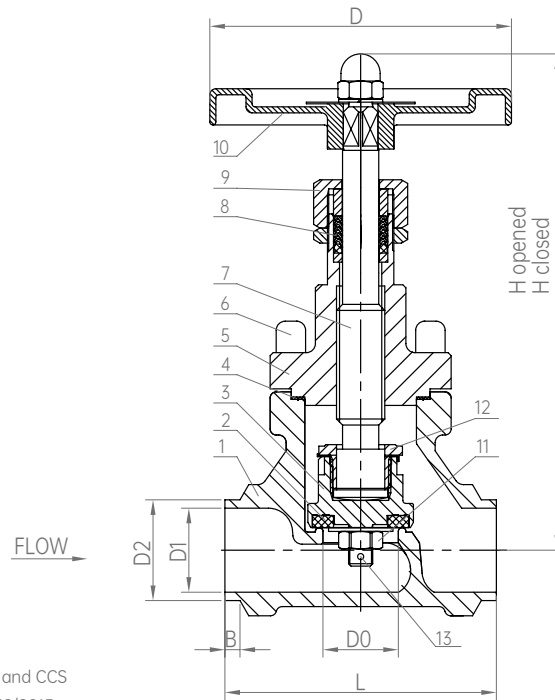
Design Temp.: -40°C ~+80°C

Media: NG. O₂. N₂. Ar. CO₂

Connection : Butt Weld



This kind of product has certified by CE, EAC, TS and CCS
Standards: GB/T 24925, EN1626:2008, TR CU 032/2013



Materials

1	Body	CF8	6	Screw	S30408	11	Nut	C36000
2	Gasket	PCTFE	7	Stem	S30408	12	Connecting Nut	S30408
3	Disc	C36000	8	Ring	PTFE	13	Split Pin	S30408
4	Ring	D#9000	9	Gland Nut	S30408			
5	Bonnet	CF8	10	Hand Wheel	Y102			

Remarks: **DJ-15.98.xxx**

- 102: Short Stem Butt Weld(metric system) 104: Short Stem Butt Weld(British system)
- Materials of Body : CF8
- DN

Model No.	Specifications & Dimensions (mm)										
	H Opening	H Closing	L	D	D0	D1 metric system	D2 metric system	D1 British system	D2 British system	B	Cv
DJ-10.98.xxx	131	125	60	65	13	/	/	12.58	17.2	4	2.1
DJ-15.98.xxx	150	141	65	80	15	12.4	18	15.76	21.3	5	2.9
DJ-20.98.xxx	158	147	80	80	20	19	25	21.16	26.9	5	6.1
DJ-25.98.xxx	180	167	90	100	25	25	32	26.94	33.7	5	9.3
DJ-32.98.xxx	190	176	105	100	32	30.8	38	35.28	42.4	5	16
DJ-40.98.xxx	230.5	213	120	125	40	37.8	45	40.94	48.3	5	22
DJ-50.98.xxx	241.5	218.5	140	140	50	49	57	52.48	60.3	5	38

DJ11F-40P

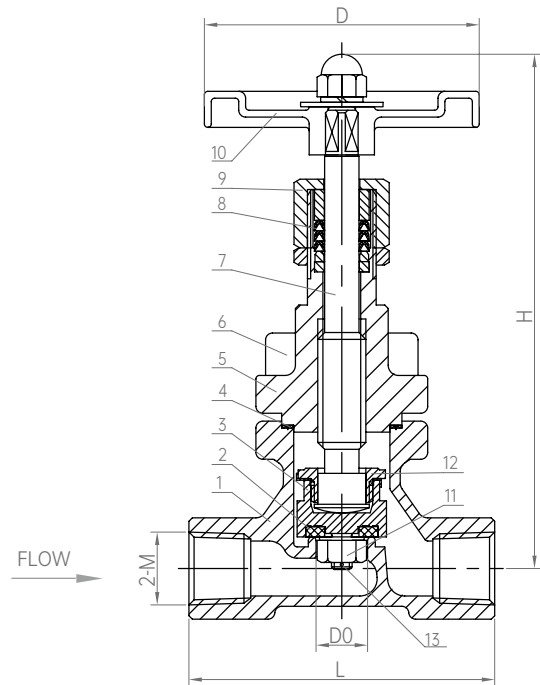
Cryogenic Globe Valve Short Stem

Parameters

PN: 4.0MPa
 DN: Ø10~Ø50
 Design Temp.: -40°C ~+80°C
 Media: NG, O₂, N₂, Ar, CO₂



This kind of product has certified by CE, EAC, TS and CCS
 Standards: GB/T 24925, EN1626:2008, TR CU 032/2013



Materials

1	Body	CF8	6	Screw	S30408	11	Nut	C36000
2	Gasket	PCTFE	7	Stem	S30408	12	Connecting Nut	S30408
3	Disc	C36000	8	Ring	PTFE	13	Split Pin	S30408
4	Ring	D#9000	9	Gland Nut	S30408			
5	Bonnet	CF8	10	Hand Wheel	Y102			

Remarks: DJ-15NPT.98.1

- 1: Short Stem
- Materials of Body and Bonnet: CF8
- inlet and outlet with thread connection
- DN

Model No.	Specifications & Dimensions (mm)							Weight(kg)
	H Opening	H Closing	L	D	D0	M	Cv	
DJ-10NPT.98.1	131	125	60	65	10	NPT 3/8	2.1	
DJ-15NPT.98.1	150	141	65	80	15	NPT 1/2	2.9	
DJ-20NPT.98.1	158	147	112	80	20	NPT 3/4	6.3	
DJ-25NPT.98.1	180	167	130	90	25	NPT 1	9.3	



DJ61F-40P

Cryogenic Globe Valve Long Stem

Parameters

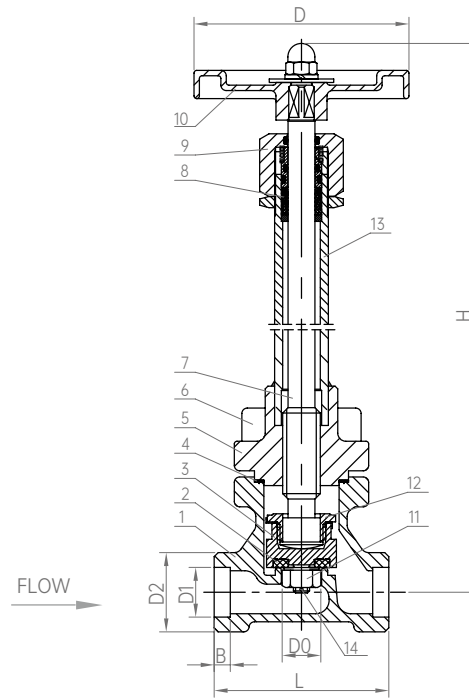
PN: 4.0MPa

DN: Ø10~Ø50

Design Temp.: -196°C ~+80°C

Media: LNG, LO₂, LN₂, LAr, CO₂

Connection : Socket Weld



This kind of product has certified by CE, EAC, TS and CCS
Standards: GB/T 24925, EN1626:2008, TR CU 032/2013

Materials

1	Body	CF8	6	Screw	S30408	11	Nut	C36000
2	Gasket	PCTFE	7	Stem	S30408	12	Connecting Nut	S30408
3	Disc	C36000	8	Ring	PTFE	13	Connecting Pipe	S30408
4	Ring	D#9000	9	Gland Nut	S30408	14	Split Pin	S30408
5	Bonnet	C37700	10	Hand Wheel	Y102			

Remarks: **DJ-15.97.xxx**

001: Long Stem Socket Weld metric system 003: Long Stem Socket Weld British system
Materials of Body : CF8
DN

Model No.	Specifications & Dimensions (mm)										Weight(kg)
	H Opening	H Closing	L	D	D0	D1 metric system	D1 British system	D2	B	Cv	
DJ-10.97.xxx	221	215	60	65	13	14.5	17.8	24	6	2.1	
DJ-15.97.xxx	257	248	65	80	15	18.5	21.8	29.5	6	2.9	
DJ-20.97.xxx	263	254	80	80	20	25.5	27.4	36	8	6.1	
DJ-25.97.xxx	295	282	90	100	25	32.5	34.2	43.5	8	9.3	
DJ-32.97.xxx	305.5	291	105	100	32	38.5	42.9	53	8	16	
DJ-40.97.xxx	373.5	356	120	125	40	45.5	48.8	62	8	22	
DJ-50.97.xxx	384.5	361.5	140	140	50	57.5	60.8	72	10	38	

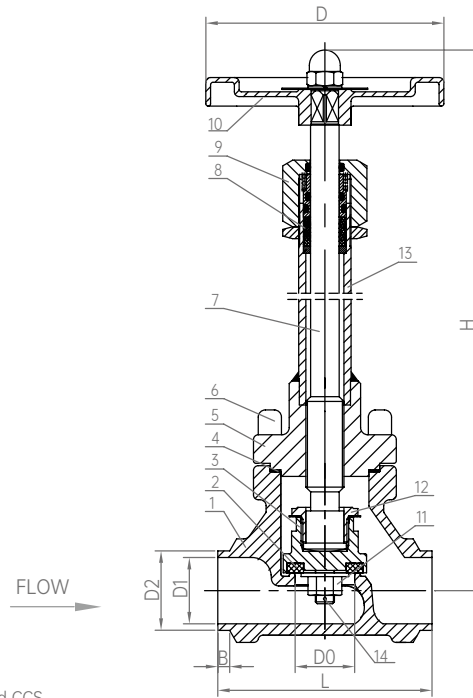
DJ61F-40P

Cryogenic Globe Valve Long Stem

Parameters

PN: 4.0MPa
DN: Ø10~Ø50
Design Temp.: -196°C ~+80°C
Media: LNG. LO₂. LN₂. LAr. CO₂

Connection : Butt Weld

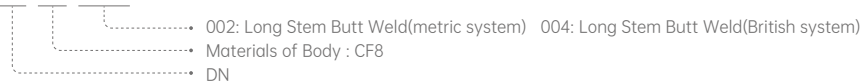


This kind of product has certified by CE, EAC, TS and CCS
Standards: GB/T 24925, EN1626:2008, TR CU 032/2013

Materials

1	Body	CF8	6	Screw	S30408	11	Nut	C36000
2	Gasket	PCTFE	7	Stem	S30408	12	Connecting Nut	S30408
3	Disc	C36000	8	Ring	PTFE	13	Connecting Pipe	S30408
4	Ring	D#9000	9	Gland Nut	S30408	14	Split Pin	S30408
5	Bonnet	C37700	10	Hand Wheel	Y102			

Remarks: **DJ-15.97.xxx**



Model No.	Specifications & Dimensions (mm)										Weight(kg)
	H Opening	H Closing	L	D	D0	D1 metric system	D2 metric system	D1 British system	D2 British system	B	
DJ-10.97.xxx	221	215	60	65	13	/	/	12.58	17.2	4	2.1
DJ-15.97.xxx	257	248	65	80	15	12.4	18	15.76	21.3	5	2.9
DJ-20.97.xxx	263	254	80	80	20	19	25	21.16	26.9	5	6.1
DJ-25.97.xxx	295	282	90	100	25	25	32	26.94	33.7	5	9.3
DJ-32.97.xxx	305.5	291	105	100	32	30.8	38	35.28	42.4	5	16
DJ-40.97.xxx	373.5	356	120	125	40	37.8	45	40.94	48.3	5	22
DJ-50.97.xxx	384.5	361.5	140	140	50	49	57	52.48	60.3	5	38



DJ11F-40P

Cryogenic Globe Valve Long Stem

Parameters

PN: 4.0MPa

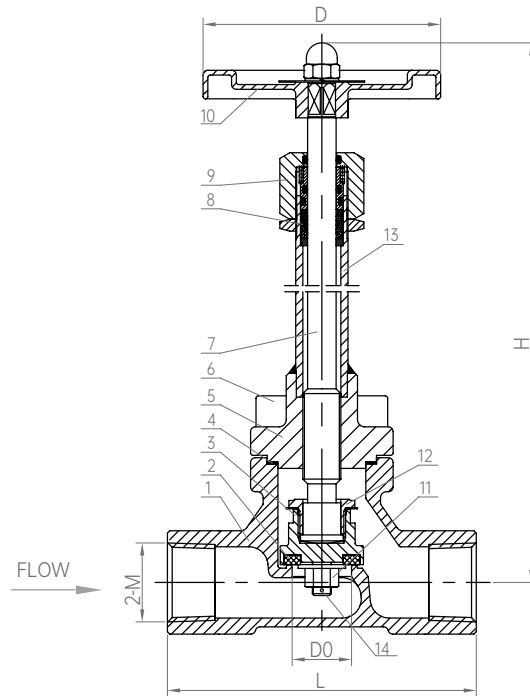
DN: Ø10~Ø25

Design Temp.: -196°C ~+80°C

Media: LNG, LO₂, LN₂, LAr, CO₂



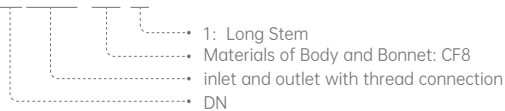
This kind of product has certified by CE, EAC, TS and CCS
Standards: GB/T 24925, EN1626:2008, TR CU 032/2013



Materials

1	Body	CF8	6	Screw	S30408	11	Nut	C36000
2	Gasket	PCTFE	7	Stem	S30408	12	Connecting Nut	S30408
3	Disc	C36000	8	Ring	PTFE	13	Connecting Pipe	S30408
4	Ring	D#9000	9	Gland Nut	S30408	14	Split Pin	S30408
5	Bonnet	C37700	10	Hand Wheel	Y102			

Remarks: DJ-15NPT.97.0



Model No.	Specifications & Dimensions (mm)							Weight(kg)
	H Opening	H Closing	L	D	D0	M	Cv	
DJ-10NPT.97.0	221	215	60	65	10	NPT 3/8	2.1	
DJ-15NPT.97.0	257	248	65	80	15	NPT 1/2	2.9	
DJ-20NPT.97.0	263	254	112	80	20	NPT 3/4	6.1	
DJ-25NPT.97.0	295	282	130	90	25	NPT 1	9.3	

DJ61F-40P

Cryogenic Globe Valve

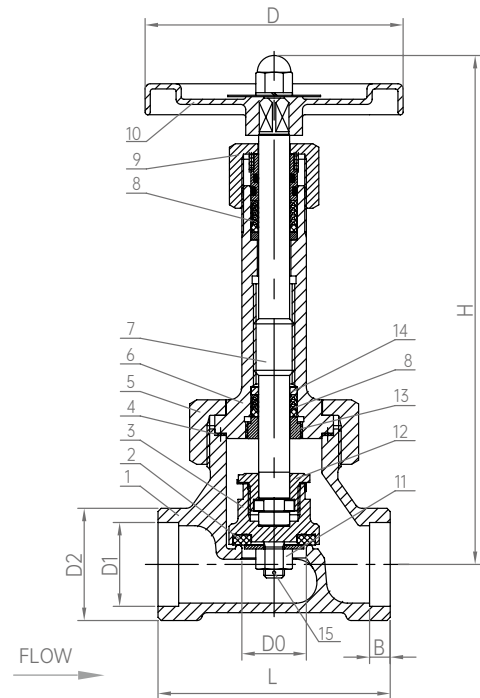
Parameters

PN: 4.0MPa
DN: Ø15~Ø25
Design Temp.: -196°C ~+80°C
Media: LNG. LO₂. LN₂. LAr. CO₂

Connection : Socket Weld



This kind of product has certified by CE, EAC, TS and CCS
Standards: GB/T 24925, EN1626:2008, TR CU 032/2013



Materials

1	Body	CF8	6	Bonnet	C37700	11	Nut	S30408
2	Gasket	PCTFE	7	Stem	S30408	12	Connecting Nut	S30408
3	Disc	C30408	8	Ring	PTFE	13	Nut	C36000
4	Ring	D#9000	9	Gland Nut	S30408	14	Washer	C36000
5	Big nut	C37700	10	Hand Wheel	Y102	15	Split Pin	S30408

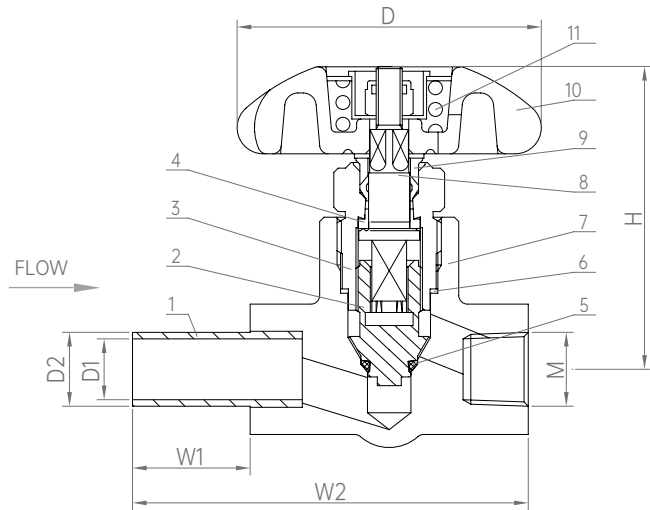
Model No.	Specifications & Dimensions (mm)									Weight(kg)
	H Opening	H Closing	L	D	D0	D1	D2	B	Cv	
DJ-15P1.97	181	172	65	80	15	18.5	29.5	6	2.9	
DJ-20P1.97	189	178	80	80	20	25.5	36	8	6.1	
DJ-25P1.97	217	204	90	100	25	32.5	43.5	8	9.3	



Cryogenic Globe Valve

Parameters

PN: 4.0MPa
DN: Ø10
Design Temp.: -196°C ~+85°C
Media: LNG, LO₂, LN₂, LAr, CO₂

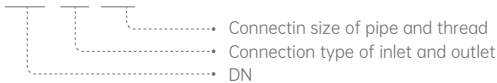


This kind of product has certified by CE, EAC, TS and CCS
Standards: GB/T 24925, EN1626:2008, TR CU 032/2013

Materials

1 Pipe	S30408	5 Gasket	PCTFE	9 Gland	C36000
2 Gate	C36000	6 Washer	T2	10 Hand Wheel	ZL102
3 Gland Nut	C36000	7 Body	C37700	11 Spring	S30210
4 Washer	PTFE	8 Stem	C36000		

Remarks: **DJ-10P.01.xx**



Model No.	Specifications & Dimensions (mm)								Weight(kg)
	D	H	W1	W2	M	D1	D2	Cv	
DJ-10P.01.01	Ø70	70	27	91	NPT3/8	Ø13	Ø17	1.76	
DJ-10P.01.02	Ø70	70	50	114	NPT3/8	Ø13	Ø17	1.76	
DJ-10P.01.03	Ø70	70	87	137	NPT3/8	Ø13	Ø17	1.76	



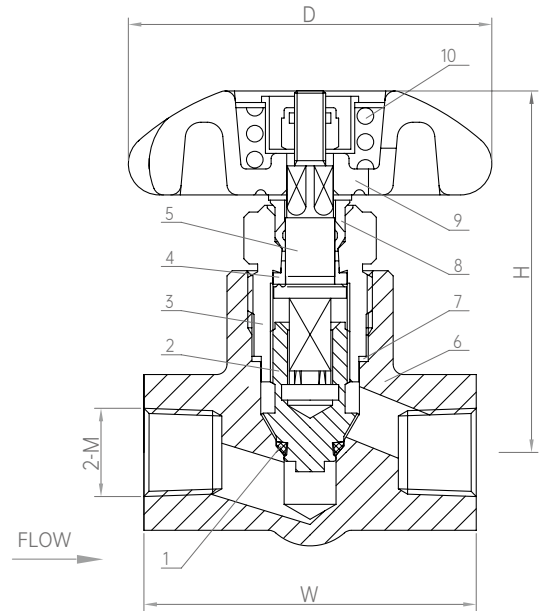
Cryogenic Globe Valve

Parameters

PN: 4.0MPa
DN: Ø10
Design Temp.: -196°C ~+85°C
Media: LNG. LO₂. LN₂. LAr. CO₂



This kind of product has certified by CE, EAC, TS and CCS
Standards: GB/T 24925, EN1626:2008, TR CU 032/2013



Materials

1	Gasket	PCTFE	6	Body	C37700
2	Gate	C36000	7	Washer	T2
3	Gland Nut	C36000	8	Gland	C36000
4	Washer	PTFE	9	Hand Wheel	ZL102
5	Stem	C36000	10	Spring	S30210

Remarks: **DJ-10P.02.xx**



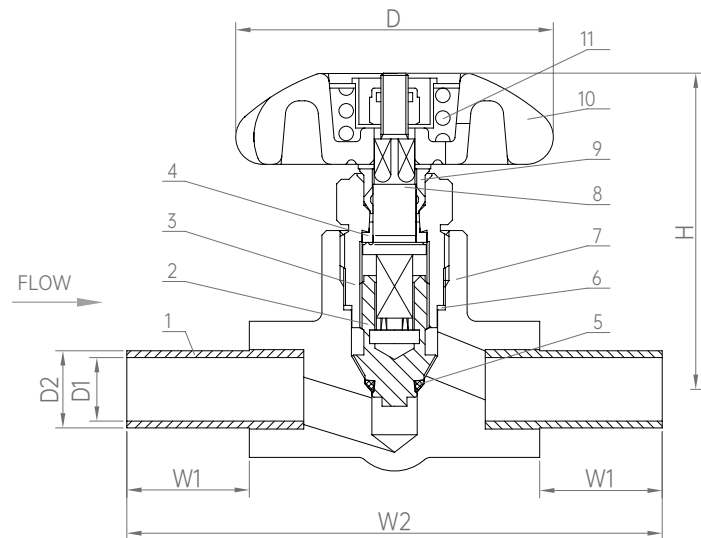
Model No.	Specifications & Dimensions (mm)					Weight(kg)
	D	H	W	M	Cv	
DJ-10P.02.01	Ø70	70	64	NPT 1/4	0.99	
DJ-10P.02.02	Ø70	70	64	NPT 3/8	1.76	
DJ-10P.02.03	Ø70	70	64	NPT 1/2	1.79	



Cryogenic Globe Valve

Parameters

PN: 4.0MPa
DN: Ø10
Design Temp.: -196°C ~+85°C
Media: LNG, LO₂, LN₂, LAr, CO₂



This kind of product has certified by CE, EAC, TS and CCS
Standards: GB/T 24925, EN1626:2008, TR CU 032/2013

Materials

1	Pipe	S30408	5	Gasket	PCTFE	9	Gland	C36000
2	Gate	C36000	6	Washer	T2	10	Hand Wheel	ZL102
3	Gland Nut	C36000	7	Body	C37700	11	Spring	S30210
4	Washer	PTFE	8	Stem	C36000			

Remarks: **DJ-10P.03.xx**



Model No.	Specifications & Dimensions (mm)							Weight(kg)
	D	H	W1	W2	D1	D2	Cv	
DJ-10P.03.01	Ø70	70	27	118	Ø13	Ø17	1.1	
DJ-10P.03.02	Ø70	70	55	174	Ø13	Ø17	1.1	

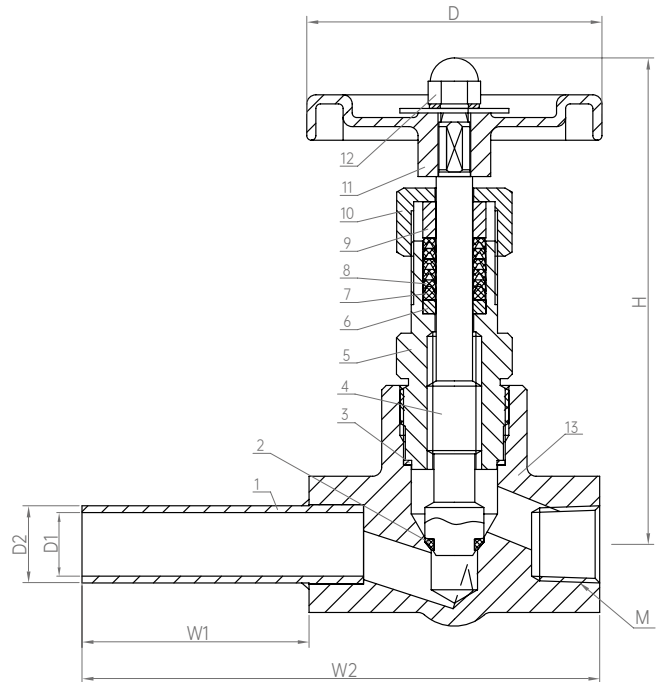
Cryogenic Globe Valve

Parameters

PN: 4.0MPa
DN: Ø10
Design Temp.: -196°C ~+85°C
Media: LNG, LO₂, LN₂, LAr, CO₂



This kind of product has certified by CE, EAC, TS and CCS
Standards: GB/T 24925, EN1626:2008, TR CU 032/2013



Materials

1 Pipe	S30408	6 Washer	C36000	11 Hand Wheel	Y102
2 Gasket	PCTFE	7 Upper Gasket	PTFE	12 Cap Nut	S30408
3 Washer	T2	8 V Ring	PTFE	13 Body	C37700
4 Stem	C36000	9 Gland	C36000		
5 Gland Nut	C36000	10 Gland Nut	C36000		

Remarks: **DJ-10P.21.xx**



Model No.	Specifications & Dimensions (mm)								Weight(kg)
	D	H	W1	W2	M	D1	D2	Cv	
DJ-10P.21.01	Ø70	106	27	91	NPT3/8	Ø13	Ø17	1.10	
DJ-10P.21.02	Ø70	106	50	114	NPT3/8	Ø13	Ø17	1.10	
DJ-10P.21.03	Ø70	106	87	137	NPT3/8	Ø13	Ø17	1.10	



Cryogenic Globe Valve

Parameters

PN: 4.0MPa

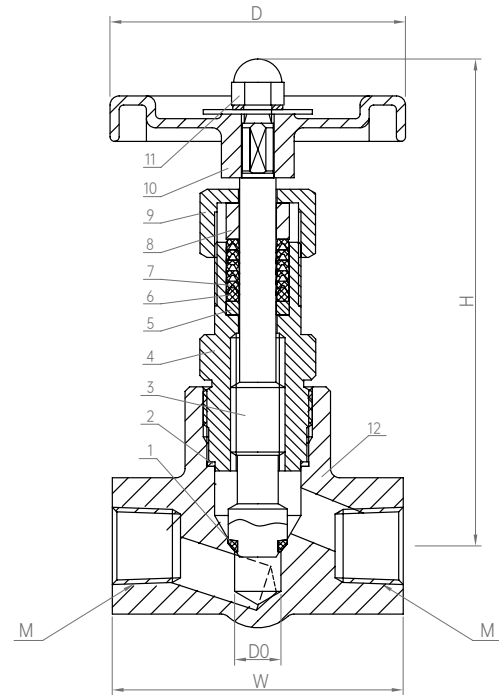
DN: Ø10

Design Temp.: -196°C ~+85°C

Media: LNG, LO₂, LN₂, LAr, CO₂



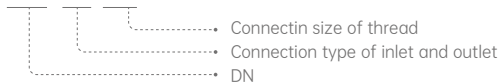
This kind of product has certified by CE, EAC, TS and CCS
Standards: GB/T 24925, EN1626:2008, TR CU 032/2013



Materials

1	Gasket	PCTFE	5	Washer	C36000	9	Gland Nut	C36000
2	Washer	T2	6	Upper Gasket	PTFE	10	Hand Wheel	Y102
3	Stem	C36000	7	V Ring	PTFE	11	Cap Nut	S30408
4	Gland Nut	C36000	8	Gland	C36000	12	Body	C37700

Remarks: **DJ-10P.22.xx**



Model No.	Specifications & Dimensions (mm)						Weight(kg)
	D	H	W	D0	M	Cv	
DJ-10P.22.01	Ø65	106	64	10	NPT 1/4	0.70	
DJ-10P.22.02	Ø65	106	64	10	NPT 3/8	1.10	
DJ-10P.22.03	Ø65	106	64	10	NPT 1/2	1.10	



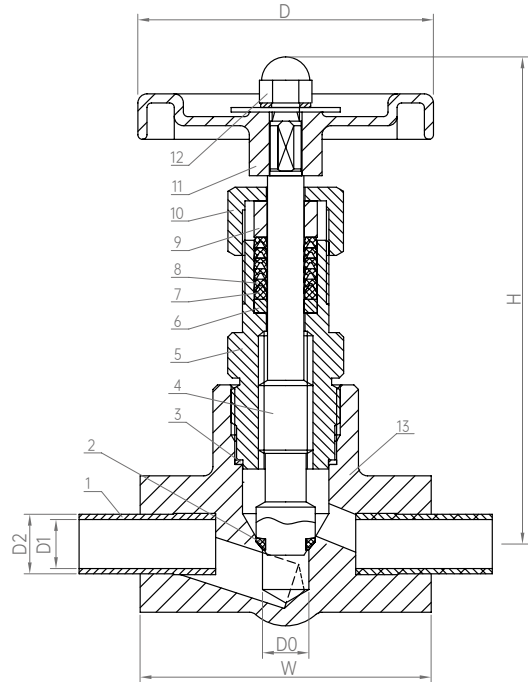
Cryogenic Globe Valve

Parameters

PN: 4.0MPa
DN: Ø10
Design Temp.: -196°C ~+85°C
Media: LNG, LO₂, LN₂, LAr, CO₂



This kind of product has certified by CE, EAC, TS and CCS
Standards: GB/T 24925, EN1626:2008, TR CU 032/2013



Materials

1 Pipe	S30408	6 Washer	C36000	11 Hand Wheel	Y102
2 Gasket	PCTFE	7 Upper Gasket	PTFE	12 Cap Nut	S30408
3 Washer	T2	8 V Ring	PTFE	13 Body	C37700
4 Stem	C36000	9 Gland	C36000		
5 Gland Nut	C36000	10 Gland Nut	C36000		

Remarks: **DJ-10P.23.xx**



Model No.	Specifications & Dimensions (mm)							Weight(kg)
	D	H	W1	W2	D1	D2	Cv	
DJ-10P.23.01	Ø70	106	27	118	Ø13	Ø17	1.10	
DJ-10P.23.02	Ø70	106	55	174	Ø13	Ø17	1.10	

Cryogenic Check Valve

www.baituvalves.com

BAITU CRYOGENIC VALVE



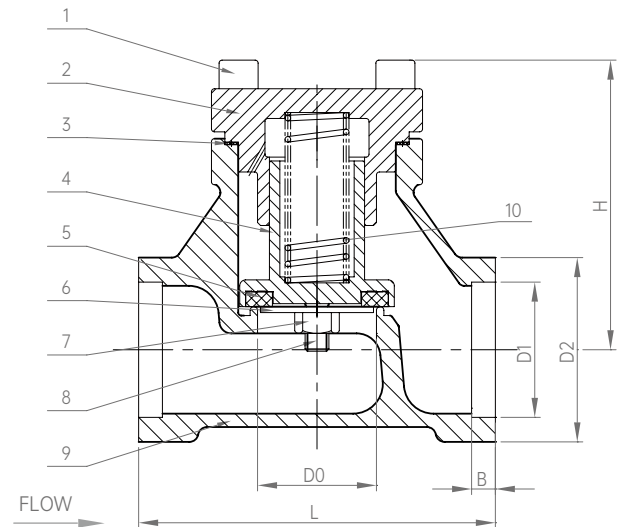
DH61F-40P

Cryogenic Check Valve Uplift Type

Parameters

PN: 4.0MPa
DN: Ø10~Ø50
Design Temp.: -196°C ~+80°C
Media: LNG, LO₂, LN₂, LAr

Connection : Socket Weld



This kind of product has certified by CE, EAC, TS and CCS
Standards: GB/T 24925, EN1626:2008, TR CU 032/2013

Materials

1	Hexagon Screw	S30408	5	Disc Sealing	PTFE	8	Split pin	S30408
2	Bonnet	CF8	6	Gasket	S30408	9	Body	CF8
3	Gasket	RPTFE	7	Hexagon Nut	S30408	10	Spring	S30210
4	Disc	S30408						

Model No.	Specifications & Dimensions (mm)						Weight(kg)
	H	L	D0	D1	D2	B	
DH-10	55	60	Ø13	Ø14.5	Ø24	6	
DH-15	62	65	Ø15	Ø18.5	Ø29.5	6	0.7
DH-20	70	80	Ø20	Ø25.5	Ø36	8	1.1
DH-25	77	90	Ø25	Ø32.5	Ø43.5	8	1.4
DH-32	89	105	Ø32	Ø38.5	Ø53	8	2.3
DH-40	98	120	Ø40	Ø45.5	Ø62	8	2.9
DH-50	111	140	Ø50	Ø57.5	Ø72	10	4.4
DH-10Y	55	60	Ø13	Ø17.8	Ø24	6	
DH-15Y	62	65	Ø15	Ø22.2	Ø29.5	6	0.7
DH-20Y	70	80	Ø20	Ø27.7	Ø36	8	1.1
DH-25Y	77	90	Ø25	Ø34.5	Ø43.5	8	1.4
DH-32Y	89	105	Ø32	Ø43.2	Ø53	8	2.3
DH-40Y	98	120	Ø40	Ø49	Ø62	8	2.9
DH-50Y	111	140	Ø50	Ø61.1	Ø72	10	4.5



DH61F-40P

Cryogenic Check Valve Uplift Type

Parameters

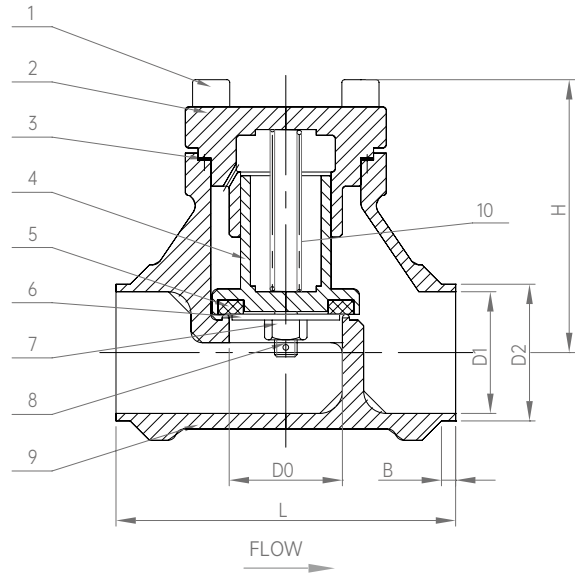
PN: 4.0MPa

DN: Ø10~Ø50

Design Temp.: -196°C ~+80°C

Media: LNG, LO₂, LN₂, LAr.

Connection : Butt Weld



This kind of product has certified by CE, EAC, TS and CCS
Standards: GB/T 24925, EN1626:2008, TR CU 032/2013

Materials

1 Hexagon Screw	S30408	5 Disc Sealing	PTFE	8 Split pin	S30408
2 Bonnet	CF8	6 Gasket	S30408	9 Body	CF8
3 Gasket	RPTFE	7 Hexagon Nut	S30408	10 Spring	S30210
4 Disc	S30408				

Model No.	Specifications & Dimensions (mm)						Weight(kg)
	H	L	D0	D1	D2	B	
DH-10A	55	60	Ø13	Ø13	Ø17	4	
DH-15A	62	65	Ø15	Ø17.08	Ø21.3	5	0.7
DH-20A	70	80	Ø20	Ø22.48	Ø26.7	5	1.1
DH-25A	77	90	Ø25	Ø27.9	Ø33.4	5	1.4
DH-32A	89	105	Ø32	Ø36	Ø42.2	5	2.3
DH-40A	98	120	Ø40	Ø43	Ø48.3	5	2.9
DH-50A	111	140	Ø50	Ø55	Ø60.3	5	4.4
DH-15K	62	65	Ø15	Ø14	Ø18	5	0.7
DH-20K	70	80	Ø20	Ø20	Ø25	5	1.1
DH-25K	77	90	Ø25	Ø27	Ø32	5	1.4
DH-32K	89	105	Ø32	Ø32	Ø38	5	2.3
DH-40K	98	120	Ø40	Ø39	Ø45	5	2.9
DH-50K	111	140	Ø50	Ø51	Ø57	5	4.4

DH11F-40P

Cryogenic Check Valve Uplift Type

Parameters

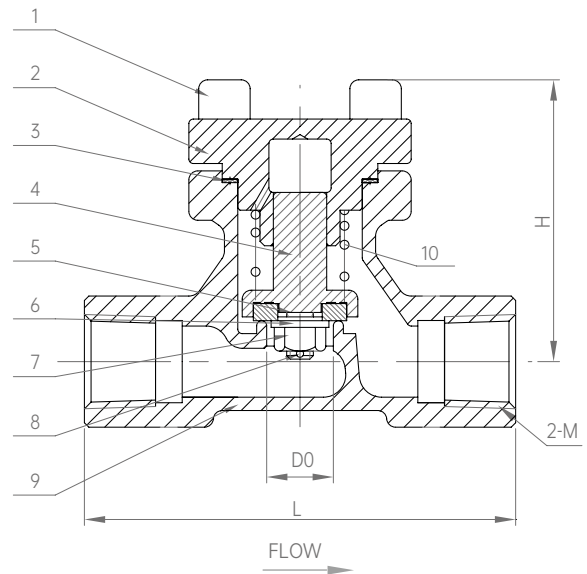
PN: 4.0MPa

DN: Ø10~Ø50

Design Temp.: -196°C ~+80°C

Media: LNG. LO₂. LN₂. LAr

Connection : Thread Connection



This kind of product has certified by CE, EAC, TS and CCS
Standards: GB/T 24925, EN1626:2008, TR CU 032/2013

Materials

1	Hexagon Screw	S30408	6	Gasket	S30408
2	Bonnet	CF8	7	Hexagon Nut	S30408
3	Gasket	RPTFE	8	Split pin	S30408
4	Disc	S30408	9	Body	CF8
5	Disc Sealing	PTFE	10	Spring	S30210

Model No.	Specifications & Dimensions (mm)				Weight(kg)
	H	L	D0	D1	
DH-10NPT	55	60	Ø13	NPT 3/8	
DH-15NPT	62	65	Ø15	NPT 1/2	
DH-20NPT	70	80	Ø20	NPT 3/4	



DH61F-63P

Cryogenic Check Valve Uplift Type

Parameters

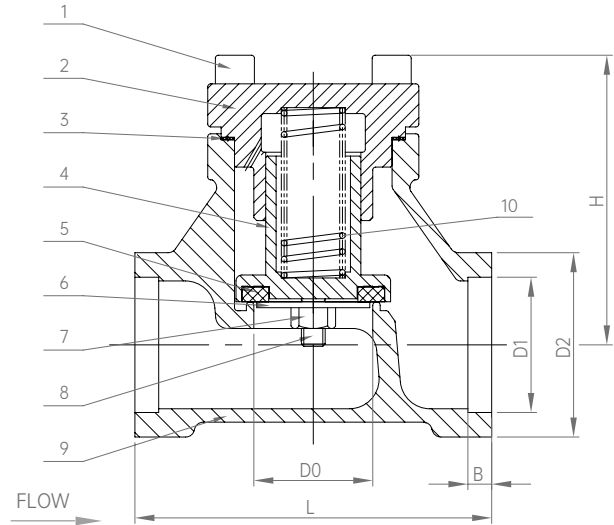
PN: 6.3MPa

DN: Ø10~Ø50

Design Temp.: -196°C ~+80°C

Media: LNG, LO₂, LN₂, LAr.

Connection : Socket Weld



This kind of product has certified by CE, EAC, TS and CCS
Standards: GB/T 24925, EN1626:2008, TR CU 032/2013

Materials

1 Hexagon Screw	S30408	5 Disc Sealing	PTFE	8 Split Pin	S30408
2 Bonnet	CF8	6 Gasket	S30408	9 Body	CF8
3 Gasket	RPTFE	7 Hexagon Nut	S30408	10 Spring	S30210
4 Disc	S30408				

Model No.	Specifications & Dimensions (mm)						Weight(kg)
	H	L	D0	D1	D2	B	
DH-10L	55	60	Ø13	Ø14.5	Ø24	6	
DH-15L	62	65	Ø15	Ø18.5	Ø29.5	6	
DH-20L	70	80	Ø20	Ø25.5	Ø36	8	
DH-25L	77	90	Ø25	Ø32.5	Ø43.5	8	
DH-32L	89	105	Ø32	Ø38.5	Ø53	8	
DH-40L	98	120	Ø40	Ø45.5	Ø62	8	
DH-50L	111	140	Ø50	Ø57.5	Ø72	10	
DH-10YL	55	60	Ø13	Ø17.8	Ø24	6	
DH-15YL	62	65	Ø15	Ø22.2	Ø29.5	6	
DH-20YL	70	80	Ø20	Ø27.7	Ø36	8	
DH-25YL	77	90	Ø25	Ø34.5	Ø43.5	8	
DH-32YL	89	105	Ø32	Ø43.2	Ø53	8	
DH-40YL	98	120	Ø40	Ø49	Ø62	8	
DH-50YL	111	140	Ø50	Ø61.1	Ø72	10	

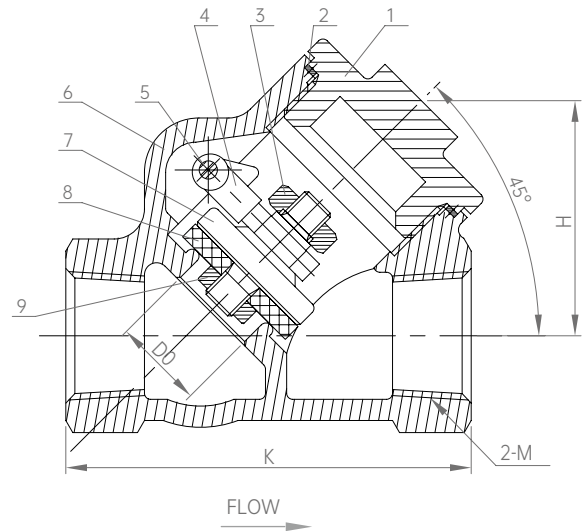
DH14F-40P

Cryogenic Check Valve Swing Type

Parameters

PN: 4.0MPa
DN: Ø10~Ø50
Design Temp.: -196°C ~+80°C
Media: LNG, LO₂, LN₂, LAr

Connection : Thread Connection



This kind of product has certified by CE, EAC, TS and CCS
Standards: GB/T 24925, EN1626:2008, TR CU 032/2013

Materials

1	Bonnet	CF8	6	Body	CF8
2	Gasket	T2	7	Disc	HPb59-1
3	Nut	HPb59-1	8	Gasket	PTFE
4	Rolling Bar	HPb59-1	9	Nut	HPb59-1
5	Round Pin	S30408			

Model No.	Specifications & Dimensions (mm)				Weight(kg)
	H	L	D0	D1	
DHX-10	54	Ø15	34.5	NPT 3/8	
DHX-15	67	Ø15	39	NPT 1/2	0.8
DHX-25	95	Ø25	54	NPT 1	0.9
DHX-40	137	Ø40	79	NPT 1 1/2	1.8



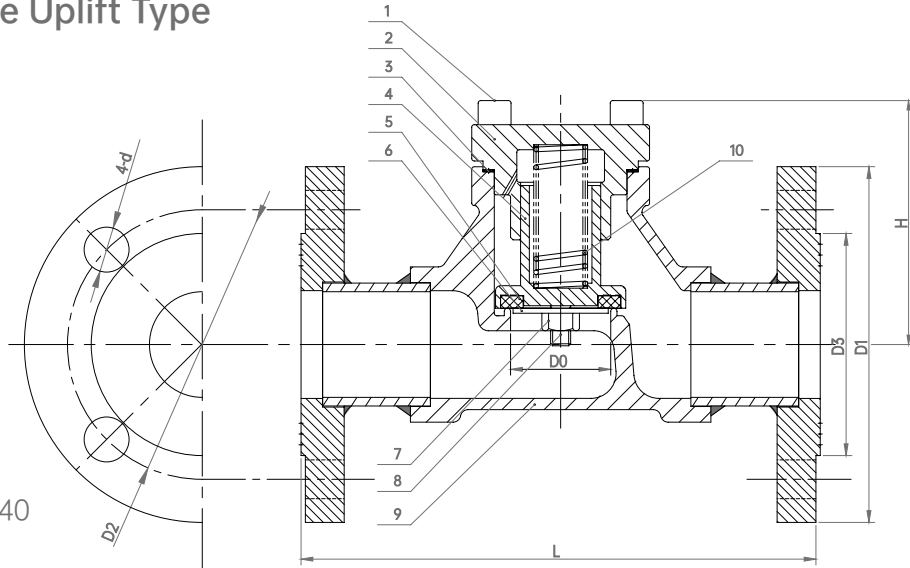
DH41F-63P

Cryogenic Check Valve Uplift Type

Parameters

PN: 6.3MPa
DN: Ø10~Ø50
Design Temp.: -196°C ~+80°C
Media: LNG, LO₂, LN₂, LAr.

Connection :
Flanged connection with PN 40



This kind of product has certified by CE, EAC, TS and CCS
Standards: GB/T 24925, EN1626:2008, TR CU 032/2013

Materials

1 Hexagon Screw	S30408	5 Disc Sealing	PTFE	8 Split Pin	S30408
2 Bonnet	CF8	6 Gasket	S30408	9 Body	CF8
3 Gasket	RPTFE	7 Hexagon Nut	S30408	10 Spring	S30210
4 Disc	S30408				

Model No.	Specifications & Dimensions (mm)							Weight(kg)
	H	D0	D1	D2	D3	d	L	
DH-20F	70	Ø20	Ø105	Ø75	Ø58	Ø14	154	
DH-25F	77	Ø25	Ø115	Ø85	Ø68	Ø14	166	
DH-32F	89	Ø32	Ø140	Ø100	Ø78	Ø18	185	
DH-40F	98	Ø40	Ø150	Ø110	Ø88	Ø18	214	
DH-50F	111	Ø50	Ø165	Ø125	Ø102	Ø18	240	

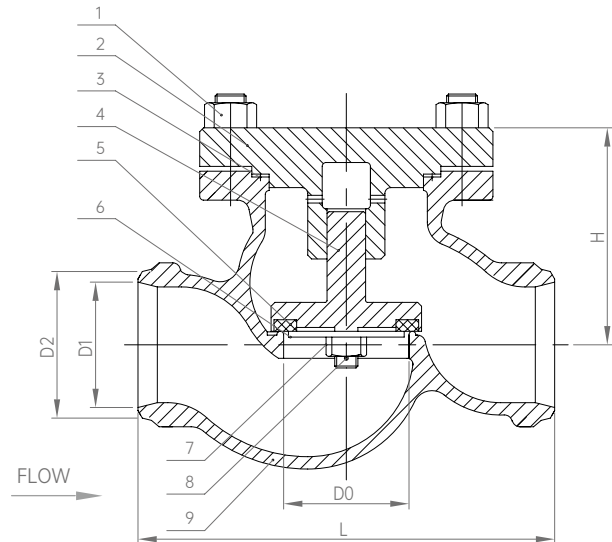
DH61F-40P

Cryogenic Check Valve Uplift Type

Parameters

PN: 4.0MPa
DN: Ø65~Ø100
Design Temp.: -196°C ~+80°C
Media: LNG, LO₂, LN₂, LAr

Connection : Butt Weld



This kind of product has certified by CE, EAC, TS and CCS
Standards: GB/T 24925, EN1626:2008, TR CU 032/2013

Materials

1	Hexagon Screw	S30408	6	Gasket	S30408
2	Bonnet	CF8	7	Hexagon Nut	S30408
3	Gasket	RPTFE	8	Split Pin	S30408
4	Disc	S30408	9	Body	CF8
5	Disc Sealing	PTFE			

Model No.	Specifications & Dimensions (mm)					Weight(kg)
	H	L	D0	D1	D2	
DH-65	112	216	Ø65	Ø70	Ø76	10.0
DH-80	118	241	Ø80	Ø81	Ø89	13.9
DH-100	138	292	Ø100	Ø100	Ø108	
DH-100C	138	275	Ø100	Ø106.3	Ø114.3	



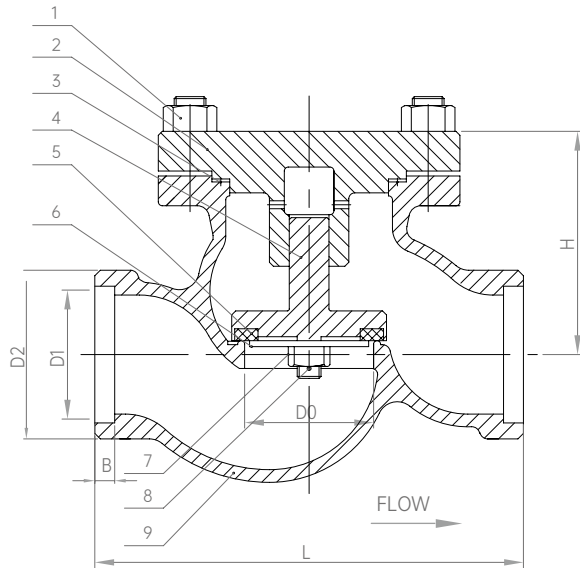
DH61F-40P

Cryogenic Check Valve Uplift Type

Parameters

PN: 4.0MPa
DN: Ø65~Ø100
Design Temp.: -196°C ~+80°C
Media: LNG, LO₂, LN₂, LAr.

Connection : Socket Weld



This kind of product has certified by CE, EAC, TS and CCS
Standards: GB/T 24925, TR CU 032/2013

Materials

1	Hexagon Screw	S30408	6	Gasket	S30408
2	Bonnet	CF8	7	Hexagon Nut	S30408
3	Gasket	RPTFE	8	Split Pin	S30408
4	Disc	S30408	9	Body	CF8
5	Disc Sealing	PTFE			

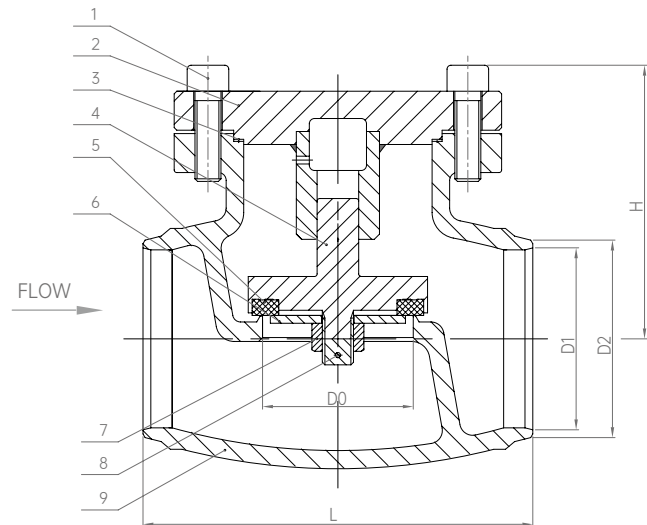
Model No.	Specifications & Dimensions (mm)						Weight(kg)
	H	L	D0	D1	D2	B	
DH-65B	112	216	Ø65	Ø76.5	Ø85	15	10
DH-80B	118	241	Ø80	Ø89.5	Ø103	15	13.9
DH-100B	138	292	Ø100	Ø108.5	Ø120	15	

DH61F-40P

Cryogenic Check Valve Uplift Type

Parameters

PN: 4.0MPa
 DN: Ø65~Ø100
 Design Temp.: -196°C ~+80°C
 Media: LNG. LO₂. LN₂. LAr
 Connection : Butt Weld



This kind of product has certified by CE, EAC, TS and CCS
 Standards: GB/T 24925, EN1626:2008, TR CU 032/2013

Materials

1	Hexagon Screw	S30408	6	Gasket	S30408
2	Bonnet	CF8	7	Hexagon Nut	S30408
3	Gasket	RPTFE	8	Split Pin	S30408
4	Disc	S30408	9	Body	CF8
5	Disc Sealing	PTFE			

Model No.	Specifications & Dimensions (mm)					Weight(kg)
	H	L	D0	D1	D2	
DH65.001	105	150	Ø58	Ø70	Ø76	
DH80.001	125	182	Ø72	Ø81	Ø89	9.1
DH100.001	150	226	Ø90	Ø100	Ø108	



DH61F-40P

Cryogenic Check Valve Uplift Type

Parameters

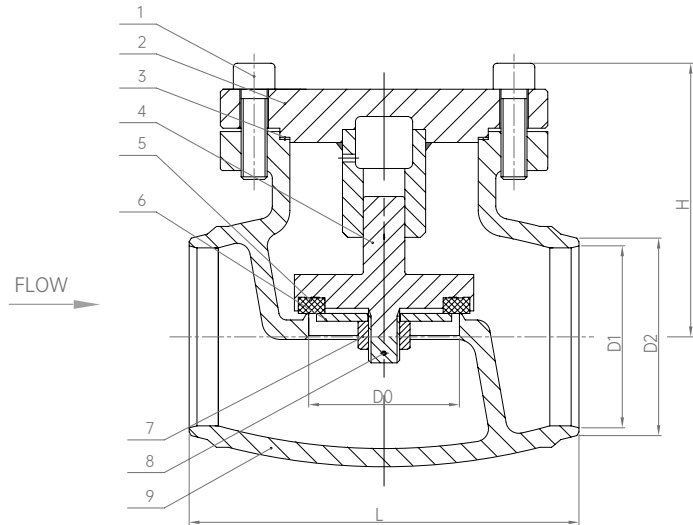
PN: 4.0MPa

DN: Ø150

Design Temp.: -196°C ~+80°C

Media: LNG, LO₂, LN₂, LAr.

Connection : Butt Weld



This kind of product has certified by CE, EAC, TS and CCS
Standards: GB/T 24925, TR CU 032/2013

Materials

1	Hexagon Screw	S30408	6	Gasket	S30408
2	Bonnet	CF8	7	Hexagon Nut	S30408
3	Gasket	RPTFE	8	Split Pin	S30408
4	Disc	S30408	9	Body	CF8
5	Disc Sealing	PTFE			

Model No.	Specifications & Dimensions (mm)					Weight(kg)
	H	L	D0	D1	D2	
DH-150	230	317	Ø150	Ø147	Ø159	

DH41F-40P

Cryogenic Check Valve Uplift Type

Parameters

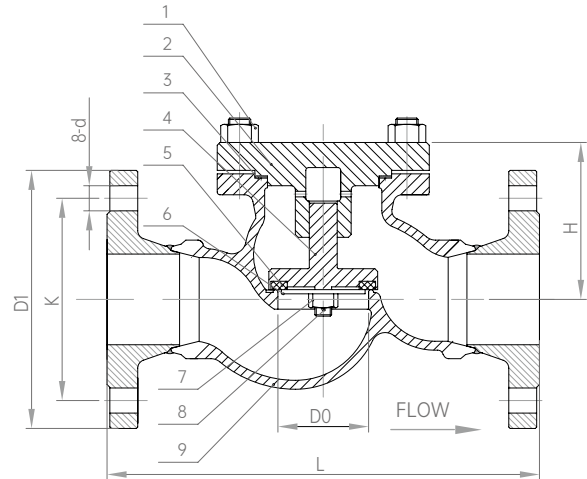
PN: 4.0MPa

DN: Ø65~Ø100

Design Temp.: -196°C ~+80°C

Media: LNG. LO₂. LN₂. LAr

Connection : Flanged connection



This kind of product has certified by CE, EAC, TS and CCS
Standards: GB/T 24925, EN1626:2008, TR CU 032/2013

Materials

1	Hexagon Screw	S30408	6	Gasket	S30408
2	Bonnet	CF8	7	Hexagon Nut	S30408
3	Gasket	RPTFE	8	Split Pin	S30408
4	Disc	S30408	9	Body	CF8
5	Disc Sealing	PTFE			

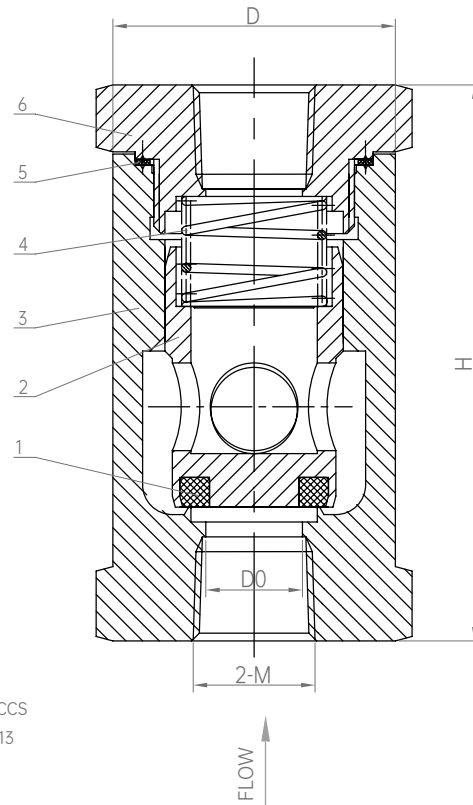
Model No.	Specifications & Dimensions (mm)						Weight(kg)
	H	L	D0	D1	K	d	
DH-65F	112	308	Ø65	Ø185	Ø145	Ø18	
DH-80F	118	345	Ø80	Ø200	Ø160	Ø18	
DH-100F	138	410	Ø100	Ø235	Ø190	Ø18	



Cryogenic Check Valve

Parameters

PN: 4.0MPa
DN: Ø15
Design Temp.: -196°C ~+85°C
Media: LNG. LO₂. LN₂. LAr. CO₂



This kind of product has certified by CE, EAC, TS and CCS
Standards: GB/T 24925, EN1626:2008, TR CU 032/2013

Materials

1	Gasket	PTFE	4	Spring	C51900
2	Disc	C36000	5	Gasket	T2
3	Body	C37700	6	Gland Nut	S36000

Model No.	Specifications & Dimensions (mm)						Weight(kg)
	D	D0	M	H	Cv	Opening pressure(psi)	
H1501	38	17	NPT 1/2	75.5	6.1	1.0	

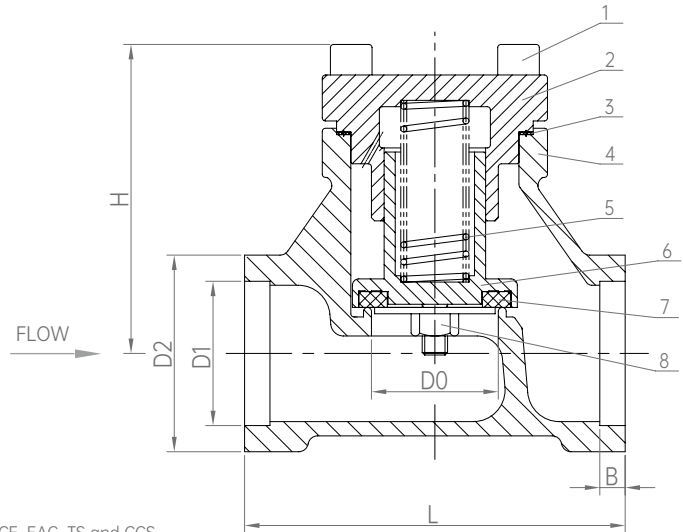
DH61F-40T

Cryogenic Check Valve Uplift Type

Parameters

PN: 4.0MPa
DN: Ø10~Ø50
Design Temp.: -196°C ~+80°C
Media: LNG. LO₂. LN₂. LAr. CO₂

Connection : Socket Weld

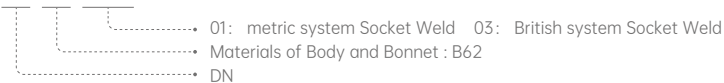


This kind of product has certified by CE, EAC, TS and CCS
Standards: GB/T 24925, EN1626:2008, TR CU 032/2013

Materials

1	Screw	S30408	5	Spring	C51900
2	Bonnet	C37700	6	Disc	C36000
3	Gasket	D#9000	7	Gasket	PTFE
4	Body	B62	8	Nut	C36000

Remarks: **DH-15.99.xx**



Model No.	Specifications & Dimensions (mm)								Weight(kg)
	H	L	D0	D1 metric system	D1 British system	D2	B	Cv	
DH-10.99.xx	55	60	13	14.5	17.8	24	6	2.0	
DH-15.99.xx	62	65	15	18.5	21.8	29.5	6	2.7	
DH-20.99.xx	70	80	20	25.5	27.4	36	8	5.5	
DH-25.99.xx	77	90	25	32.5	34.2	43.5	8	8.7	
DH-32.99.xx	89	105	32	38.5	42.9	53	8	15	
DH-40.99.xx	98	120	40	45.5	48.8	62	8	20	
DH-50.99.xx	111	140	50	57.5	60.8	72	10	35	

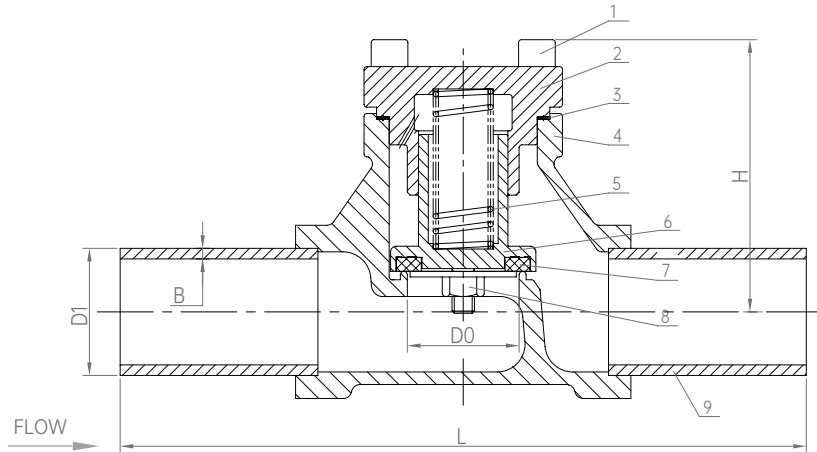


DH61F-40T

Cryogenic Check Valve Uplift Type

Parameters

PN: 4.0MPa
DN: Ø10 ~ Ø50
Design Temp.: -196°C ~ +80°C
Media: LNG, LO₂, LN₂, LAr, CO₂



This kind of product has certified by CE, EAC, TS and CCS
Standards: GB/T 24925, EN1626:2008, TR CU 032/2013

Materials

1 Screw	S30408	4 Body	B62	7 Gasket	PTFE
2 Bonnet	C37700	5 Spring	C30210	8 Nut	C36000
3 Gasket	D#9000	6 Disc	C36000	9 Connecting Pipe	C12200

Remarks: **DH-15.99.xx**

- 05: Brass Pipe(metric system) 07: Brass Pipe(British system)
- Materials of Body and Bonnet : B62
- DN

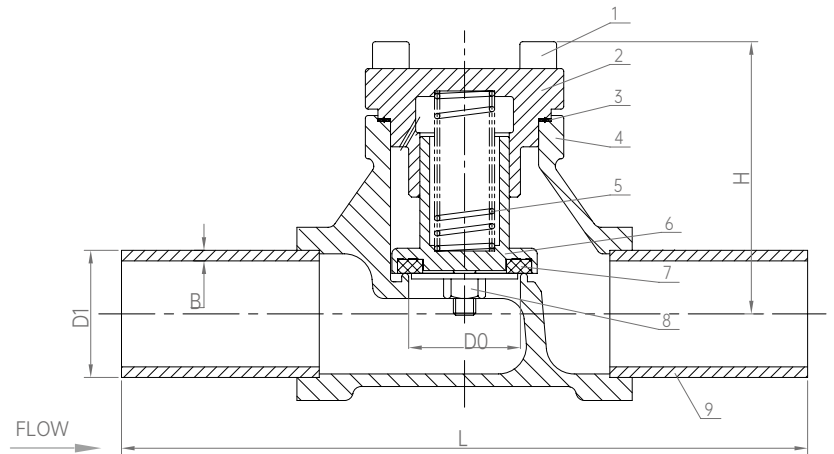
Model No.	Specifications & Dimensions (mm)							Weight(kg)
	H	L	D0	D1 metric system	D1 British system	B	Cv	
DH-10.99.xx	55	360	13	14	17.2	1.0	2.0	
DH-15.99.xx	62	365	15	18	21.3	1.5	2.7	
DH-20.99.xx	70	380	20	25	26.9	1.5	5.5	
DH-25.99.xx	77	390	25	32	33.7	1.5	8.7	
DH-32.99.xx	89	405	32	38	42.4	1.5	15	
DH-40.99.xx	98	420	40	45	48.3	1.5	20	
DH-50.99.xx	111	440	50	57	60.3	2.0	35	

DH61F-40T

Cryogenic Check Valve Uplift Type

Parameters

PN: 4.0MPa
DN: Ø10 ~ Ø50
Design Temp.: -196°C ~ +80°C
Media: LNG, LO₂, LN₂, LAr, CO₂

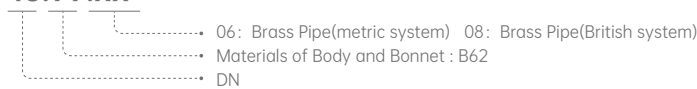


This kind of product has certified by CE, EAC, TS and CCS
Standards: GB/T 24925, EN1626:2008, TR CU 032/2013

Materials

1 Screw	S30408	4 Body	B62	7 Gasket	PTFE
2 Bonnet	C37700	5 Spring	C30210	8 Nut	C36000
3 Gasket	D#9000	6 Disc	C36000	9 Connecting Pipe	S30408

Remarks: **DH-15.99.xx**



Model No.	Specifications & Dimensions (mm)								Weight(kg)
	H	L	D0	D1 metric system	D1 British system	B metric system	B British system	Cv	
DH-10.99.xx	55	210	13	14	17.2	2.5	2.31	2.0	
DH-15.99.xx	62	215	15	18	21.3	2.8	2.77	2.7	
DH-20.99.xx	70	230	20	25	26.9	3.0	2.87	5.5	
DH-25.99.xx	77	240	25	32	33.7	3.5	3.38	8.7	
DH-32.99.xx	89	255	32	38	42.4	3.6	3.56	15	
DH-40.99.xx	98	270	40	45	48.3	3.6	3.68	20	
DH-50.99.xx	111	290	50	57	60.3	4.0	3.91	35	

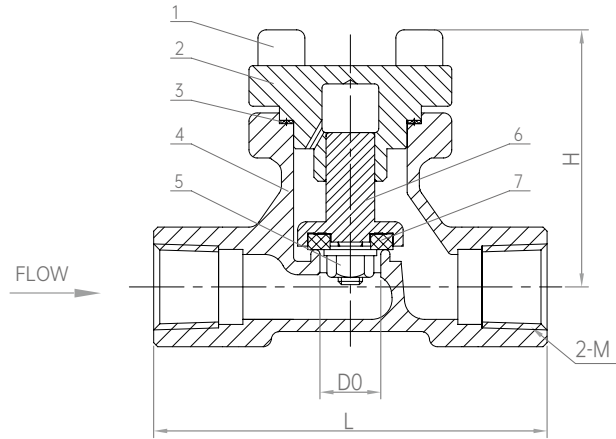


DH11F-40T

Cryogenic Check Valve Uplift Type

Parameters

PN: 4.0MPa
DN: Ø10~Ø25
Design Temp.: -196°C ~+80°C
Media: LNG. LO₂. LN₂. LAr. CO₂
Connection : Socket Weld

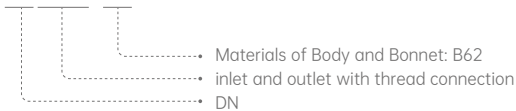


This kind of product has certified by CE, EAC, TS and CCS
Standards: GB/T 24925, EN1626:2008, TR CU 032/2013

Materials

1	Screw	S30408	5	Nut	C36000
2	Bonnet	B62	6	Disc	C37700
3	Gasket	D#9000	7	Gasket	PTFE
4	Body	B62			

Remarks: **DH-15NPT.99**



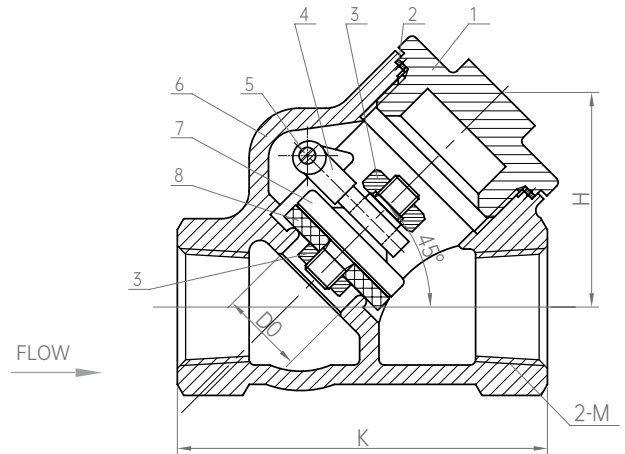
Model No.	Specifications & Dimensions (mm)					Weight(kg)
	H	L	D0	M	Cv	
DH-10NPT.99	55	60	13	NPT 3/8	2.0	
DH-15NPT.99	62	65	15	NPT 1/2	2.7	
DH-20NPT.99	70	80	20	NPT 3/4	5.5	
DH-25NPT.99	77	90	25	NPT 1	8.7	

DH14F-40T

Cryogenic Check Valve Swing Type

Parameters

PN: 4.0MPa
 DN: Ø15 ~ Ø25
 Design Temp.: -196°C ~ +80°C
 Media: LNG, LO₂, LN₂, LAr, CO₂



This kind of product has certified by CE, EAC, TS and CCS
 Standards: GB/T 24925, EN1626:2008, TR CU 032/2013

Materials

1	Bonnet	C37700	5	Central Shaft	S30408
2	Gasket	T2	6	Body	B62
3	Nut	C36000	7	Disc	C36000
4	Rolling Bar	C37700	8	Gasket	PTFE

Model No.	Specifications & Dimensions (mm)					Weight(kg)
	K	D0	H	M	Cv	
DHX-15.99	67	15	39	NPT 1/2	4.5	0.6
DHX-25.99	95	25	54	NPT 1	10	



DH61F-40P

Cryogenic Check Valve Uplift Type

Parameters

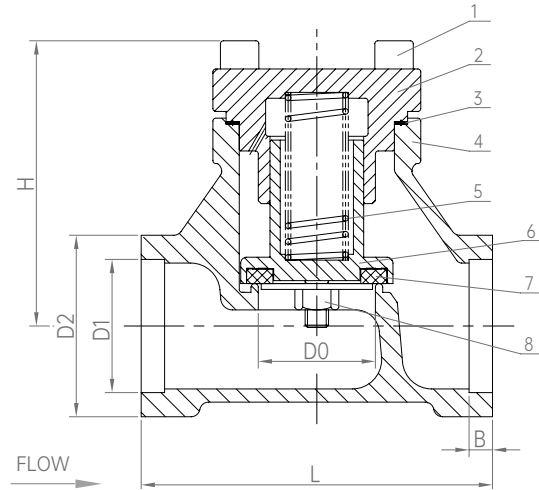
PN: 4.0MPa

DN: Ø10~Ø50

Design Temp.: -196°C ~+80°C

Media: LNG, LO₂, LN₂, LAr, CO₂

Connection : Socket Weld



This kind of product has certified by CE, EAC, TS and CCS
Standards: GB/T 24925, EN1626:2008, TR CU 032/2013

Materials

1	Screw	S30408	5	Spring	S30210
2	Bonnet	CF8	6	Disc	C30408
3	Gasket	D#9000	7	Gasket	PTFE
4	Body	CF8	8	Nut	S30408

Remarks: DH-15.98.xx

- 01: metric system Socket Weld 03: British system Socket Weld
- Materials of Body and Bonnet : CF8
- DN

Model No.	Specifications & Dimensions (mm)								Weight(kg)
	H	L	D0	D1 metric system	D1 British system	D2	B	Cv	
DH-10.98.xx	55	60	13	14.5	17.8	24	6	2.0	
DH-15.98.xx	62	65	15	18.5	21.8	29.5	6	2.7	
DH-20.98.xx	70	80	20	25.5	27.4	36	8	5.5	
DH-25.98.xx	77	90	25	32.5	34.2	43.5	8	8.7	
DH-32.98.xx	89	105	32	38.5	42.9	53	8	15	
DH-40.98.xx	98	120	40	45.5	48.8	62	8	20	
DH-50.98.xx	111	140	50	57.5	60.8	72	10	35	

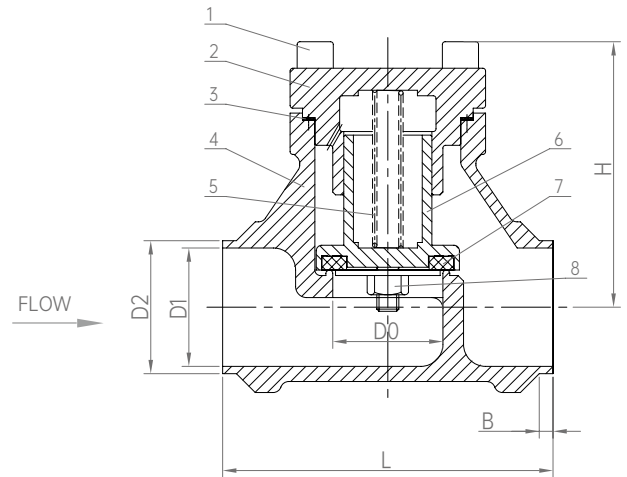
DH61F-40P

Cryogenic Check Valve Uplift Type

Parameters

PN: 4.0MPa
DN: Ø10~Ø50
Design Temp.: -196°C ~+80°C
Media: LNG. LO₂. LN₂. LAr. CO₂

Connection : Butt Weld



This kind of product has certified by CE, EAC, TS and CCS
Standards: GB/T 24925, EN1626:2008, TR CU 032/2013

Materials

1	Screw	S30408		5	Spring	S30210
2	Bonnet	CF8		6	Disc	C30408
3	Gasket	D#9000		7	Gasket	PTFE
4	Body	CF8		8	Nut	S30408

Remarks: DH-15.98.xx

- 02: metric system Butt Weld 04: British system Butt Weld
- Materials of Body and Bonnet : CF8
- DN

Model No.	Specifications & Dimensions (mm)									Weight(kg)
	H	L	D0	D1 metric system	D2 metric system	D1 British system	D2 British system	B	Cv	
DH-10.98.xx	55	60	13	/	/	13	17.2	4	2.0	
DH-15.98.xx	62	65	15	14	18	17.08	21.3	5	2.7	
DH-20.98.xx	70	80	20	20	25	22.48	26.9	5	5.5	
DH-25.98.xx	77	90	25	27	32	27.9	33.7	5	8.7	
DH-32.98.xx	89	105	32	32	38	36	42.4	5	15	
DH-40.98.xx	98	120	40	39	45	43	48.3	5	20	
DH-50.98.xx	111	140	50	51	57	55	60.3	5	35	



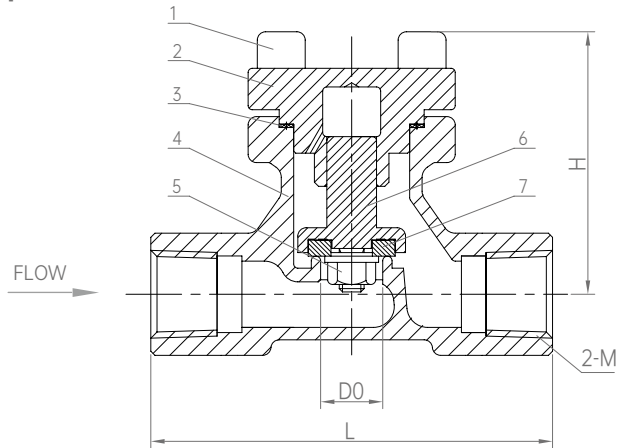
DH11F-40P

Cryogenic Check Valve Uplift Type

Parameters

PN: 4.0MPa
DN: Ø10~Ø25
Design Temp.: -196°C ~+80°C
Media: LNG, LO₂, LN₂, LAr, CO₂

Connection : Thread Connection

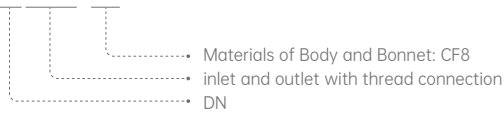


This kind of product has certified by CE, EAC, TS and CCS
Standards: GB/T 24925, EN1626:2008, TR CU 032/2013

Materials

1	Screw	S30408	5	Nut	S30408
2	Bonnet	CF8	6	Disc	S30408
3	Gasket	D#9000	7	Gasket	PTFE
4	Body	CF8			

Remarks: **DH-15NPT.98**



Model No.	Specifications & Dimensions (mm)					Weight(kg)
	H	L	D0	M	Cv	
DH-10NPT.98	55	60	13	NPT 3/8	2.0	
DH-15NPT.98	62	65	15	NPT 1/2	2.7	
DH-20NPT.98	70	80	20	NPT 3/4	5.5	
DH-25NPT.98	77	90	25	NPT 1	8.7	

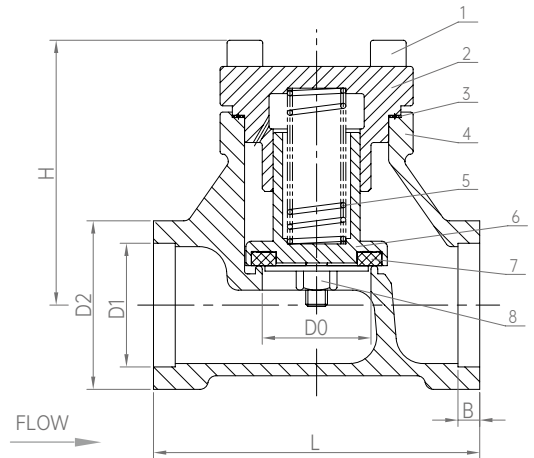
DH61F-40P

Cryogenic Check Valve Uplift Type

Parameters

PN: 4.0MPa
 DN: Ø10~Ø50
 Design Temp.: -196°C ~+80°C
 Media: LNG. LO₂. LN₂. LAr. CO₂

Connection : Socket Weld



This kind of product has certified by CE, EAC, TS and CCS
 Standards: GB/T 24925, EN1626:2008, TR CU 032/2013

Materials

1	Screw	S30408	5	Spring	C30210
2	Bonnet	C37700	6	Disc	C36000
3	Gasket	D#9000	7	Gasket	PTFE
4	Body	CF8	8	Nut	S36000

Remarks: DH-15.97.xx

01: metric system Socket Weld 03: British system Socket Weld
 Materials of Body : CF8
 DN

Model No.	Specifications & Dimensions (mm)								Weight(kg)
	H	L	D0	D1 metric system	D1 British system	D2	B	Cv	
DH-10.97.xx	55	60	13	14.5	17.8	24	6	2.0	
DH-15.97.xx	62	65	15	18.5	21.8	29.5	6	2.7	
DH-20.97.xx	70	80	20	25.5	27.4	36	8	5.5	
DH-25.97.xx	77	90	25	32.5	34.2	43.5	8	8.7	
DH-32.97.xx	89	105	32	38.5	42.9	53	8	15	
DH-40.97.xx	98	120	40	45.5	48.8	62	8	20	
DH-50.97.xx	111	140	50	57.5	60.8	72	10	35	



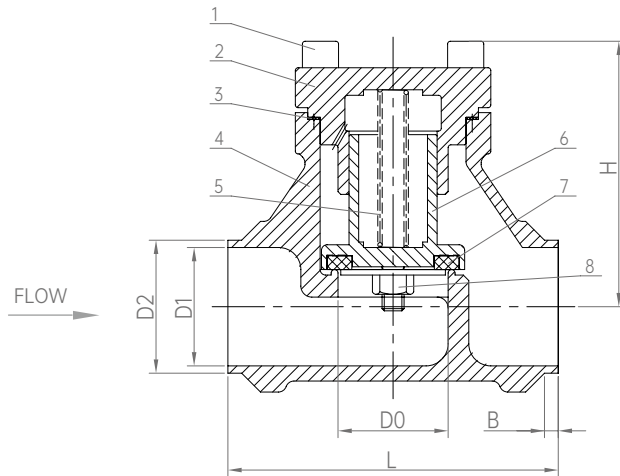
DH61F-40P

Cryogenic Check Valve Uplift Type

Parameters

PN: 4.0MPa
DN: Ø10~Ø50
Design Temp.: -196°C ~+80°C
Media: LNG. LO₂. LN₂. LAr. CO₂

Connection : Butt Weld

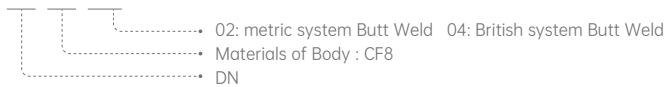


This kind of product has certified by CE, EAC, TS and CCS
Standards: GB/T 24925, EN1626:2008, TR CU 032/2013

Materials

1	Screw	S30408	5	Spring	C30210
2	Bonnet	C37700	6	Disc	C36000
3	Gasket	D#9000	7	Gasket	PTFE
4	Body	CF8	8	Nut	S36000

Remarks: **DH-15.97.xx**



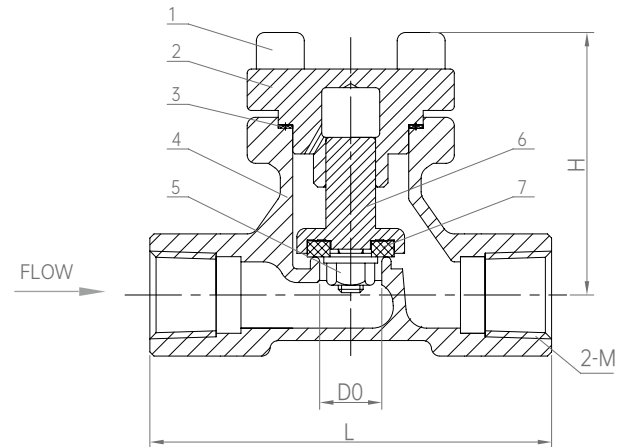
Model No.	Specifications & Dimensions (mm)									Weight(kg)
	H	L	D0	D1 metric system	D2 metric system	D1 British system	D2 British system	B	Cv	
DH-10.97.xx	55	60	13			13	17.2	4	2.0	
DH-15.97.xx	62	65	15	14	18	17.08	21.3	5	2.7	
DH-20.97.xx	70	80	20	20	25	22.48	26.9	5	5.5	
DH-25.97.xx	77	90	25	27	32	27.9	33.7	5	8.7	
DH-32.97.xx	89	105	32	32	38	36	42.4	5	15	
DH-40.97.xx	98	120	40	39	45	43	48.3	5	20	
DH-50.97.xx	111	140	50	51	57	55	60.3	5	35	

DH11F-40P

Cryogenic Check Valve Uplift Type

Parameters

PN: 4.0MPa
DN: Ø10~Ø25
Design Temp.: -196°C ~+80°C
Media: LNG. LO₂. LN₂. LAr. CO₂

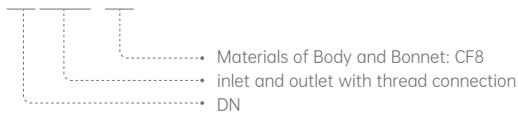


This kind of product has certified by CE, EAC, TS and CCS
Standards: GB/T 24925, EN1626:2008, TR CU 032/2013

Materials

1	Screw	S30408	5	Nut	S36000
2	Bonnet	C37700	6	Disc	S36000
3	Gasket	D#9000	7	Gasket	PTFE
4	Body	CF8			

Remarks: **DH-15NPT.97**



Model No.	Specifications & Dimensions (mm)					Weight(kg)
	H	L	D0	M	Cv	
DH-10NPT.97	55	60	13	NPT 3/8	2.0	
DH-15NPT.97	62	65	15	NPT 1/2	2.7	
DH-20NPT.97	70	80	20	NPT 3/4	5.5	
DH-25NPT.97	77	90	25	NPT 1	8.7	

Emergency Shut-off Valve

www.baituvalves.com

BAITU CRYOGENIC VALVE



DJ661F-16P

Emergency Shut-off Valve

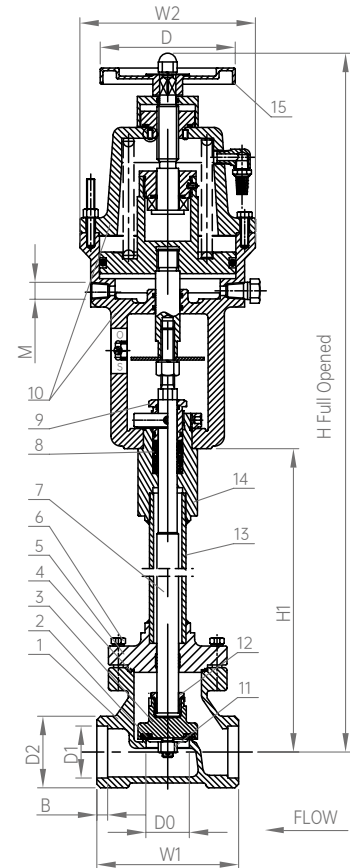
Parameters

PN: 1.6MPa
 DN: Ø10 ~ Ø50
 Design Temp.: -196°C ~ +75°C
 Media: LNG, LO₂, LN₂, LAr, CO₂
 Driving Pressure: 0.4 ~ 0.7MPa

Connection: Socket Weld



This kind of product has certified by CE, EAC, TS and CCS
 Standards: GB/T 24918, EN1626:2008, TR CU 032/2013



Materials

1	Body	CF8	6	Screw	S30408	11	Hexagon Nut	S30408
2	Disc Sealing	PCTFE	7	Stem	S30408	12	Connecting Nut	S30408
3	Disc	S30408	8	V ring	PTFE	13	Connecting Pipe	S30408
4	Gasket	RPTFE	9	Gland Nut	S30408	14	Gland Packings	S30408
5	Bonnet	S30408	10	Cylinder Body & Cover	ZL104	15	Hand Wheel	Y102

Model No.	Specifications & Dimensions (mm)										Maximum Working Pressure (MPa)	Weight(kg)
	H	H1	D	D0	D1	D2	B	W1	W2	M		
DJQ-15B	475	175	Ø100	Ø15	Ø18.5	Ø29.5	6	65	Ø130	Rc1/4	1.6	6.2
DJQ-20	479	179	Ø100	Ø20	Ø25.5	Ø36	8	80	Ø130	Rc1/4	1.6	6.4
DJQ-25	486	186	Ø100	Ø25	Ø32.5	Ø43.5	8	90	Ø130	Rc1/4	1.6	6.7
DJQ-32B	500	200	Ø100	Ø32	Ø38.5	Ø53	8	105	Ø130	Rc1/4	1.6	7.9
DJQ-40B	577	223	Ø125	Ø40	Ø45.5	Ø62	8	120	Ø160	Rc1/4	1.6	12.5
DJQ-50B	587	233	Ø125	Ø50	Ø57.5	Ø72	10	140	Ø160	Rc1/4	1.6	14.1
DJQ-15Y	475	175	Ø100	Ø15	Ø22.2	Ø29.5	6	65	Ø130	Rc1/4	1.6	6.2
DJQ-20Y	479	179	Ø100	Ø20	Ø27.7	Ø36	8	80	Ø130	Rc1/4	1.6	6.4
DJQ-25Y	486	186	Ø100	Ø25	Ø34.5	Ø43.5	8	90	Ø130	Rc1/4	1.6	6.7
DJQ-32Y	500	200	Ø100	Ø32	Ø43.2	Ø53	8	105	Ø130	Rc1/4	1.6	7.9
DJQ-40Y	577	223	Ø125	Ø40	Ø49	Ø62	8	120	Ø160	Rc1/4	1.6	12.5
DJQ-50Y	587	233	Ø125	Ø50	Ø61.1	Ø72	10	140	Ø160	Rc1/4	1.6	14.1



DJ661F-25P

Emergency Shut-off Valve

Parameters

PN: 2.5MPa

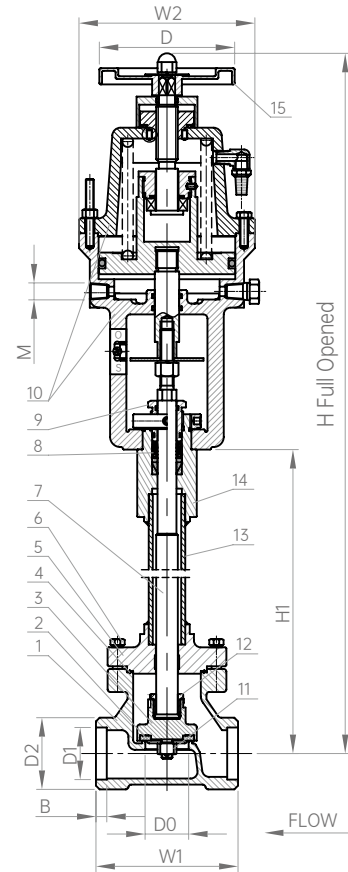
DN: Ø10 ~ Ø50

Design Temp.: -196°C ~ +75°C

Media: LNG, LO₂, LN₂, LAr, CO₂

Driving Pressure: 0.4 ~ 0.7MPa

Connection: Socket Weld



This kind of product has certified by CE, EAC, TS and CCS
Standards: GB/T 24918, EN1626:2008, TR CU 032/2013

Materials

1	Body	CF8	6	Screw	S30408	11	Hexagon Nut	S30408
2	Disc Sealing	PCTFE	7	Stem	S30408	12	Connecting Nut	S30408
3	Disc	S30408	8	V ring	PTFE	13	Connecting Pipe	S30408
4	Gasket	RPTFE	9	Gland Nut	S30408	14	Gland Packings	S30408
5	Bonnet	S30408	10	Cylinder Body & Cover	ZL104	15	Hand Wheel	Y102

Model No.	Specifications & Dimensions (mm)										Maximum Working Pressure (MPa)	Weight(kg)
	H	H1	D	D0	D1	D2	B	W1	W2	M		
DJQ-15B1	475	175	Ø100	Ø15	Ø18.5	Ø29.5	6	65	Ø130	Rc1/4	2.5	6.2
DJQ-20B1	479	179	Ø100	Ø20	Ø25.5	Ø36	8	80	Ø130	Rc1/4	2.5	6.4
DJQ-25B1	486	186	Ø100	Ø25	Ø32.5	Ø43.5	8	90	Ø130	Rc1/4	2.5	6.6
DJQ-32B1	500	200	Ø100	Ø32	Ø38.5	Ø53	8	105	Ø130	Rc1/4	2.5	7.9
DJQ-40B1	577	223	Ø125	Ø40	Ø45.5	Ø62	8	120	Ø160	Rc1/4	2.5	12.5
DJQ-50B1	587	233	Ø125	Ø50	Ø57.5	Ø72	10	140	Ø160	Rc1/4	2.5	14.1
DJQ-15Y1	475	175	Ø100	Ø15	Ø22.2	Ø29.5	6	65	Ø130	Rc1/4	2.5	6.2
DJQ-20Y1	479	179	Ø100	Ø20	Ø27.7	Ø36	8	80	Ø130	Rc1/4	2.5	6.4
DJQ-25Y1	486	186	Ø100	Ø25	Ø34.5	Ø43.5	8	90	Ø130	Rc1/4	2.5	6.6
DJQ-32Y1	500	200	Ø100	Ø32	Ø43.2	Ø53	8	105	Ø130	Rc1/4	2.5	7.9
DJQ-40Y1	577	223	Ø125	Ø40	Ø49	Ø62	8	120	Ø160	Rc1/4	2.5	12.5
DJQ-50Y1	587	233	Ø125	Ø50	Ø61.1	Ø72	10	140	Ø160	Rc1/4	2.5	14.1

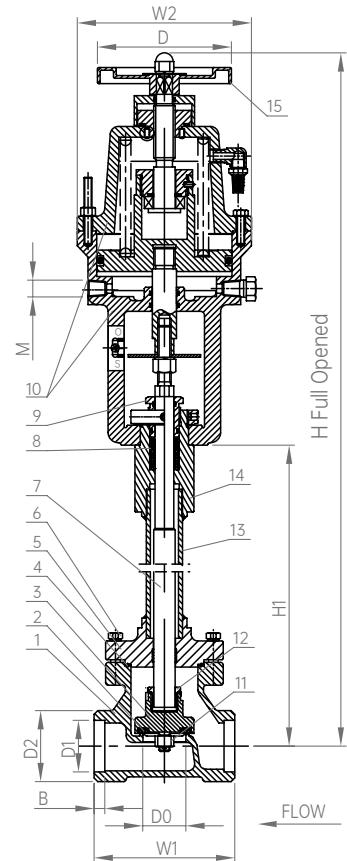
DJ661F-40P

Emergency Shut-off Valve

Parameters

PN: 4.0MPa
 DN: Ø10 ~ Ø50
 Design Temp.: -196°C ~ +75°C
 Media: LNG, LO₂, LN₂, LAr, CO₂
 Driving Pressure: 0.4 ~ 0.7MPa

Connection: Socket Weld



This kind of product has certified by CE, EAC, TS and CCS
 Standards: GB/T 24918, EN1626:2008, TR CU 032/2013

Materials

1	Body	CF8	6	Screw	S30408	11	Hexagon Nut	S30408
2	Disc Sealing	PCTFE	7	Stem	S30408	12	Connecting Nut	S30408
3	Disc	S30408	8	V ring	PTFE	13	Connecting Pipe	S30408
4	Gasket	RPTFE	9	Gland Nut	S30408	14	Gland Packings	S30408
5	Bonnet	S30408	10	Cylinder Body & Cover	ZL104	15	Hand Wheel	Y102

Model No.	Specifications & Dimensions (mm)										Maximum Working Pressure (MPa)	Weight(kg)
	H	H1	D	D0	D1	D2	B	W1	W2	M		
DJQ-15B2	475	175	Ø100	Ø15	Ø18.5	Ø29.5	6	65	Ø130	Rc1/4	2.5	6.2
DJQ-20B2	479	179	Ø100	Ø20	Ø25.5	Ø36	8	80	Ø130	Rc1/4	2.5	6.4
DJQ-25B2	486	186	Ø100	Ø25	Ø32.5	Ø43.5	8	90	Ø130	Rc1/4	2.5	6.6
DJQ-32B2	500	200	Ø100	Ø32	Ø38.5	Ø53	8	105	Ø130	Rc1/4	2.5	7.9
DJQ-40B2	577	223	Ø125	Ø40	Ø45.5	Ø62	8	120	Ø160	Rc1/4	2.5	12.5
DJQ-50B2	587	233	Ø125	Ø50	Ø57.5	Ø72	10	140	Ø160	Rc1/4	2.5	14.1
DJQ-15Y2	475	175	Ø100	Ø15	Ø22.2	Ø29.5	6	65	Ø130	Rc1/4	2.5	6.2
DJQ-20Y2	479	179	Ø100	Ø20	Ø27.7	Ø36	8	80	Ø130	Rc1/4	2.5	6.4
DJQ-25Y2	486	186	Ø100	Ø25	Ø34.5	Ø43.5	8	90	Ø130	Rc1/4	2.5	6.6
DJQ-32Y2	500	200	Ø100	Ø32	Ø43.2	Ø53	8	105	Ø130	Rc1/4	2.5	7.9
DJQ-40Y2	577	223	Ø125	Ø40	Ø49	Ø62	8	120	Ø160	Rc1/4	2.5	12.5
DJQ-50Y2	587	233	Ø125	Ø50	Ø61.1	Ø72	10	140	Ø160	Rc1/4	2.5	14.1



DJ661F-16P

Emergency Shut-off Valve

Parameters

PN: 1.6MPa

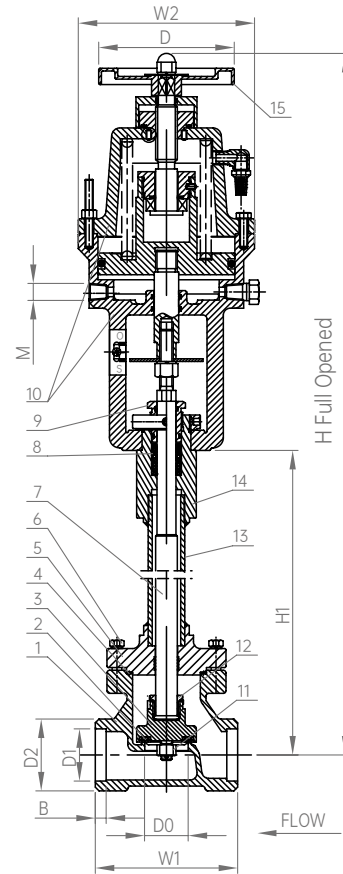
DN: Ø10 ~ Ø50

Design Temp.: -196°C ~ +75°C

Media: LNG, LO₂, LN₂, LAr, CO₂

Driving Pressure: 0.4 ~ 0.7MPa

Connection: Butt Weld



This kind of product has certified by CE, EAC, TS and CCS
Standards: GB/T 24918, EN1626:2008, TR CU 032/2013

Materials

1	Body	CF8	6	Screw	S30408	11	Hexagon Nut	S30408
2	Disc Sealing	PCTFE	7	Stem	S30408	12	Connecting Nut	S30408
3	Disc	S30408	8	V ring	PTFE	13	Connecting Pipe	S30408
4	Gasket	RPTFE	9	Gland Nut	S30408	14	Gland Packings	S30408
5	Bonnet	S30408	10	Cylinder Body & Cover	ZL104	15	Hand Wheel	Y102

Model No.	Specifications & Dimensions (mm)										Maximum Working Pressure (MPa)	Weight(kg)
	H	H1	D	D0	D1	D2	B	W1	W2	M		
DJQ-15A	475	175	Ø100	Ø15	Ø17.08	Ø21.3	5	65	Ø130	Rc1/4	1.6	
DJQ-20A	479	179	Ø100	Ø20	Ø22.48	Ø26.7	5	80	Ø130	Rc1/4	1.6	
DJQ-25A	486	186	Ø100	Ø25	Ø27.9	Ø33.4	5	90	Ø130	Rc1/4	1.6	
DJQ-32A	500	200	Ø100	Ø32	Ø36	Ø42.2	5	105	Ø130	Rc1/4	1.6	
DJQ-40A	577	223	Ø125	Ø40	Ø43	Ø48.3	5	120	Ø160	Rc1/4	1.6	
DJQ-50A	587	233	Ø125	Ø50	Ø55	Ø60.3	5	140	Ø160	Rc1/4	1.6	
DJQ-15K	475	175	Ø100	Ø15	Ø14	Ø18	5	65	Ø130	Rc1/4	1.6	
DJQ-20K	479	179	Ø100	Ø20	Ø20	Ø25	5	80	Ø130	Rc1/4	1.6	
DJQ-25K	486	186	Ø100	Ø25	Ø27	Ø32	5	90	Ø130	Rc1/4	1.6	
DJQ-32K	500	200	Ø100	Ø32	Ø32	Ø38	5	105	Ø130	Rc1/4	1.6	
DJQ-40K	577	223	Ø125	Ø40	Ø39	Ø45	5	120	Ø160	Rc1/4	1.6	
DJQ-50K	587	233	Ø125	Ø50	Ø51	Ø57	5	140	Ø160	Rc1/4	1.6	

DJ661F-25P

Emergency Shut-off Valve

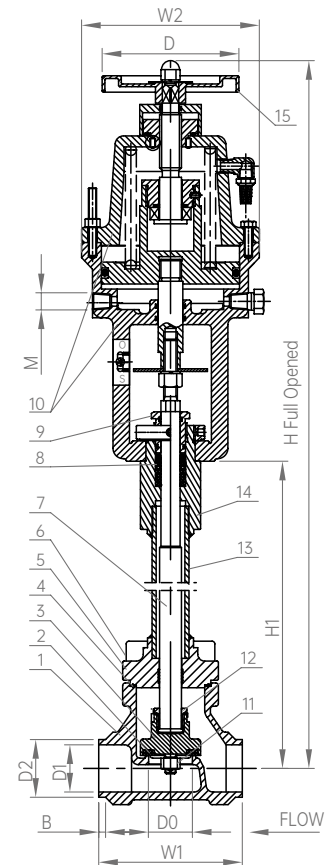
Parameters

PN: 2.5MPa
 DN: Ø10 ~ Ø50
 Design Temp.: -196°C ~ +75°C
 Media: LNG, LO₂, LN₂, LAr, CO₂
 Driving Pressure: 0.4 ~ 0.7MPa

Connection: Butt Weld



This kind of product has certified by CE, EAC, TS and CCS
 Standards: GB/T 24918, EN1626:2008, TR CU 032/2013



Materials

1	Body	CF8	6	Screw	S30408	11	Hexagon Nut	S30408
2	Disc Sealing	PCTFE	7	Stem	S30408	12	Connecting Nut	S30408
3	Disc	S30408	8	V ring	PTFE	13	Connecting Pipe	S30408
4	Gasket	RPTFE	9	Gland Nut	S30408	14	Gland Packings	S30408
5	Bonnet	S30408	10	Cylinder Body & Cover	ZL104	15	Hand Wheel	Y102

Model No.	Specifications & Dimensions (mm)										Maximum Working Pressure (MPa)	Weight(kg)
	H	H1	D	D0	D1	D2	B	W1	W2	M		
DJQ-15A1	475	175	Ø100	Ø15	Ø17.08	Ø21.3	5	65	Ø130	Rc1/4	2.5	
DJQ-20A1	479	179	Ø100	Ø20	Ø22.48	Ø26.7	5	80	Ø130	Rc1/4	2.5	
DJQ-25A1	486	186	Ø100	Ø25	Ø27.9	Ø33.4	5	90	Ø130	Rc1/4	2.5	
DJQ-32A1	500	200	Ø100	Ø32	Ø36	Ø42.2	5	105	Ø130	Rc1/4	2.5	
DJQ-40A1	577	223	Ø125	Ø40	Ø43	Ø48.3	5	120	Ø160	Rc1/4	2.5	
DJQ-50A1	587	233	Ø125	Ø50	Ø55	Ø60.3	5	140	Ø160	Rc1/4	2.5	
DJQ-15K1	475	175	Ø100	Ø15	Ø14	Ø18	5	65	Ø130	Rc1/4	2.5	
DJQ-20K1	479	179	Ø100	Ø20	Ø20	Ø25	5	80	Ø130	Rc1/4	2.5	
DJQ-25K1	486	186	Ø100	Ø25	Ø27	Ø32	5	90	Ø130	Rc1/4	2.5	
DJQ-32K1	500	200	Ø100	Ø32	Ø32	Ø38	5	105	Ø130	Rc1/4	2.5	
DJQ-40K1	577	223	Ø125	Ø40	Ø39	Ø45	5	120	Ø160	Rc1/4	2.5	
DJQ-50K1	587	233	Ø125	Ø50	Ø51	Ø57	5	140	Ø160	Rc1/4	2.5	



DJ661F-40P

Emergency Shut-off Valve

Parameters

PN: 4.0MPa

DN: Ø10 ~ Ø50

Design Temp.: -196°C ~ +75°C

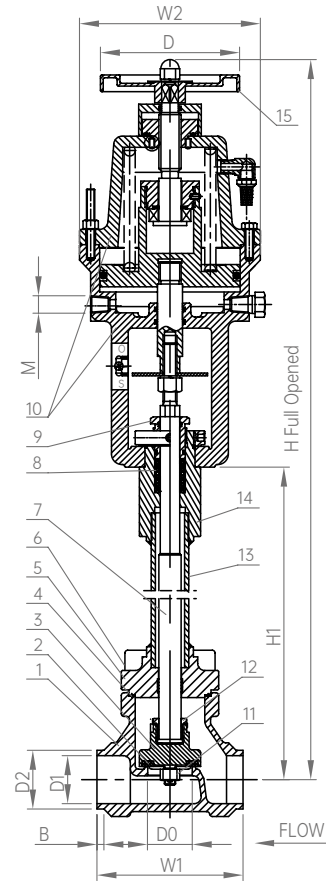
Media: LNG, LO₂, LN₂, LAr, CO₂

Driving Pressure: 0.4 ~ 0.7MPa

Connection: Butt Weld



This kind of product has certified by CE, EAC, TS and CCS
Standards: GB/T 24918, EN1626:2008, TR CU 032/2013



Materials

1	Body	CF8	6	Screw	S30408	11	Hexagon Nut	S30408
2	Disc Sealing	PCTFE	7	Stem	S30408	12	Connecting Nut	S30408
3	Disc	S30408	8	V ring	PTFE	13	Connecting Pipe	S30408
4	Gasket	RPTFE	9	Gland Nut	S30408	14	Gland Packings	S30408
5	Bonnet	S30408	10	Cylinder Body & Cover	ZL104	15	Hand Wheel	Y102

Model No.	Specifications & Dimensions (mm)										Maximum Working Pressure (MPa)	Weight(kg)
	H	H1	D	D0	D1	D2	B	W1	W2	M		
DJQ-15A2	475	175	Ø100	Ø15	Ø17.08	Ø21.3	5	65	Ø130	Rc1/4	2.5	
DJQ-20A2	479	179	Ø100	Ø20	Ø22.48	Ø26.7	5	80	Ø130	Rc1/4	2.5	
DJQ-25A2	486	186	Ø100	Ø25	Ø27.9	Ø33.4	5	90	Ø130	Rc1/4	2.5	
DJQ-32A2	500	200	Ø100	Ø32	Ø36	Ø42.2	5	105	Ø130	Rc1/4	2.5	
DJQ-40A2	577	223	Ø125	Ø40	Ø43	Ø48.3	5	120	Ø160	Rc1/4	2.5	
DJQ-50A2	587	233	Ø125	Ø50	Ø55	Ø60.3	5	140	Ø160	Rc1/4	2.5	
DJQ-15K2	475	175	Ø100	Ø15	Ø14	Ø18	5	65	Ø130	Rc1/4	2.5	
DJQ-20K2	479	179	Ø100	Ø20	Ø20	Ø25	5	80	Ø130	Rc1/4	2.5	
DJQ-25K2	486	186	Ø100	Ø25	Ø27	Ø32	5	90	Ø130	Rc1/4	2.5	
DJQ-32K2	500	200	Ø100	Ø32	Ø32	Ø38	5	105	Ø130	Rc1/4	2.5	
DJQ-40K2	577	223	Ø125	Ø40	Ø39	Ø45	5	120	Ø160	Rc1/4	2.5	
DJQ-50K2	587	233	Ø125	Ø50	Ø51	Ø57	5	140	Ø160	Rc1/4	2.5	

DJ661F-40P

Emergency Shut-off Valve

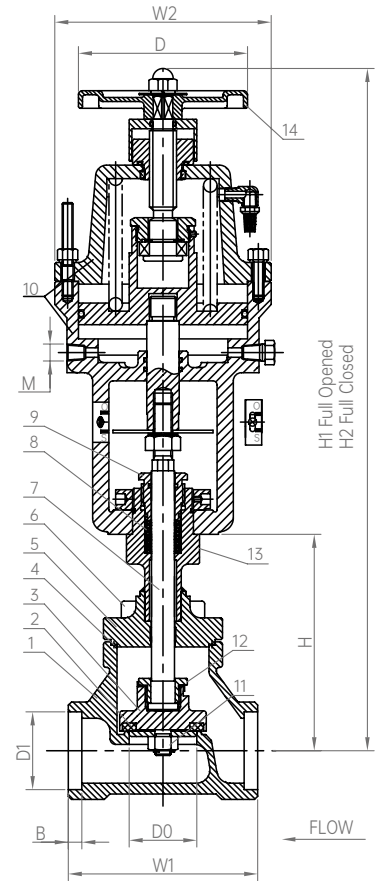
Parameters

PN: 4.0MPa
 DN: Ø10 ~ Ø50
 Design Temp.: -196°C ~ +75°C
 Media: LNG, LO₂, LN₂, LAr, CO₂
 Driving Pressure: 0.4 ~ 0.7MPa

Connection: Socket Weld



This kind of product has certified by CE, EAC, TS and CCS
 Standards: GB/T 24918, EN1626:2008, TR CU 032/2013



Materials

1	Body	CF8	6	Screw	S30408	11	Hexagon Nut	S30408
2	Disc Sealing	PCTFE	7	Stem	S30408	12	Connecting Nut	S30408
3	Disc	S30408	8	V ring	PTFE	13	Gland Packings	S30408
4	Gasket	RPTFE	9	Gland Nut	S30408	14	Hand Wheel	Y102
5	Bonnet	S30408	10	Cylinder Body & Cover	ZL104			

Model No.	Specifications & Dimensions (mm)										Maximum Working Pressure (MPa)	Weight(kg)
	H	H1	D	D0	D1	D2	B	W1	W2	M		
DJQ-32D2	170	470	460	Ø32	Ø38.5	Ø100	8	105	Ø130	Rc1/4	2.5	
DJQ-40D2	150	504	490	Ø40	Ø45.5	Ø120	8	120	Ø160	Rc1/4	2.5	
DJQ-50D2	160	514	500	Ø50	Ø57.5	Ø125	10	140	Ø160	Rc1/4	2.5	
DJQ-32DY2	170	470	460	Ø32	Ø43.2	Ø100	8	105	Ø130	Rc1/4	2.5	
DJQ-40DY2	150	504	490	Ø40	Ø49	Ø120	8	120	Ø160	Rc1/4	2.5	
DJQ-50DY2	160	514	500	Ø50	Ø61.1	Ø125	10	140	Ø160	Rc1/4	2.5	



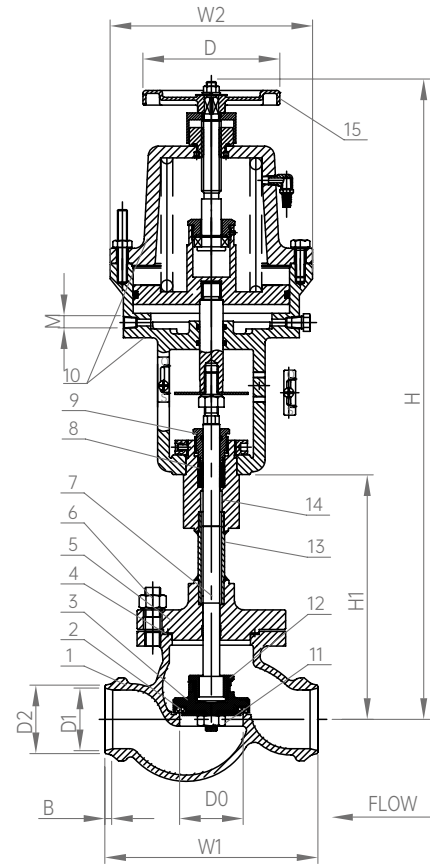
DJ661F-16P

Emergency Shut-off Valve

Parameters

PN: 1.6MPa
DN: Ø65 ~ Ø100
Design Temp.: -196°C ~ +75°C
Media: LNG, LO₂, LN₂, LAr, CO₂
Driving Pressure: 0.4 ~ 0.7MPa

Connection: Butt Weld



This kind of product has certified by CE, EAC, TS and CCS
Standards: GB/T 24918, EN1626:2008, TR CU 032/2013

Materials

1	Body	CF8	6	Screw	S30408	11	Hexagon Nut	S30408
2	Disc Sealing	PCTFE	7	Stem	S30408	12	Connecting Nut	S30408
3	Disc	S30408	8	V ring	PTFE	13	Connecting Pipe	S30408
4	Gasket	RPTFE	9	Gland Nut	S30408	14	Gland Packings	S30408
5	Bonnet	S30408	10	Cylinder Body & Cover	ZL104	15	Hand Wheel	Y102

Model No.	Specifications & Dimensions (mm)										Maximum Working Pressure (MPa)	Weight(kg)
	H	H1	D	D0	D1	D2	B	W1	W2	M		
DJQ-65	673	250	Ø65	Ø70	Ø76	Ø140	7	216	207	Rc1/4	1.6	24.5
DJQ-80	798	319	Ø80	Ø81	Ø89	Ø200	8	241	250	Rc1/4	1.6	39.5
DJQ-100	798	319	Ø100	Ø100	Ø108	Ø200	9	292	250	Rc1/4	1.6	47.1

DJ661F-25P

Emergency Shut-off Valve

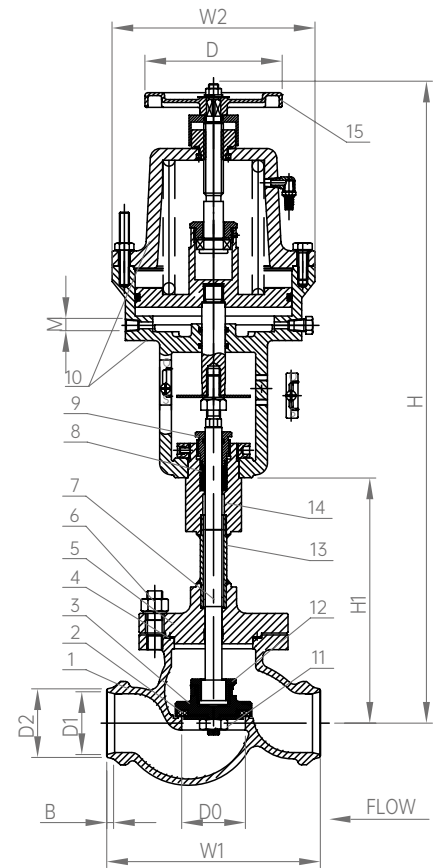
Parameters

PN: 2.5MPa
 DN: Ø65 ~ Ø100
 Design Temp.: -196°C ~ +75°C
 Media: LNG, LO₂, LN₂, LAr, CO₂
 Driving Pressure: 0.4 ~ 0.7MPa

Connection: Butt Weld



This kind of product has certified by CE, EAC, TS and CCS
 Standards: GB/T 24918, EN1626:2008, TR CU 032/2013



Materials

1	Body	CF8	6	Screw	S30408	11	Hexagon Nut	S30408
2	Disc Sealing	PCTFE	7	Stem	S30408	12	Connecting Nut	S30408
3	Disc	S30408	8	V ring	PTFE	13	Connecting Pipe	S30408
4	Gasket	RPTFE	9	Gland Nut	S30408	14	Gland Packings	S30408
5	Bonnet	S30408	10	Cylinder Body & Cover	ZL104	15	Hand Wheel	Y102

Model No.	Specifications & Dimensions (mm)										Maximum Working Pressure (MPa)	Weight(kg)
	H	H1	D	D0	D1	D2	B	W1	W2	M		
DJQ-65B1	673	250	Ø65	Ø70	Ø76	Ø140	7	216	207	Rc1/4	2.5	24.5
DJQ-80B1	798	319	Ø80	Ø81	Ø89	Ø200	8	241	250	Rc1/4	2	39.5
DJQ-100B1	798	319	Ø100	Ø100	Ø108	Ø200	9	292	250	Rc1/4	1.6	47.1



DJ661F-40P

Emergency Shut-off Valve

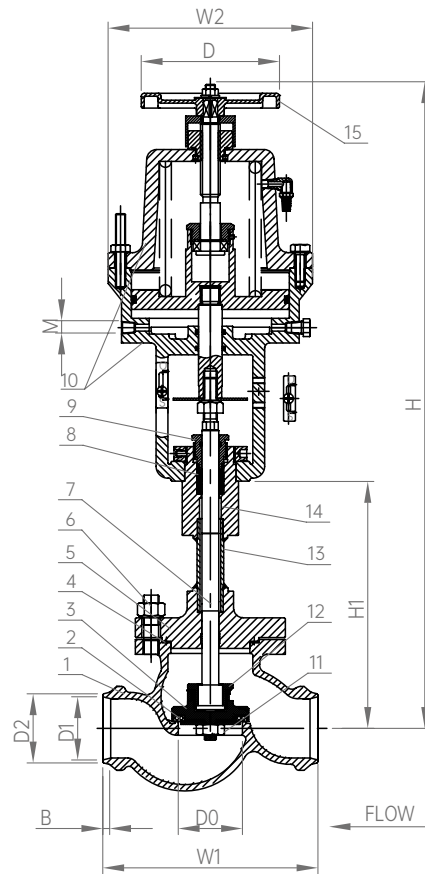
Parameters

PN: 4.0MPa
DN: Ø65 ~ Ø100
Design Temp.: -196°C ~ +75°C
Media: LNG, LO₂, LN₂, LAr, CO₂
Driving Pressure: 0.4 ~ 0.7MPa

Connection: Butt Weld



This kind of product has certified by CE, EAC, TS and CCS
Standards: GB/T 24918, EN1626:2008, TR CU 032/2013



Materials

1	Body	CF8	6	Screw	S30408	11	Hexagon Nut	S30408
2	Disc Sealing	PCTFE	7	Stem	S30408	12	Connecting Nut	S30408
3	Disc	S30408	8	V ring	PTFE	13	Connecting Pipe	S30408
4	Gasket	RPTFE	9	Gland Nut	S30408	14	Gland Packings	S30408
5	Bonnet	S30408	10	Cylinder Body & Cover	ZL104	15	Hand Wheel	Y102

Model No.	Specifications & Dimensions (mm)										Maximum Working Pressure (MPa)	Weight(kg)
	H	H1	D	D0	D1	D2	B	W1	W2	M		
DJQ-65B2	673	250	Ø65	Ø70	Ø76	Ø140	7	216	207	Rc1/4	2.5	25
DJQ-80B2	798	319	Ø80	Ø81	Ø89	Ø200	8	241	250	Rc1/4	2	39.5
DJQ-100B2	798	319	Ø100	Ø100	Ø108	Ø200	9	292	250	Rc1/4	1.6	47.1

DJ661F-16P

Emergency Shut-off Valve

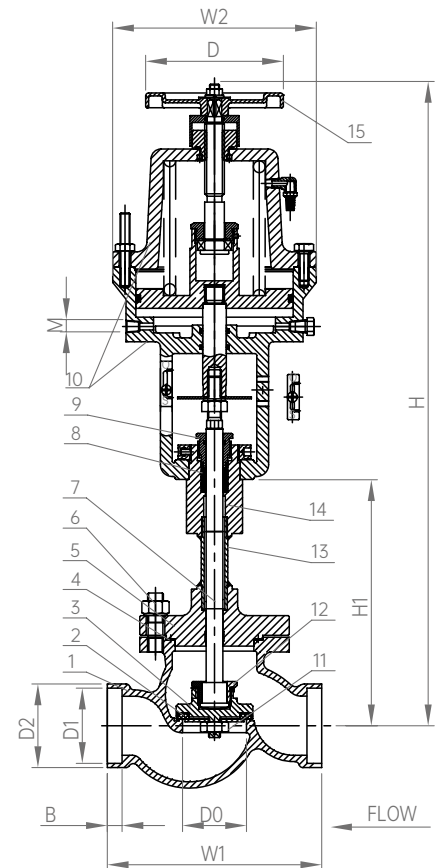
Parameters

PN: 1.6MPa
DN: Ø65 ~ Ø100
Design Temp.: -196°C ~ +75°C
Media: LNG, LO₂, LN₂, LAr, CO₂
Driving Pressure: 0.4 ~ 0.7MPa

Connection: Socket Weld



This kind of product has certified by CE, EAC, TS and CCS
Standards: GB/T 24918, EN1626:2008, TR CU 032/2013



Materials

1	Body	CF8	6	Screw	S30408	11	Hexagon Nut	S30408
2	Disc Sealing	PCTFE	7	Stem	S30408	12	Connecting Nut	S30408
3	Disc	S30408	8	V ring	PTFE	13	Connecting Pipe	S30408
4	Gasket	RPTFE	9	Gland Nut	S30408	14	Gland Packings	S30408
5	Bonnet	S30408	10	Cylinder Body & Cover	ZL104	15	Hand Wheel	Y102

Model No.	Specifications & Dimensions (mm)										Maximum Working Pressure (MPa)	Weight(kg)
	H	H1	D	D0	D1	D2	B	W1	W2	M		
DJQ-65C	673	250	Ø65	Ø76.5	Ø85	Ø140	7	216	207	Rc1/4	1.6	24.4
DJQ-80C	798	319	Ø80	Ø89.5	Ø103	Ø200	8	241	250	Rc1/4	1.6	39.5
DJQ-100C	798	319	Ø100	Ø109	Ø120	Ø200	9	292	250	Rc1/4	1.6	47.1

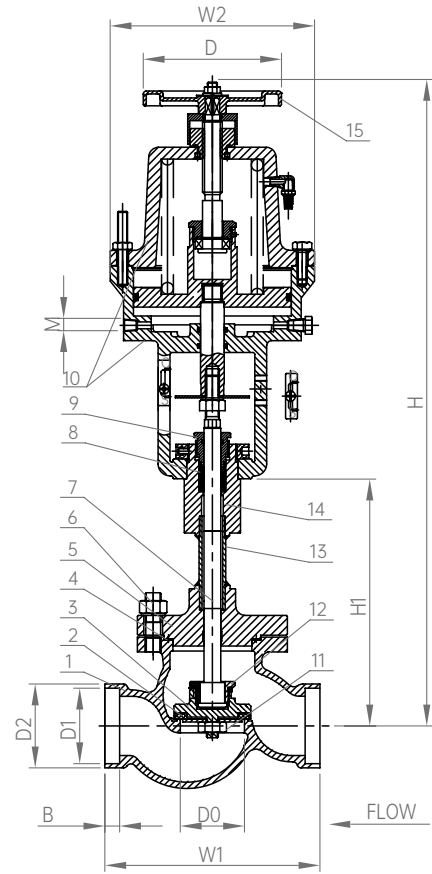


DJ661F-25P

Emergency Shut-off Valve

Parameters

PN: 2.5MPa
 DN: Ø65 ~ Ø100
 Design Temp.: -196°C ~ +75°C
 Media: LNG, LO₂, LN₂, LAr, CO₂
 Driving Pressure: 0.4 ~ 0.7MPa
 Connection: Socket Weld



This kind of product has certified by CE, EAC, TS and CCS
 Standards: GB/T 24918, EN1626:2008, TR CU 032/2013

Materials

1	Body	CF8	6	Screw	S30408	11	Hexagon Nut	S30408
2	Disc Sealing	PCTFE	7	Stem	S30408	12	Connecting Nut	S30408
3	Disc	S30408	8	V ring	PTFE	13	Connecting Pipe	S30408
4	Gasket	RPTFE	9	Gland Nut	S30408	14	Gland Packings	S30408
5	Bonnet	S30408	10	Cylinder Body & Cover	ZL104	15	Hand Wheel	Y102

Model No.	Specifications & Dimensions (mm)										Maximum Working Pressure (MPa)	Weight(kg)
	H	H1	D	D0	D1	D2	B	W1	W2	M		
DJQ-65C1	673	250	Ø65	Ø76.5	Ø85	Ø140	7	216	207	Rc1/4	2.5	25
DJQ-80C1	798	319	Ø80	Ø89.5	Ø103	Ø200	8	241	250	Rc1/4	2.0	39.5
DJQ-100C1	798	319	Ø100	Ø109	Ø120	Ø200	9	292	250	Rc1/4	1.6	47.1

DJ661F-40P

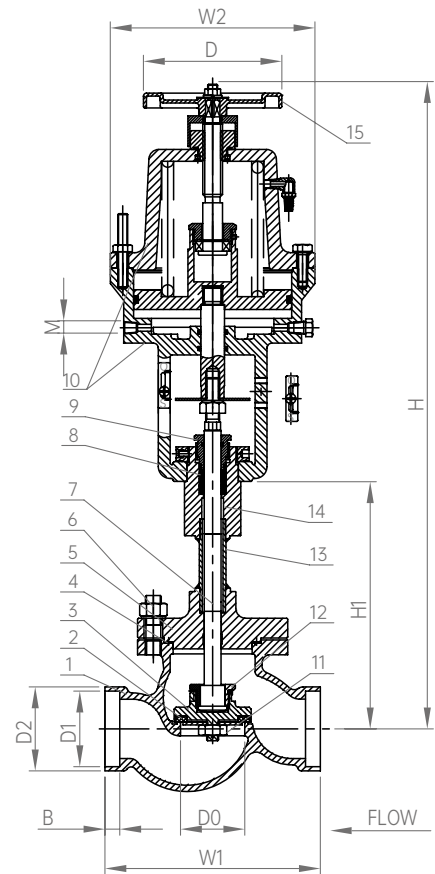
Emergency Shut-off Valve

Parameters

PN: 4.0MPa
 DN: Ø65 ~ Ø100
 Design Temp.: -196°C ~ +75°C
 Media: LNG, LO₂, LN₂, LAr, CO₂
 Driving Pressure: 0.4 ~ 0.7MPa
 Connection: Socket Weld



This kind of product has certified by CE, EAC, TS and CCS
 Standards: GB/T 24918, EN1626:2008, TR CU 032/2013



Materials

1	Body	CF8	6	Screw	S30408	11	Hexagon Nut	S30408
2	Disc Sealing	PCTFE	7	Stem	S30408	12	Connecting Nut	S30408
3	Disc	S30408	8	V ring	PTFE	13	Connecting Pipe	S30408
4	Gasket	RPTFE	9	Gland Nut	S30408	14	Gland Packings	S30408
5	Bonnet	S30408	10	Cylinder Body & Cover	ZL104	15	Hand Wheel	Y102

Model No.	Specifications & Dimensions (mm)										Maximum Working Pressure (MPa)	Weight(kg)
	H	H1	D	D0	D1	D2	B	W1	W2	M		
DJQ-65C2	673	250	Ø65	Ø76.5	Ø85	Ø140	7	216	207	Rc1/4	2.5	25
DJQ-80C2	798	319	Ø80	Ø89.5	Ø103	Ø200	8	241	250	Rc1/4	2.0	39.5
DJQ-100C2	798	319	Ø100	Ø109	Ø120	Ø200	9	292	250	Rc1/4	1.6	47.1



DJ661F-40P

Emergency Shut-off Valve

Parameters

PN: 4.0MPa

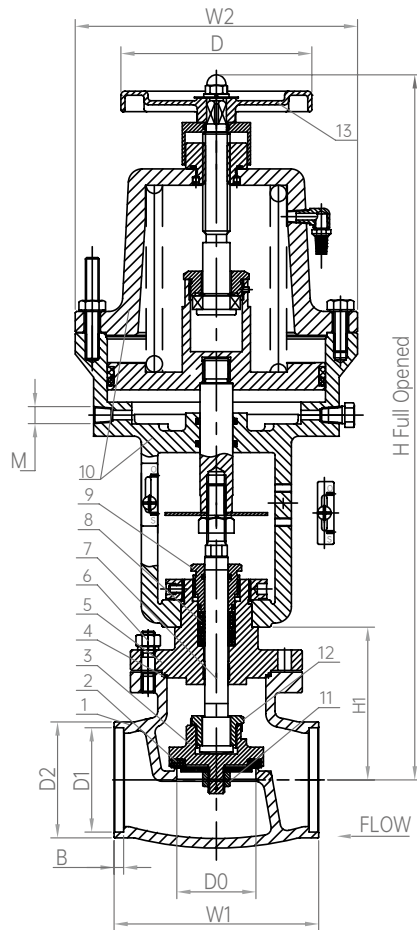
DN: Ø65

Design Temp.: -50°C ~+75°C

Media: CO₂

Driving Pressure: 0.4 ~ 0.7MPa

Connection: Socket Weld



This kind of product has certified by CE, EAC, TS and CCS
Standards: GB/T 24918, EN1626:2008, TR CU 032/2013

Materials

1	Body	CF8	6	Nut	S30408	11	Hexagon Nut	S30408
2	Disc Sealing	PCTFE	7	Stem	S30408	12	Connecting Nut	S30408
3	Disc	S30408	8	V ring	PTFE	13	Hand Wheel	Y102
4	Gasket	RPTFE	9	Gland Nut	S30408			
5	Bonnet	S30408	10	Cylinder Body & Cover	ZL104			

Model No.	Specifications & Dimensions (mm)										Maximum Working Pressure (MPa)	Weight(kg)
	H	H1	D	D0	D1	D2	B	W1	W2	M		
DJQ-65D	517	112	Ø140	Ø58	Ø76.5	Ø85	7	150	Ø207	Rc1/4	4	

DJ641F-40P

Emergency Shut-off Valve

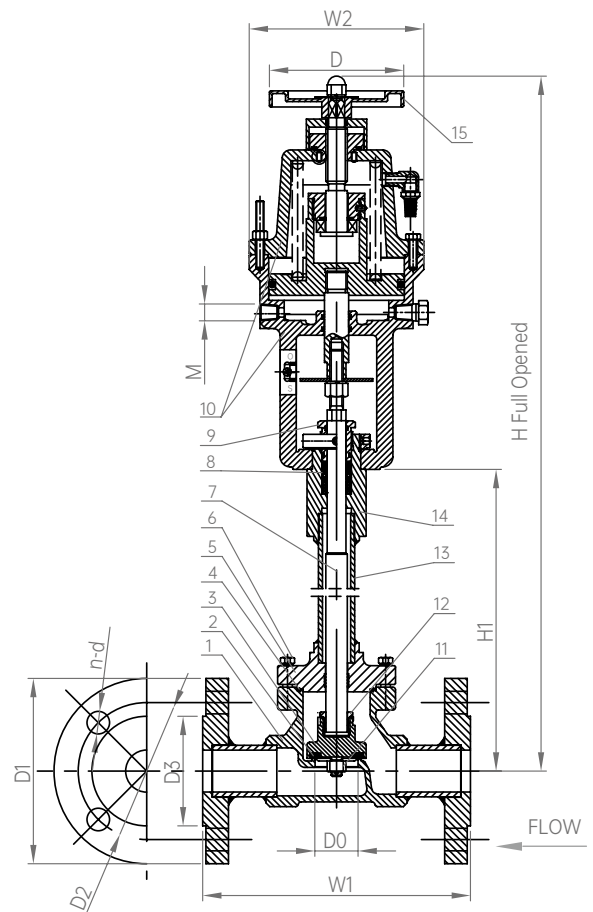
Parameters

PN: 4.0MPa
DN: Ø10 ~ Ø50
Design Temp.: -196°C ~ +75°C
Media: LNG, LO₂, LN₂, LAr, CO₂
Driving Pressure: 0.4 ~ 0.7MPa

Connection: Flanged Connection with PN 40 and Class 150



This kind of product has certified by CE, EAC, TS and CCS
Standards: GB/T 24918, EN1626:2008, TR CU 032/2013



Materials

1	Body	CF8	6	Screw	S30408	11	Hexagon Nut	S30408
2	Disc Sealing	PCTFE	7	Stem	S30408	12	Connecting Nut	S30408
3	Disc	S30408	8	V ring	PTFE	13	Connecting Pipe	S30408
4	Gasket	RPTFE	9	Gland Nut	S30408	14	Gland Packings	S30408
5	Bonnet	S30408	10	Cylinder Body & Cover	ZL104	15	Hand Wheel	Y102

Model No.	Specifications & Dimensions (mm)											Maximum Working Pressure (MPa)	Weight(kg)
	H	H1	D	D0	D1	D2	D3	n-d	W1	W2	M		
DJQ-15F	475	175	Ø100	Ø15	Ø95	Ø65	Ø45	4-Ø14	129	Ø130	Rc1/4	1.6	8.5
DJQ-20F	479	179	Ø100	Ø20	Ø105	Ø75	Ø58	4-Ø14	154	Ø130	Rc1/4	1.6	
DJQ-25F	486	186	Ø100	Ø25	Ø115	Ø85	Ø68	4-Ø14	166	Ø130	Rc1/4	1.6	
DJQ-32F	500	200	Ø100	Ø32	Ø140	Ø100	Ø78	4-Ø18	185	Ø130	Rc1/4	1.6	
DJQ-40F	577	223	Ø125	Ø40	Ø150	Ø110	Ø88	4-Ø18	214	Ø160	Rc1/4	1.6	
DJQ-50F	587	233	Ø125	Ø50	Ø165	Ø125	Ø102	4-Ø18	240	Ø160	Rc1/4	1.6	8.5
DJQ-15FY	475	175	Ø100	Ø15	Ø90	Ø60.3	Ø34.9	4-Ø16	65	Ø130	Rc1/4	1.6	
DJQ-20FY	479	179	Ø100	Ø20	Ø100	Ø69.9	Ø42.9	4-Ø16	80	Ø130	Rc1/4	1.6	
DJQ-25FY	486	186	Ø100	Ø25	Ø110	Ø79.4	Ø50.8	4-Ø16	90	Ø130	Rc1/4	1.6	
DJQ-32FY	500	200	Ø100	Ø32	Ø115	Ø88.9	Ø63.5	4-Ø16	105	Ø130	Rc1/4	1.6	
DJQ-40FY	577	223	Ø125	Ø40	Ø125	Ø98.4	Ø73	4-Ø16	120	Ø160	Rc1/4	1.6	8.5
DJQ-50FY	587	233	Ø125	Ø50	Ø150	Ø127.7	Ø92.1	4-Ø18	140	Ø160	Rc1/4	1.6	



DJ641F-25P

Emergency Shut-off Valve

Parameters

PN: 2.5MPa

DN: Ø65 ~ Ø100

Design Temp.: -196°C ~ +75°C

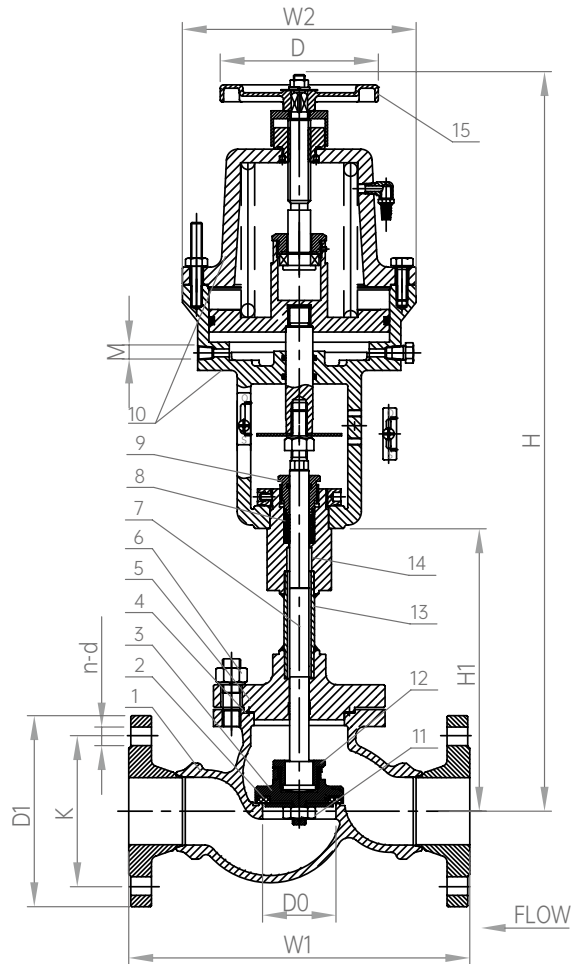
Media: LNG, LO₂, LN₂, LAr, CO₂

Driving Pressure: 0.4 ~ 0.7MPa

Connection: Flanged connection with PN 25



This kind of product has certified by CE, EAC, TS and CCS
Standards: GB/T 24918, EN1626:2008, TR CU 032/2013



Materials

1	Body	CF8	6	Screw	S30408	11	Hexagon Nut	S30408
2	Disc Sealing	PCTFE	7	Stem	S30408	12	Connecting Nut	S30408
3	Disc	S30408	8	V ring	PTFE	13	Connecting Pipe	S30408
4	Gasket	RPTFE	9	Gland Nut	S30408	14	Gland Packings	S30408
5	Bonnet	S30408	10	Cylinder Body & Cover	ZL104	15	Hand Wheel	Y102

Model No.	Specifications & Dimensions (mm)										Maximum Working Pressure (MPa)	Weight(kg)
	H	H1	D	D0	D1	K	n-d	W1	W2	M		
DJQ-65F1	673	250	Ø140	Ø65	Ø185	Ø145	8-Ø18	308	207	Rc1/4	2.5	
DJQ-80F1	798	319	Ø200	Ø80	Ø200	Ø160	8-Ø18	345	250	Rc1/4	2.0	
DJQ-100F1	798	319	Ø200	Ø100	Ø235	Ø190	8-Ø22	410	250	Rc1/4	1.6	

DJ641F-40P

Emergency Shut-off Valve

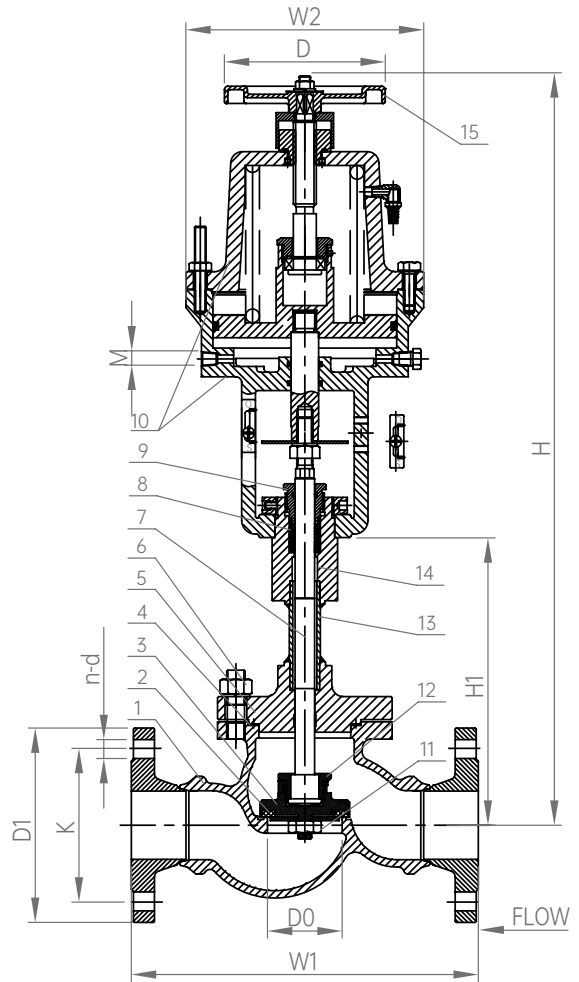
Parameters

PN: 4.0MPa
 DN: Ø65 ~ Ø100
 Design Temp.: -196°C ~ +75°C
 Media: LNG, LO₂, LN₂, LAr, CO₂
 Driving Pressure: 0.4 ~ 0.7MPa

Connection: Flanged connection with PN 40



This kind of product has certified by CE, EAC, TS and CCS
 Standards: GB/T 24918, EN1626:2008, TR CU 032/2013



Materials

1	Body	CF8	6	Screw	S30408	11	Hexagon Nut	S30408
2	Disc Sealing	PCTFE	7	Stem	S30408	12	Connecting Nut	S30408
3	Disc	S30408	8	V ring	PTFE	13	Connecting Pipe	S30408
4	Gasket	RPTFE	9	Gland Nut	S30408	14	Gland Packings	S30408
5	Bonnet	S30408	10	Cylinder Body & Cover	ZL104	15	Hand Wheel	Y102

Model No.	Specifications & Dimensions (mm)										Maximum Working Pressure (MPa)	Weight(kg)
	H	H1	D	D0	D1	K	n-d	W1	W2	M		
DJQ-65F2	673	250	Ø140	Ø65	Ø185	Ø145	8-Ø18	308	207	Rc1/4	2.5	
DJQ-80F2	798	319	Ø200	Ø80	Ø200	Ø160	8-Ø18	345	250	Rc1/4	2	
DJQ-100F2	798	319	Ø200	Ø100	Ø235	Ø190	8-Ø22	410	250	Rc1/4	1.6	



DJ661F-40P

Emergency Shut-off Valve

Parameters

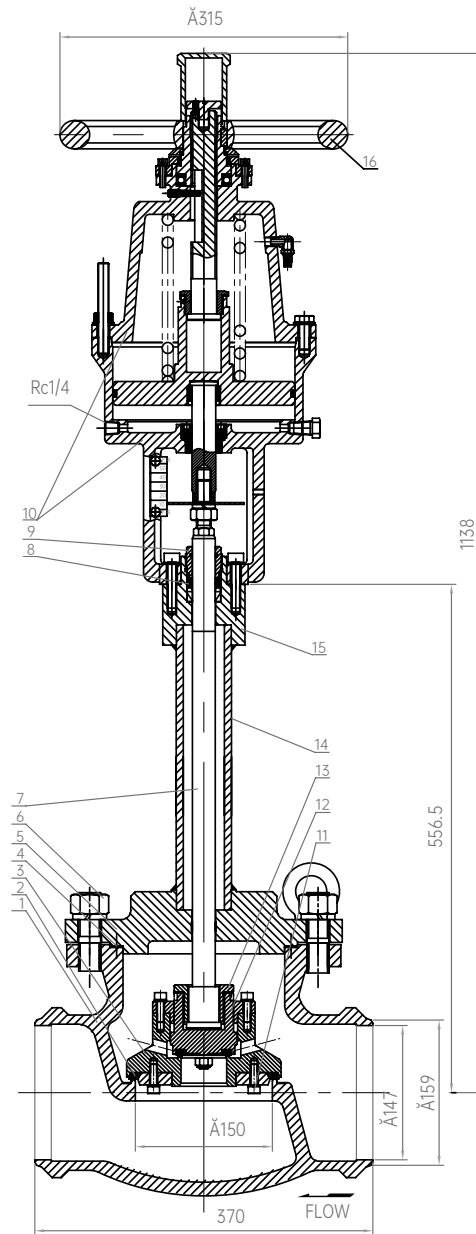
PN: 4.0MPa
DN: Ø150
Design Temp.: -196°C ~+75°C
Media: LNG, LO₂, LN₂, LAr, CO₂
Driving Pressure: 0.4 ~ 0.7MPa

Connection: Butt Weld



This kind of product has certified by CE, EAC, TS and CCS
Standards: GB/T 24918, EN1626:2008, TR CU 032/2013

Model No.DJQ-150



Materials

1	Body	CF8	7	Stem	S30408	13	Connecting Nut	S30408
2	Disc Sealing	PCTFE	8	V ring	PTFE	14	Connecting Pipe	S30408
3	Disc	S30408	9	Gland Nut	S30408	15	Gland Packings	S30408
4	Gasket	RPTFE	10	Cylinder Body & Cover	ZL104	16	Hand Wheel	Y102
5	Bonnet	S30408	11	Screw	S30408			
6	Screw	S30408	12	Pilot Disc	S30408			

DJ661F-40P

Emergency Shut-off Valve

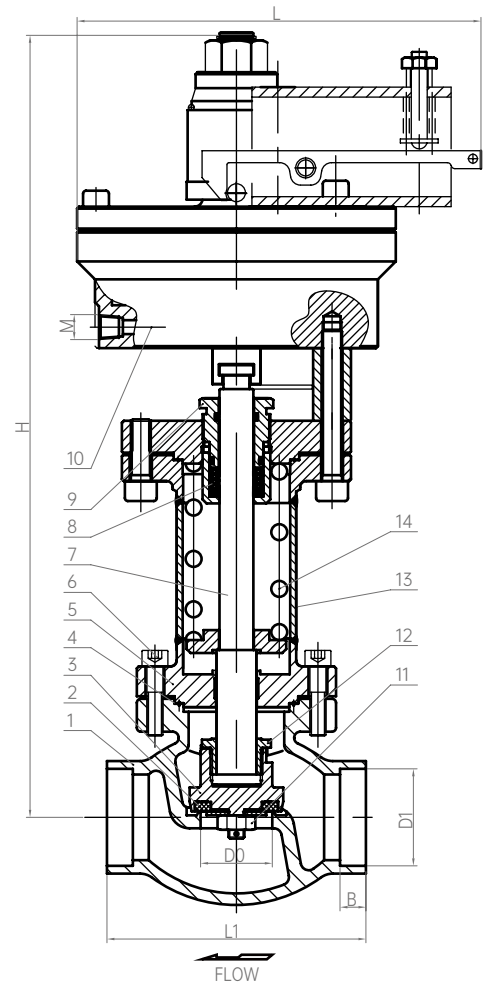
Parameters

PN: 4.0MPa
 DN: Ø25 ~ Ø50
 Design Temp.: -196°C ~ +75°C
 Media: LNG, LO₂, LN₂, LAr, CO₂
 Driving Pressure: 0.4 ~ 0.7MPa

Connection: Socket Weld



This kind of product has certified by CE, EAC, TS and CCS
 Standards: GB/T 24918, EN1626:2008, TR CU 032/2013



Materials

1	Body	CF3M	6	Screw	S31603	11	Hexagon Nut	S30408
2	Disc Sealing	PCTFE	7	Stem	S31603	12	Connecting Nut	S30408
3	Disc	HPb59-1	8	V ring	PTFE	13	Connecting Pipe	S31603
4	Gasket	RPTFE	9	Gland Nut	S31603	14	Spring	S30210
5	Bonnet	S31603	10	Cylinder Body	6061(T6)			

Model No.	Specifications & Dimensions (mm)							Weight(kg)
	H	L	L1	D0	D1	B	M	
DJQ-25E	395	203	155	Ø45	Ø57.5	16	Rc1/4	
DJQ-40E	393	203	130	Ø36	Ø45.5	13	Rc1/4	
DJQ-50E	425	203	115	Ø25	Ø32.5	13	Rc1/4	



DJ661F-16P

Emergency Shut-off Valve Normally Opened

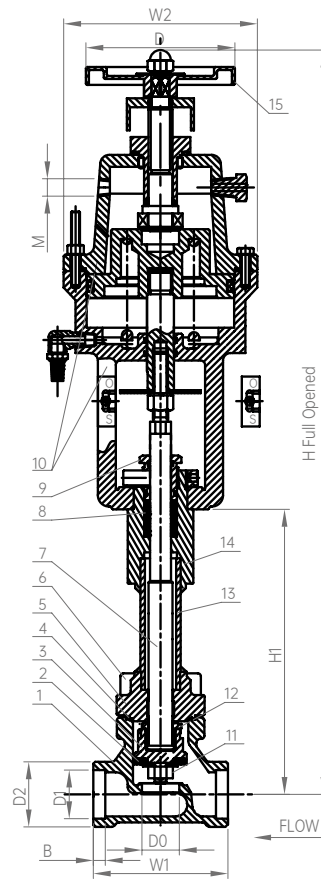
Parameters

PN: 1.6MPa
DN: Ø15 ~ Ø25
Design Temp.: -196°C ~ +75°C
Media: LNG, LO₂, LN₂, LAr, CO₂
Driving Pressure: 0.4 ~ 0.7MPa

Connection: Socket Weld



This kind of product has certified by CE, EAC, TS and CCS
Standards: GB/T 24918, EN1626:2008, TR CU 032/2013



Materials

1	Body	CF8	6	Screw	S30408	11	Hexagon Nut	S30408
2	Disc Sealing	PCTFE	7	Stem	S30408	12	Connecting Nut	S30408
3	Disc	S30408	8	V ring	PTFE	13	Connecting Pipe	S30408
4	Gasket	RPTFE	9	Gland Nut	S30408	14	Gland Packings	S30408
5	Bonnet	S30408	10	Cylinder Body & Cover	ZL104	15	Hand Wheel	Y102

Model No.	Specifications & Dimensions (mm)										Maximum Working Pressure (MPa)	Weight(kg)
	H	H1	D	D0	D1	D2	B	W1	W2	M		
DJQC-15	488	175	Ø100	Ø15	Ø18.5	Ø29.5	6	65	Ø130	Rc1/4	1.6	
DJQC-20	492	179	Ø100	Ø20	Ø25.5	Ø36	8	80	Ø130	Rc1/4	1.6	
DJQC-25	499	186	Ø100	Ø25	Ø32.5	Ø43.5	8	90	Ø130	Rc1/4	1.6	

DJ661F-16P

Emergency Shut-off Valve Normally Opened

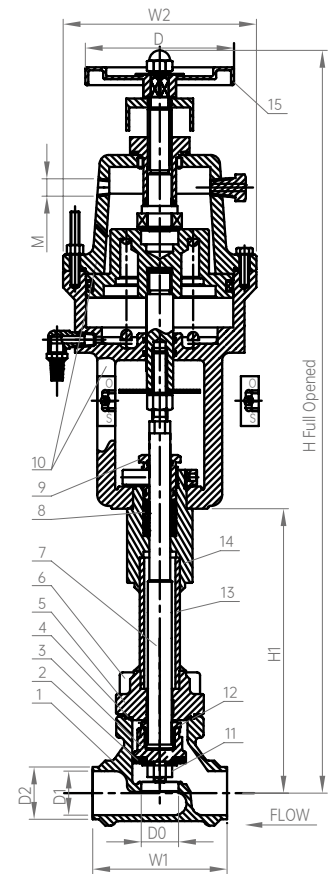
Parameters

PN: 1.6MPa
DN: Ø15 ~ Ø25
Design Temp.: -196°C ~ +75°C
Media: LNG, LO₂, LN₂, LAr, CO₂
Driving Pressure: 0.4 ~ 0.7MPa

Connection: Butt Weld



This kind of product has certified by CE, EAC, TS and CCS
Standards: GB/T 24918, EN1626:2008, TR CU 032/2013



Materials

1	Body	CF8	6	Screw	S30408	11	Hexagon Nut	S30408
2	Disc Sealing	PCTFE	7	Stem	S30408	12	Connecting Nut	S30408
3	Disc	S30408	8	V ring	PTFE	13	Connecting Pipe	S30408
4	Gasket	RPTFE	9	Gland Nut	S30408	14	Gland Packings	S30408
5	Bonnet	S30408	10	Cylinder Body & Cover	ZL104	15	Hand Wheel	Y102

Model No.	Specifications & Dimensions (mm)									Maximum Working Pressure (MPa)	Weight(kg)
	H	H1	D	D0	D1	D2	W1	W2	M		
DJQC-15A	488	175	Ø100	Ø15	Ø17.08	Ø21.4	65	Ø130	Rc1/4	1.6	
DJQC-20A	492	179	Ø100	Ø20	Ø22.48	Ø26.7	80	Ø130	Rc1/4	1.6	
DJQC-25A	499	186	Ø100	Ø25	Ø27.9	Ø33.4	90	Ø130	Rc1/4	1.6	

Cryogenic Regulator

www.baituvalves.com

BAITU CRYOGENIC VALVE



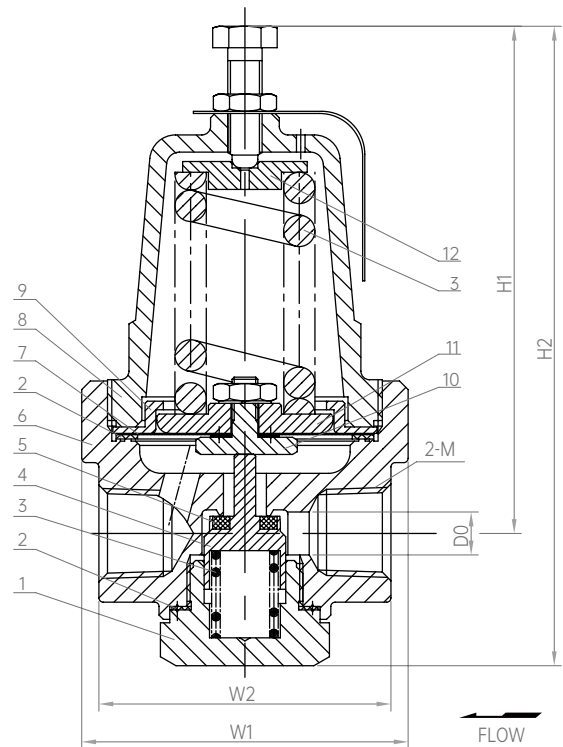
Cryogenic Regulator

Parameters

PN: 4.0MPa
DN: Ø15
Design Temp.: -196°C ~+80°C
Media: LNG, LO₂, LN₂, LAr, CO₂



This kind of product has certified by CE,EAC,TS and CCS
This regulator is used for pressure buildup of cryogenic vessels
Standards: GB/T 24925, EN1626:2008, TR CU 032/2013



Materials

1	Lower Cover	HPb59-1	5	Gasket	PTFE+MoS2	9	Gland Ring	H62
2	Gasket	RPTFE	6	Body	HPb59-1	10	Top Cover	S30408
3	Spring	S30210	7	Diaphragm	QSn6.5-0.1	11	Plate	HPb59-1
4	Disc	S30408	8	Bonnet	HPb59-1	12	Block	HPb59-1

Model No.	Specifications & Dimensions (mm)					Pressure Adjusting Range (MPa)	Weight(kg)
	H1	H2	W1	W2	M		
DYS-15A	110	141	Ø76	68	Rc1/2	0.2 ~ 1.6	1.6
DYS-15A1	110	141	Ø76	68	Rc1/2	1.6 ~ 3.0	1.7



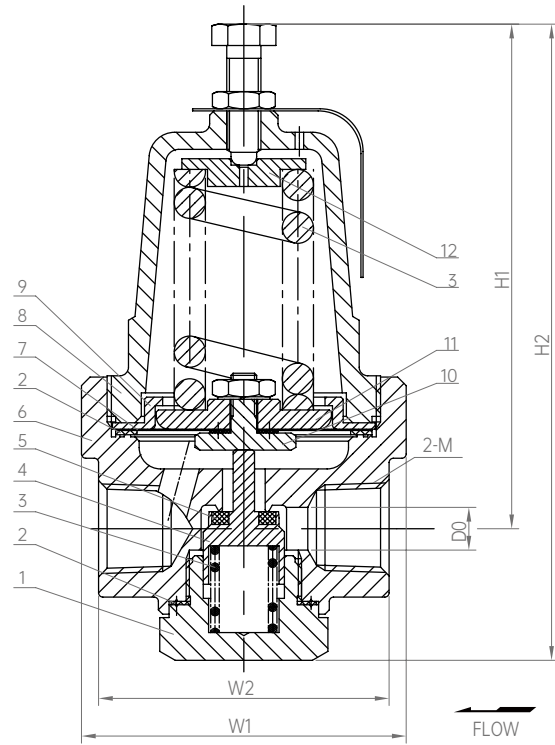
Cryogenic Regulator

Parameters

PN: 4.0MPa
DN: Ø15
Design Temp.: -196°C ~+80°C
Media: LNG, LO₂, LN₂, LAr, CO₂



This kind of product has certified by CE,EAC,TS and CCS
This regulator is used for pressure buildup of cryogenic vessels
Standards: GB/T 24925, EN1626:2008, TR CU 032/2013



Materials

1	Lower Cover	HPb59-1	5	Gasket	PTFE+MoS2	9	Gland Ring	H62
2	Gasket	RPTFE	6	Body	HPb59-1	10	Top Cover	S30408
3	Spring	S30210	7	Diaphragm	QSn6.5-0.1	11	Plate	HPb59-1
4	Disc	S30408	8	Bonnet	HPb59-1	12	Block	HPb59-1

Model No.	Specifications & Dimensions (mm)						Pressure Adjusting Range (MPa)	Weight(kg)
	H1	H2	W1	W2	D0	M		
DYS-15B	110	141	Ø76	68	Ø10	NPT 1/2	0.2 ~ 1.6	1.6
DYS-15B1	113	144	Ø76	68	Ø10	NPT 1/2	1.6 ~ 3.0	1.7
DYS-15B2	113	144	Ø76	68	Ø10	NPT 1/2	3.0 ~ 3.5	1.7

Cryogenic Regulator

Parameters

PN: 4.0MPa

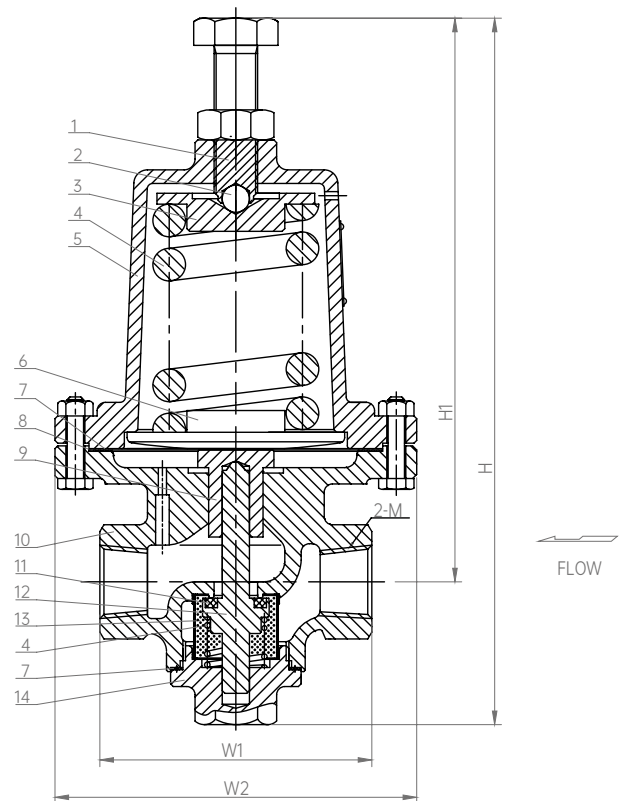
DN: Ø20

Design Temp.: -196°C ~+80°C

Media: LNG, LO₂, LN₂, LAr, CO₂



This kind of product has certified by CE,EAC,TS and CCS
This regulator is used for pressure buildup of cryogenic vessels
Standards: GB/T 24925, EN1626:2008, TR CU 032/2013



Materials

1	Adjusting Screw	S30408	6	Gland Pad	S30408	11	Gasket	PTFE+MoS2
2	Ball	S30408	7	Diaphragm	QSn6.5-0.1	12	Disc	HPb59-1
3	Spring Pad	S30408	8	Gasket	RPTFE	13	Filter	S30408
4	Spring	S30210	9	Positioning Sleeve	HPb59-1	14	Bottom Bonnet	CF8
5	Bonnet	CF8	10	Body	CF8			

Model No.	Specifications & Dimensions (mm)					Pressure Adjusting Range (MPa)	Weight(kg)
	H1	H2	W1	W2	M		
DYS-20	207	259.5	100	Ø133	Rc 3/4	0.2 ~ 1.8	5.3
DYS-20A1	207	259.5	100	Ø133	Rc 3/4	0.81 ~ 2.1	5.3



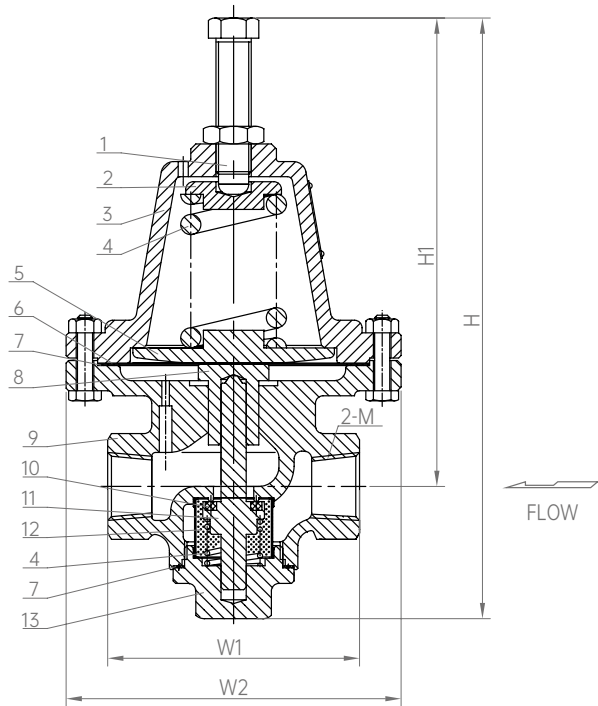
Cryogenic Regulator

Parameters

PN: 4.0MPa
DN: Ø20
Design Temp.: -196°C ~+80°C
Media: LNG. LO₂. LN₂. LAr. CO₂



This kind of product has certified by CE,EAC,TS and CCS
This regulator is used for pressure buildup of cryogenic vessels
Standards: GB/T 24925, EN1626:2008, TR CU 032/2013



Materials

1	Adjusting Screw	HPb59-1	6	Diaphragm	QSn6.5-0.1	11	Disc	HPb59-1
2	Spring Upper Pad	HPb59-1	7	Gasket	RPTFE	12	Filter	S30408
3	Bonnet	CF8	8	Positioning Sleeve	HPb59-1	13	Bottom Bonnet	CF8
4	Spring	S30210	9	Body	CF8			
5	Gland Pad	HPb59-1	10	Gasket	PTFE+MoS2			

Model No.	Specifications & Dimensions (mm)					Pressure Adjusting Range (MPa)	Weight(kg)
	H1	H2	W1	W2	M		
DYS-20 (01)	203	255	100	Ø133	Rc 3/4	0.2 ~ 0.8	4.5

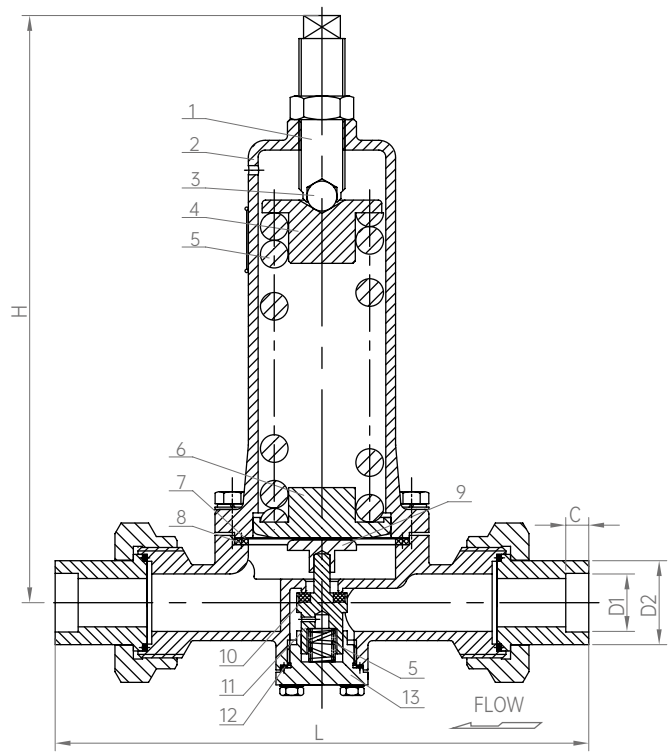
Cryogenic Regulator

Parameters

PN: 4.0MPa
DN: Ø20
Design Temp.: -196°C ~+80°C
Media: LNG, LO₂, LN₂, LAr, CO₂



This kind of product has certified by CE, EAC, TS and CCS
This regulator is used for pressure buildup of cryogenic vessels
Standards: GB/T 24925, EN1626:2008, TR CU 032/2013



Materials

1	Adjusting Screw	S30408	6	Gland Pad	S30408	11	Disc	S30408
2	Bonnet	CF8	7	Diaphragm	QSn6.5-0.1	12	Gasket	RPTFE
3	Ball	S30408	8	Gasket	PTFE	13	Bottom Bonnet	S30408
4	Spring Pad	S30408	9	Gland	S30408			
5	Spring	S30210	10	Gasket	PTFE+MoS2			

Model No.	Specifications & Dimensions (mm)						Pressure Adjusting Range (MPa)	Weight(kg)
	L	H	D0	D1	D2	C		
DYS-20B1	232	260	Ø20	Ø25.5	Ø36.5	10	1.6 ~ 3.5	
DYS-20D1	232	260	Ø20	Ø27	Ø36.5	10	1.6 ~ 3.5	



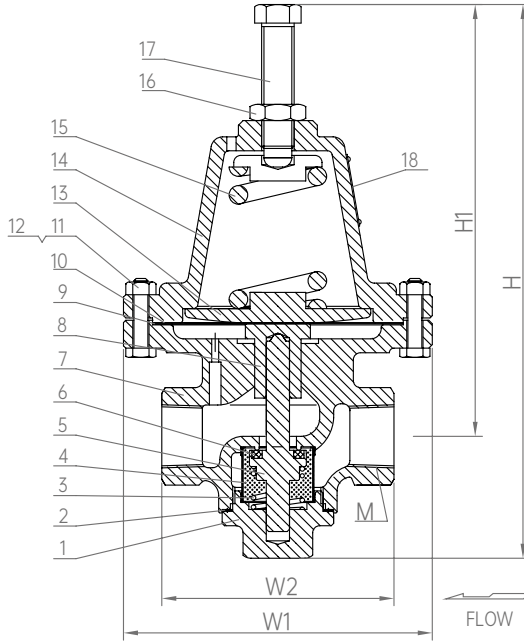
Cryogenic Regulator

Parameters

PN: 4.0MPa
DN: Ø20
Design Temp.: -196°C ~+80°C
Media: LNG, LO₂, LN₂, LAr, CO₂



This kind of product has certified by CE, EAC, TS and CCS
This regulator is used for pressure buildup of cryogenic vessels
Standards: GB/T 24925, EN1626:2008, TR CU 032/2013



Materials

1 Lower Body	C36000	7 Body	B62	13 Gland Pad	C36000
2 Gasket	D#9000	8 Positioning Sleeve	C36000	14 Bonnet	B62
3 Lower Spring	C51900	9 Upper Gasket	PTFE	15 Upper Spring	S30210
4 Brass Filter	150meshes or Monel Filter 1000 meshes	10 Diaphragm	QSn6.5-0.1	16 Nut	S30408
5 Disc	C36000	11 Hexagon Screw	S30408	17 Adjusting Screw	S30408
6 Gasket	PTFE+MoS2	12 Nut	S30408	18 Name Plate	1200

Remarks: **DYS-20.99.xx**



Model No.	Specifications & Dimensions (mm)					Nominal pressure (Mpa)	Pressure Adjusting Range(Mpa)	Weight(kg)
	H	H1	W1	W2	M			
DYS-20.99.01	239	192	133	100	NPT3/4	PN=4.0	P2=0.2~0.8	
DYS-20.99.02	255	203	133	100	NPT3/4	PN=4.0	P2=0.8~1.8	

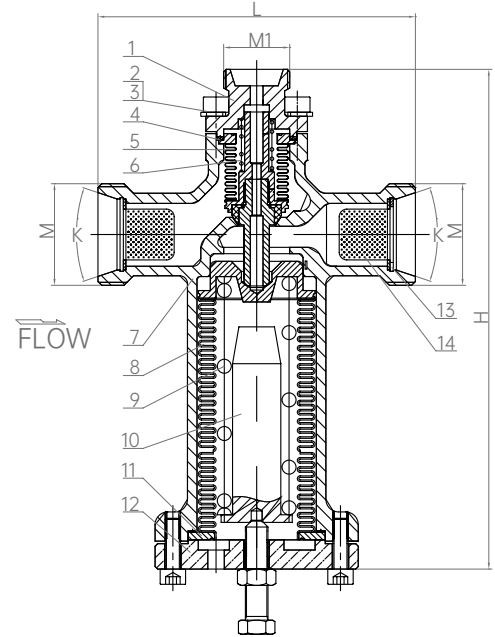
Pressure Regulator

Parameters

PN: 4.0MPa
DN: Ø20
Design Temp.: -196°C ~+85°C
Media: LNG. LO₂. LN₂. LAr. CO₂



This kind of product has certified by CE,EAC,TS and CCS
This regulator is used for pressure buildup of cryogenic vessels
Standards: GB/T 24925, GB/T 34530.1, TR CU 032/2013



Materials

1	Flange	S30408	7	Spring block	S30408
2	Closing Spring	S30210	8	Set point Springs	S30210
3	Sealing gasket	PTFE	9	Operating bellows	S31608
4	Operating bellows	S31608	10	Sealing gasket	D#9000
5	Filter	H90	11	Body cover	HPb59-1
6	Valve body	S30408			

Model No.	Specifications & Dimensions (mm)					Pressure Adjusting Range(Mpa)	Weight(kg)
	H	L	M	M1	K		
DYZ-20A	203±3	125±1.5	M40×2	M26×1.5	37°	P2=0.8~1.6	2.9
DYZ-20A1	203±3	125±1.5	M40×2	M26×1.5	37°	P2=1.61~2.6	2.9



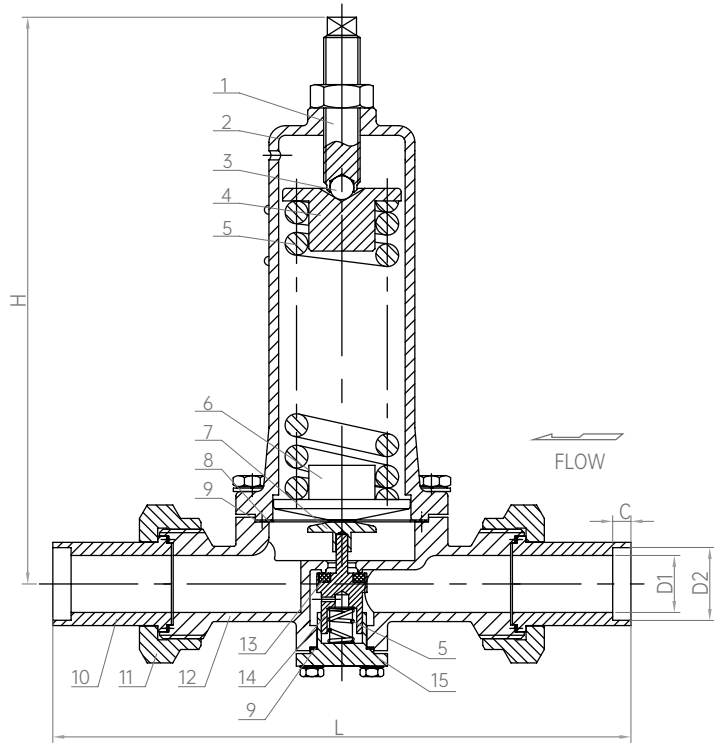
Cryogenic Regulator

Parameters

PN: 4.0MPa
DN: Ø25
Design Temp.: -196°C ~+80°C
Media: LNG, LO₂, LN₂, LAr, CO₂



This kind of product has certified by CE, EAC, TS and CCS
This regulator is used for pressure buildup of cryogenic vessels
Standards: GB/T 24925, EN1626:2008, TR CU 032/2013



Materials

1	Adjusting Screw	HPb59-1	6	Gland Pad	S30408	11	Nut	HPb59-1
2	Bonnet	CF8	7	Gland	S30408	12	Body	CF8
3	Ball	S30408	8	Diaphragm	QSn6.5-0.1	13	Gasket	PTFE+MoS2
4	Spring Pad	S30408	9	Gasket	RPTFE	14	Disc	S30408
5	Spring	S30210	10	pipe	S30408	15	Bottom Bonnet	S30408

Model No.	Specifications & Dimensions (mm)						Pressure Adjusting Range (MPa)	Weight(kg)
	H	L	D0	D1	D2	C		
DYS-25	256	270	Ø25	Ø32.5	Ø36.5	10	0.2 ~ 0.8	5.7
DYS-25A1	256	270	Ø25	Ø32.5	Ø36.5	10	1.6 ~ 3.5	5.8
DYS-25A2	256	270	Ø25	Ø32.5	Ø36.5	10	0.8 ~ 1.6	5.3

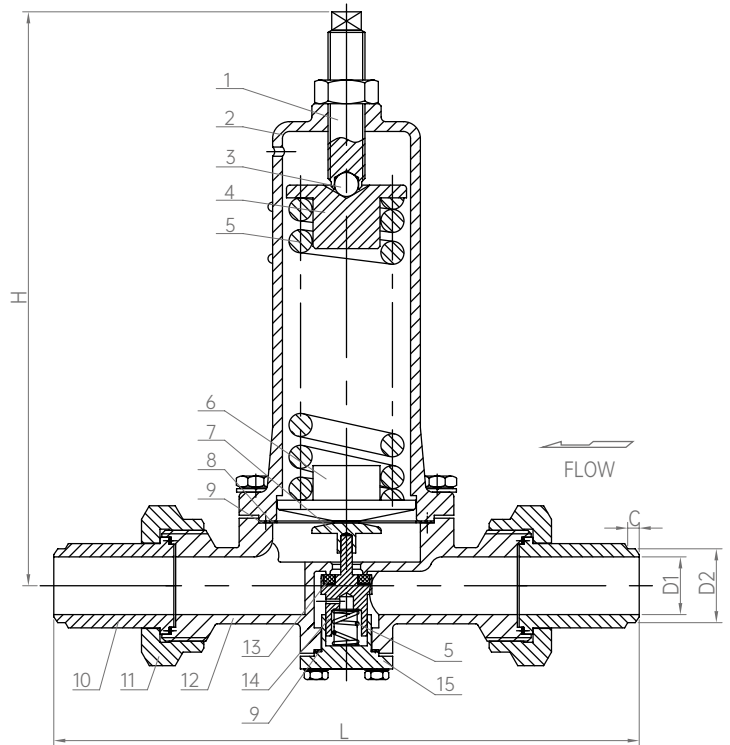
Cryogenic Regulator

Parameters

PN: 4.0MPa
DN: Ø25
Design Temp.: -196°C ~+80°C
Media: LNG, LO₂, LN₂, LAr, CO₂



This kind of product has certified by CE, EAC, TS and CCS
This regulator is used for pressure buildup of cryogenic vessels
Standards: GB/T 24925, EN1626:2008, TR CU 032/2013



Materials

1	Adjusting Screw	HPb59-1	6	Gland Pad	S30408	11	Nut	HPb59-1
2	Bonnet	CF8	7	Gland	S30408	12	Body	CF8
3	Ball	S30408	8	Diaphragm	QSn6.5-0.1	13	Gasket	PTFE+MoS2
4	Spring Pad	S30408	9	Gasket	RPTFE	14	Disc	S30408
5	Spring	S30210	10	Pipe	S30408	15	Bottom Bonnet	S30408

Model No.	Specifications & Dimensions (mm)						Pressure Adjusting Range (MPa)	Weight(kg)
	L	H	D0	D1	D2	C		
DYS-25B1	256	254	Ø25	Ø25	Ø32	5	0.2 ~ 0.8	5.8
DYS-25B2	256	254	Ø25	Ø25	Ø32	5	0.8 ~ 1.6	5.3



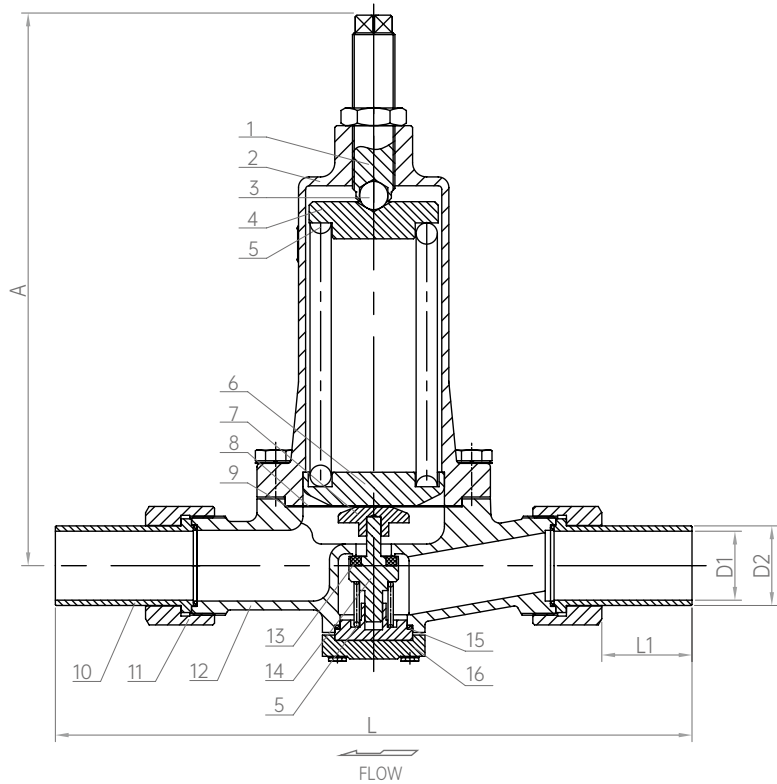
Cryogenic Regulator

Parameters

PN: 4.0MPa
DN: Ø40
Design Temp.: -196°C ~+80°C
Media: LNG, LO₂, LN₂, LAr, CO₂



This kind of product has certified by CE, EAC, TS and CCS
This regulator is used for pressure buildup of cryogenic vessels
Standards: GB/T 24925, EN1626:2008, TR CU 032/2013



Materials

1	Adjusting Screw	S31608	7	Gland	S30408	13	Gasket	PTFE+MoS2
2	Bonnet	CF8	8	Diaphragm	S30408	14	Disc	S30408
3	Ball	9Cr18	9	Gasket	RPTFE	15	Gasket	PTFE
4	Upper Gland Pad	S30408	10	Pipe	S30408	16	Bottom Bonnet	S30408
5	Spring	S30210	11	Nut	HPb59-1			
6	Bottom Gland Pad	S30408	12	Body	CF8			

Model No.	Specifications & Dimensions (mm)						Pressure Adjusting Range (MPa)	Weight(kg)
	H	L	D0	D1	D2	C		
DYS-40	311	308	51	Ø40	Ø39	Ø45	0.2 ~ 0.8	11.1
DYS-40A1	311	308	51	Ø40	Ø39	Ø45	0.8 ~ 1.6	11.1
DYS-40A3	311	308	51	Ø40	Ø39	Ø45	1.6 ~ 2.0	11.1
DYS-40A4	311	308	51	Ø40	Ø39	Ø45	2.0 ~ 3.2	11.1

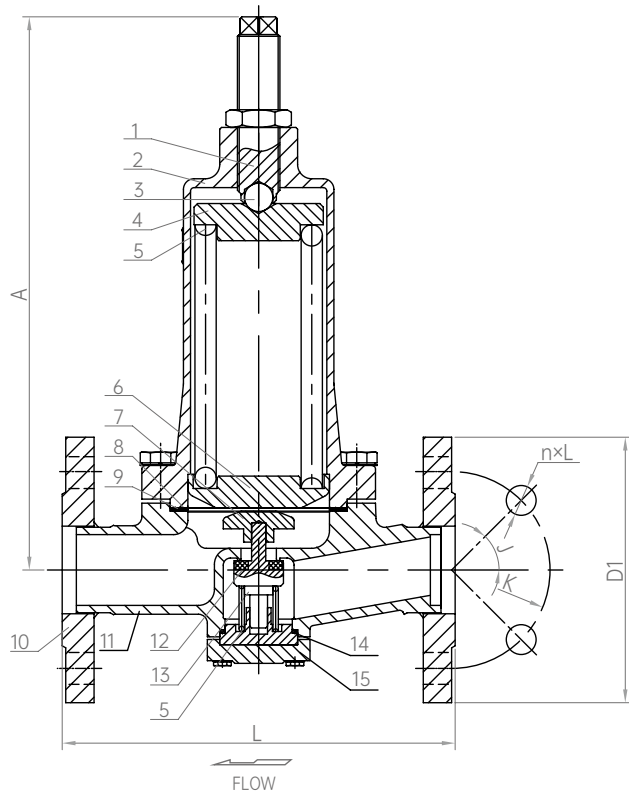
Cryogenic Regulator

Parameters

PN: 4.0MPa
DN: Ø40
Design Temp.: -196°C ~+80°C
Media: LNG, LO₂, LN₂, LAr, CO₂



This kind of product has certified by CE, EAC, TS and CCS
This regulator is used for pressure buildup of cryogenic vessels
Standards: GB/T 24925, EN1626:2008, TR CU 032/2013



Materials

1	Adjusting Screw	S31608	6	Bottom Gland Pad	S30408	11	Body	CF8
2	Bonnet	CF8	7	Gland	S30408	12	Gasket	PTFE+MoS2
3	Ball	9Cr18	8	Diaphragm	S30408	13	Disc	S30408
4	Upper Gland Pad	S30408	9	Gasket	RPTFE	14	Gasket	PTFE
5	Spring	S30210	10	Flange	S30408	15	Bottom Bonnet	S30408

Model No.	Specifications & Dimensions (mm)								Pressure Adjusting Range (MPa)	Weight(kg)
	H	L	D0	D1	K	n	L	J		
DYS-40F	311	222	Ø40	Ø150	Ø110	4	Ø18	45°	0.2 ~ 0.8	
DYS-40F2	311	222	Ø40	Ø150	Ø110	4	Ø18	45°	1.0 ~ 2.2	



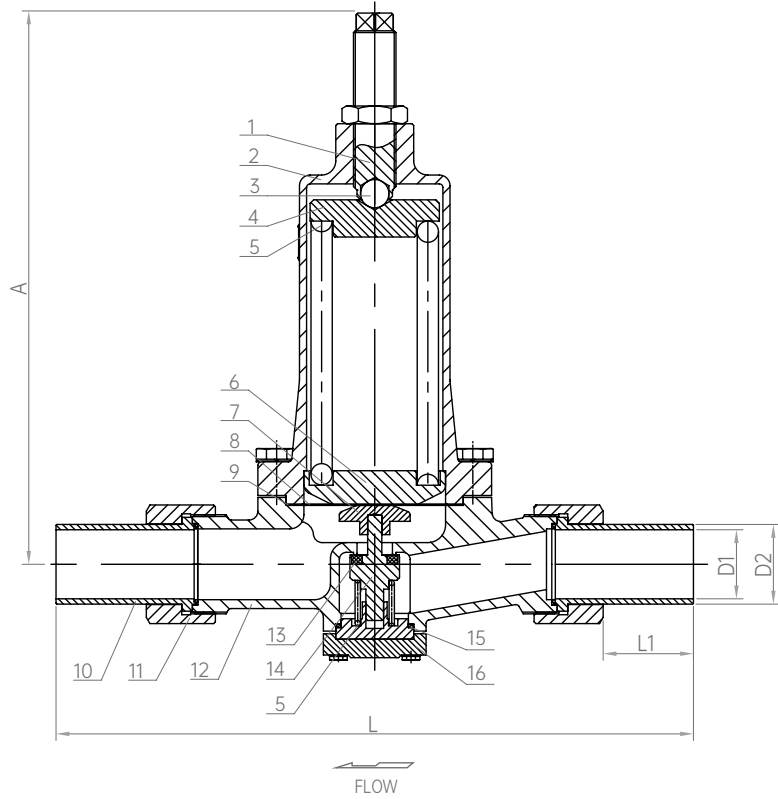
Cryogenic Regulator

Parameters

PN: 4.0MPa
DN: Ø50
Design Temp.: -196°C ~+80°C
Media: LNG, LO₂, LN₂, LAr, CO₂



This kind of product has certified by CE, EAC, TS and CCS
This regulator is used for pressure buildup of cryogenic vessels
Standards: GB/T 24925, EN1626:2008, TR CU 032/2013



Materials

1	Adjusting Screw	S31608	7	Gland	S30408	13	Gasket	PTFE+MoS2
2	Bonnet	CF8	8	Diaphragm	S30408	14	Disc	S30408
3	Ball	9Cr18	9	Gasket	RPTFE	15	Gasket	PTFE
4	Upper Gland Pad	S30408	10	Pipe	S30408	16	Bottom Bonnet	S30408
5	Spring	S30210	11	Nut	HPb59-1			
6	Bottom Gland Pad	S30408	12	Body	CF8			

Model No.	Specifications & Dimensions (mm)						Pressure Adjusting Range (MPa)	Weight(kg)
	H	L	L1	D0	D1	D2		
DYS-50	311	312	26	Ø50	Ø49	Ø57	0.2 ~ 0.8	11.8
DYS-50A	311	312	26	Ø50	Ø49	Ø57	0.8 ~ 1.6	11.8

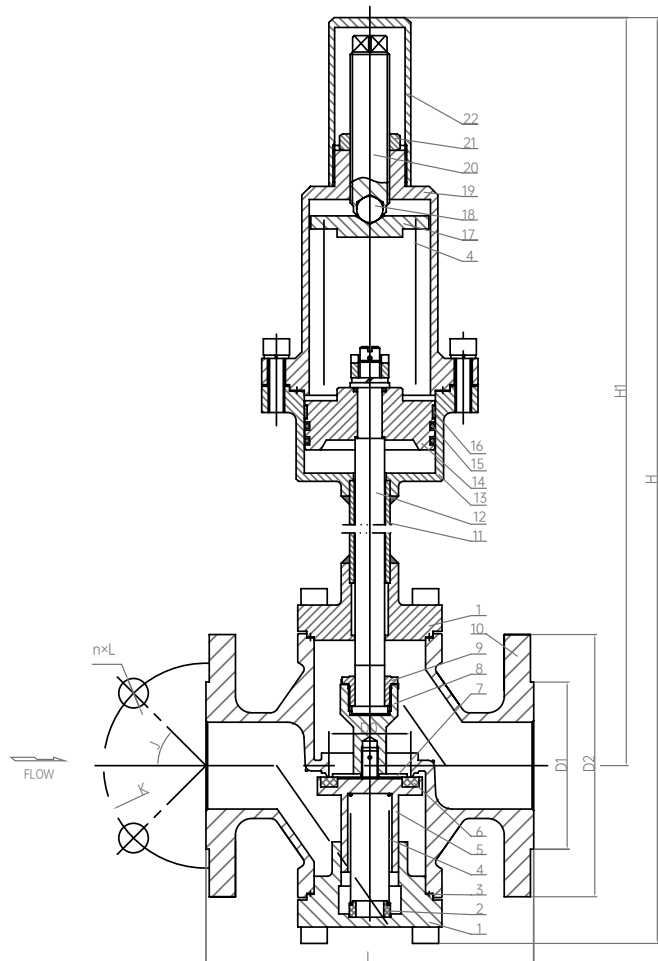
Cryogenic Regulator

Parameters

PN: 4.0MPa
DN: Ø50
Design Temp.: -196°C ~+80°C
Media: LNG, LO₂, LN₂, LAr, CO₂



This kind of product has certified by CE,EAC,TS and CCS
This regulator is used for pressure buildup of cryogenic vessels
Standards: GB/T 24925, EN1626:2008, TR CU 032/2013



Materials

1	Bonnet	CF8	9	Connecting Nut	S30408	17	Spring Pad	S30408
2	Spring Seat	PTFE	10	Body	CF8	18	Ball	9Cr18
3	Sealing	RPTFE	11	Connecting Pipe	S30408	19	Cylinder Cover	S30408
4	Spring	S30210	12	Stem	S30408	20	Adjusting Screw	HPb59-1
5	Disc	S30408	13	Cylinder	S30408	21	Hexagon Nut	HPb59-1
6	Seat Sealing	PTFE	14	Piston	6061	22	Dust Cover	S30408
7	Gasket	S30408	15	O Ring	NBR			
8	Disc Nut	S30408	16	Pilot Ring	PTFE			

Model No.	Specifications & Dimensions (mm)										Pressure Adjusting Range (MPa)	Weight(kg)
	H	H1	L	D0	D1	D2	K	n	L	J		
DYS-50C	565	456.5	200	Ø50	Ø102	Ø160	Ø125	4	Ø18	45°	0.4 ~ 1.0	
DYS-50C1	565	456.5	200	Ø50	Ø102	Ø160	Ø125	4	Ø18	45°	1.01 ~ 2.0	



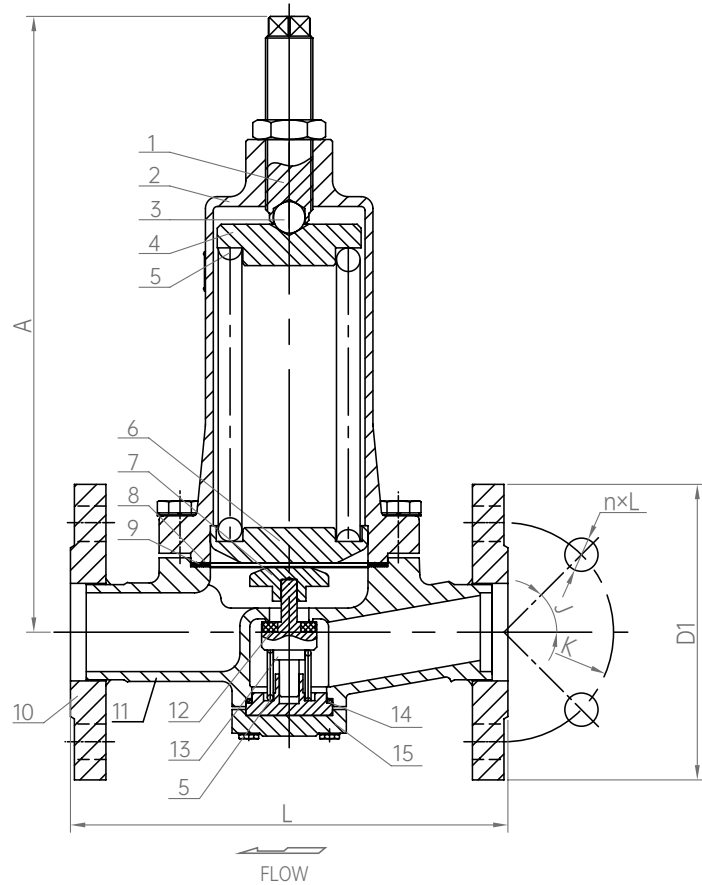
Cryogenic Regulator

Parameters

PN: 4.0MPa
DN: Ø50
Design Temp.: -196°C ~+80°C
Media: LNG, LO₂, LN₂, LAr, CO₂



This kind of product has certified by CE, EAC, TS and CCS
This regulator is used for pressure buildup of cryogenic vessels
Standards: GB/T 24925, EN1626:2008, TR CU 032/2013



Materials

1	Adjusting Screw	S31608	6	Bottom Gland Pad	S30408	11	Body	CF8
2	Bonnet	CF8	7	Gland	S30408	12	Gasket	PTFE+MoS2
3	Ball	9Cr18	8	Diaphragm	S30408	13	Disc	S30408
4	Upper Gland Pad	S30408	9	Gasket	RPTFE	14	O Ring	PTFE
5	Spring	S30210	10	Flange	S30408	15	Bottom Bonnet	S30408

Model No.	Specifications & Dimensions (mm)								Pressure Adjusting Range (MPa)	Weight(kg)
	H	L	D0	D1	K	n	L	J		
DYS-50F	311	224	Ø50	Ø165	Ø125	4	Ø18	45°	0.2 ~ 0.8	

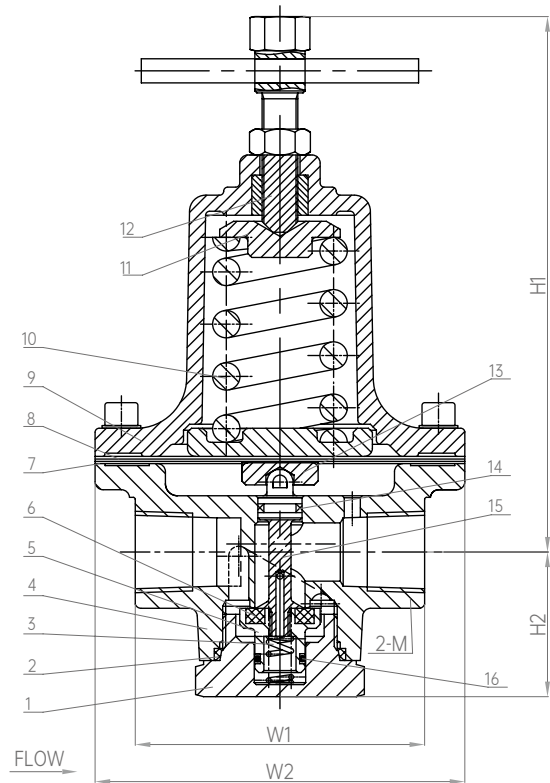
Cryogenic Regulator

Parameters

DN: Ø15
Design Temp.: -40°C ~+85°C
Media: NG, O₂, N₂, Ar



This kind of product has certified by EAC
Standards: TR CU 032/2013



Materials

1	Plug screw	C36000	7	Thin diaphragm	PTFE	13	Cushion Block	C36000
2	Washer	PTFE	8	Diaphragm	QSn6.5-0.1	14	Washer	PTFE
3	Small Spring	S30210	9	Bonnet	C37700	15	Ejector Bar	C36000
4	Body	C37700	10	Big Spring	S30210	16	O Ring	FKM
5	Disc	C36000	11	Spring Pad	S30408			
6	Gasket	FKM	12	Adjusting Screw	S30408			

Remarks: TZ-15.99.01 The material of diaphragm is FKM.

Model No.	Specifications & Dimensions (mm)						Nominal pressure(Mpa)	Pressure Adjusting Range(Mpa)	Weight(kg)
	H1	H2	W1	W2	M	Cv			
TZ-15.99.01	134	35	72	Ø92	NPT1/2	3.1	PN=4.0	P2=0.35~1.4	1.9
TZ-15.99.02	134	35	72	Ø92	NPT1/2	3.1	PN=4.0	P2=1.41~2.0	1.9
TZ-15.99.03	134	35	72	Ø92	NPT1/2	3.1	PN=4.0	P2=2.01~3.0	2.0



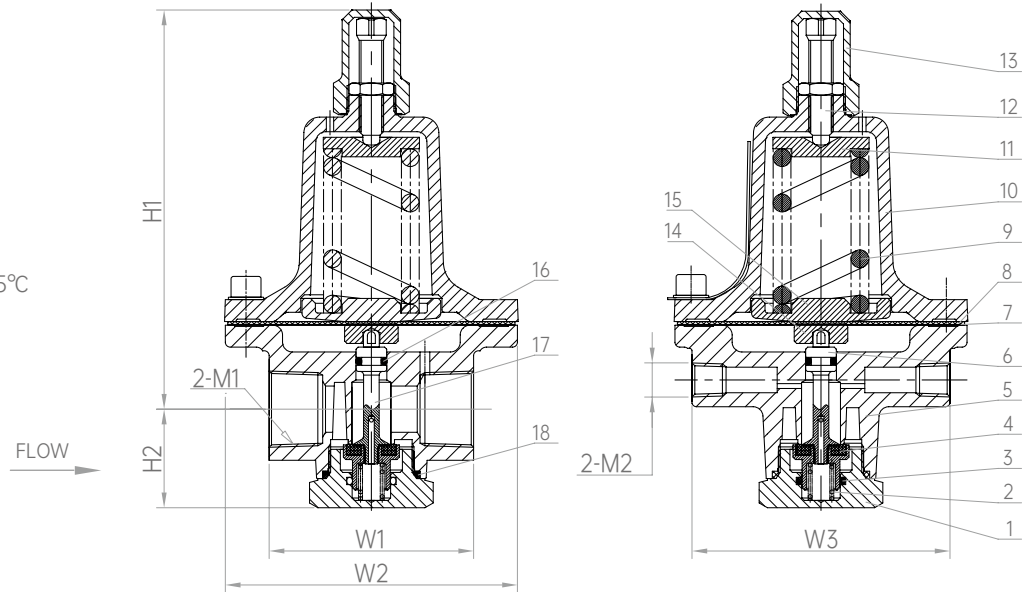
Cryogenic Regulator

Parameters

DN: Ø25
Design Temp.: -40°C ~+85°C
Media: NG, O₂, N₂, Ar



This kind of product has certified by EAC
Standards: TR CU 032/2013



Materials

1	Plug Screw	C36000	7	Thin Diaphragm	PTFE	13	Cover	C36000
2	Small Spring	S30210	8	Diaphragm	QSn6.5-0.1	14	Gland	C36000
3	O Ring	FKM	9	Spring	S30210	15	Spring bottom pad	C36000
4	Gasket	FKM	10	Bonnet	C37700	16	Washer	PTFE
5	Body	C37700	11	Spring Pad	C36000	17	Ejector Bar	C36000
6	Ejector Bar	C36000	12	Adjusting Screw	S30408	18	Washer	PTFE

Remarks: TZ-25.99.01 The material of diaphragm is FKM.

Model No.	Specifications & Dimensions (mm)								Nominal pressure(Mpa)	Pressure Adjusting Range(Mpa)	Weight(kg)
	H1	H2	W1	W2	W3	M1	M2	Cv			
TZ-25.99.01	164	40.5	84	Ø120	106	NPT 1	NPT1/4	5.5	PN=4.0	P2=0.35~1.4	3.7
TZ-25.99.02	164	40.5	84	Ø120	106	NPT 1	NPT1/4	5.5	PN=4.0	P2=1.41~2.0	3.7
TZ-25.99.03	164	40.5	84	Ø120	106	NPT 1	NPT1/4	5.5	PN=4.0	P2=2.01~3.0	3.7

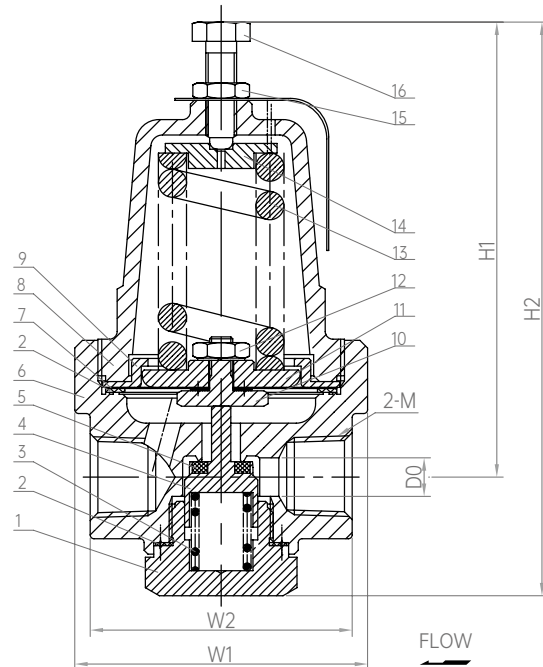
Cryogenic Regulator

Parameters

PN: 4.0MPa
DN: Ø15
Design Temp.: -196°C ~+85°C
Media: LNG. LO₂. LN₂. LAr. CO₂



This kind of product has certified by CE, EAC, TS and CCS
Standards: GB/T 24925, EN1626:2008, TR CU 032/2013



Materials

1	Lower Cover	C36000	7	Diaphragm	QSn6.5-0.1	13	Spring	S30210
2	Gasket	D#9000	8	Bonnet	C37700	14	Block	C36000
3	Lower Cover	S30210	9	Gland Ring	H62	15	Nut	S30408
4	Disc	C36000	10	Top Cover	C36000	16	Adjusting Screw	S30408
5	Gasket	PTFE+MoS2	11	Plate	C36000			
6	Body	C37700	12	Nut	S30408			

Model No.	Specifications & Dimensions (mm)							Pressure Adjusting Range (Mpa)	Weight(kg)
	H1	H2	W1	W2	M	D0	Cv		
TS-15	113	144	Ø76	68	NPT1/2	Ø10	3.2	P2=0.2~1.6	1.7
TS-15A	113	144	Ø76	68	NPT1/2	Ø10	3.2	P2=1.6~3.0	1.7
TS-15A1	113	144	Ø76	68	NPT1/2	Ø10	3.2	P2=3.0~3.5	1.7

Cryogenic Economizer

www.baituvalves.com

BAITU CRYOGENIC VALVE



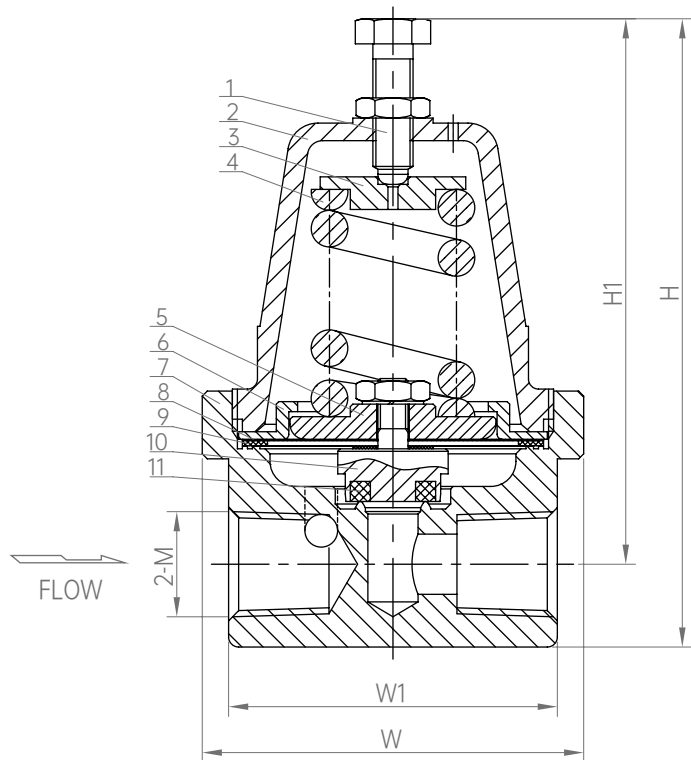
Cryogenic Economizer

Parameters

PN: 4.0MPa
DN: Ø15
Design Temp.: -196°C ~+80°C
Media: LNG, LO₂, LN₂, LAr, CO₂



This kind of product has certified by CE, EAC, TS and CCS.
This economizer is used for pressure reducing of cryogenic vessels,
and use gas phase in priority when choosing gas or liquid phase.
Standards: GB/T 24925, EN1626:2008, TR CU 032/2013



Materials

1	Adjusting Screw	S31608	5	Spring Bottom Pad	HPb59-1	9	Sealing	RPTFE
2	Bonnet	CF8	6	Gland Ring	H62	10	Disc	S30408
3	Spring Upper Pad	HPb59-1	7	Body	CF8	11	Gasket	PTFE+MoS2
4	Spring	S30210	8	Diaphragm	QSn6.5-0.1			

Model No.	Specifications & Dimensions (mm)						Pressure Adjusting Range (MPa)	Weight(kg)
	H	H1	W	W1	D0	M		
DYJ-15	125	108	Ø76	65	Ø15	Rc1/2	0.2 ~ 0.8	1.2
DYJ-15A2	125	108	Ø76	65	Ø15	Rc1/2	0.8 ~ 2.0	1.3
DYJ-15A3	125	108	Ø76	65	Ø15	Rc1/2	2.0 ~ 3.0	1.2
DYJ-15A4	125	108	Ø76	65	Ø15	Rc1/2	3.0 ~ 3.5	1.2



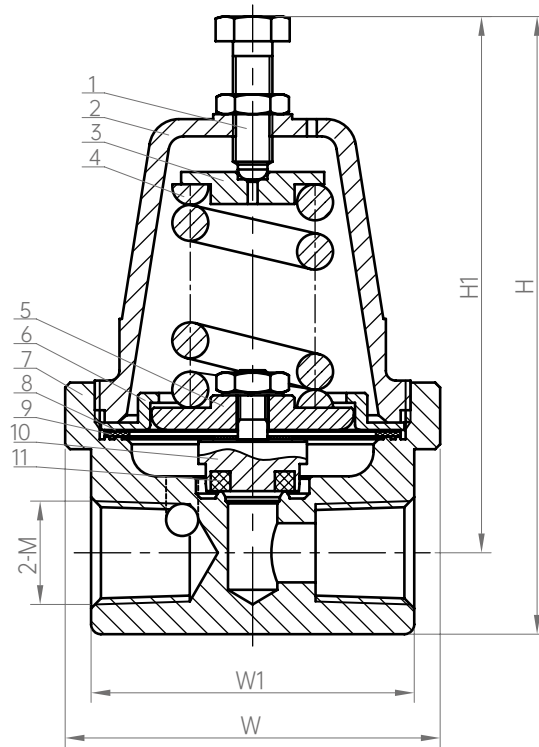
Cryogenic Economizer

Parameters

PN: 4.0MPa
DN: Ø15
Design Temp.: -196°C ~+80°C
Media: LNG, LO₂, LN₂, LAr, CO₂



This kind of product has certified by CE, EAC, TS and CCS.
This economizer is used for pressure reducing of cryogenic vessels,
and use gas phase in priority when choosing gas or liquid phase.
Standards: GB/T 24925, EN1626:2008, TR CU 032/2013



Materials

1	Adjusting Screw	S31608	5	Spring Bottom Pad	HPb59-1	9	Sealing	RPTFE
2	Bonnet	CF8	6	Gland Ring	H62	10	Disc	S30408
3	Spring Upper Pad	HPb59-1	7	Body	CF8	11	Gasket	PTFE+MoS2
4	Spring	S30210	8	Diaphragm	QSn6.5-0.1			

Model No.	Specifications & Dimensions (mm)						Pressure Adjusting Range (MPa)	Weight(kg)
	H	H1	W	W1	D0	M		
DYJ-15B	125	108	Ø76	65	Ø15	NPT 1/2	0.2 ~ 0.8	
DYJ-15B2	125	108	Ø76	65	Ø15	NPT 1/2	0.8 ~ 2.0	
DYJ-15B3	125	108	Ø76	65	Ø15	NPT 1/2	2.0 ~ 3.0	
DYJ-15B4	125	108	Ø76	65	Ø15	NPT 1/2	3.0 ~ 3.5	

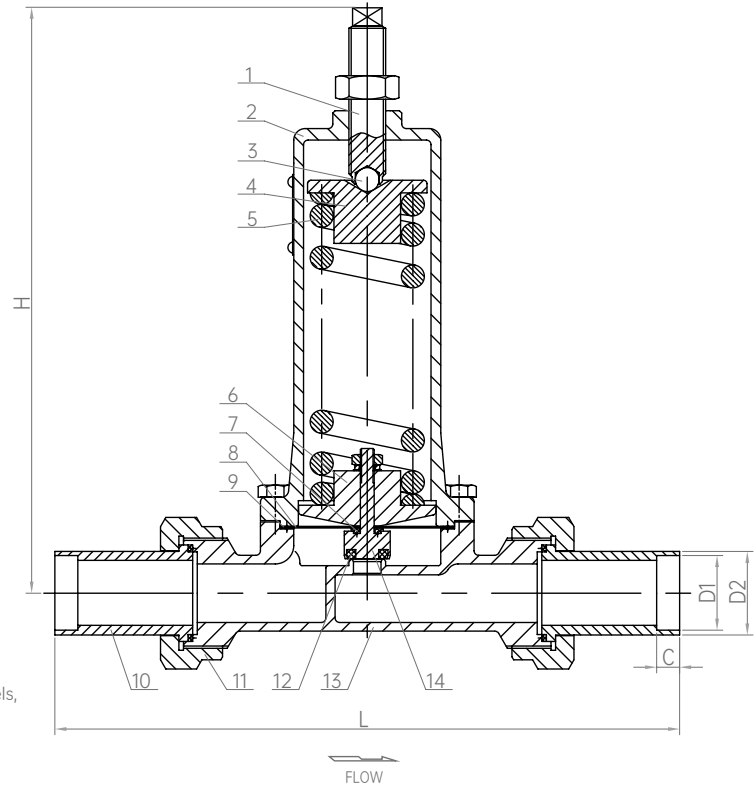
Cryogenic Economizer

Parameters

PN: 4.0MPa
DN: Ø25
Design Temp.: -196°C ~+80°C
Media: LNG, LO₂, LN₂, LAr, CO₂



This kind of product has certified by CE, EAC, TS and CCS.
This economizer is used for pressure reducing of cryogenic vessels,
and use gas phase in priority when choosing gas or liquid phase.
Standards: GB/T 24925, EN1626:2008, TR CU 032/2013



Materials

1	Adjusting Screw	HPb59-1	6	Gland Pad	S30408	11	Nut	HPb59-1
2	Bonnet	CF8	7	Sealing	PTFE	12	Gasket	PTFE+MoS2
3	Ball	S30408	8	Diaphragm	QSn6.5-0.1	13	Body	CF8
4	Spring Pad	S30408	9	Sealing	RPTFE	14	Disc	S30408
5	Spring	S30210	10	Pipe	S30408			

Model No.	Specifications & Dimensions (mm)						Pressure Adjusting Range (MPa)	Weight(kg)
	H	H1	W	W1	D0	M		
DYJ-25	256	272	Ø25	Ø32.5	Ø36.5	10	0.2 ~ 0.8	5.3
DYJ-25A	256	272	Ø25	Ø32.5	Ø36.5	10	0.8 ~ 1.6	5.1
DYJ-25A1	256	272	Ø25	Ø32.5	Ø36.5	10	1.6 ~ 3.5	5.1



Cryogenic Economizer

Parameters

PN: 4.0MPa

DN: Ø25

Design Temp.: -196°C ~+80°C

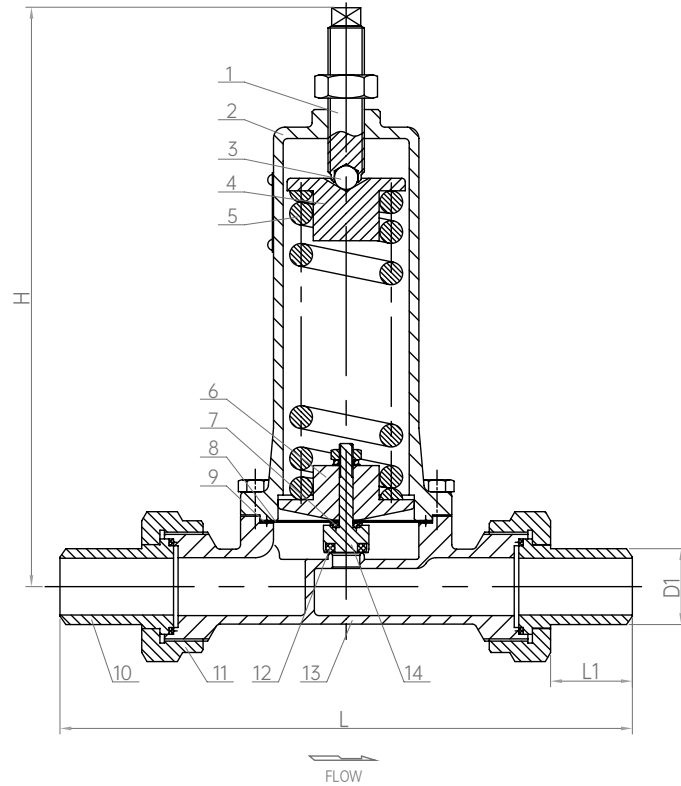
Media: LNG, LO₂, LN₂, LAr, CO₂



This kind of product has certified by CE, EAC, TS and CCS.

This economizer is used for pressure reducing of cryogenic vessels, and use gas phase in priority when choosing gas or liquid phase.

Standards: GB/T 24925, EN1626:2008, TR CU 032/2013



Materials

1	Adjusting Screw	HPb59-1	6	Gland Pad	S30408	11	Nut	HPb59-1
2	Bonnet	CF8	7	Sealing	PTFE	12	Gasket	PTFE+MoS2
3	Ball	S30408	8	Diaphragm	QSn6.5-0.1	13	Body	CF8
4	Spring Pad	S30408	9	Sealing	RPTFE	14	Disc	S30408
5	Spring	S30210	10	Pipe	S30408			

Model No.	Specifications & Dimensions (mm)					Pressure Adjusting Range (MPa)	Weight(kg)
	H	L	L1	D0	D1		
DYJ-25B	256	252	36	Ø25	Ø32	0.2 ~ 0.8	5.1
DYJ-25B1	256	252	36	Ø25	Ø32	0.8 ~ 1.6	5.1
DYJ-25B2	256	252	36	Ø25	Ø32	1.6 ~ 3.5	5.1

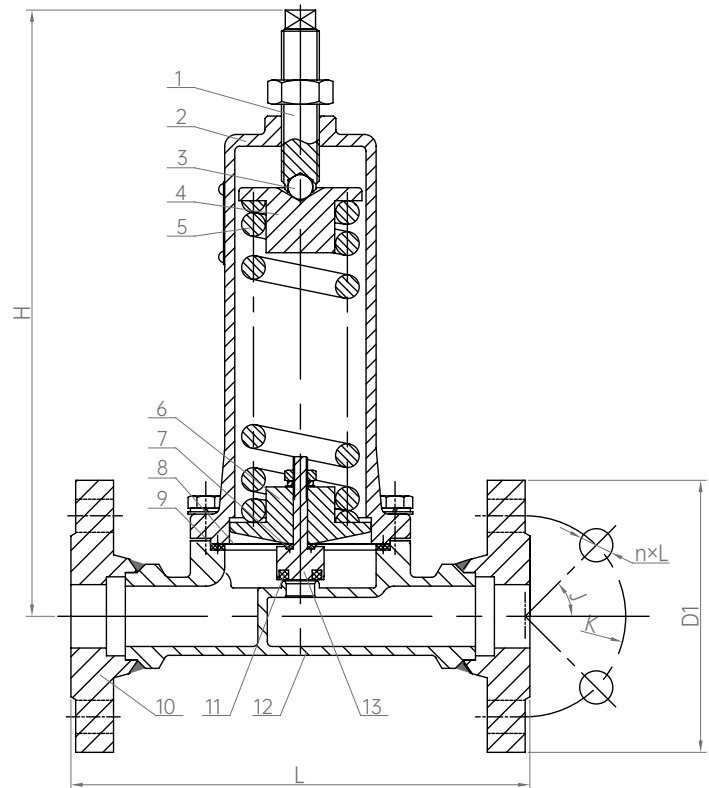
Cryogenic Economizer

Parameters

PN: 4.0MPa
DN: Ø25
Design Temp.: -196°C ~+80°C
Media: LNG. LO₂. LN₂. LAr. CO₂



This kind of product has certified by CE, EAC, TS and CCS.
This economizer is used for pressure reducing of cryogenic vessels,
and use gas phase in priority when choosing gas or liquid phase.
Standards: GB/T 24925, EN1626:2008, TR CU 032/2013



Materials

1	Adjusting Screw	HPb59-1	6	Gland Pad	S30408	11	Gasket	PTFE+MoS2
2	Bonnet	CF8	7	Gasket	PTFE	12	Body	CF8
3	Ball	S30408	8	Diaphragm	QSn6.5-0.1	13	Disc	S30408
4	Spring Pad	S30408	9	Gasket	RPTFE			
5	Spring	S30210	10	Flange	S30408			

Model No.	Specifications & Dimensions (mm)								Pressure Adjusting Range (MPa)	Weight(kg)
	H	L	D0	D1	K	n	L	J		
DYJ-25F	256	194	Ø25	Ø115	Ø85	4	Ø14	45°	0.2 ~ 0.8	
DYJ-25F1	256	194	Ø25	Ø115	Ø85	4	Ø14	45°	0.8 ~ 1.6	
DYJ-25F2	256	194	Ø25	Ø115	Ø85	4	Ø14	45°	1.6 ~ 3.5	



Cryogenic Economizer

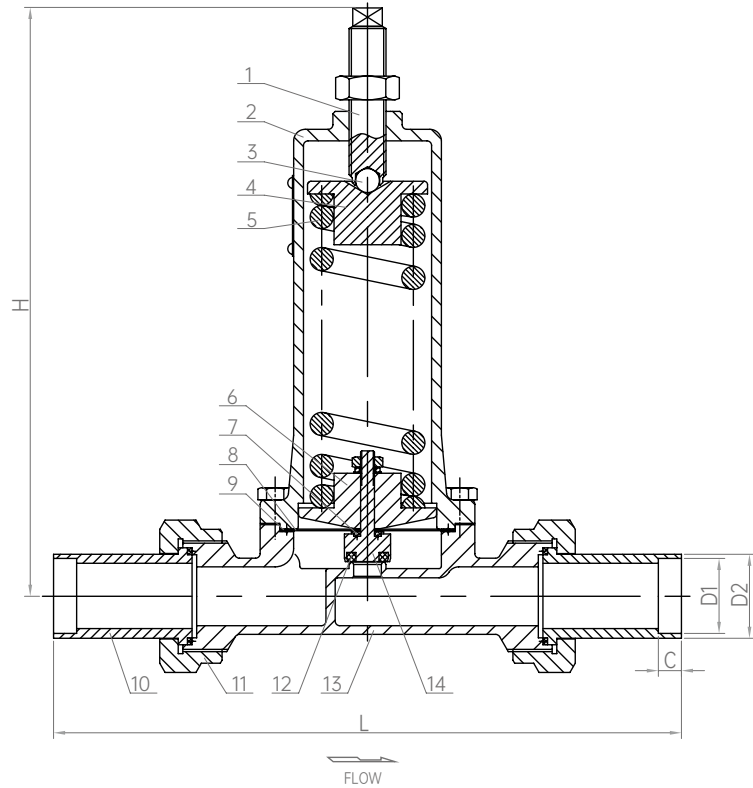
Parameters

PN: 4.0MPa
DN: Ø25
Design Temp.: -196°C ~+80°C
Media: LNG, LO₂, LN₂, LAr, CO₂



This kind of product has certified by CE, EAC, TS and CCS.
This economizer is used for pressure reducing of cryogenic vessels, and use gas phase in priority when choosing gas or liquid phase.

Standards: GB/T 24925, EN1626:2008, TR CU 032/2013



Materials

1	Adjusting Screw	HPb59-1	6	Gland Pad	S30408	11	Nut	HPb59-1
2	Bonnet	CF8	7	Sealing	PTFE	12	Gasket	PTFE+MoS2
3	Ball	S30408	8	Diaphragm	QSn6.5-0.1	13	Body	CF8
4	Spring Pad	S30408	9	Sealing	RPTFE	14	Disc	S30408
5	Spring	S30210	10	Pipe	S30408			

Model No.	Specifications & Dimensions (mm)					Pressure Adjusting Range (MPa)	Weight(kg)
	H	L	L1	D0	D1		
DYJ-25Y	256	252	36	Ø25	Ø33.4	0.2 ~ 0.8	
DYJ-25Y1	256	252	36	Ø25	Ø33.4	0.8 ~ 1.6	
DYJ-25Y2	256	252	36	Ø25	Ø33.4	1.6 ~ 3.5	

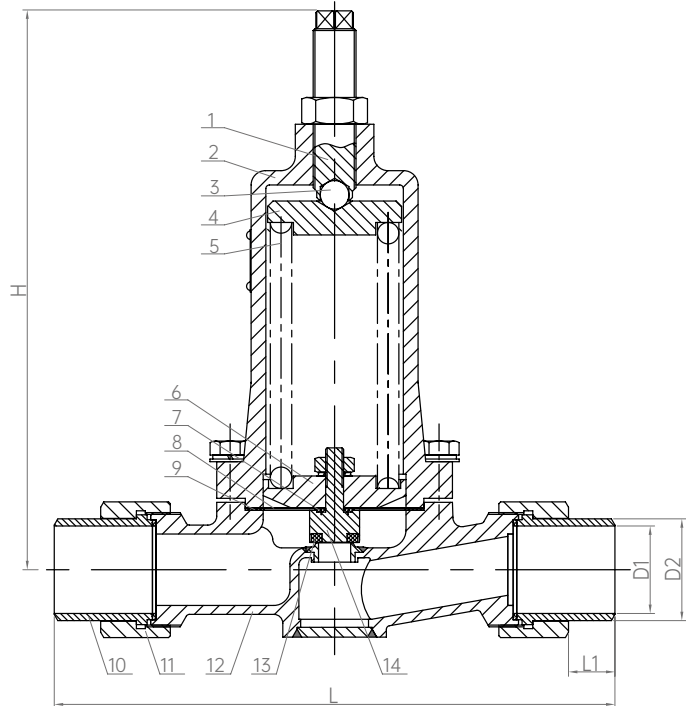
Cryogenic Economizer

Parameters

PN: 4.0MPa
DN: Ø40
Design Temp.: -196°C ~+80°C
Media: LNG, LO₂, LN₂, LAr, CO₂



This kind of product has certified by CE, EAC, TS and CCS.
This economizer is used for pressure reducing of cryogenic vessels,
and use gas phase in priority when choosing gas or liquid phase.
Standards: GB/T 24925, EN1626:2008, TR CU 032/2013



Materials

1	Adjusting Screw	S31608	6	Bottom Gland Pad	S30408	11	Nut	HPb59-1
2	Bonnet	CF8	7	Sealing	PTFE	12	Body	CF8
3	Ball	9Cr18	8	Diaphragm	S30408	13	Gasket	PTFE+MoS2
4	Upper Gland Pad	S30408	9	Sealing	RPTFE	14	Disc	S30408
5	Spring	S30210	10	Pipe	S30408			

Model No.	Specifications & Dimensions (mm)						Pressure Adjusting Range (MPa)	Weight(kg)
	H	H1	W	W1	D0	M		
DYJ-40	311	308	24	Ø40	Ø39	Ø45	0.2 ~ 0.8	11.2
DYJ-40A	311	308	24	Ø40	Ø39	Ø45	0.8 ~ 1.6	11.2
DYJ-50	311	312	26	Ø50	Ø49	Ø57	0.2 ~ 0.8	11.7
DYJ-50A	311	312	26	Ø50	Ø49	Ø57	0.8 ~ 1.6	11.7



Cryogenic Economizer

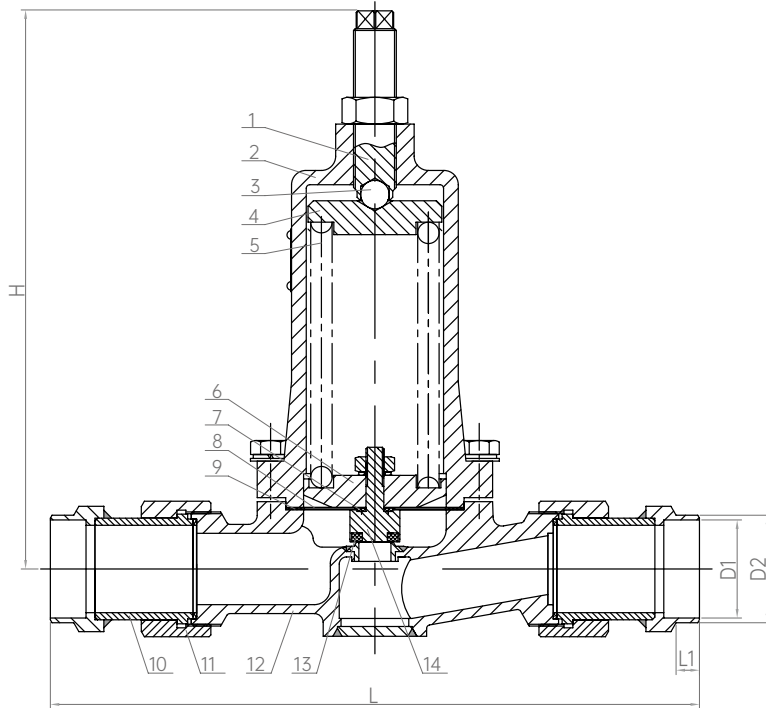
Parameters

PN: 4.0MPa
DN: Ø50
Design Temp.: -196°C ~+80°C
Media: LNG, LO₂, LN₂, LAr, CO₂



This kind of product has certified by CE, EAC, TS and CCS.
This economizer is used for pressure reducing of cryogenic vessels, and use gas phase in priority when choosing gas or liquid phase.

Standards: GB/T 24925, EN1626:2008, TR CU 032/2013



Materials

1	Adjusting Screw	S31608	7	Gland	S30408	13	Gasket	PTFE+MoS2
2	Bonnet	CF8	8	Diaphragm	S30408	14	Disc	S30408
3	Ball	9Cr18	9	Gasket	RPTFE	15	Gasket	PTFE
4	Upper Gland Pad	S30408	10	Pipe	S30408	16	Bottom Bonnet	S30408
5	Spring	S30210	11	Nut	HPb59-1			
6	Bottom Gland Pad	S30408	12	Body	CF8			

Model No.	Specifications & Dimensions (mm)						Pressure Adjusting Range (MPa)	Weight(kg)
	H	L	L1	D0	D1	D2		
DYJ-50Y	311	364	13	Ø50	Ø49	Ø60.3	0.2 ~ 0.8	11.7
DYJ-50Y1	311	364	13	Ø50	Ø49	Ø60.3	0.8 ~ 1.6	11.7

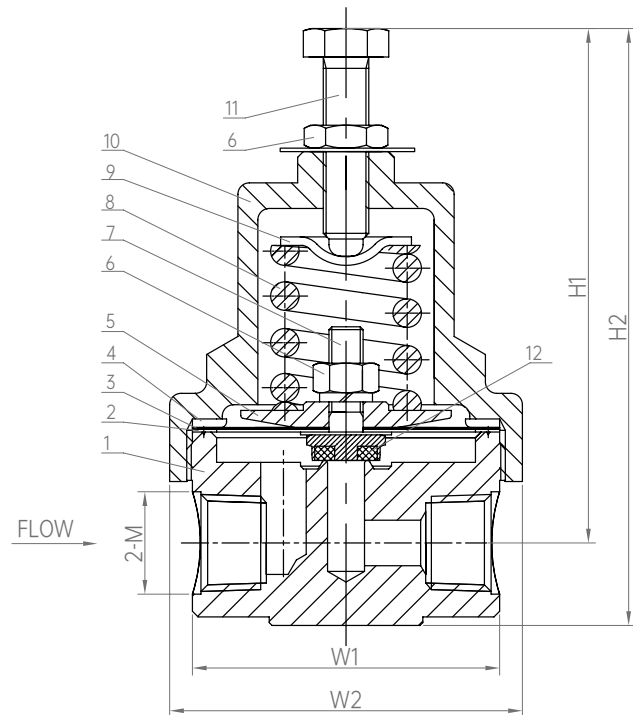
Cryogenic Economizer

Parameters

PN: 4.0MPa
DN: Ø10
Design Temp.: -196°C ~+80°C
Media: LNG, LO₂, LN₂, LAr, CO₂



This kind of product has certified by CE, EAC, TS and CCS
Standards: GB/T 24925, EN1626:2008, TR CU 032/2013



Materials

1	Body	C37700	5	Spring Bottom Pad	S36000	9	Spring Upper Pad	S30408
2	Washer	D#9000	6	Nut	S30408	10	Bonnet	C37700
3	Diaphragm	QSn6.5-0.1	7	Disc	C36000	11	Adjusting Screw	S30408
4	Gland Ring	C36000	8	Spring	S30210	12	Gasket	PFA

Remarks: The material of TJ10A1 is PCTFE.

Model No.	Specifications & Dimensions (mm)					Pressure Adjusting Range(Mpa)	Weight(kg)
	H1	H2	W1	W2	M		
TJ-10	88	105	54	Ø62	NPT3/8	P2=0.2~1.6	0.8
TJ-10A	88	105	54	Ø62	NPT3/8	P2=1.0~2.76	0.8
TJ-10A1	88	105	54	Ø62	NPT3/8	P2=2.76~3.5	0.8

Cryogenic Diverter Valve

www.baituvalves.com

BAITU CRYOGENIC VALVE



Cryogenic Diverter Valve

Parameters

PN: 4.0MPa

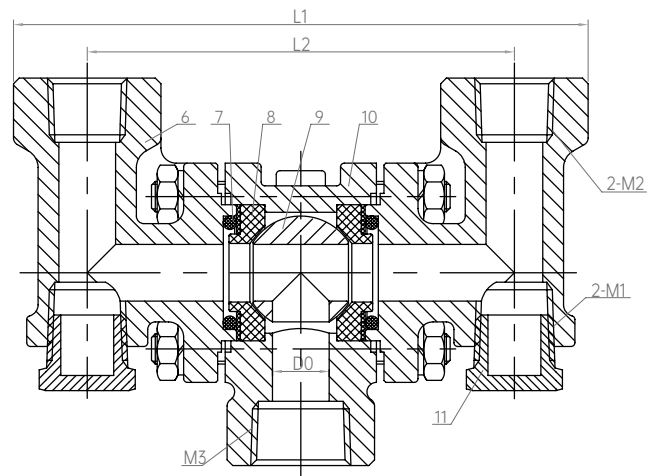
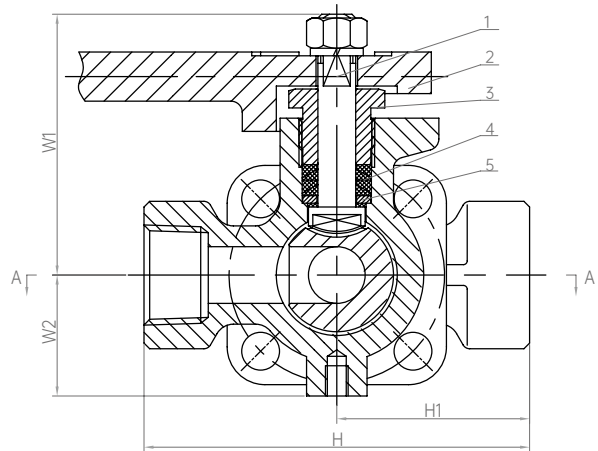
DN: Ø15

Design Temp.: -196°C ~+80°C

Media: LNG. LO₂. LN₂. LAr. CO₂



This kind of product has certified by CE, EAC, TS and CCS
Standards: GB/T 24925, EN1626:2008, TR CU 032/2013



Materials

1	Stem	S30408	5	Washer	S30408	9	Ball	S30408
2	Hand Lever	CF8	6	Bonnet	CF8	10	Body	CF8
3	Gland Nut	HPb59-1	7	Gasket PTFE	PTFE	11	Screw Plug	S30408
4	Gasket	PTFE	8	Ball Lining	PTFE			

Model No.	Specifications & Dimensions (mm)										Weight(kg)
	H	H1	D0	M1	M2	M3	L1	L2	W1	W2	
DQS-15	102.5	51.5	Ø15	NPT1/2	NPT1/2	NPT3/4	152	113	69	32	2.4
DQS-15F	102.5	51.5	Ø15	NPT1/2	Rc3/4	NPT3/4	152	113	69	32	2.4



Cryogenic Diverter Valve

Parameters

PN: 4.0MPa

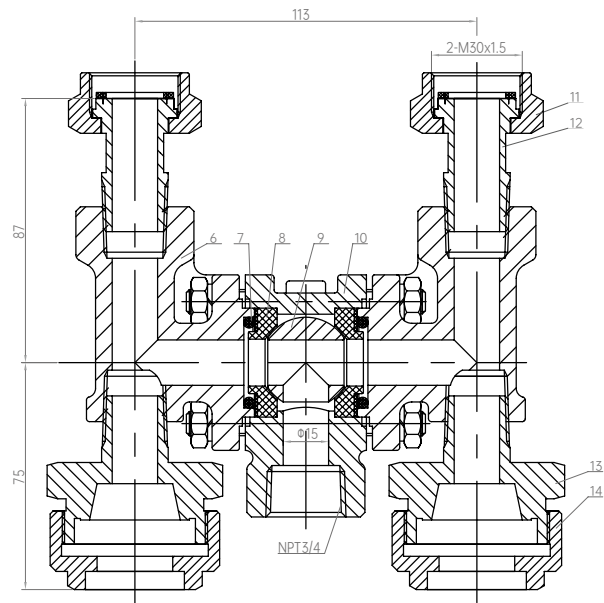
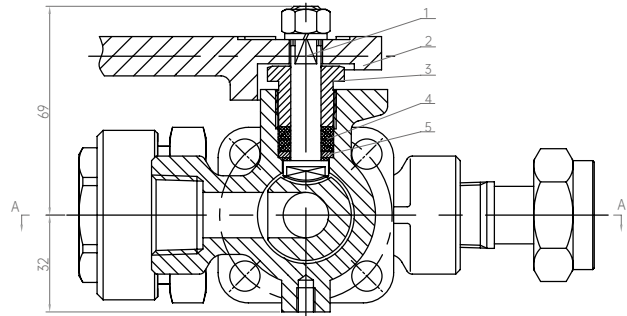
DN: Ø15

Design Temp.: -196°C ~+80°C

Media: LNG. LO₂. LN₂. LAr. CO₂



This kind of product has certified by CE, EAC, TS and CCS
Standards: GB/T 24925, EN1626:2008, TR CU 032/2013



Model No.DQS-15A

Materials

1	Stem	S30408	6	Bonnet	CF8	11	Hexagon Nut	HPb59-1
2	Hand Lever	CF8	7	Gasket	PTFE	12	Pipe	S30408
3	Gland Nut	HPb59-1	8	Ball Lining	PTFE	13	Adaptor	HPb59-1
4	Gasket	PTFE	9	Ball	S30408	14	Nut	S30408
5	Washer	S30408	10	Body	CF8			

Cryogenic Diverter Valve

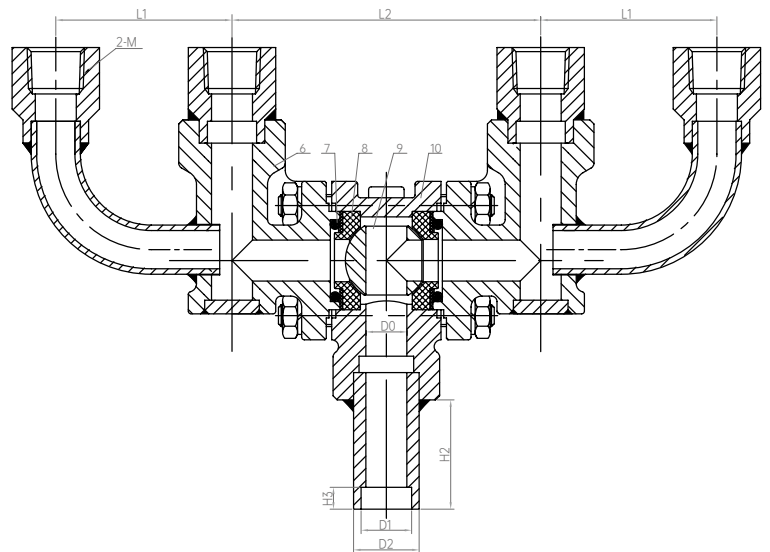
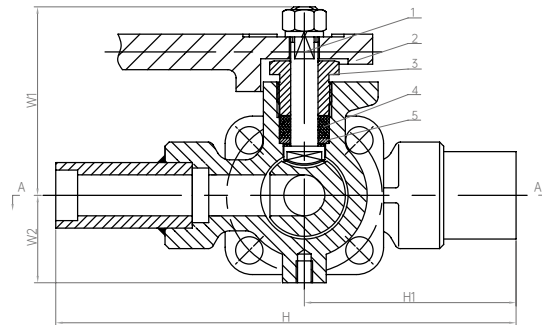
Parameters

PN: 4.0MPa

DN: Ø15

Design Temp.: -196°C ~+80°C

Media: LNG, LO₂, LN₂, LAr, CO₂



This kind of product has certified by CE, EAC, TS and CCS
Standards: GB/T 24925, EN1626:2008, TR CU 032/2013

Materials

1	Stem	S30408	5	Washer	S30408	9	Ball	S30408
2	Hand Lever	CF8	6	Bonnet	CF8	10	Body	CF8
3	Gland Nut	HPb59-1	7	Gasket PTFE	PTFE			
4	Gasket	PTFE	8	Ball Lining	PTFE			

Model No.	Specifications & Dimensions (mm)												Weight(kg)
	H	H1	H2	H3	D0	D1	D2	M	L1	L2	W1	W2	
DQS-15C	169	78	40	8	Ø15	Ø18.5	Ø24	NPT1/2	64.5	113	69	32	2.4
DQS-15C1	169	78	40	8	Ø15	Ø21.5	Ø28	NPT1/2	64.5	113	69	32	2.4
DQS-15E1	169	78	40	8	Ø15	Ø21.5	Ø28	NPT1/4	64.5	113	69	32	3.2



Cryogenic Diverter Valve

Parameters

PN: 4.0MPa

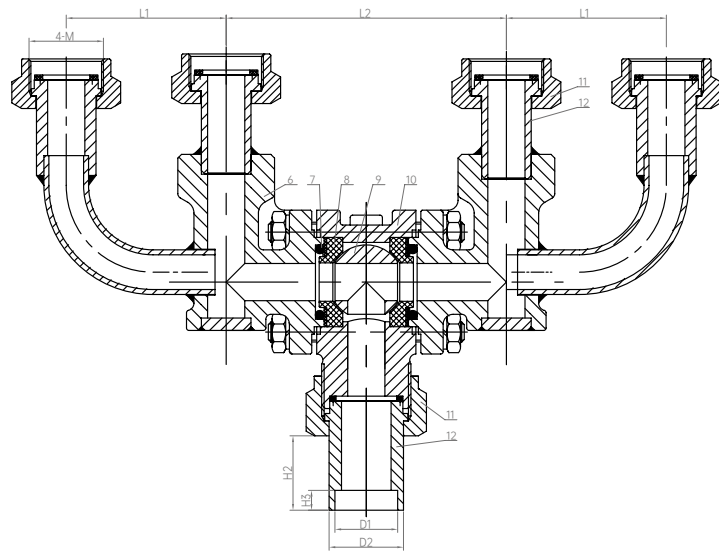
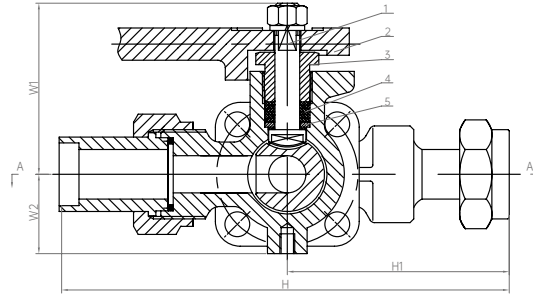
DN: Ø15

Design Temp.: -196°C ~+80°C

Media: LNG, LO₂, LN₂, LAr, CO₂



This kind of product has certified by CE, EAC, TS and CCS
Standards: GB/T 24925, EN1626:2008, TR CU 032/2013



Materials

1	Stem	S30408	5	Washer	S30408	9	Ball	S30408
2	Hand Lever	CF8	6	Bonnet	CF8	10	Body	CF8
3	Gland Nut	HPb59-1	7	Gasket PTFE	PTFE	11	Hexagon Nut	HPb59-1
4	Gasket	PTFE	8	Ball Lining	PTFE	12	Pipe	S30408

Model No.	Specifications & Dimensions (mm)												Weight(kg)
	H	H1	H2	H3	D0	D1	D2	M	L1	L2	W1	W2	
DQS-15D	183	92	30	8	Ø15	Ø25.3	Ø30	M30×1.5	64.5	113	69	32	

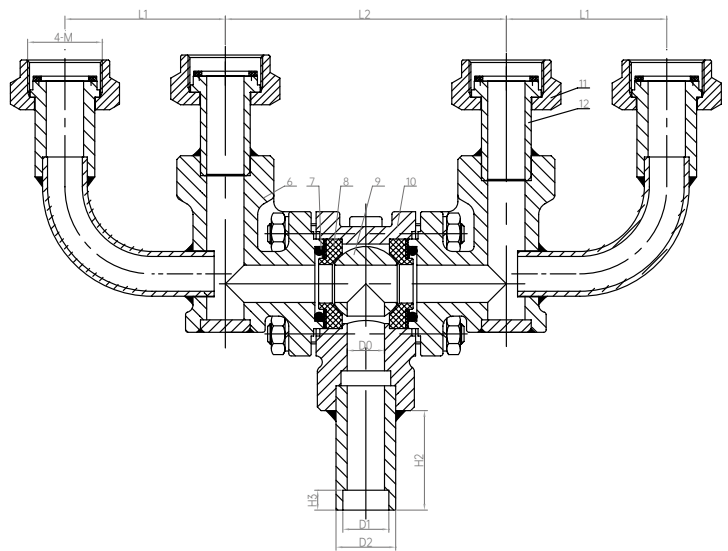
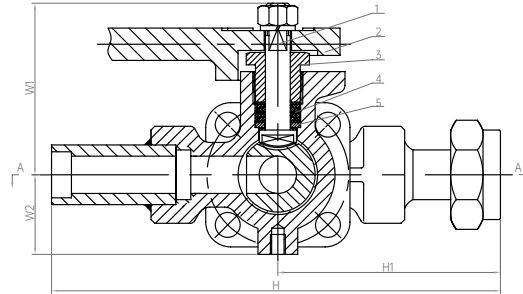
Cryogenic Diverter Valve

Parameters

PN: 4.0MPa
DN: Ø15
Design Temp.: -196°C ~+80°C
Media: LNG, LO₂, LN₂, LAr, CO₂



This kind of product has certified by CE, EAC, TS and CCS
Standards: GB/T 24925, EN1626:2008, TR CU 032/2013



Materials

1 Stem	S30408	5 Washer	S30408	9 Ball	S30408
2 Hand Lever	CF8	6 Bonnet	CF8	10 Body	CF8
3 Gland Nut	HPb59-1	7 Gasket PTFE	PTFE	11 Hexagon Nut	HPb59-1
4 Gasket	PTFE	8 Ball Lining	PTFE	12 Pipe	S30408

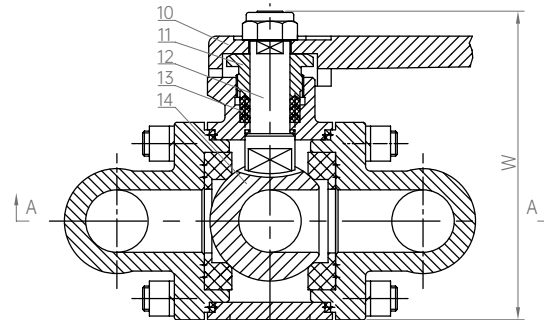
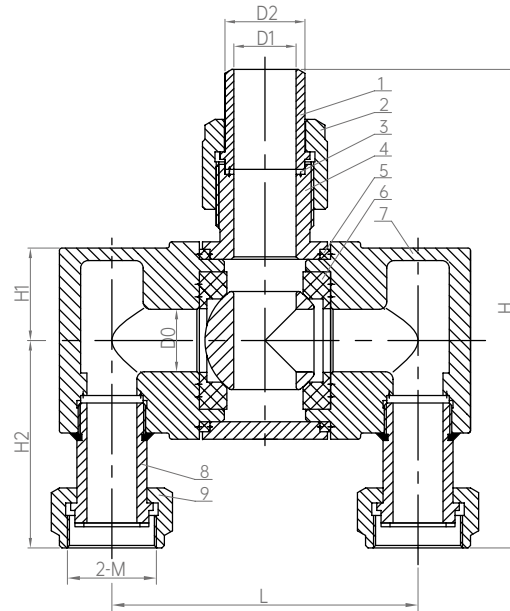
Model No.	Specifications & Dimensions (mm)												Weight(kg)
	H	H1	H2	H3	D0	D1	D2	M	L1	L2	W1	W2	
DQS-15W	183	92	40	8	Ø15	Ø18.5	Ø24	M30×1.5	64.5	113	69	32	
DQS-15W1	183	92	40	8	Ø15	Ø22.5	Ø28	M30×1.5	64.5	113	69	32	



Cryogenic Diverter Valve

Parameters

PN: 4.0MPa
DN: Ø25
Design Temp.: -196°C ~+80°C
Media: LNG, LO₂, LN₂, LAr, CO₂



This kind of product has certified by CE, EAC, TS and CCS
Standards: GB/T 24925, EN1626:2008, TR CU 032/2013

Materials

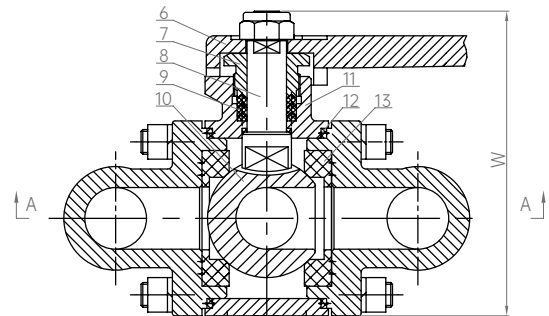
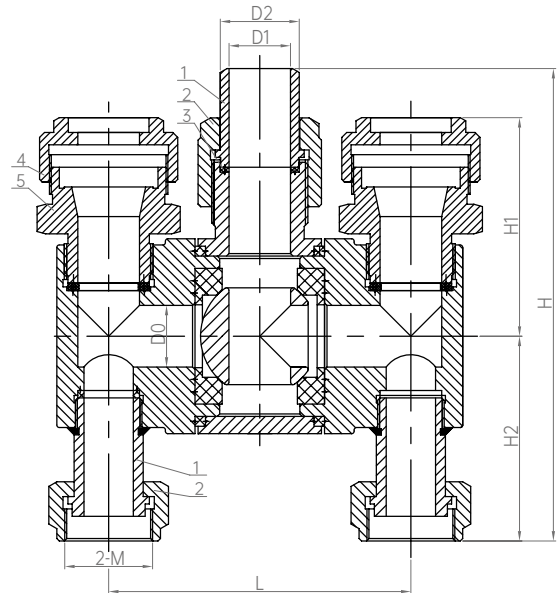
1 Pipe	S30408	6 Ball Lining	PTFE+C	11 Gland Nut	HPb59-1
2 Nut	HPb59-1	7 Bonnet	CF8	12 Stem	S30408
3 Gasket	PTFE	8 Pipe	S30408	13 Gasket	PTFE
4 Body	CF8	9 Nut	HPb59-1	14 Ball	S30408
5 Washer	PTFE	10 Hand Lever	CF8		

Model No.	Specifications & Dimensions (mm)									Weight (kg)
	H	H1	H2	H3	D0	D1	D2	M	L1	
DQS-25	191.5	37	83	Ø25	Ø25	Ø32	122.5	123.5	M36×2	4.9

Cryogenic Diverter Valve

Parameters

PN: 4.0MPa
DN: Ø25
Design Temp.: -196°C ~+80°C
Media: LNG, LO₂, LN₂, LAr, CO₂



This kind of product has certified by CE, EAC, TS and CCS
Standards: GB/T 24925, EN1626:2008, TR CU 032/2013

Materials

1	Pipe	S30408	6	Hand Lever	CF8	11	Body	CF8
2	Nut	HPb59-1	7	Gland Nut	HPb59-1	12	Washer	PTFE
3	Gasket	PTFE	8	Stem	S30408	13	Ball Lining	PTFE+C
4	Nut	S30408	9	Gasket	PTFE			
5	Adaptor	HPb59-1	10	Ball	S30408			

Model No.	Specifications & Dimensions (mm)									Weight(kg)
	H	H1	H2	D0	D1	D2	L	W	M	
DQS-25A	191.5	87	83	Ø25	Ø25	Ø32	122.5	123.5	M36×2	4.8



Cryogenic Diverter Valve

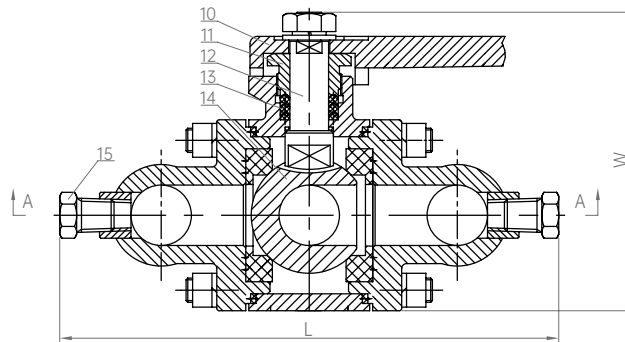
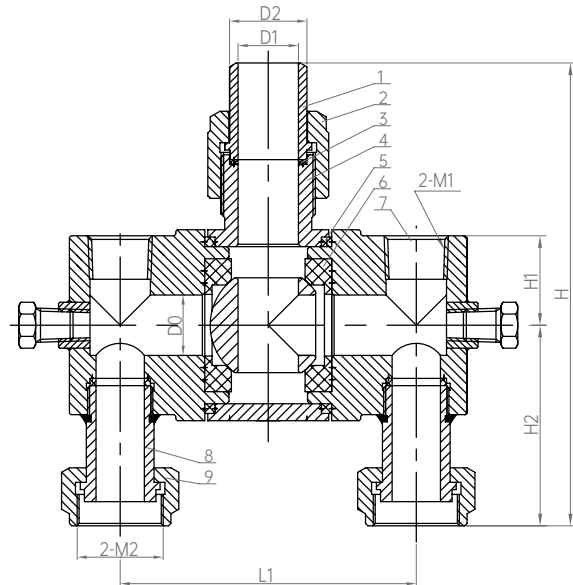
Parameters

PN: 4.0MPa

DN: Ø25

Design Temp.: -196°C ~+80°C

Media: LNG, LO₂, LN₂, LAr, CO₂



This kind of product has certified by CE, EAC, TS and CCS
Standards: GB/T 24925, EN1626:2008, TR CU 032/2013

Materials

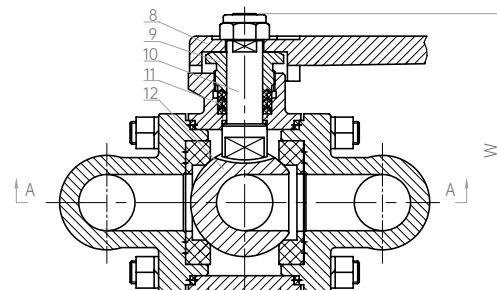
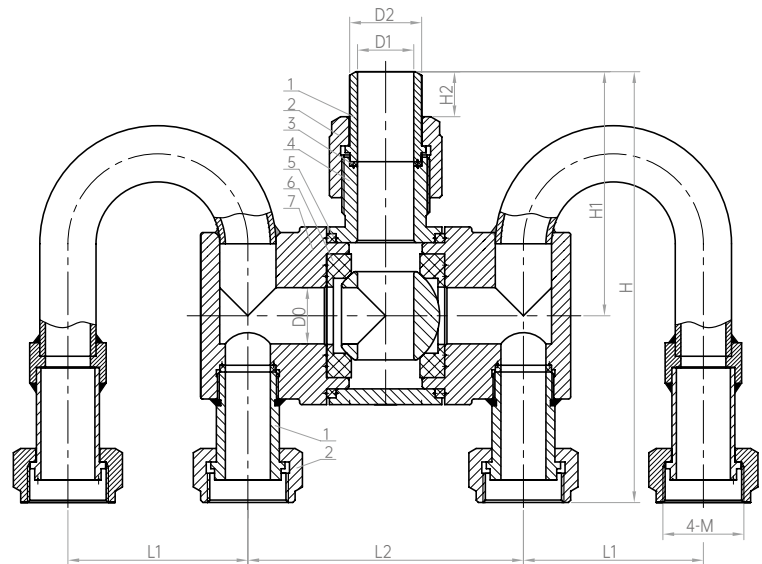
1	Pipe	S30408	6	Ball Lining	PTFE+C	11	Gland Nut	HPb59-1
2	Nut	HPb59-1	7	Bonnet	CF8	12	Stem	S30408
3	Gasket	PTFE	8	Pipe	S30408	13	Washer	PTFE
4	Body	CF8	9	Nut	HPb59-1	14	Ball	S30408
5	Washer	PTFE	10	Hand Lever	CF8	15	Screw Plug	HPb59-1

Model No.	Specifications & Dimensions (mm)											Weight(kg)
	H	H1	H2	D0	D1	D2	L	L1	W	M1	M2	
DQS-25B	191.5	37	83	Ø25	Ø25	Ø32	206	122.5	123.5	NPT3/4	M36×2	

Cryogenic Diverter Valve

Parameters

PN: 4.0MPa
DN: Ø25
Design Temp.: -196°C ~+80°C
Media: LNG, LO₂, LN₂, LAr, CO₂



This kind of product has certified by CE, EAC, TS and CCS
Standards: GB/T 24925, EN1626:2008, TR CU 032/2013

Materials

1 Pipe	S30408	5 Washer	PTFE	9 Gland Nut	HPb59-1
2 Nut	HPb59-1	6 Ball Lining	PTFE+C	10 Stem	S30408
3 Gasket	PTFE	7 Bonnet	CF8	11 Gasket	PTFE
4 Body	CF8	8 Hand Lever	CF8	12 Ball	S30408

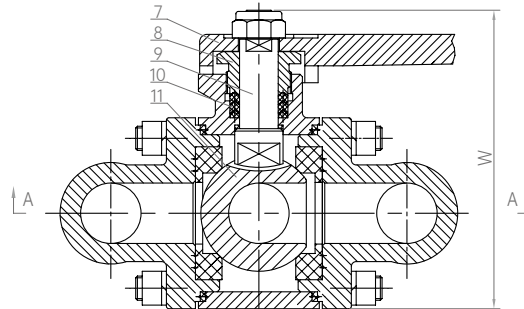
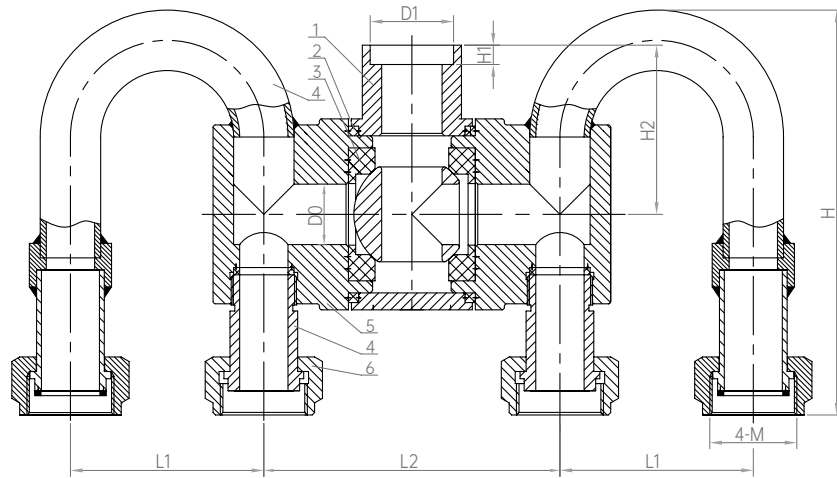
Model No.	Specifications & Dimensions (mm)										Weight(kg)
	H	H1	H2	W	D0	D1	D2	L1	L2	M	
DQS-25C	191.5	108.5	20	123.5	Ø25	Ø25	Ø32	102	122.5	M36×2	6.4
DQS-25C1	191.5	108.5	20	123.5	Ø25	Ø25	Ø32	80	122.5	M36×2	6.3



Cryogenic Diverter Valve

Parameters

PN: 4.0MPa
DN: Ø25
Design Temp.: -196°C ~+80°C
Media: LNG, LO₂, LN₂, LAR, CO₂



This kind of product has certified by CE, EAC, TS and CCS
Standards: GB/T 24925, EN1626:2008, TR CU 032/2013

Materials

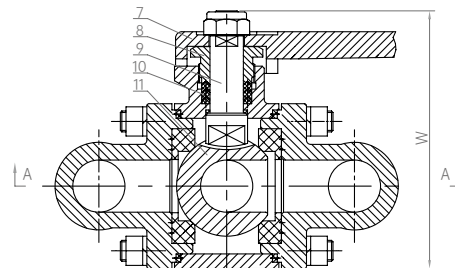
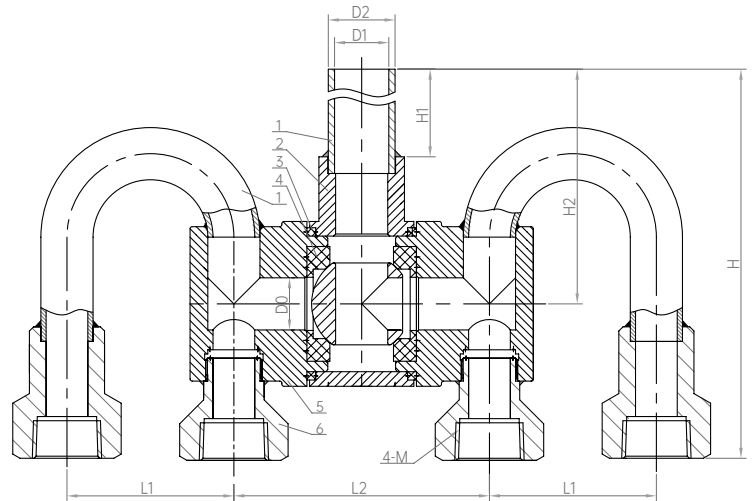
1	Body	CF8	5	Bonnet	CF8	9	Stem	S30408
2	Washer	PTFE	6	Nut	HPb59-1	10	Gasket	PTFE
3	Ball Lining	PTFE+C	7	Hand Lever	CF8	11	Ball	S30408
4	Pipe	S30408	8	Gland Nut	HPb59-1			

Model No.	Specifications & Dimensions (mm)									Weight(kg)
	H	H1	H2	W	D0	D1	L1	L2	M	
DQS-25C4	172	8	70.5	123.5	Ø25	Ø34.5	80	122.5	M36×2	6.2

Cryogenic Diverter Valve

Parameters

PN: 4.0MPa
DN: Ø25
Design Temp.: -196°C ~+80°C
Media: LNG, LO₂, LN₂, LAr, CO₂



This kind of product has certified by CE, EAC, TS and CCS
Standards: GB/T 24925, EN1626:2008, TR CU 032/2013

Materials

1	Pipe	S30408	5	Bonnet	CF8	9	Stem	S30408
2	Body	CF8	6	Adaptor	S30408	10	Gasket	PTFE
3	Washer	PTFE	7	Hand Lever	CF8	11	Ball	S30408
4	Ball Lining	PTFE+C	8	Gland Nut	HPb59-1			

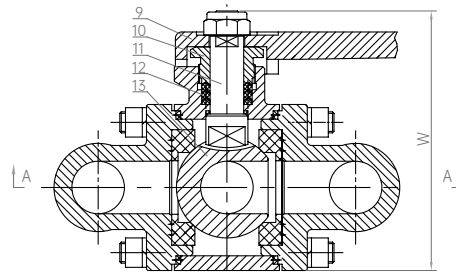
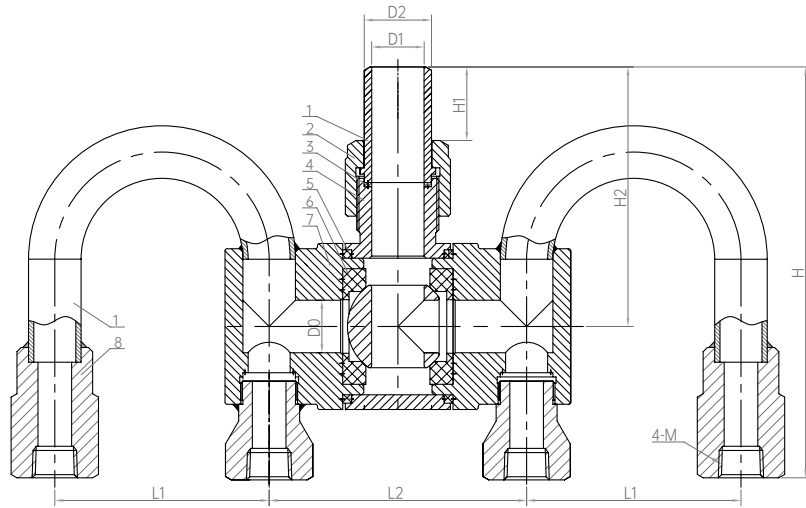
Model No.	Specifications & Dimensions (mm)										Weight(kg)
	H	H1	H2	W	D0	D1	D2	L1	L2	M	
DQS-25C5	235.5	92	162.5	123.5	Ø25	Ø26	Ø32	102	122.5	NPT 3/4	6.2
DQS-25C7	235.5	92	162.5	123.5	Ø25	Ø26	Ø32	102	122.5	NPT 1	6.4



Cryogenic Diverter Valve

Parameters

PN: 4.0MPa
DN: Ø25
Design Temp.: -196°C ~+80°C
Media: LNG, LO₂, LN₂, LAr, CO₂



This kind of product has certified by CE, EAC, TS and CCS
Standards: GB/T 24925, EN1626:2008, TR CU 032/2013

Materials

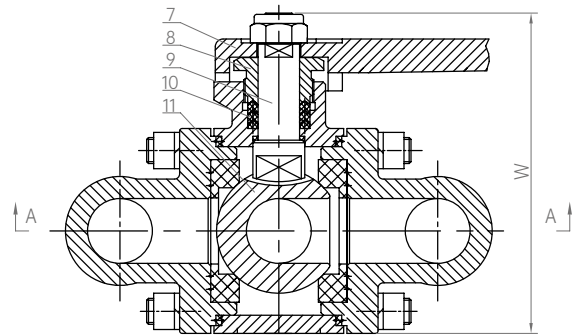
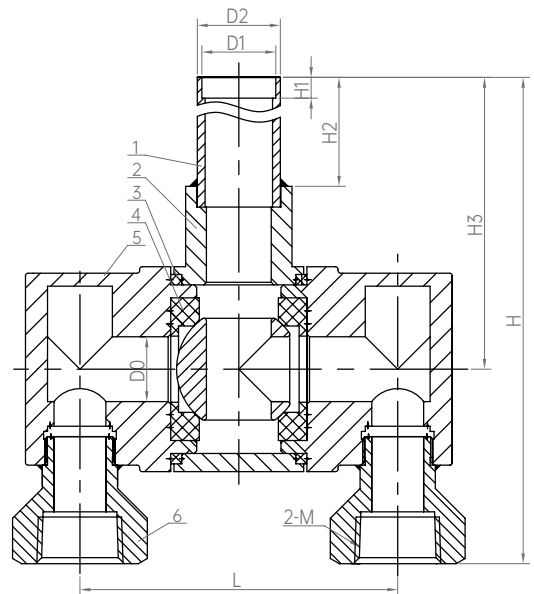
1	Pipe	S30408	6	Ball Lining	PTFE+C	11	Stem	S30408
2	Nut	HPb59-1	7	Bonnet	CF8	12	Gasket	PTFE
3	Washer	PTFE	8	Adaptor	S30408	13	Ball	S30408
4	Body	CF8	9	Hand Lever	CF8			
5	Gasket	PTFE	10	Gland Nut	HPb59-1			

Model No.	Specifications & Dimensions (mm)										Weight(kg)
	H	H1	H2	W	D0	D1	D2	L1	L2	M	
DQS-25C6	196.5	35	123.5	123.5	Ø25	Ø25	Ø32	102	122.5	NPT 1/2	6.4

Cryogenic Diverter Valve

Parameters

PN: 4.0MPa
DN: Ø25
Design Temp.: -196°C ~+80°C
Media: LNG, LO₂, LN₂, LAr, CO₂



This kind of product has certified by CE, EAC, TS and CCS
Standards: GB/T 24925, EN1626:2008, TR CU 032/2013

Materials

1 Pipe	S30408	5 Bonnet	CF8	9 Stem	S30408
2 Body	CF8	6 Adaptor	S30408	10 Gasket	PTFE
3 Washer	PTFE	7 Hand Lever	CF8	11 Ball	S30408
4 Ball Lining	PTFE+C	8 Gland Nut	HPb59-1		

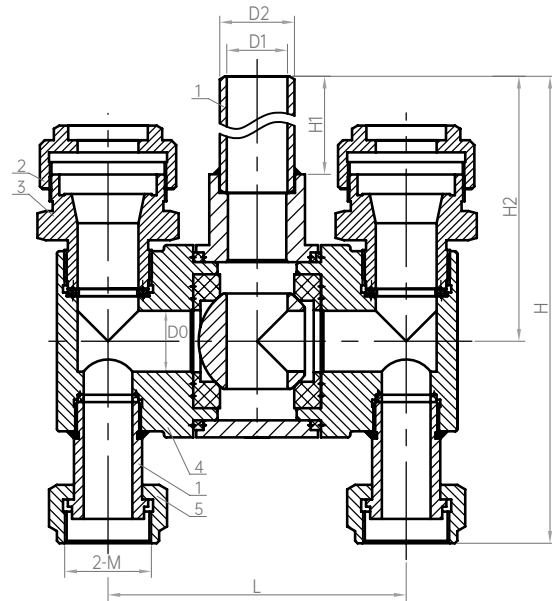
Model No.	Specifications & Dimensions (mm)										Weight(kg)
	H	H1	H2	H3	W	D0	D1	D2	L	M	
DQS-25C8	235.5	--	92	162.5	123.5	Ø25	Ø26	Ø32	122.5	NPT 1	
DQS-25C9	235.5	--	92	162.5	123.5	Ø25	Ø26	Ø32	122.5	NPT 3/4	
DQS-25C10	235.5	8	92	162.5	123.5	Ø25	Ø28.5	Ø32	122.5	NPT 3/4	
DQS-25C11	235.5	--	92	162.5	123.5	Ø25	Ø26	Ø32	122.5	NPT 1/2	



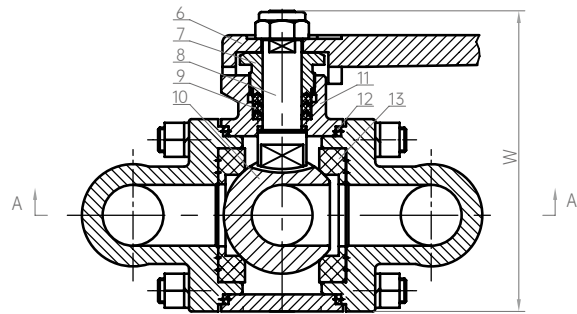
Cryogenic Diverter Valve

Parameters

PN: 4.0MPa
DN: Ø25
Design Temp.: -196°C ~+80°C
Media: LNG, LO₂, LN₂, LAr, CO₂



This kind of product has certified by CE, EAC, TS and CCS
Standards: GB/T 24925, EN1626:2008, TR CU 032/2013



Materials

1	Pipe	S30408	6	Hand Lever	CF8	11	Body	CF8
2	Nut	S30408	7	Gland Nut	HPb59-1	12	Washer	PTFE
3	Adaptor	HPb59-1	8	Stem	S30408	13	Ball Lining	PTFE+C
4	Bonnet	CF8	9	Gasket	PTFE			
5	Nut	HPb59-1	10	Ball	S30408			

Model No.	Specifications & Dimensions (mm)									Weight(kg)
	H	H1	H2	W	D0	D1	D2	L	M	
DQS-25C13	198	45	115	123.5	Ø25	Ø25	Ø32	122.5	M36×2	

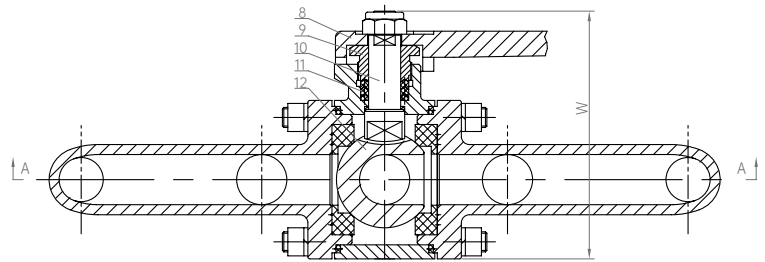
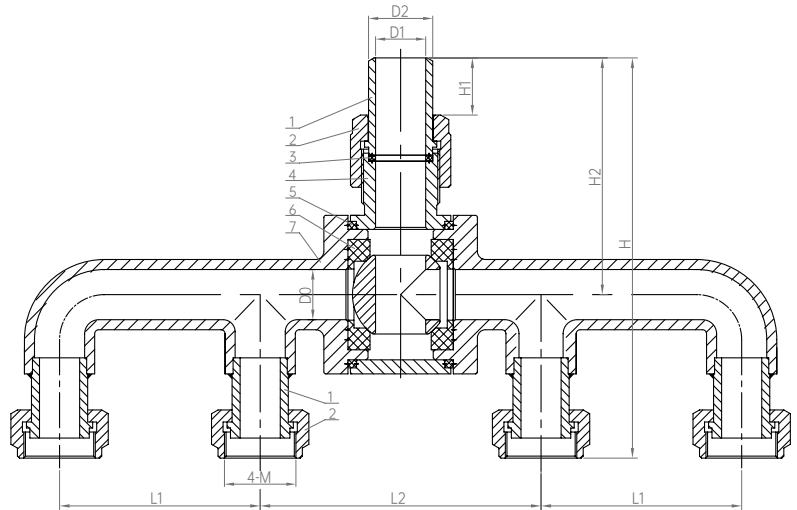
Cryogenic Diverter Valve

Parameters

PN: 4.0MPa
DN: Ø25
Design Temp.: -196°C ~+80°C
Media: LNG, LO₂, LN₂, LAr, CO₂



This kind of product has certified by CE, EAC, TS and CCS
Standards: GB/T 24925, EN1626:2008, TR CU 032/2013



Materials

1	Pipe	S30408	5	Washer	PTFE	9	Gland Nut	HPb59-1
2	Nut	HPb59-1	6	Ball Lining	PTFE+C	10	Stem	S30408
3	Gasket	PTFE	7	Bonnet	CF8	11	Gasket	PTFE
4	Body	CF8	8	Hand Lever	CF8	12	Ball	S30408

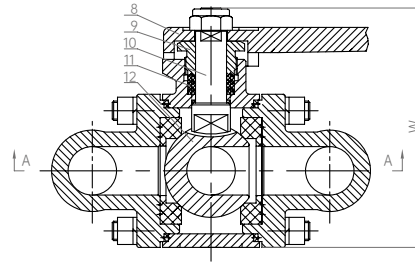
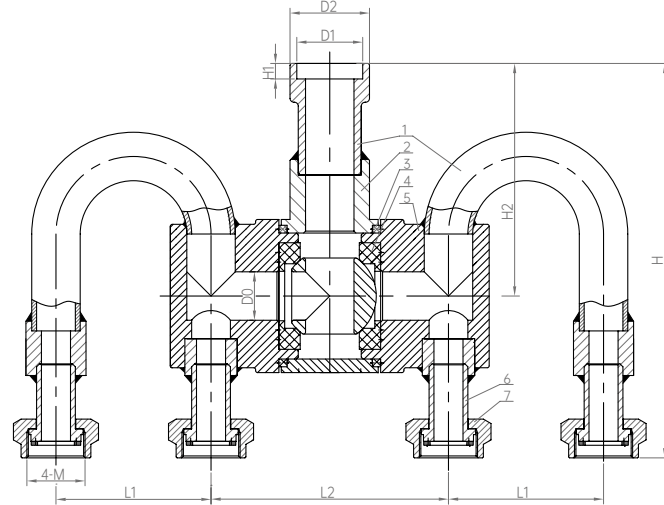
Model No.	Specifications & Dimensions (mm)										Weight(kg)
	H	H1	H2	W	D0	D1	D2	L1	L2	M	
DQS-25S2	199.5	28.5	118	123.5	Ø25	Ø25	Ø32	100	140	M36×2	2.7



Cryogenic Diverter Valve

Parameters

PN: 4.0MPa
DN: Ø25
Design Temp.: -196°C ~+80°C
Media: LNG. LO₂. LN₂. LAr. CO₂



This kind of product has certified by CE, EAC, TS and CCS
Standards: GB/T 24925, EN1626:2008, TR CU 032/2013

Materials

1	Pipe	S30408	5	Bonnet	CF8	9	Gland Nut	HPb59-1
2	Body	CF8	6	Pipe	S30408	10	Stem	S30408
3	Washer	PTFE	7	Nut	HPb59-1	11	Gasket	PTFE
4	Ball Lining	PTFE+C	8	Hand Lever	CF8	12	Ball	S30408

Model No.	Specifications & Dimensions (mm)										Weight(kg)
	H	H1	H2	D0	D1	D2	L1	L2	W	M	
DQS-25W	203.5	8	120	Ø25	Ø34	Ø41	80	122.5	123.5	M30×1.5	

Cryogenic Diverter Valve

Parameters

PN: 4.0MPa

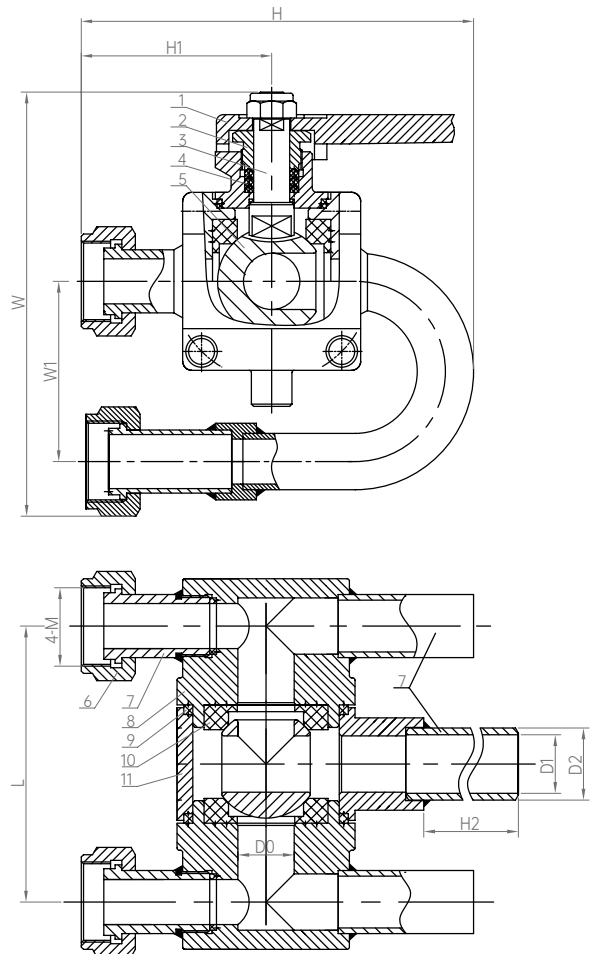
DN: Ø25

Design Temp.: -196°C ~+80°C

Media: LNG, LO₂, LN₂, LAr, CO₂



This kind of product has certified by CE, EAC, TS and CCS
Standards: GB/T 24925, EN1626:2008, TR CU 032/2013



Materials

1	Hand Lever	CF8	5	Ball	S30408	9	Washer	PTFE
2	Gland Nut	HPb59-1	6	Nut	HPb59-1	10	Ball Lining	PTFE+C
3	Stem	S30408	7	Pipe	S30408	11	Body	CF8
4	Gasket	PTFE	8	Bonnet	CF8			

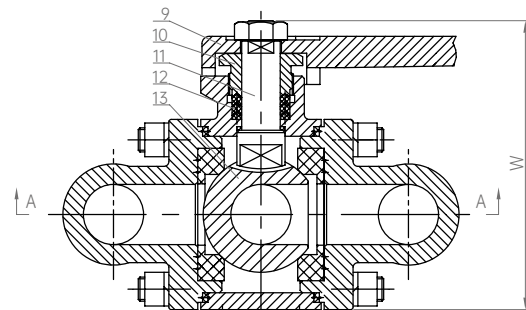
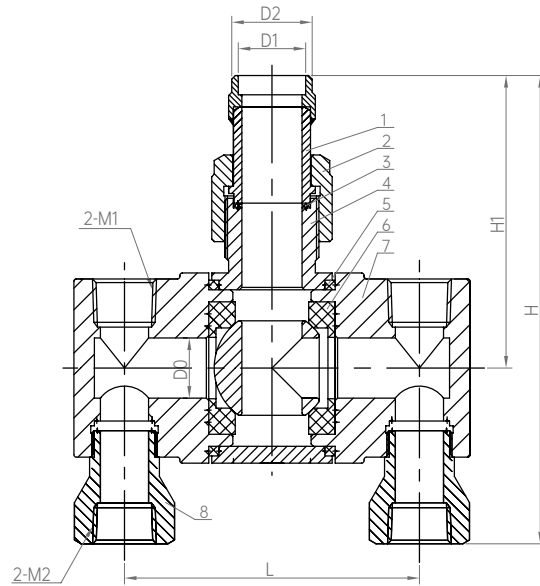
Model No.	Specifications & Dimensions (mm)										Weight (kg)
	H	H1	H2	W	W1	D0	D1	D2	L	M	
DQS-25W3	172	84.5	92	188	80	Ø25	Ø26	Ø32	122.5	M36×2	6.2



Cryogenic Diverter Valve

Parameters

PN: 4.0MPa
DN: Ø25
Design Temp.: -196°C ~+80°C
Media: LNG. LO₂. LN₂. LAr. CO₂



This kind of product has certified by CE, EAC, TS and CCS
Standards: GB/T 24925, EN1626:2008, TR CU 032/2013

Materials

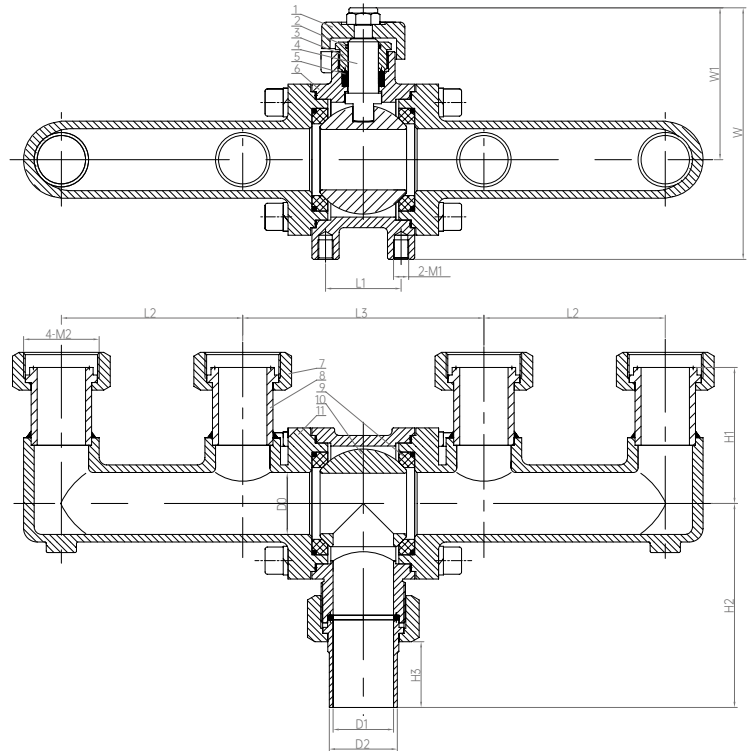
1	Pipe	S30408	6	Ball Lining	PTFE+C	11	Stem	S30408
2	Nut	HPb59-1	7	Bonnet	CF8	12	Gasket	PTFE
3	Gasket	PTFE	8	Adaptor	S30408	13	Ball	S30408
4	Body	CF8	9	Hand Lever	CF8			
5	Washer	PTFE	10	Gland Nut	HPb59-1			

Model No.	Specifications & Dimensions (mm)									Weight(kg)
	H	H1	D0	D1	D2	L	W	M1	M2	
DQS-25Y2	194.5	121.5	Ø25	Ø28	Ø33.4	122.5	123.5	NPT3/4	NPT3/4	5.2
DQS-25Y3	196.5	121.5	Ø25	Ø28	Ø33.4	122.5	123.5	NPT3/4	NPT 1	5.2

Cryogenic Diverter Valve

Parameters

PN: 4.0MPa
DN: Ø40
Design Temp.: -196°C ~+80°C
Media: LNG, LO₂, LN₂, LAr, CO₂



This kind of product has certified by CE, EAC, TS and CCS
Standards: GB/T 24925, EN1626:2008, TR CU 032/2013

Materials

1 Hand Lever	CF8	5 Gasket	PTFE	9 Ball Lining	PTFE+C
2 O Ring	Fluororubber	6 Body	CF8	10 Ball	S30408
3 Gland Nut	HPb59-1	7 Nut	HPb59-1	11 Bonnet	CF8
4 Stem	S30408	8 Pipe	S30408		

Model No.	Specifications & Dimensions (mm)													Weight(kg)
	W	W1	L1	L2	L3	H1	H2	H3	D0	D1	D2	M1	M2	
DQS-40.001	166.5	101	50	120	160	90	135	43.5	Ø40	Ø40	Ø45	M10×1.5	M50×2	11



Cryogenic Diverter Valve

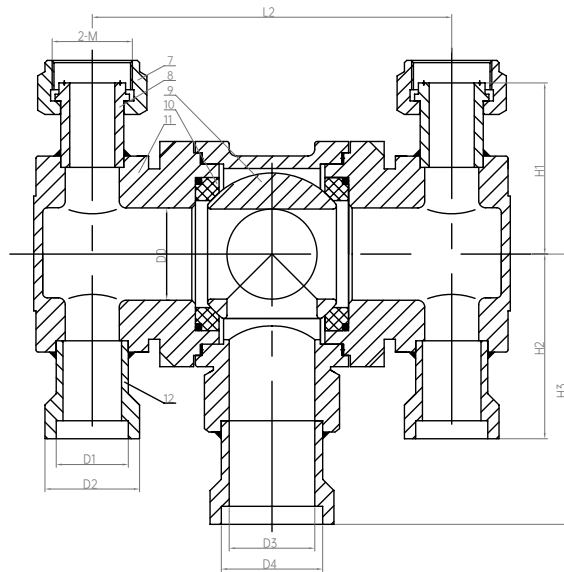
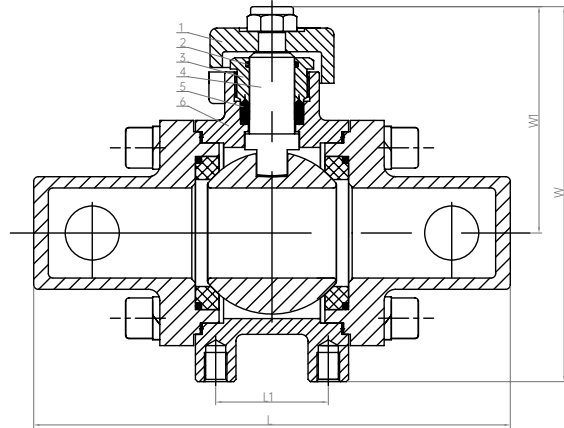
Parameters

PN: 4.0MPa

DN: Ø40

Design Temp.: -196°C ~+80°C

Media: LNG, LO₂, LN₂, LAr, CO₂



This kind of product has certified by CE, EAC, TS and CCS
Standards: GB/T 24925, EN1626:2008, TR CU 032/2013

Materials

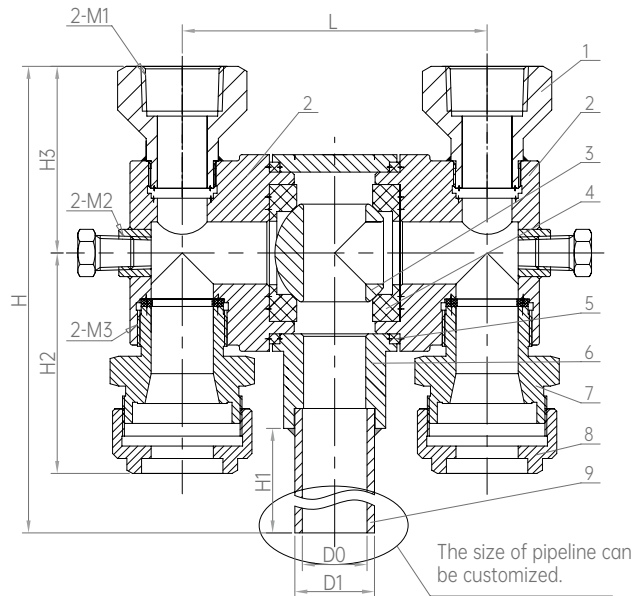
1	Hand Lever	CF8	5	Gasket	PTFE	9	Ball	S30408
2	O Ring	Fluororubber	6	Body	CF8	10	Ball Lining	PTFE+C
3	Gland Nut	HPb59-1	7	Nut	HPb59-1	11	Bonnet	CF8
4	Stem	S30408	8	Pipe	S30408	12	Adaptor	S30408

Model No.	Specifications & Dimensions (mm)														Weight(kg)
	W	W1	L	L1	L2	H1	H2	H3	D0	D1	D2	D3	D4	M	
DQS-40A	166.5	101	212	50	160	76	82	160	Ø40	Ø32	Ø42	Ø38	Ø45	M36×2	

Cryogenic Diverter Valve

Parameters

PN: 4.0MPa
DN: Ø15~Ø25
Design Temp.: -196°C ~+80°C
Media: LNG. LO₂. LN₂. LAr. CO₂



This kind of product has certified by CE, EAC, TS and CCS
Standards: GB/T 24925, EN1626:2008, TR CU 032

Materials

1	Adaptor	S30408	4	Ball Lining	PTFE+C	7	Adaptor	C36000
2	Bonnet	CF8	5	Gasket	PTFE	8	Nut	S30408
3	Ball	S30408	6	Body	CF8	9	Pipe	S30408

Remarks: The opening of hand wheel at any position will ensure the full flow of valve.

Model No.	Specifications & Dimensions (mm)											Weight(kg)
	H	H1	H2	H3	L	D0	D1	M1	M2	M3	Cv	
DQS-15.98	147.5	45	75	51.5	113	15	Ø18	NPT 1/2	NPT 1/4	NPT 1/2	7.1	
DQS-25.98	208	45	87	75	122.5	25	Ø32	NPT 1	NPT 1/4	M36×2	21	

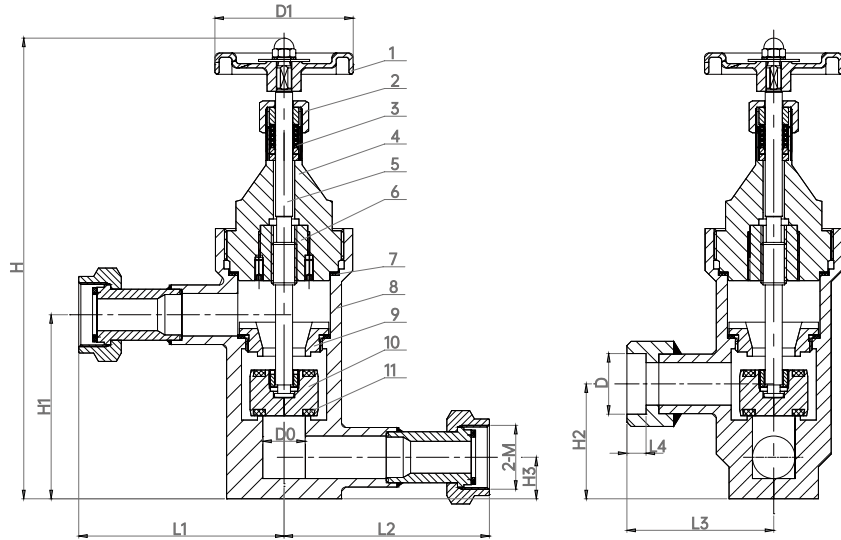


Cryogenic Three-way Globe Valve

Parameters

PN: 4.0MPa
DN: Ø15
Design Temp.: -196°C ~+80°C
Media: LNG, LO₂, LN₂, LAr, CO₂

Connection :
Socket Weld / Thread Connection



This kind of product has certified by EAC
Standards: GB/T 24925, TR CU 032/2013

Materials

1	Hand Wheel	Y102	5	Stem	S30408	9	Upper Sealing Seat	HPb59-1
2	Gland Nut	S30408	6	Bushing	HPb59-1	10	Disc	HPb59-1
3	Washer	PTFE	7	Gasket	PTFE	11	Gasket	PTFE
4	Bonnet	CF8	8	Body	CF8			

Model No.	Specifications & Dimensions (mm)											Weight(kg)
	H	H1	H2	H3	L1	L2	L3	M	D	D0	D1	
DJS-15	216.5	86.5	54	19.5	96.5	96.5	9	M30×1.5	28.5	18	65	

Cryogenic Three-way Globe Valve

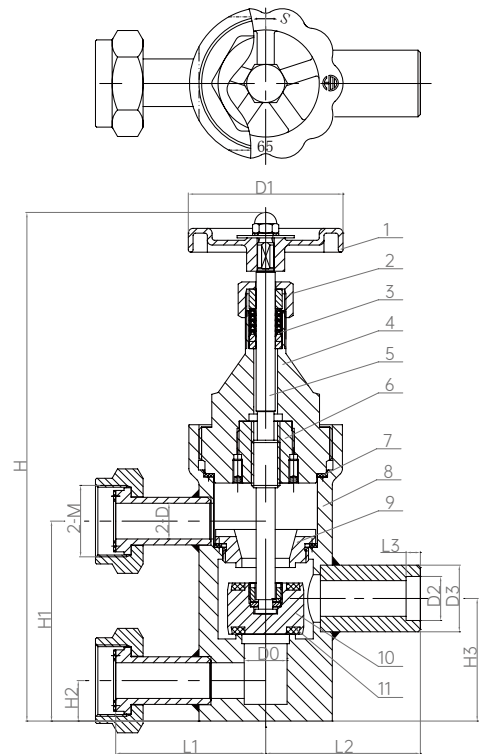
Parameters

PN: 4.0MPa
DN: Ø15
Design Temp.: -196°C ~+80°C
Media: LNG, LO₂, LN₂, LAr, CO₂

Connection:
Socket Weld / Thread Connection



This kind of product has certified by EAC
Standards: GB/T 24925, TR CU 032/2013



Materials

1	Hand Wheel	Y102	5	Stem	S30408	9	Upper Sealing Seat	HPb59-1
2	Gland Nut	S30408	6	Bushing	HPb59-1	10	Disc	HPb59-1
3	Washer	PTFE	7	Gasket	PTFE	11	Gasket	PTFE
4	Bonnet	CF8	8	Body	CF8			

Model No.	Specifications & Dimensions (mm)													Weight(kg)
	H	H1	H2	H3	L1	L2	L3	M	D	D0	D1	D2	D3	
DJS-15C	214	84	17	51.5	63	65	8	M30×1.5	15	18	65	18.5	28	



Cryogenic Three-way Globe Valve

Parameters

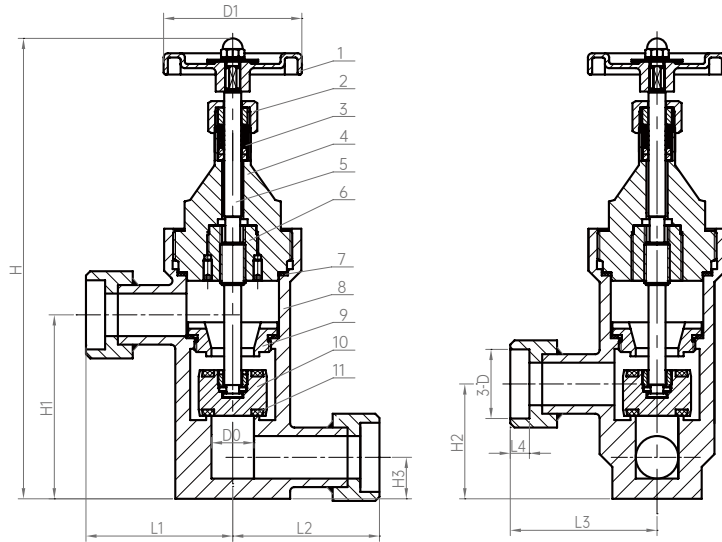
PN: 4.0MPa

DN: Ø25

Design Temp.: -196°C ~+80°C

Media: LNG, LO₂, LN₂, LAr, CO₂

Connection : Socket Weld



This kind of product has certified by EAC
Standards: GB/T 24925, TR CU 032/2013

Materials

1	Hand Wheel	Y102	5	Stem	S30408	9	Upper Sealing Seat	HPb59-1
2	Gland Nut	S30408	6	Bushing	HPb59-1	10	Disc	HPb59-1
3	Washer	PTFE	7	Gasket	PTFE	11	Gasket	PTFE
4	Bonnet	CF8	8	Body	CF8			

Model No.	Specifications & Dimensions (mm)											Weight(kg)
	H	H1	H2	H3	L1	L2	L3	L4	D0	D	D1	
DJS-25A	216.5	86.5	54	19.5	69	69	69	9	18	28.5	65	
DJS-25A1	216.5	86.5	54	19.5	69	69	69	9	18	32.5	65	

Cryogenic Three-way Globe Valve

Parameters

PN: 4.0MPa

DN: Ø25

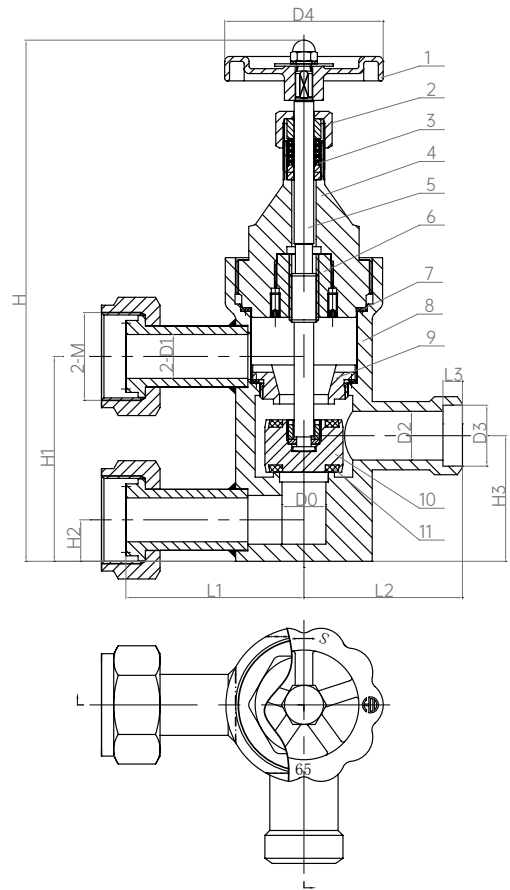
Design Temp.: -196°C ~+80°C

Media: LNG, LO₂, LN₂, LAr, CO₂

Connection : Socket Weld



This kind of product has certified by EAC
Standards: GB/T 24925, TR CU 032/2013



Materials

1	Hand Wheel	Y102	5	Stem	S30408	9	Upper Sealing Seat	HPb59-1
2	Gland Nut	S30408	6	Bushing	HPb59-1	10	Disc	HPb59-1
3	Washer	PTFE	7	Gasket	PTFE	11	Gasket	PTFE
4	Bonnet	CF8	8	Body	CF8			

Model No.	Specifications & Dimensions (mm)													Weight(kg)
	H	H1	H2	H3	L1	L2	L3	M	D0	D1	D2	D3	D4	
DJS-25B	214	84	17	51.5	73	65	8	M36×2	18	18	20	25.5	65	

Safety Valve

www.baituvalves.com

BAITU CRYOGENIC VALVE



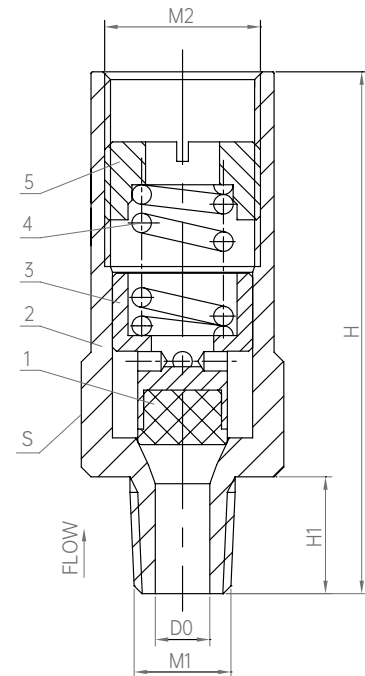
Cryogenic Relief Valve

Parameters

PN: 4.0MPa
DN: Ø8
Design Temp.: -196°C ~+85°C
Media: LNG, LO₂, LN₂, LAr, CO₂
Flow Coefficient: 0.3



This kind of product has certified by CE, EAC, TS, ECE R110
Standards: GB/T 29026, EN13648:2008, TR CU 032/2013



Materials

- | | | |
|---|---------------|---------|
| 1 | Gasket | PFA |
| 2 | Body | HPb59-1 |
| 3 | Gate | HPb59-1 |
| 4 | Spring | S30210 |
| 5 | Adjusting Nut | HPb59-1 |

Model No.	Specifications & Dimensions (mm)						Set Pressure (Mpa)	Weight(kg)
	H	H1	D0	S	M1	M2		
DA-08C	70	15	Ø7	24	NPT 1/4	M20×1.5	0.4 ~ 1.0	0.2
DA-08C1	70	15	Ø7	24	NPT 1/4	M20×1.5	1.01 ~ 1.76	0.2
DA-08C2	70	15	Ø7	24	NPT 1/4	M20×1.5	1.77 ~ 2.4	0.2
DA-08C3	70	15	Ø7	24	NPT 1/4	M20×1.5	2.41 ~ 2.76	0.2
DA-08C5	70	15	Ø7	24	NPT 1/4	M20×1.5	2.77 ~ 4.0	0.2



Cryogenic Relief Valve

Parameters

PN: 4.0MPa

DN: Ø8

Design Temp.: -196°C ~+85°C

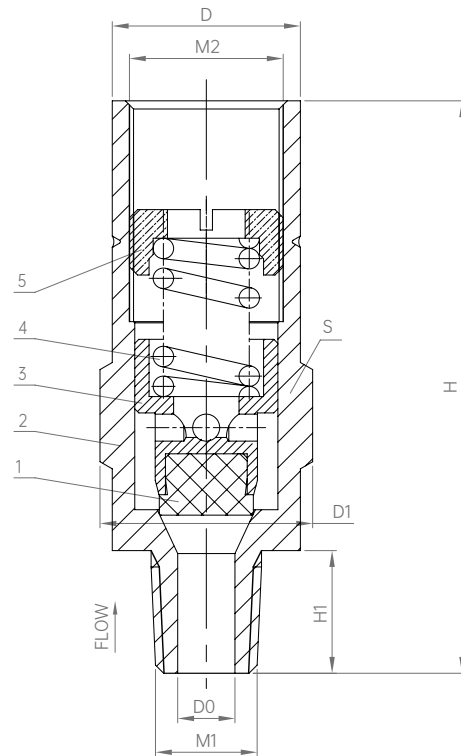
Media: LNG, LO₂, LN₂, LAr, CO₂

Flow Coefficient: 0.3



This kind of product has certified by CE,EAC,TS, ECE R110

Standards: GB/T 29026,EN13648:2008,TR CU 032/2013



Materials

- | | | |
|---|---------------|---------|
| 1 | Gasket | PFA |
| 2 | Body | HPb59-1 |
| 3 | Gate | HPb59-1 |
| 4 | Spring | S30210 |
| 5 | Adjusting Nut | HPb59-1 |

Model No.	Specifications & Dimensions (mm)						Set Pressure (Mpa)	Weight(kg)
	H	H1	D0	S	M1	M2		
DA-08F	70	15	Ø7	24	NPT 1/4	3/4-20UNEF	0.4 ~ 1.0	0.2
DA-08F1	70	15	Ø7	24	NPT 1/4	3/4-20UNEF	1.01 ~ 1.76	0.2
DA-08F2	70	15	Ø7	24	NPT 1/4	3/4-20UNEF	1.77 ~ 2.4	0.2
DA-08F3	70	15	Ø7	24	NPT 1/4	3/4-20UNEF	2.41 ~ 2.76	0.2
DA-08F5	70	15	Ø7	24	NPT 1/4	3/4-20UNEF	2.77 ~ 4.0	0.2

Cryogenic Relief Valve

Parameters

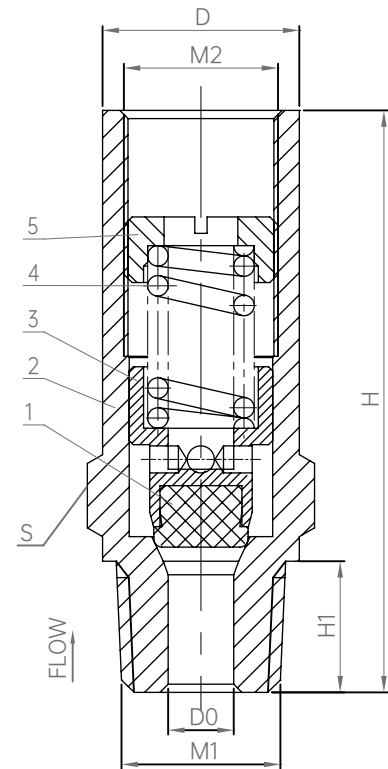
PN: 4.0MPa
DN: Ø8
Design Temp.: -196°C ~ +85°C
Media: LNG, LO₂, LN₂, LAr, CO₂
Flow Coefficient: 0.3



This kind of product has certified by CE, EAC, TS, ECE R110
Standards: GB/T 29026, EN13648:2008, TR CU 032/2013

Materials

1	Gasket	PFA
2	Body	HPb59-1
3	Gate	HPb59-1
4	Spring	S30210
5	Adjusting Nut	HPb59-1



Model No.	Specifications & Dimensions (mm)						Set Pressure (Mpa)	Weight(kg)
	H	H1	D0	S	M1	M2		
DA-08G	71	16	Ø8	24	NPT 1/2	3/4-20UNEF	0.4 ~ 1.0	0.1
DA-08G1	71	16	Ø8	24	NPT 1/2	3/4-20UNEF	1.01 ~ 1.76	0.1
DA-08G2	71	16	Ø8	24	NPT 1/2	3/4-20UNEF	1.77 ~ 2.4	0.1
DA-08G3	71	16	Ø8	24	NPT 1/2	3/4-20UNEF	2.41 ~ 2.76	0.1
DA-08G5	71	16	Ø8	24	NPT 1/2	3/4-20UNEF	2.77 ~ 4.0	0.1



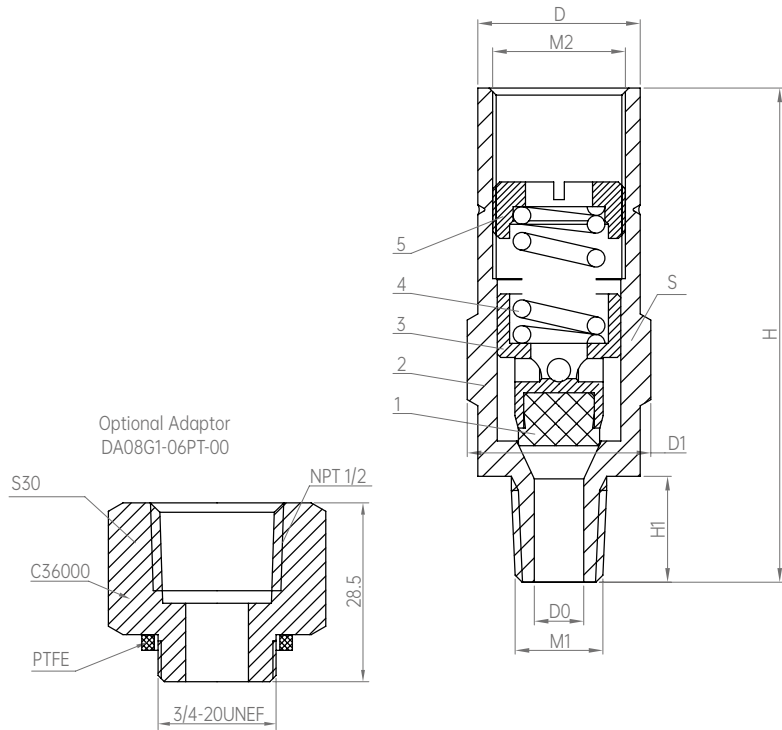
Cryogenic Relief Valve

Parameters

DN: Ø8
Design Temp.: -196°C ~+80°C
Media: LNG. LO₂. LN₂. LAr. CO₂



This kind of product has certified by CE, EAC, TS and CCS
Standards: GB/T 29026, EN13648:2008, TR CU 032/2013



Materials

- | | | | | | |
|---|--------|--------|---|---------------|--------|
| 1 | Gasket | PFA | 4 | Spring | S30210 |
| 2 | Body | C36000 | 5 | Adjusting Nut | C36000 |
| 3 | Disc | C36000 | | | |

Remarks: **DA-08G.99.xxx**

Set pressure (bar)

Model No.	Specifications & Dimensions (mm)							Nominal pressure (Mpa)	Set pressure (Mpa)	Weight(kg)
	H	H1	D0	D1	S	M1	M2			
DA-08.99.xxx	70	15	Ø7	Ø26	24	NPT1/4	3/4-20UNEF	4.0	0.4 ~ 4.0	0.2
DA-08G.99.xxx	71	16	Ø8	Ø26	24	NPT1/4	3/4-20UNEF	4.0	0.4 ~ 4.0	0.2

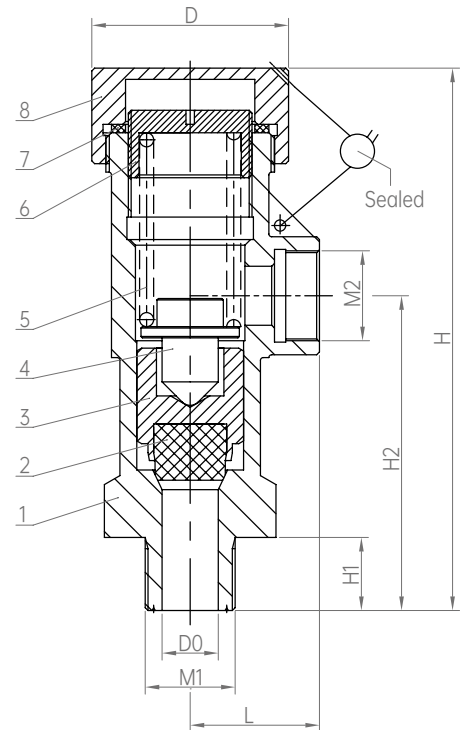
Cryogenic Safety Valve

Parameters

PN: 4.0MPa
DN: Ø10
Design Temp.: -196°C ~+80°C
Media: LNG, LO₂, LN₂, LAr, CO₂
Flow Coefficient: 0.29



This kind of product has certified by CE, EAC, TS and CCS
Standards: GB/T 29026, EN13648:2008, TR CU 032/2013



Materials

1	Body	CF8	5	Spring	S30210
2	Gasket	PTFE+MoS2	6	Adjusting Nut	HPb59-1
3	Disc	HPb59-1	7	Gasket	PTFE
4	Spring Seat	HPb59-1	8	Cover	S30408

Model No.	Specifications & Dimensions (mm)								Set Pressure (MPa)	Weight(kg)
	H	H1	H2	D0	D	L	M1	M2		
DA-10									1.01 ~ 1.9	0.7
DA-10A	96	13	56	Ø10	Ø35	23	M16x1	M16x1	0.31 ~ 1.0	0.7
DA-10C2									1.91 ~ 3.5	0.7



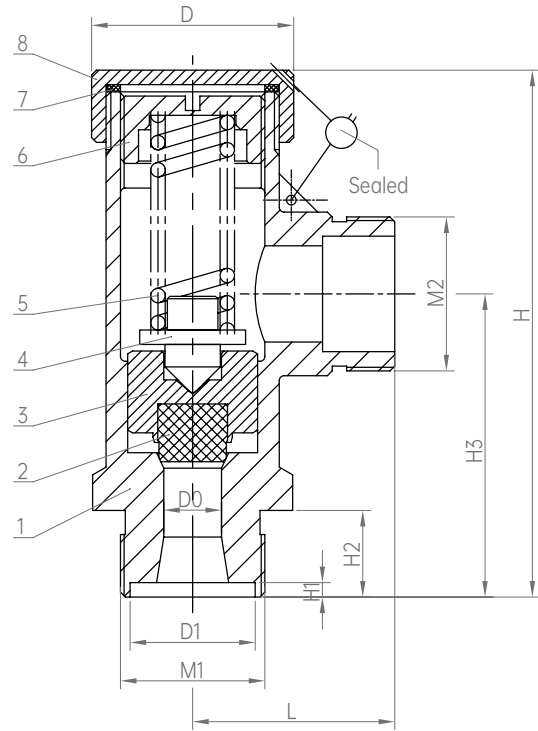
Cryogenic Safety Valve

Parameters

PN: 4.0MPa
DN: Ø15
Design Temp.: -196°C ~+80°C
Media: LNG, LO₂, LN₂, LAr, CO₂
Flow Coefficient: 0.29



This kind of product has certified by CE, EAC, TS and CCS
Standards: GB/T 29026, EN13648:2008, TR CU 032/2013



Materials

1	Body	CF8	5	Spring	S30210
2	Gasket	PTFE+MoS2	6	Adjusting Nut	HPb59-1
3	Disc	HPb59-1	7	Gasket	PTFE
4	Spring Seat	HPb59-1	8	Cover	S30408

Model No.	Specifications & Dimensions (mm)										Set Pressure (MPa)	Weight(kg)
	H	H1	H2	H3	M1	M2	L	D	D0	D1		
DA-15	109	3	18	63	M30x1.5	M32x1.5	42	Ø42	Ø12	Ø26	1.21 ~ 2.0	0.9
DA-15A											0.4 ~ 1.2	0.9
DA-15A1											0.25 ~ 0.39	0.9
DA-15A3											2.01 ~ 3.5	0.9

Cryogenic Safety Valve

Parameters

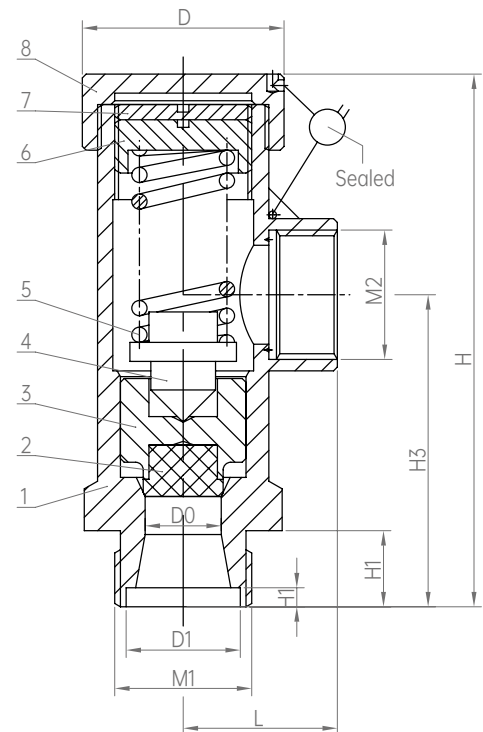
PN: 4.0MPa
DN: Ø25
Design Temp.: -196°C ~+80°C
Media: LNG, LO₂, LN₂, LAr, CO₂
Flow Coefficient: 0.29



This kind of product has certified by CE, EAC, TS and CCS
Standards: GB/T 29026, EN13648:2008, TR CU 032/2013

Materials

1	Body	CF8	5	Spring	S30210
2	Gasket	PTFE+MoS2	6	Adjusting Nut	HPb59-1
3	Disc	HPb59-1	7	Gasket	HPb59-1
4	Spring Seat	HPb59-1	8	Cover	S30408



Model No.	Specifications & Dimensions (mm)										Set Pressure (MPa)	Weight(kg)
	H	H1	H2	H3	M1	M2	L	D	D0	D1		
DA-25	141	5	20	82	M36x2	M33x2	40.5	Ø53	Ø25	Ø30	0.95 ~ 2.1	1.3
DA-25A											0.4 ~ 0.94	1.3
DA-25A2											2.11 ~ 2.59	1.3
DA-25A3											2.60 ~ 3.76	1.3
DA-25A4											0.2 ~ 0.33	1.3



DA22F-40P

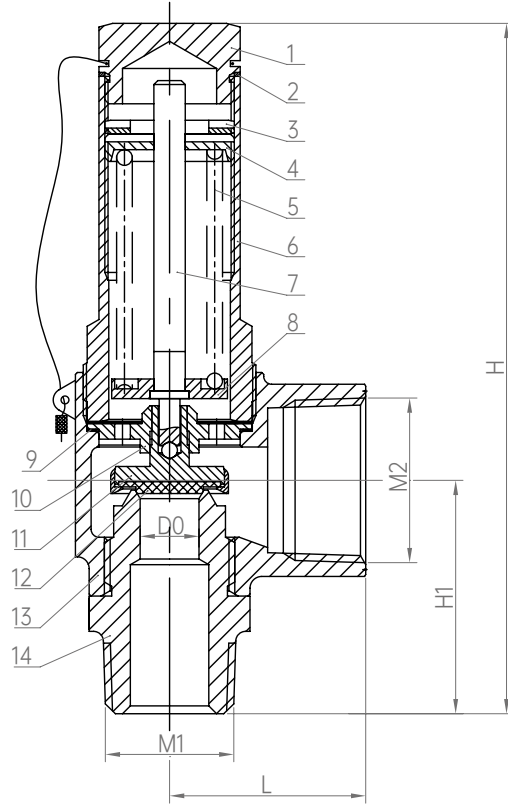
Cryogenic Safety Valve

Parameters

PN: 4.0MPa
Design Temp.: -196°C ~+80°C
Media: LNG, LO₂, LN₂, LAr, CO₂
Flow Coefficient: 0.66



This kind of product has certified by CE, EAC, TS and CCS
Standards: GB/T 29026, EN13648:2008, TR CU 032/2013



Materials

1	Dust Cover	HPb59-1	6	Bonnet	CF8	11	Disc	HPb59-1
2	Upper Gasket	T2	7	Stem	HPb59-1	12	Gasket	PTFE+C
3	Lock Nut	HPb59-1	8	Spring Bottom Pad	HPb59-1	13	Body	CF8
4	Adjusting Nut	HPb59-1	9	Sealing	T2	14	Valve Seat	HPb59-1
5	Spring	S30210	10	Gland Ring	HPb59-1			

Model No.	Specifications & Dimensions (mm)							Set Pressure (MPa)	Weight(kg)
	H	H1	H2	H3	M1	M2	DN		
DA22F-40P(15B)	154.5	49.5	Ø10.5	42.5	NPT 1/2	NPT 1	Ø15	0.4 ~ 1.59	0.8
1.60 ~ 2.7								0.8	
2.71 ~ 3.5								0.8	
DA22F-40P(20B)	157	52	Ø10.5	42.5	NPT 3/4	NPT 1	Ø20	0.4 ~ 1.59	0.9
1.60 ~ 2.7								0.9	
2.71 ~ 3.5								0.9	
DA22F-40P(25B)	181	64.5	Ø15	50	NPT 1	NPT 1 1/4	Ø25	0.4 ~ 1.59	1.3
1.60 ~ 2.7								1.3	
2.71 ~ 3.5								1.3	

DA22F-40P

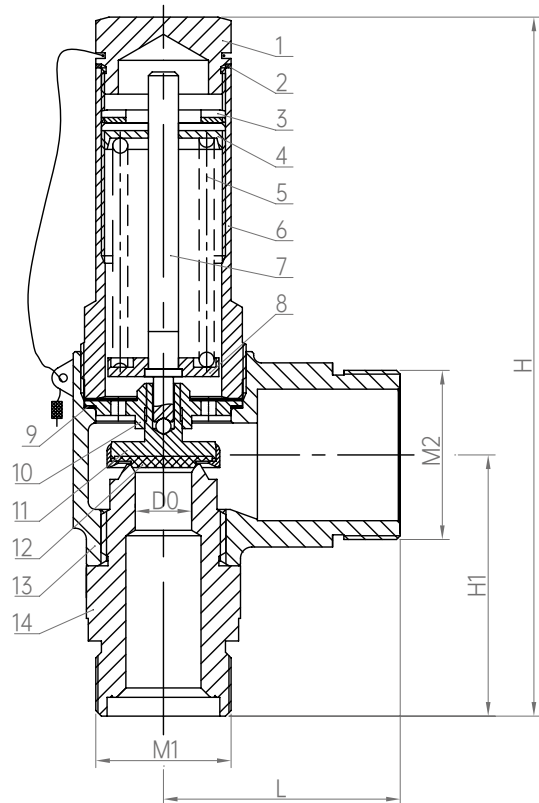
Cryogenic Safety Valve

Parameters

PN: 4.0MPa
 Design Temp.: -196°C ~+80°C
 Media: LNG. LO₂. LN₂. LAr. CO₂
 Flow Coefficient: 0.66



This kind of product has certified by CE, EAC, TS and CCS
 Standards: GB/T 29026, EN13648:2008, TR CU 032/2013



Materials

1	Dust Cover	HPb59-1	6	Bonnet	CF8	11	Disc	HPb59-1
2	Upper Gasket	T2	7	Stem	HPb59-1	12	Gasket	PTFE+C
3	Lock Nut	HPb59-1	8	Spring Bottom Pad	HPb59-1	13	Body	CF8
4	Adjusting Nut	HPb59-1	9	Sealing	T2	14	Valve Seat	HPb59-1
5	Spring	S30210	10	Gland Ring	HPb59-1			

Model No.	Specifications & Dimensions (mm)							Set Pressure (MPa)	Weight(kg)
	H	H1	D0	L	M1	M2	DN		
DA22F-40P(10C)	161	56	Ø10.5	49	M30×1.5	M36×2	Ø10	0.4 ~ 1.59	0.8
1.60 ~ 2.7								0.8	
2.71 ~ 3.5								0.8	
DA22F-40P(15C)	161	56	Ø10.5	49	M30×1.5	M36×2	Ø15	0.4 ~ 1.59	1.0
1.60 ~ 2.7								1.0	
2.71 ~ 3.5								1.0	
DA22F-40P(25C)	186	69.5	Ø15	63	M36×2	M45×2	Ø25	0.4 ~ 1.59	1.5
1.60 ~ 2.7								1.5	
2.71 ~ 3.5								1.5	



DA22F-40P

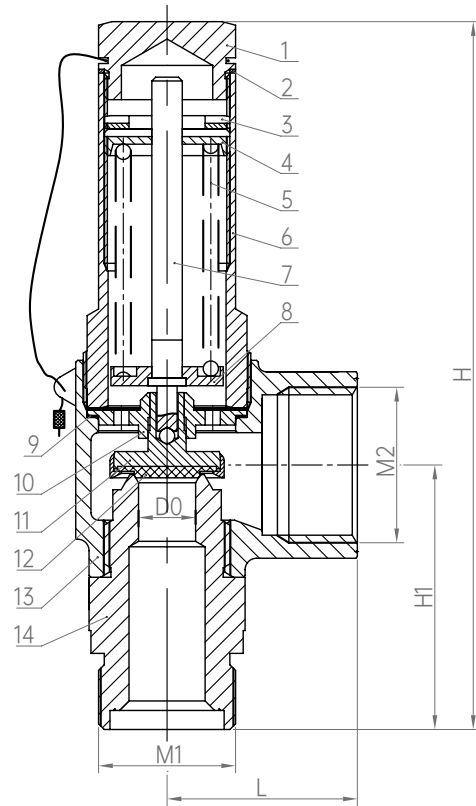
Cryogenic Safety Valve

Parameters

PN: 4.0MPa
Design Temp.: -196°C ~+80°C
Media: LNG, LO₂, LN₂, LAr, CO₂
Flow Coefficient: 0.66



This kind of product has certified by CE, EAC, TS and CCS
Standards: GB/T 29026, EN13648:2008, TR CU 032/2013



Materials

1	Dust Cover	HPb59-1	6	Bonnet	CF8	11	Disc	HPb59-1
2	Upper Gasket	T2	7	Stem	HPb59-1	12	Gasket	PTFE+C
3	Lock Nut	HPb59-1	8	Spring Bottom Pad	HPb59-1	13	Body	CF8
4	Adjusting Nut	HPb59-1	9	Sealing	T2	14	Valve Seat	HPb59-1
5	Spring	S30210	10	Gland Ring	HPb59-1			

Model No.	Specifications & Dimensions (mm)							Set Pressure (MPa)	Weight(kg)
	H	H1	D0	L	M1	M2	DN		
DA22F-40P(15F)	161	56	Ø13	35	M30×1.5	G 3/4	Ø15	0.4 ~ 1.59	
DA22F-40P(15F1)								1.60 ~ 2.7	
DA22F-40P(15F2)								2.71 ~ 3.5	
DA22F-40P(25F)	186	69.5	Ø20	47	M36×2	G 1 1/4	Ø25	0.4 ~ 1.59	
DA22F-40P(25F1)								1.60 ~ 2.7	
DA22F-40P(25F2)								2.71 ~ 3.5	

DA22F-40P

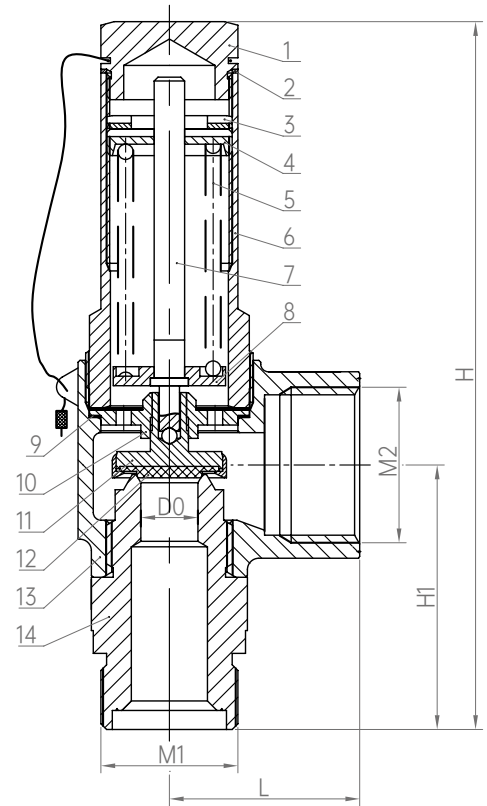
Cryogenic Safety Valve

Parameters

PN: 4.0MPa
Design Temp.: -196°C ~+80°C
Media: LNG. LO₂. LN₂. LAr. CO₂
Flow Coefficient: 0.66



This kind of product has certified by CE, EAC, TS and CCS
Standards: GB/T 29026, EN13648:2008, TR CU 032/2013



Materials

1	Dust Cover	HPb59-1	6	Bonnet	CF8	11	Disc	HPb59-1
2	Upper Gasket	T2	7	Stem	HPb59-1	12	Gasket	PTFE+C
3	Lock Nut	HPb59-1	8	Spring Bottom Pad	HPb59-1	13	Body	CF8
4	Adjusting Nut	HPb59-1	9	Sealing	T2	14	Valve Seat	HPb59-1
5	Spring	S30210	10	Gland Ring	HPb59-1			

Model No.	Specifications & Dimensions (mm)							Set Pressure (MPa)	Weight(kg)
	H	H1	D0	L	M1	M2	DN		
DA22F-40P(10G)	161	56	Ø11	42.5	M30×1.5	NPT 1	Ø10	0.4 ~ 1.59	
DA22F-40P(10G1)								1.60 ~ 2.7	
DA22F-40P(10G2)								2.71 ~ 3.5	
DA22F-40P(15G)	161	56	Ø13	42.5	M30×1.5	NPT 1	Ø15	0.4 ~ 1.59	
DA22F-40P(15G1)								1.60 ~ 2.7	
DA22F-40P(15G2)								2.71 ~ 3.5	
DA22F-40P(25G)	186	69.5	Ø20	50	M36×2	NPT 1 1/4	Ø25	0.4 ~ 1.59	
DA22F-40P(25G1)								1.60 ~ 2.7	
DA22F-40P(25G2)								2.71 ~ 3.5	



DA22F-40P

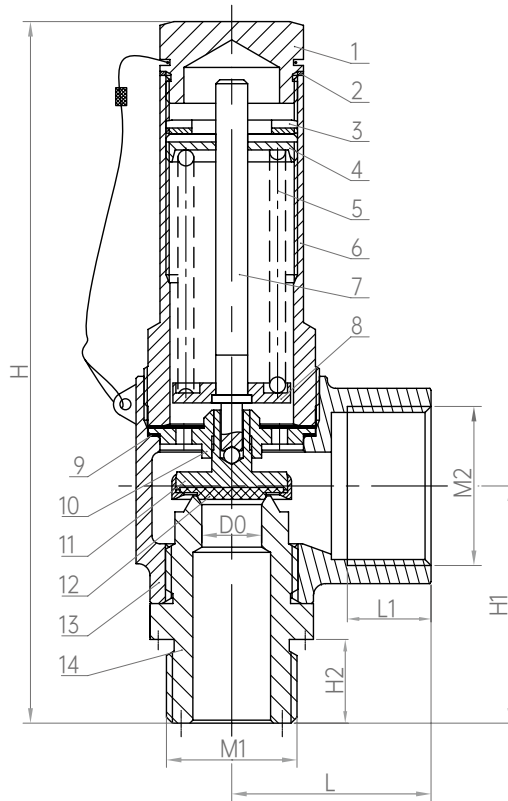
Cryogenic Safety Valve

Parameters

PN: 4.0MPa
Design Temp.: -196°C ~+80°C
Media: LNG, LO₂, LN₂, LAr, CO₂
Flow Coefficient: 0.66



This kind of product has certified by CE, EAC, TS and CCS
Standards: GB/T 29026, EN13648:2008, TR CU 032/2013



Materials

1	Dust Cover	HPb59-1	6	Bonnet	CF8	11	Disc	HPb59-1
2	Upper Gasket	T2	7	Stem	HPb59-1	12	Gasket	PTFE+C
3	Lock Nut	HPb59-1	8	Spring Bottom Pad	HPb59-1	13	Body	CF8
4	Adjusting Nut	HPb59-1	9	Sealing	T2	14	Valve Seat	HPb59-1
5	Spring	S30210	10	Gland Ring	HPb59-1			

Model No.	Specifications & Dimensions (mm)									Set Pressure (MPa)	Weight(kg)
	H	H1	H2	D0	L	L1	M1	M2	DN		
DA22F-40P(15M)	154.5	49.5	13	Ø10.5	42.5	12	G 1/2	G 1	Ø15	0.4 ~ 1.59	0.8
1.60 ~ 2.7										0.8	
2.71 ~ 3.5										0.8	
DA22F-40P(25M)	176.5	60	18	Ø15	47	20	G 1	G 1 1/4	Ø25	0.4 ~ 1.59	1.3
1.60 ~ 2.7										1.3	
2.71 ~ 3.5										1.3	

DA42F-40P

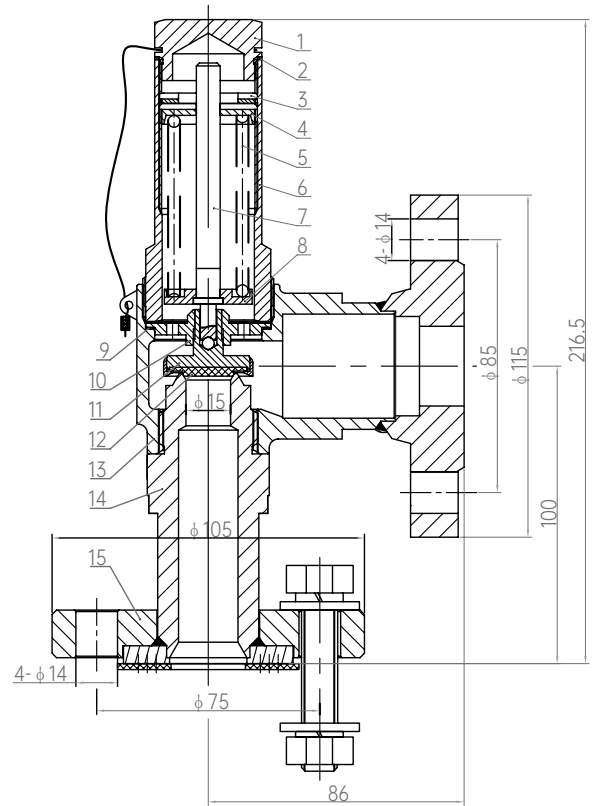
Cryogenic Safety Valve

Parameters

PN: 4.0MPa
 DN: $\phi 25$
 Design Temp.: $-196^{\circ}\text{C} \sim +80^{\circ}\text{C}$
 Media: LNG, LO₂, LN₂, LAr, CO₂
 Flow Coefficient: 0.66
 Set pressure: (0.4 ~ 1.59) MPa



This kind of product has certified by CE, EAC, TS and CCS
 Standards: GB/T 29026, EN13648:2008, TR CU 032/2013



Model No.: DA22F-40P(25HC)

Materials

1	Dust Cover	HPb59-1	6	Bonnet	CF8	11	Disc	HPb59-1
2	Upper Gasket	T2	7	Stem	HPb59-1	12	Gasket	PCTFE
3	Lock Nut	HPb59-1	8	Spring Bottom Pad	HPb59-1	13	Body	CF8
4	Adjusting Nut	HPb59-1	9	Sealing	T2	14	Valve Seat	HPb59-1
5	Spring	S30210	10	Gland Ring	HPb59-1	15	Flange	S30408

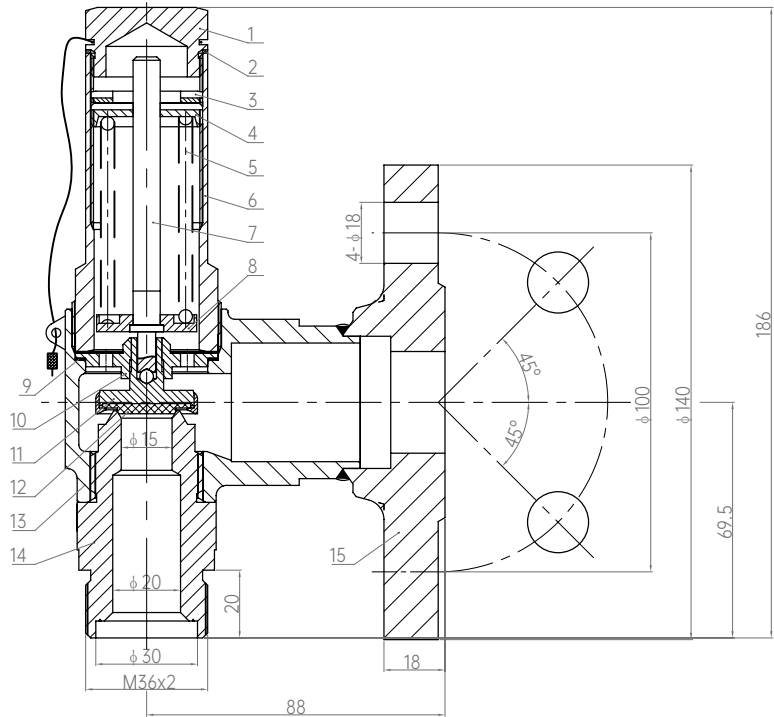


DA22F-40P

Cryogenic Safety Valve

Parameters

- PN: 4.0MPa
- DN: $\varnothing 25$
- Design Temp.: $-196^{\circ}\text{C} \sim +80^{\circ}\text{C}$
- Media: LNG, LO₂, LN₂, LAr, CO₂
- Flow Coefficient: 0.66
- Set pressure: (0.4 ~ 1.59) MPa
- Connection: Flange
- Design Standard of Flange: HG/T 20592-2009



This kind of product has certified by CE, EAC, TS and CCS
Standards: GB/T 29026, EN13648:2008, TR CU 032/2013

Model No.: DA22F-40P(25HD)

Materials

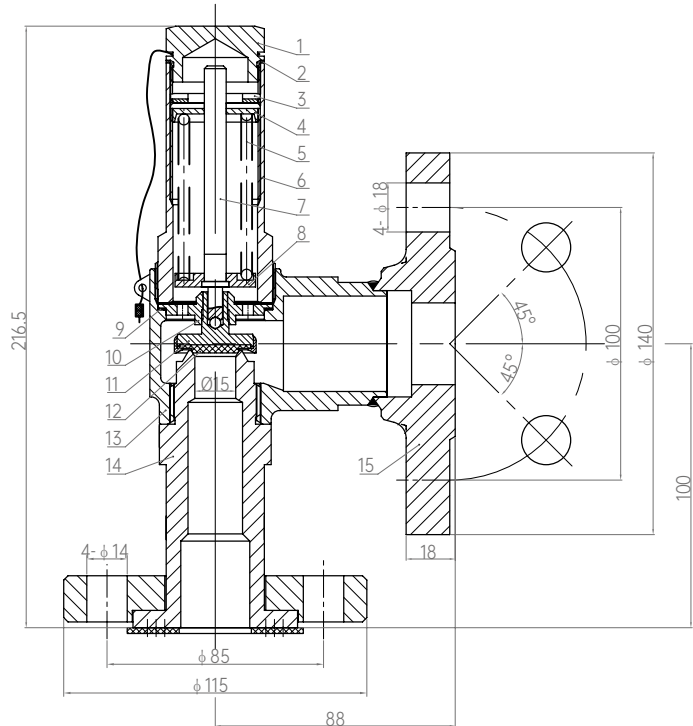
1	Dust Cover	HPb59-1	6	Bonnet	CF8	11	Disc	HPb59-1
2	Upper Gasket	T2	7	Stem	HPb59-1	12	Gasket	PCTFE
3	Lock Nut	HPb59-1	8	Spring Bottom Pad	HPb59-1	13	Body	CF8
4	Adjusting Nut	HPb59-1	9	Sealing	T2	14	Valve Seat	HPb59-1
5	Spring	S30210	10	Gland Ring	HPb59-1	15	Flange	S30408

DA42F-40P

Cryogenic Safety Valve

Parameters

PN: 4.0MPa
 DN: $\varnothing 25$
 Design Temp.: $-196^{\circ}\text{C} \sim +80^{\circ}\text{C}$
 Media: LNG, LO₂, LN₂, LAr, CO₂
 Flow Coefficient: 0.66
 Set pressure: (0.4 ~ 1.59) MPa
 Connection: Flange
 Design Standard of Flange: HG/T 20592-2009



This kind of product has certified by CE, EAC, TS and CCS
 Standards: GB/T 29026, EN13648:2008, TR CU 032/2013

Model No.: DA22F-40P(25HE)

Materials

1	Dust Cover	HPb59-1	6	Bonnet	CF8	11	Disc	HPb59-1
2	Upper Gasket	T2	7	Stem	HPb59-1	12	Gasket	PCTFE
3	Lock Nut	HPb59-1	8	Spring Bottom Pad	HPb59-1	13	Body	CF8
4	Adjusting Nut	HPb59-1	9	Sealing	T2	14	Valve Seat	HPb59-1
5	Spring	S30210	10	Gland Ring	HPb59-1	15	Flange	S30408



DA22F-40P

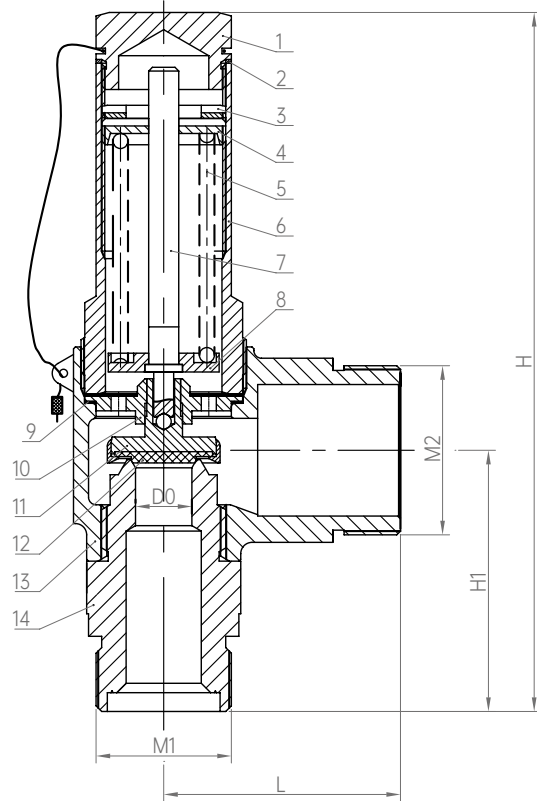
Cryogenic Safety Valve

Parameters

PN: 4.0MPa
DN: Ø32
Design Temp.: -196°C ~+80°C
Media: LNG, LO₂, LN₂, LAr, CO₂
Flow Coefficient: 0.66



This kind of product has certified by CE, EAC, TS and CCS
Standards: GB/T 29026, EN13648:2008, TR CU 032/2013



Materials

1 Dust Cover	HPb59-1	6 Bonnet	CF8	11 Disc	HPb59-1
2 Upper Gasket	T2	7 Stem	HPb59-1	12 Gasket	PCTFE
3 Lock Nut	HPb59-1	8 Spring Bottom Pad	HPb59-1	13 Body	CF8
4 Adjusting Nut	HPb59-1	9 Sealing	T2	14 Valve Seat	HPb59-1
5 Spring	S30210	10 Gland Ring	HPb59-1		

Model No.	Specifications & Dimensions (mm)						Set Pressure (MPa)	Weight(kg)
	H	H1	D0	L	M1	M2		
DA22F-40P(32C)	239	77	Ø25	76.5	M48×2	M56×2	0.4 ~ 1.59	
DA22F-40P(32C1)							1.60 ~ 2.7	
DA22F-40P(32C2)							2.71 ~ 3.5	

DA22Y-40P

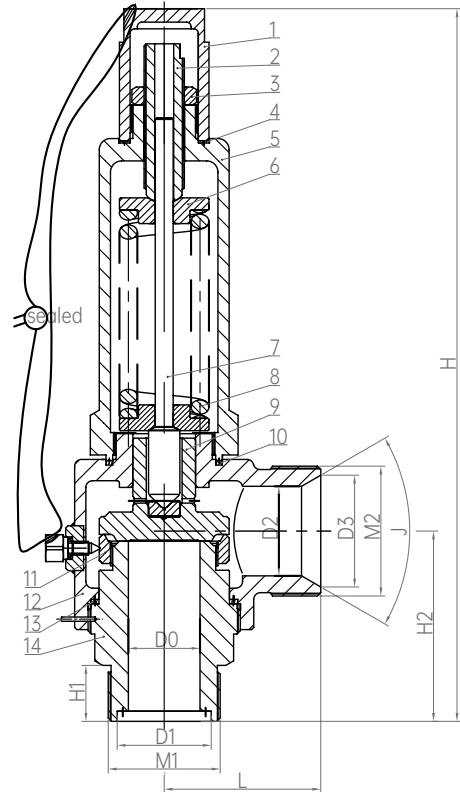
Cryogenic Safety Valve

Parameters

PN: 4.0MPa
 DN: Ø40
 Design Temp.: -196°C ~+80°C
 Media: LNG, LO₂, LN₂, LAr, CO₂
 Flow Coefficient: 0.66



This kind of product has certified by CE, EAC, TS and CCS
 Standards: GB/T 29026, EN13648:2008, TR CU 032/2013



Materials

1 Cover	HPb59-1	6 Spring Seat	S30408	11 Adjusting Ring	HPb59-1
2 Adjusting Screw	HPb59-1	7 Ejector Bar	20Cr13	12 Body	S30408
3 Lock Nut	S30408	8 Spring	S30210	13 Sealing	T2
4 Sealing	PTFE	9 Disc	S32168	14 Valve Seat	S32168
5 Bonnet	S30408	10 Sealing	T2		

Model No.	Specifications & Dimensions (mm)											Set Pressure (MPa)	Weight(kg)
	H	H1	H2	D0	D1	D2	D3	L	J	M1	M2		
DA22Y-40P(40)	318	25	85	Ø32	Ø42	Ø40	Ø50	70	60°	M50x2	M58x2	1.5 ~ 3.5	
DA22Y-40P(40A)												0.4 ~ 1.49	



DA22Y-40P

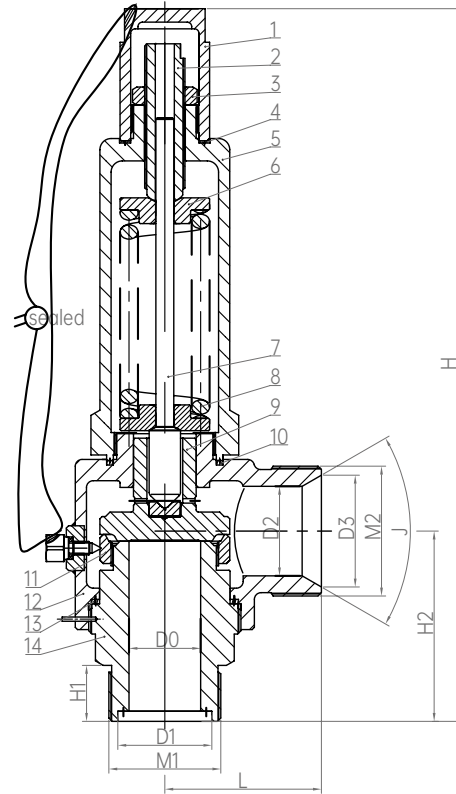
Cryogenic Safety Valve

Parameters

PN: 4.0MPa
DN: Ø50
Design Temp.: -196°C ~+80°C
Media: LNG, LO₂, LN₂, LAr, CO₂
Flow Coefficient: 0.66



This kind of product has certified by CE, EAC, TS and CCS
Standards: GB/T 29026, EN13648:2008, TR CU 032/2013



Materials

1	Cover	HPb59-1	6	Spring Seat	S30408	11	Adjusting Ring	HPb59-1
2	Adjusting Screw	HPb59-1	7	Ejector Bar	20Cr13	12	Body	S30408
3	Lock Nut	S30408	8	Spring	S30210	13	Sealing	T2
4	Sealing	PTFE	9	Disc	S32168	14	Valve Seat	S32168
5	Bonnet	S30408	10	Sealing	T2			

Model No.	Specifications & Dimensions (mm)											Set Pressure (MPa)	Weight(kg)
	H	H1	H2	D0	D1	D2	D3	L	J	M1	M2		
DA22Y-40P(50)	318	25	85	Ø32	Ø42	Ø40	Ø50	70	60°	M50x2	M58x2	1.5 ~ 3.5	
DA22Y-40P(50A)												0.4 ~ 1.49	

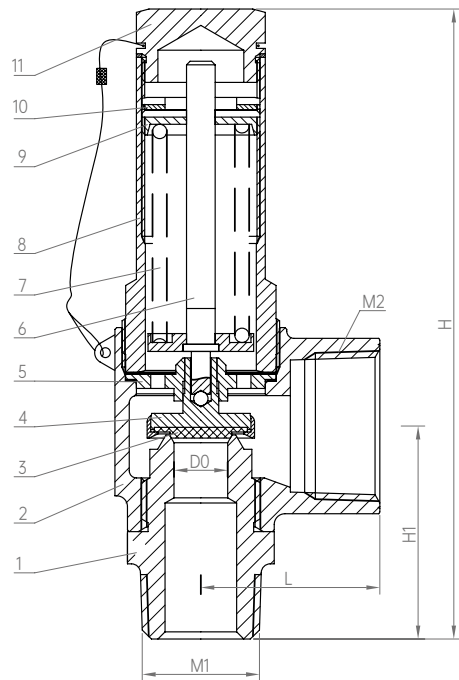
Cryogenic Safety Valve

Parameters

PN: 4.0MPa
DN: Ø15 ~ Ø25
Design Temp.: -196°C ~ +80°C
Media: LNG, LO₂, LN₂, LAr, CO₂



This kind of product has certified by CE, EAC, TS and CCS
Standards: GB/T 29026, EN13648:2008, TR CU 032/2013



Materials

1 Valve Seat	C36000	5 Gland Ring	C36000	9 Adjusting Nut	C36000
2 Body	B62	6 Stem	C36000	10 Lock Nut	C36000
3 Gasket	PTFE+C	7 Spring	S30210	11 Dust Cover	C36000
4 Connecting Bar of Disc	C36000	8 Bonnet	CF8		

Remarks: **DA22F40P(15B).99.xxx**



Model No.	Specifications & Dimensions (mm)							Set pressure (Mpa)	Weight(kg)
	D	H	W	D0	M	M	Cv		
DA22F40P(15B).99.xxx	154.5	49.5	10.5	42.5	NPT 1/2	NPT 1	0.58	0.4 ~ 3.5	
DA22F40P(20B).99.xxx	155.5	50.5	10.5	42.5	NPT 3/4	NPT 1	0.58	0.4 ~ 3.5	
DA22F40P(25B).99.xxx	176	59.5	15	50	NPT 1	NPT 1-1/4	0.5	0.4 ~ 3.5	



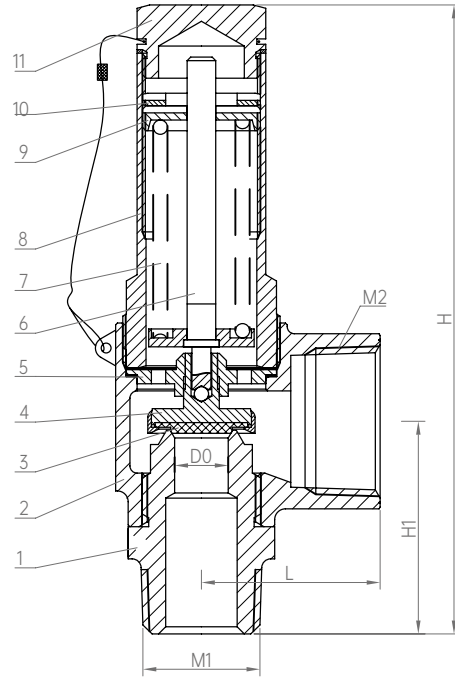
Cryogenic Safety Valve

Parameters

PN: 4.0MPa
DN: Ø15 ~ Ø25
Design Temp.: -196°C ~ +80°C
Media: LNG, LO₂, LN₂, LAr, CO₂



This kind of product has certified by CE, EAC, TS and CCS
Standards: GB/T 29026, EN13648:2008, TR CU 032/2013



Materials

1	Valve Seat	C36000	5	Gland Ring	C36000	9	Adjusting Nut	C36000
2	Body	CF8	6	Stem	C36000	10	Lock Nut	C36000
3	Gasket	PTFE+C	7	Spring	S30210	11	Dust Cover	C36000
4	Connecting Bar of Disc	C36000	8	Bonnet	CF8			

Remarks: **DA22F40P(15B).98.xxx**



Model No.	Specifications & Dimensions (mm)							Set pressure (Mpa)	Weight(kg)
	H	H1	D0(喉径)	L	M1	M2	S/G		
DA22F40P(15B).98.xxx	154.5	49.5	10.5	42.5	NPT 1/2	NPT 1	0.58	0.4 ~ 3.5	
DA22F40P(20B).98.xxx	155.5	50.5	10.5	42.5	NPT 3/4	NPT 1	0.58	0.4 ~ 3.5	
DA22F40P(25B).98.xxx	176	59.5	15	50	NPT 1	NPT 1-1/4	0.5	0.4 ~ 3.5	

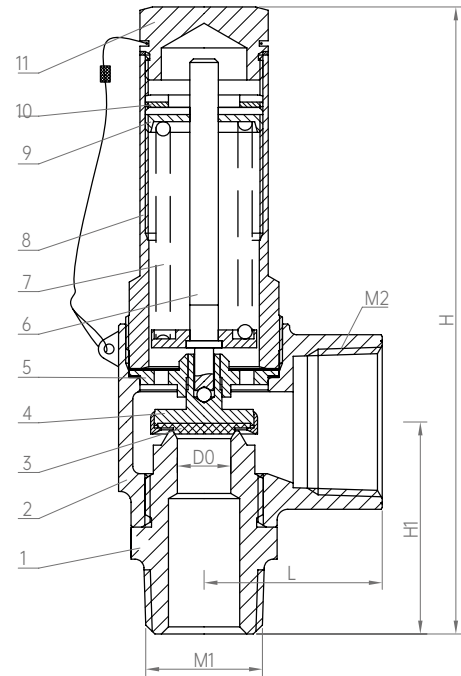
Cryogenic Safety Valve

Parameters

PN: 4.0MPa
DN: Ø15 ~ Ø25
Design Temp.: -196°C ~ +80°C
Media: LNG, LO₂, LN₂, LAr, CO₂



This kind of product has certified by CE, EAC, TS and CCS
Standards: GB/T 29026, EN13648:2008, TR CU 032/2013



Materials

1	Valve Seat	C36000	5	Gland Ring	C36000	9	Adjusting Nut	C36000
2	Body	C37700	6	Stem	C36000	10	Lock Nut	C36000
3	Gasket	PTFE+C	7	Spring	S30210	11	Dust Cover	C36000
4	Connecting Bar of Disc	C36000	8	Bonnet	CF8			

Remarks: **DA22F40P(15B).97.xxx**



Model No.	Specifications & Dimensions (mm)							Set pressure (Mpa)	Weight(kg)
	H	H1	D0(喉径)	L	M1	M2	S/G		
DA22F40P(15B).97.xxx	154.5	49.5	10.5	42.5	NPT 1/2	NPT 1	0.58	0.4 ~ 3.5	
DA22F40P(20B).97.xxx	155.5	50.5	10.5	42.5	NPT 3/4	NPT 1	0.58	0.4 ~ 3.5	
DA22F40P(25B).97.xxx	176	59.5	15	50	NPT 1	NPT 1-1/4	0.5	0.4 ~ 3.5	



Cryogenic Safety Valve

Parameters

PN: 4.0MPa

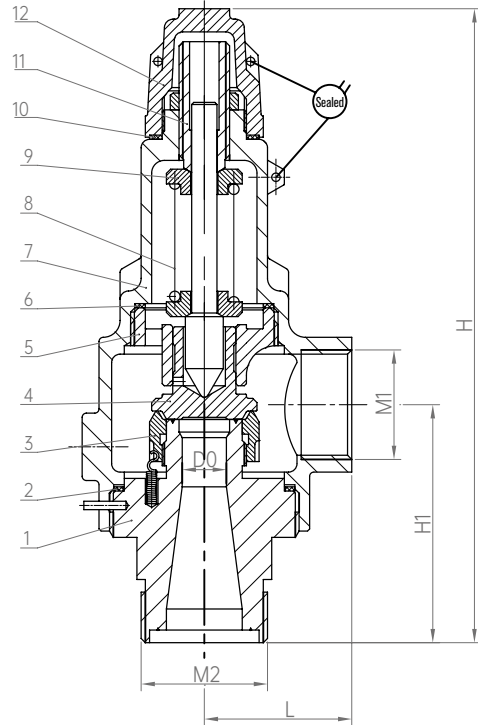
Design Temp.: -196°C ~+80°C

Media: LNG, LO₂, LN₂, LAr, CO₂

Flow Coefficient: 0.66



This kind of product has certified by CE, EAC, TS and CCS
Standards: GB/T 29026, EN13648:2008, TR CU 032/2013



Materials

1 Valve Seat	S30408	5 Pilot Sleeve	CF8	9 Washer	S30408
2 Sealing	PTFE	6 Gasket	PTFE	10 Sealing	PTFE
3 Adjusting Ring	CF8	7 Body	CF8	11 Adjusting Screw	HPb59-1
4 Disc	S30408	8 Spring	S30210	12 Cover	CF8

Model No.	Specifications & Dimensions (mm)							Set Pressure (MPa)	Weight(kg)
	H	H1	M1	M2	L	D0	DN		
DAH-10	150	56	G3/4	M30x1.5	35	Ø10	Ø10	0.4 ~ 1.0	0.9
DAH-10A1								1.0 ~ 2.0	0.9
DAH-10A2								2.0 ~ 3.0	0.9
DAH-15	150	56	G3/4	M30x1.5	35	Ø15	Ø15	0.4 ~ 1.0	0.9
DAH-15A1								1.0 ~ 2.0	0.9
DAH-15A2								2.0 ~ 3.0	0.9
DAH-25	197	69	G1 1/4	M36x2	47	Ø25	Ø25	0.4 ~ 1.0	1.8
DAH-25A1								1.0 ~ 2.0	1.8

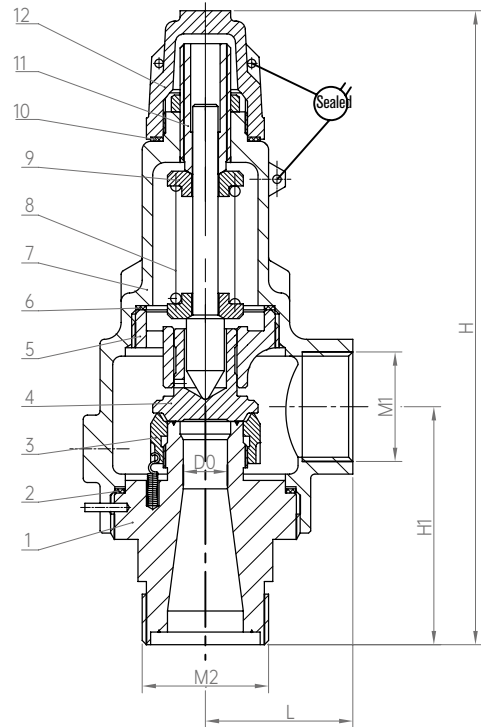
Cryogenic Safety Valve

Parameters

PN: 4.0MPa
DN: Ø15
Design Temp.: -196°C ~+80°C
Media: LNG, LO₂, LN₂, LAr, CO₂
Flow Coefficient: 0.66



This kind of product has certified by CE, EAC, TS and CCS
Standards: GB/T 29026, EN13648:2008, TR CU 032/2013



Materials

1	Valve Seat	S30408	5	Pilot Sleeve	CF8	9	Washer	S30408
2	Sealing	PTFE	6	Gasket	PTFE	10	Sealing	PTFE
3	Adjusting Ring	CF8	7	Body	CF8	11	Adjusting Screw	HPb59-1
4	Disc	S30408	8	Spring	S30210	12	Cover	CF8

Model No.	Specifications & Dimensions (mm)						Set Pressure (MPa)	Weight(kg)
	H	H1	M1	M2	L	D0		
DAH-15D	150	56	Rp 3/4	M30x1.5	35	Ø15	0.4 ~ 1.0	
DAH-15D1							1.0 ~ 2.0	
DAH-15D2							2.0 ~ 3.0	



Cryogenic Safety Valve

Parameters

PN: 4.0MPa

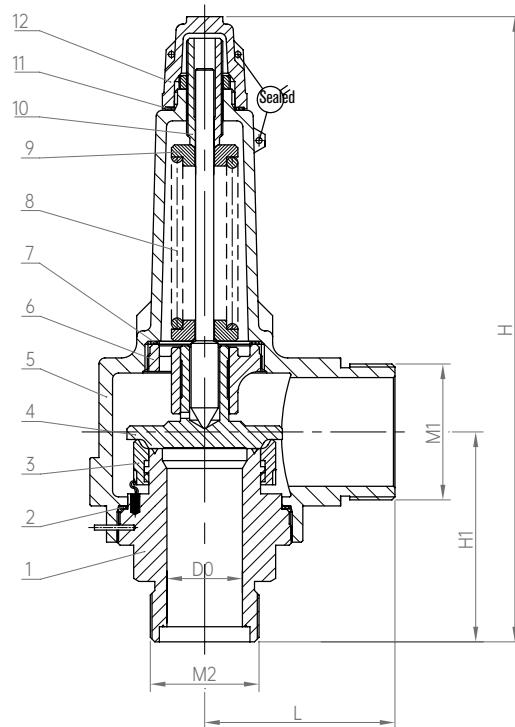
Design Temp.: -196°C ~+80°C

Media: LNG, LO₂, LN₂, LAr, CO₂

Flow Coefficient: 0.66



This kind of product has certified by CE, EAC, TS and CCS
Standards: GB/T 29026, EN13648:2008, TR CU 032/2013



Materials

1	Valve Seat	S30408	5	Body	CF8	9	Washer	S30408
2	Sealing	PTFE	6	pilot sleeve	CF8	10	Adjusting Screw	HPb59-1
3	Adjusting Ring	CF8	7	Gasket	PTFE	11	Sealing	PTFE
4	Disc	S32168	8	Spring	S30210	12	Cover	CF8

Model No.	Specifications & Dimensions (mm)							Set Pressure (MPa)	Weight(kg)
	H	H1	L	D0	M1	M2	DN		
DAH-15E	150	56	49	Ø15	M32x1.5	M30x1.5	Ø15	0.4 ~ 1.0	
DAH-15E1								1.0 ~ 2.0	
DAH-15E2								2.0 ~ 3.0	
DAH-25E	197	69	63	Ø25	M36x2	M45x2	Ø25	0.4 ~ 1.0	1.8
DAH-25E1								1.0 ~ 2.0	1.8

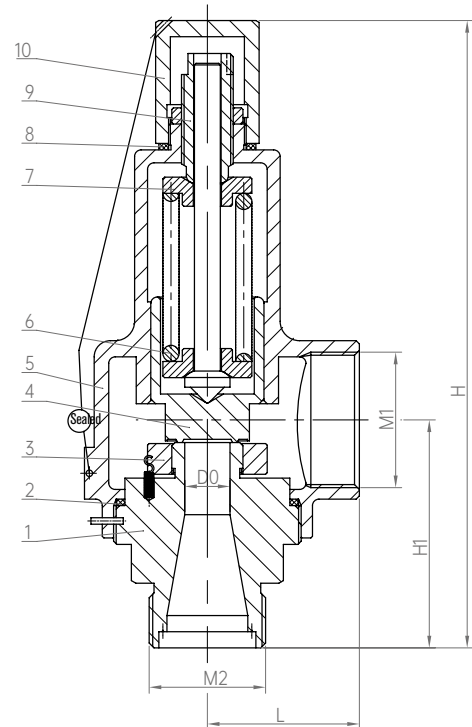
Cryogenic Safety Valve

Parameters

PN: 4.0MPa
DN: Ø25
Design Temp.: -196°C ~+80°C
Media: LNG, LO₂, LN₂, LAr, CO₂
Flow Coefficient: 0.66



This kind of product has certified by CE, EAC, TS and CCS
Standards: GB/T 29026, EN13648:2008, TR CU 032/2013



Materials

1	Valve Seat	S30408	5	Body	CF8	9	Adjusting Screw	HPb59-1
2	Sealing	PTFE	6	Spring	S30210	10	Cover	HPb59-1
3	Adjusting Ring	HPb59-1	7	Spring Seat	S30408			
4	Disc	S30408	8	Sealing	PTFE			

Model No.	Specifications & Dimensions (mm)						Set Pressure (MPa)	Weight(kg)
	H	H1	M1	M2	L	D0		
DAH-25B	193	69	G1 1/4	M36×2	47	Ø14	2.8 ~ 3.15	
DAH-25B1							2.0 ~ 2.75	



High Pressure Cryogenic Safety Valve

Parameters

PN: 32MPa

DN: Ø10

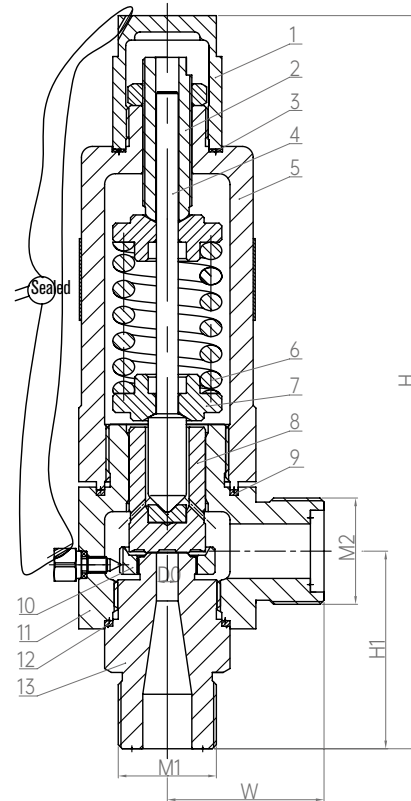
Design Temp.: -196°C ~+80°C

Media: LNG, LO₂, LN₂, LAr, CO₂

Flow Coefficient: 0.66



This kind of product has certified by EAC, TS
Standards: GB/T 29026, TR CU 032/2013



Materials

1	Cover	HPb59-1	6	Spring	S30210	11	Body	S30408
2	Adjusting Screw	HPb59-1	7	Spring Seat	S30408	12	Sealing	T2
3	Gasket	PTFE	8	Disc	S32168	13	Valve Seat	S32168
4	Ejector Bar	S42020	9	Sealing	T2			
5	Bonnet	S30408	10	Adjusting Ring	HPb59-1			

Model No.	Specifications & Dimensions (mm)						Pressure Adjusting Range (MPa)	Weight(kg)
	H	H1	D0	W	M1	M2		
DGA-10.A01	269	72.5	Ø8	57.5	M36×2	M39×2	11 ~ 19.9	
DGA-10.A02							20 ~ 28	
DGA-10.A03							5 ~ 10.9	

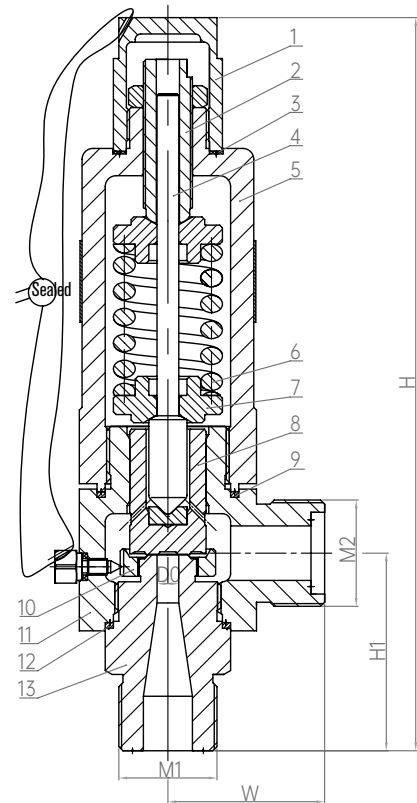
High Pressure Cryogenic Safety Valve

Parameters

PN: 32MPa
DN: Ø15
Design Temp.: -196°C ~+80°C
Media: LNG, LO₂, LN₂, LAr, CO₂
Flow Coefficient: 0.66



This kind of product has certified by EAC, TS
Standards: GB/T 29026, TR CU 032/2013



Materials

1	Cover	HPb59-1	6	Spring	S30210	11	Body	S30408
2	Adjusting Screw	HPb59-1	7	Spring Seat	S30408	12	Sealing	T2
3	Gasket	PTFE	8	Disc	S32168	13	Valve Seat	S32168
4	Ejector Bar	S42020	9	Sealing	T2			
5	Bonnet	S30408	10	Adjusting Ring	HPb59-1			

Model No.	Specifications & Dimensions (mm)						Pressure Adjusting Range (MPa)	Weight(kg)
	H	H1	D0	W	M1	M2		
DGA-15.A01	269	72.5	Ø8	57.5	M36×2	M39×2	11 ~ 19.9	
DGA-15.A02							20 ~ 28	
DGA-15.A03							5 ~ 10.9	



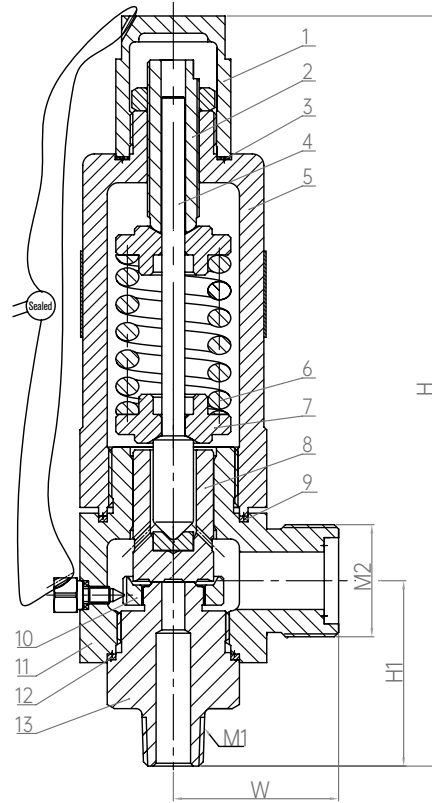
High Pressure Cryogenic Safety Valve

Parameters

PN: 32MPa
DN: Ø15
Design Temp.: -196°C ~+80°C
Media: LNG, LO₂, LN₂, LAr, CO₂
Flow Coefficient: 0.66



This kind of product has certified by EAC, TS
Standards: GB/T 29026, TR CU 032/2013



Materials

1	Cover	HPb59-1	6	Spring	S30210	11	Body	S30408
2	Adjusting Screw	HPb59-1	7	Spring Seat	S30408	12	Sealing	T2
3	Gasket	PTFE	8	Disc	S32168	13	Valve Seat	S32168
4	Ejector Bar	S42020	9	Sealing	T2			
5	Bonnet	S30408	10	Adjusting Ring	HPb59-1			

Model No.	Specifications & Dimensions (mm)						Pressure Adjusting Range (MPa)	Weight(kg)
	H	H1	D0	W	M1	M2		
DGA-15.B01	261	64.5	Ø8	57.5	NPT 1/2	M39×2	11 ~ 19.9	
DGA-15.B02							20 ~ 28	
DGA-15.B03							5 ~ 10.9	

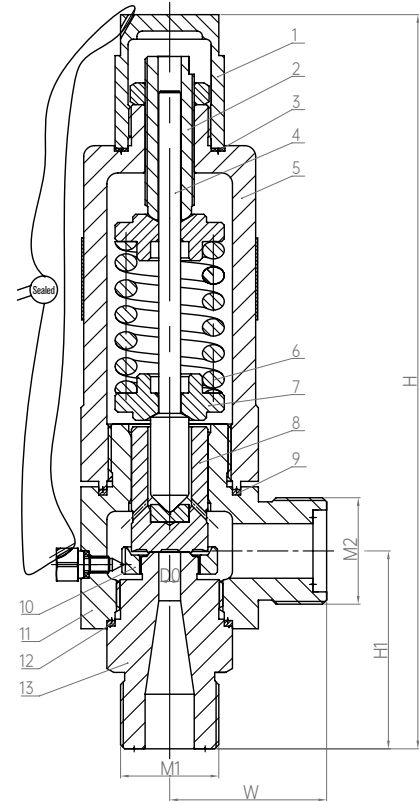
High Pressure Cryogenic Safety Valve

Parameters

PN: 32MPa
DN: Ø20
Design Temp.: -196°C ~+80°C
Media: LNG, LO₂, LN₂, LAr, CO₂
Flow Coefficient: 0.66



This kind of product has certified by EAC, TS
Standards: GB/T 29026, TR CU 032/2013



Materials

1 Cover	HPb59-1	6 Spring	S30210	11 Body	S30408
2 Adjusting Screw	HPb59-1	7 Spring Seat	S30408	12 Sealing	T2
3 Gasket	PTFE	8 Disc	S32168	13 Valve Seat	S32168
4 Ejector Bar	S42020	9 Sealing	T2		
5 Bonnet	S30408	10 Adjusting Ring	HPb59-1		

Model No.	Specifications & Dimensions (mm)						Pressure Adjusting Range (MPa)	Weight(kg)
	H	H1	D0	W	M1	M2		
DGA-20.A01	269	72.5	Ø8	57.5	M36×2	M39×2	11 ~ 19.9	
DGA-20.A02							20 ~ 28	
DGA-20.A03							5 ~ 10.9	



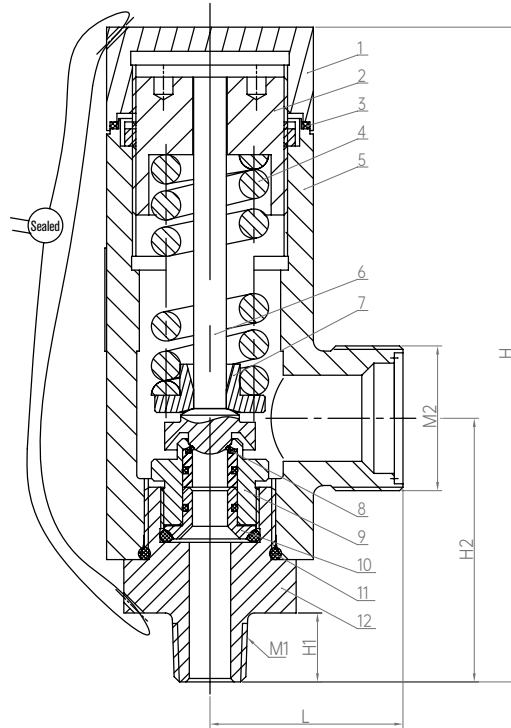
High Pressure Safety Valve

Parameters

PN: 42MPa
DN: Ø15
Design Temp.: -32°C ~+80°C
Media: CNG



This kind of product has certified by CE, EAC, TS and CCS
Standards: GB/T 12243, TR CU 032/2013



Materials

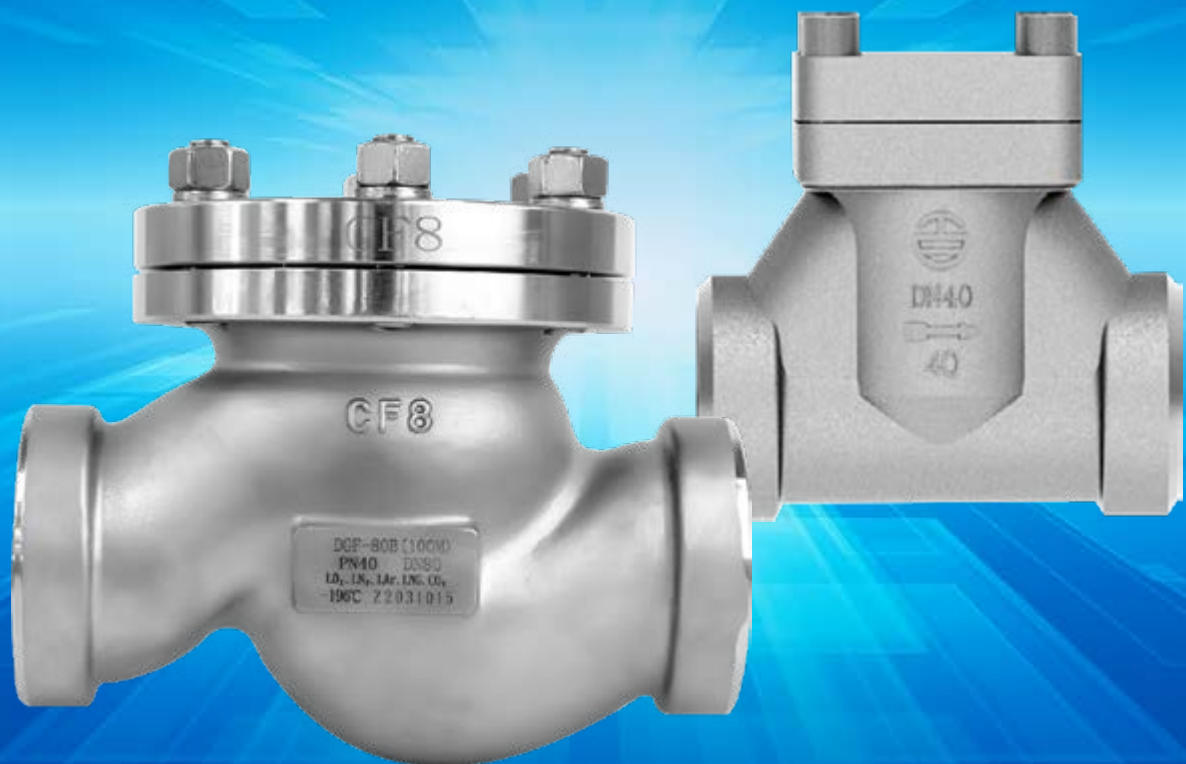
1	Cover	CF8	5	Body	CF8	9	Valve Seat	S51740
2	Adjusting Nut	HPb59-1	6	Disc	S51740	10	Support seat	S30408
3	Gasket	PTFE	7	Spring Seat	S51740	11	O Ring	HNBR
4	Spring	S30210	8	Gasket	HNBR	12	Adaptor	S31608

Model No.	Specifications & Dimensions (mm)							Pressure Adjusting Range (MPa)	Weight(kg)
	H	H1	H2	D0	L	M1	M2		
QGA-15	190	20	76.5	Ø12	56	NPT1/2	M42×2	17 ~ 37	
QGA-15.A01								10 ~ 16.9	

Cryogenic Strainer Valve

www.baituvalves.com

BAITU CRYOGENIC VALVE





Cryogenic Strainer Valve

Parameters

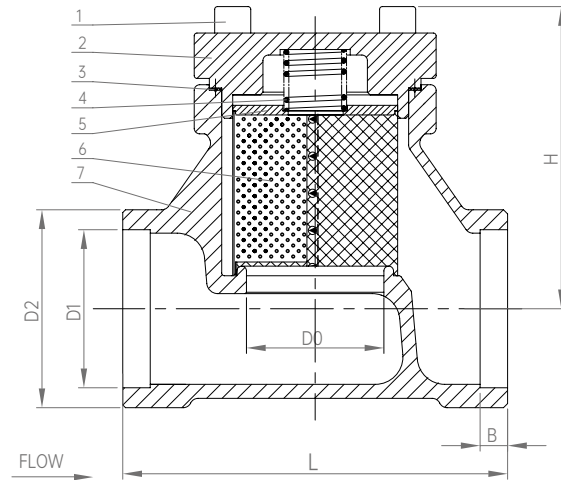
PN: 4.0MPa

DN: Ø10 ~ Ø50

Design Temp.: -196°C ~ +80°C

Media: LNG, LO₂, LN₂, LAr

Connection: Socket Weld



This kind of product has certified by CE, EAC, TS and CCS
Standards: GB/T 24925, EN1626:2008, TR CU 032/2013

Materials

1 Hexagon Screw	S30408	4 Spring of Gland Nut	S30210	7 Body	CF8
2 Bonnet	CF8	5 Spring Pad	S30408		
3 Gasket	RPTFE	6 Filter Assembly	S30408		

Model No.	Specifications & Dimensions (mm)						Weight(kg)
	H	L	D0	D1	D2	B	
DGF-10	55	60	Ø13	Ø14.5	Ø24	6	
DGF-15	62	65	Ø15	Ø18.5	Ø29.5	6	0.7
DGF-20	70	80	Ø20	Ø25.5	Ø36	8	
DGF-25	77	90	Ø25	Ø32.5	Ø43.5	8	1.2
DGF-32	89	105	Ø32	Ø38.5	Ø53	8	
DGF-40	98	120	Ø40	Ø45.5	Ø62	8	
DGF-50	111	140	Ø50	Ø57.5	Ø72	10	4
DGF-10Y	55	60	Ø13	Ø14.5	Ø24	6	
DGF-15Y	62	65	Ø15	Ø18.5	Ø29.5	6	0.7
DGF-20Y	70	80	Ø20	Ø25.5	Ø36	8	
DGF-25Y	77	90	Ø25	Ø32.5	Ø43.5	8	1.2
DGF-32Y	89	105	Ø32	Ø38.5	Ø53	8	
DGF-40Y	98	120	Ø40	Ø45.5	Ø62	8	
DGF-50Y	111	140	Ø50	Ø57.5	Ø72	10	4

Remarks:

There are three kinds of filters with 100 meshes, 150 meshes and 200 meshes.

The model No. is DGF-XX(XXX), and DGF-XX is the main model while (XXX) is the filter model.

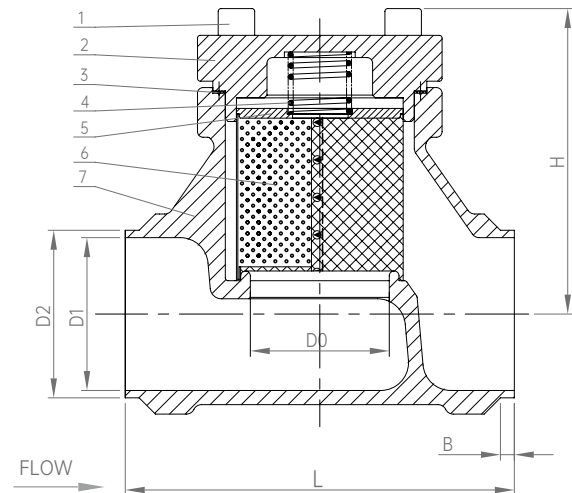
For example, if you need the cryogenic strainer valve with the size of 3/8" and 150 meshes, the model should be DGF-10(150M).

Cryogenic Strainer Valve

Parameters

PN: 4.0MPa
DN: Ø10 ~ Ø50
Design Temp.: -196°C ~+80°C
Media: LNG, LO₂, LN₂, LAr

Connection: Butt Weld



This kind of product has certified by CE, EAC, TS and CCS
Standards: GB/T 24925, EN1626:2008, TR CU 032/2013

Materials

1 Hexagon Screw	S30408	4 Spring of Gland Nut	S30210	7 Body	CF8
2 Bonnet	CF8	5 Spring Pad	S30408		
3 Gasket	RPTFE	6 Filter Assembly	S30408		

Model No.	Specifications & Dimensions (mm)						Weight(kg)
	H	L	D0	D1	D2	B	
DGF-10A	55	60	Ø13	Ø13	Ø17	4	
DGF-15A	62	65	Ø15	Ø17.08	Ø21.3	5	
DGF-20A	70	80	Ø20	Ø22.48	Ø26.7	5	
DGF-25A	77	90	Ø25	Ø27.9	Ø33.4	5	
DGF-32A	89	105	Ø32	Ø36	Ø42.2	5	
DGF-40A	98	120	Ø40	Ø43	Ø48.3	5	
DGF-50A	111	140	Ø50	Ø55	Ø60.3	5	
DGF-15K	62	65	Ø15	Ø14	Ø18	5	
DGF-20K	70	80	Ø20	Ø20	Ø25	5	
DGF-25K	77	90	Ø25	Ø27	Ø32	5	
DGF-32K	89	105	Ø32	Ø32	Ø38	5	
DGF-40K	98	120	Ø40	Ø39	Ø45	5	
DGF-50K	111	140	Ø50	Ø51	Ø57	5	

Remarks:

There are three kinds of filters with 100 meshes, 150 meshes and 200 meshes.
The model No. is DGF-XXA (XXX) , and DGF-XXA is the main model while (XXX) is the filter model.
For example, if you need the cryogenic strainer valve with the size of 3/8" and 150 meshes, the model should be DGF-10A (150M) .



Cryogenic Strainer Valve

Parameters

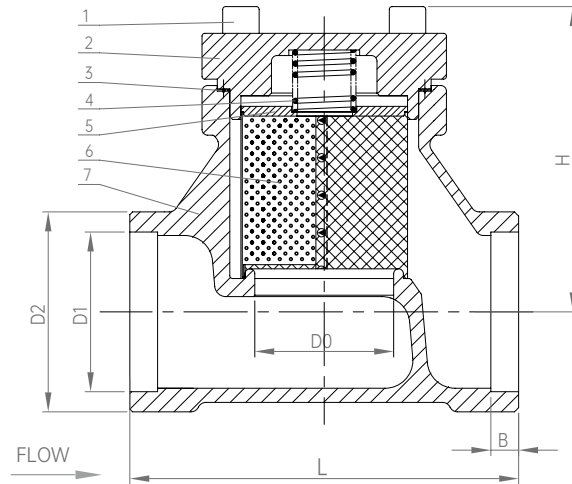
PN: 6.3MPa

DN: Ø10 ~ Ø50

Design Temp.: -196°C ~ +80°C

Media: LNG, LO₂, LN₂, LAr

Connection: Socket Weld



This kind of product has certified by CE, EAC, TS and CCS
Standards: GB/T 29026, EN1626:2008, TR CU 032/2013

Materials

1 Hexagon Screw	S30408	4 Spring of Gland Nut	S30210	7 Body	CF8
2 Bonnet	CF8	5 Spring Pad	S30408		
3 Gasket	RPTFE	6 Filter Assembly	S30408		

Model No.	Specifications & Dimensions (mm)						Weight(kg)
	H	L	D0	D1	D2	B	
DGF-10L	55	60	Ø13	Ø14.5	Ø24	6	
DGF-15L	62	65	Ø15	Ø18.5	Ø29.5	6	
DGF-20L	70	80	Ø20	Ø25.5	Ø36	8	
DGF-25L	77	90	Ø25	Ø32.5	Ø43.5	8	
DGF-32L	89	105	Ø32	Ø38.5	Ø53	8	
DGF-40L	98	120	Ø40	Ø45.5	Ø62	8	
DGF-50L	111	140	Ø50	Ø57.5	Ø72	10	
DGF-10YL	55	60	Ø13	Ø14.5	Ø24	6	
DGF-15YL	62	65	Ø15	Ø18.5	Ø29.5	6	
DGF-20YL	70	80	Ø20	Ø25.5	Ø36	8	
DGF-25YL	77	90	Ø25	Ø32.5	Ø43.5	8	
DGF-32YL	89	105	Ø32	Ø38.5	Ø53	8	
DGF-40YL	98	120	Ø40	Ø45.5	Ø62	8	
DGF-50YL	111	140	Ø50	Ø57.5	Ø72	10	

Remarks:

There are three kinds of filters with 100 meshes, 150 meshes and 200 meshes.

The model No. is DGF-XXL (XXX) , and DGF-XXL is the main model while (XXX) is the filter model.

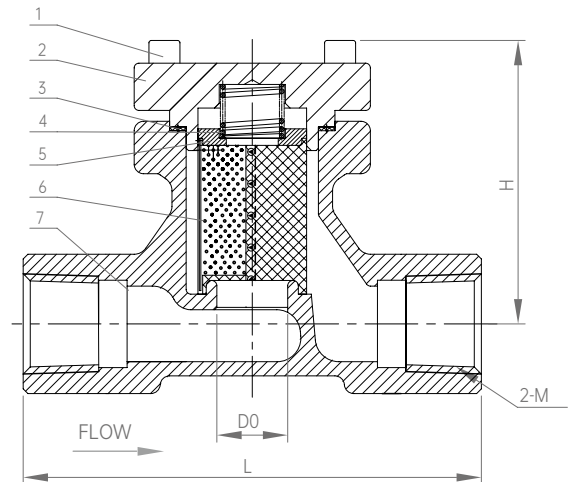
For example, if you need the cryogenic strainer valve with the size of 3/8" and 150 meshes, the model should be DGF-10L (150M) .

Cryogenic Strainer Valve

Parameters

PN: 4.0MPa
DN: Ø10 ~ Ø50
Design Temp.: -196°C ~+80°C
Media: LNG, LO₂, LN₂, LAr

Connection: Thread Connection



This kind of product has certified by CE, EAC, TS and CCS
Standards: GB/T 24925, EN1626:2008, TR CU 032/2013

Materials

1 Hexagon Screw	S30408	4 Spring of Gland Nut	S30210	7 Body	CF8
2 Bonnet	CF8	5 Spring Pad	S30408		
3 Gasket	RPTFE	6 Filter Assembly	S30408		

Model No.	Specifications & Dimensions (mm)				Weight(kg)
	H	L	D0	D1	
DGF-10NPT	55	60	Ø13	NPT 3/8	
DGF-15NPT	62	65	Ø15	NPT 1/2	
DGF-20NPT	70	80	Ø20	NPT 3/4	
DGF-25NPT	77	90	Ø25	NPT 1	

Remarks:

There are three kinds of filters with 100 meshes, 150 meshes and 200 meshes.
The model No. is DGF-XXNPT (XXX) , and DGF-XXNPT is the main model while (XXX) is the filter model.
For example, if you need the cryogenic strainer valve with the size of 3/8" and 150 meshes, the model should be DGF-10NPT (150M) .

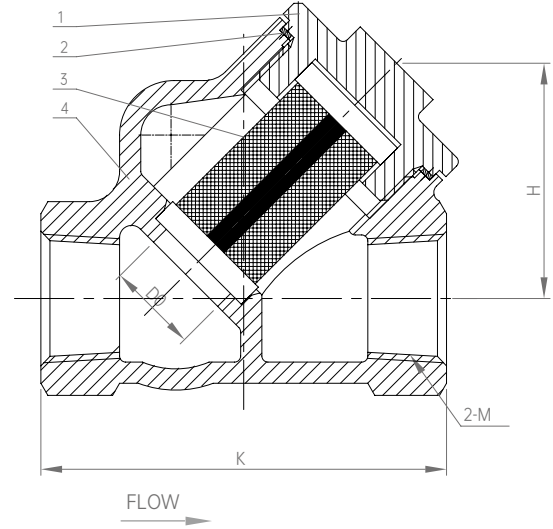


Cryogenic Strainer Valve

Parameters

PN: 4.0MPa
DN: Ø10 ~ Ø50
Design Temp.: -196°C ~ +80°C
Media: LNG, LO₂, LN₂, LAr

Connection: Thread Connection



This kind of product has certified by CE, EAC, TS and CCS
Standards: GB/T 24925, EN1626:2008, TR CU 032/2013

Materials

1 Bonnet	CF8	3 Filter Assembly	H62
2 Gasket	T2	4 Body	CF8

Model No.	Specifications & Dimensions (mm)				Weight(kg)
	H	K	D0	M	
DGF-15B	39	67	Ø15	NPT 1/2	
DGF-25B	54	95	Ø25	NPT 1	

Remarks:

There are three kinds of filters with 100 meshes, 150 meshes and 200 meshes.

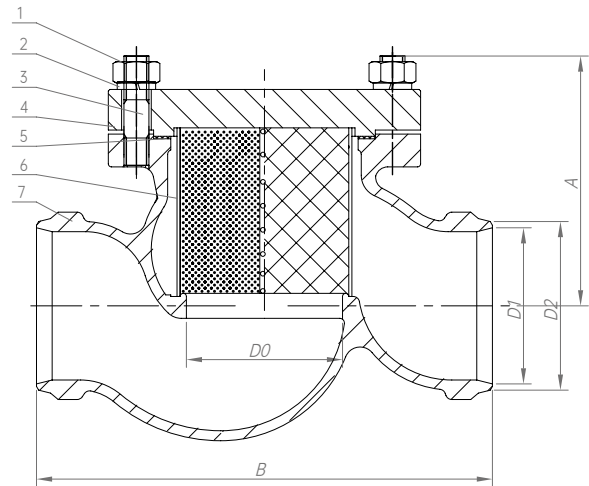
The model No. is DGF-XXB (XXX) , and DGF-XXB is the main model while (XXX) is the filter model.

For example, if you need the cryogenic strainer valve with the size of 1/2" and 150 meshes, the model should be DGF-15B(150M).

Cryogenic Strainer Valve

Parameters

PN: 4.0MPa
 DN: Ø65 ~ Ø100
 Design Temp.: -196°C ~ +80°C
 Media: LNG, LO₂, LN₂, LAr
 Connection: Butt Weld



This kind of product has certified by CE, EAC, TS and CCS
 Standards: GB/T 24925, EN1626:2008, TR CU 032/2013

Materials

1 Hexagon Nut	S30408	4 Bonnet	S30408	7 Body	CF8
2 Spring Washer	S30408	5 Washer	RPTFE		
3 Double End Stud	S30408	6 Filter Assembly	S30408		

Model No.	Specifications & Dimensions (mm)					Weight(kg)
	A	B	D0	D1	D2	
DGF-65	112	216	Ø65	Ø70	Ø76	
DGF-80	118	241	Ø80	Ø81	Ø89	
DGF-100	138	292	Ø100	Ø100	Ø108	

Remarks:

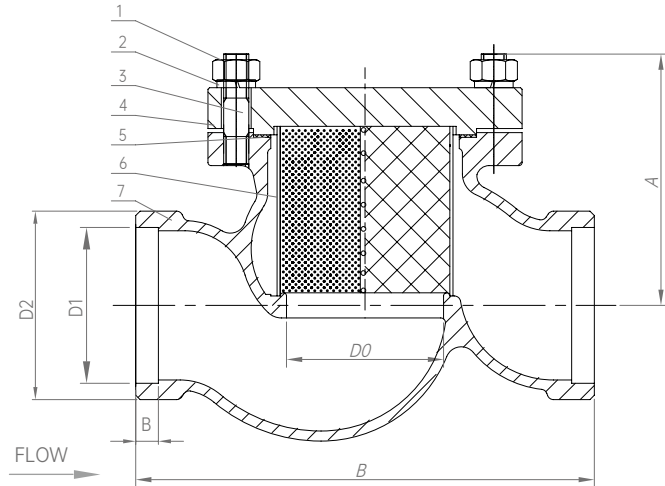
There are three kinds of filters with 100 meshes, 150 meshes and 200 meshes.
 The model No. is DGF-XX (XXX) , and DGF-XX is the main model while (XXX) is the filter model.
 For example, if you need the cryogenic strainer valve with the size of 2-1/2" and 150 meshes, the model should be DGF-65 (150M) .



Cryogenic Strainer Valve

Parameters

PN: 4.0MPa
DN: Ø65 ~ Ø100
Design Temp.: -196°C ~+80°C
Media: LNG, LO₂, LN₂, LAr
Connection: Socket Weld



This kind of product has certified by CE, EAC, TS and CCS
Standards: GB/T 24925, EN1626:2008, TR CU 032/2013

Materials

1 Hexagon Nut	S30408	4 Bonnet	S30408	7 Body	CF8
2 Spring Washer	S30408	5 washer	RPTFE		
3 Double End Stud	S30408	6 Filter Assembly	S30408		

Model No.	Specifications & Dimensions (mm)						Weight(kg)
	A	B	D0	D1	D2	B	
DGF-65B	112	216	Ø65	Ø76.5	Ø85	15	
DGF-80B	118	241	Ø80	Ø89.5	Ø103	15	
DGF-100B	138	292	Ø100	Ø108.5	Ø120	15	

Remarks:

There are three kinds of filters with 100 meshes, 150 meshes and 200 meshes.
The model No. is DGF-XX (XXX) , and DGF-XX is the main model while (XXX) is the filter model.
For example, if you need the cryogenic strainer valve with the size of 2-1/2" and 150 meshes, the model should be DGF-65B (150M) .

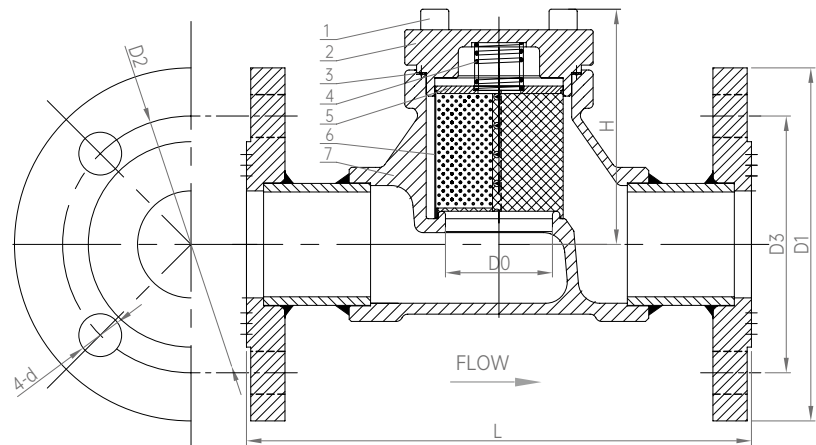
Cryogenic Strainer Valve

Parameters

PN: 4.0MPa
DN: Ø10 ~ Ø50
Design Temp.: -196°C ~ +80°C
Media: LNG, LO₂, LN₂, LAr

Connection:

Flanged connection with PN 40



This kind of product has certified by CE, EAC, TS and CCS
Standards: GB/T 24925, EN1626:2008, TR CU 032/2013

Materials

1 Hexagon Screw	S30408	4 Spring of Gland Nut	S30210	7 Body	CF8
2 Bonnet	CF8	5 Spring Pad	S30408		
3 Gasket	RPTFE	6 Filter Assembly	S30408		

Model No.	Specifications & Dimensions (mm)							Weight(kg)
	H	L	D0	D1	D2	D3	d	
DGF-15F	62	129	Ø15	Ø95	Ø65	Ø45	Ø14	
DGF-20F	70	154	Ø20	Ø105	Ø75	Ø58	Ø14	
DGF-25F	77	166	Ø25	Ø115	Ø85	Ø68	Ø14	
DGF-32F	89	185	Ø32	Ø140	Ø100	Ø78	Ø18	
DGF-40F	98	214	Ø40	Ø150	Ø110	Ø88	Ø18	
DGF-50F	111	240	Ø50	Ø165	Ø125	Ø102	Ø18	

Remarks:

There are three kinds of filters with 100 meshes, 150 meshes and 200 meshes.

The model No. is DGF-XX (XXX) , and DGF-XX is the main model while (XXX) is the filter model.

For example, if you need the cryogenic strainer valve with the size of 1/2" and 150 meshes, the model should be DGF-15F(150M).

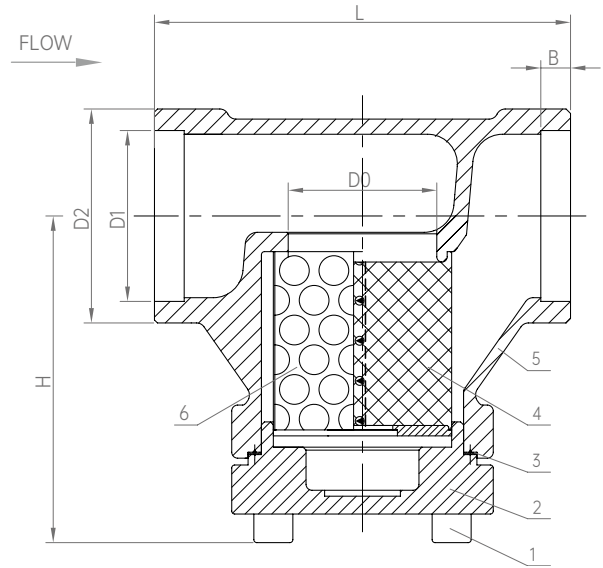


Cryogenic Strainer Valve

Parameters

PN: 4.0MPa
DN: Ø10~Ø50
Design Temp.: -196°C ~+80°C
Media: LNG, LO₂, LN₂, LAr, CO₂

Connection : Socket Weld



This kind of product has certified by CE, EAC, TS and CCS
Standards: GB/T 24925, EN1626:2008, TR CU 032/2013

Materials

1	Screw	S30408	4	Brass Filter	50meshes or Monel Filter 1000 meshes
2	Bonnet	B62	5	Body	B62
3	Gasket	D#9000	6	Mesh Plate	HPb59-1

Remarks: DGF-15.99.xx

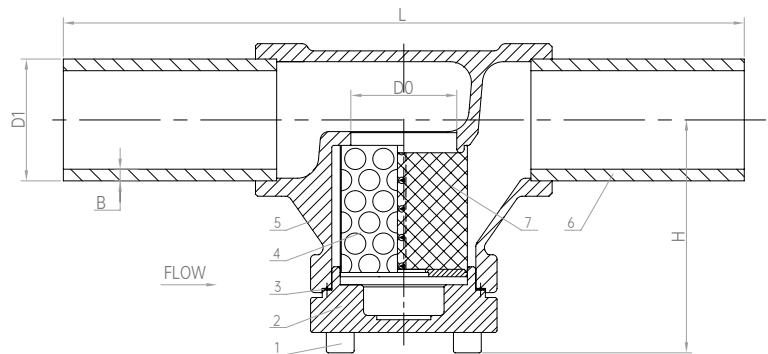
01: metric system Socket Weld 03: British system Socket Weld
Materials of Body and Bonnet : B62
DN

Model No.	Specifications & Dimensions (mm)								Weight(kg)
	H	L	D0	D1 metric system	D1 British system	D2	B	Cv	
DGF-10.99.xx	55	60	13	14.5	17.8	24	6	1.7	
DGF-15.99.xx	62	65	15	18.5	21.8	29.5	6	3.9	
DGF-20.99.xx	70	80	20	25.5	27.4	36	8	7.5	
DGF-25.99.xx	77	90	25	32.5	34.2	43.5	8	11.0	
DGF-32.99.xx	89	105	32	38.5	42.9	53	8	16.2	
DGF-40.99.xx	98	120	40	45.5	48.8	62	8	24.3	
DGF-50.99.xx	111	140	50	57.5	60.8	72	10	32.4	

Cryogenic Strainer Valve

Parameters

PN: 4.0MPa
DN: Ø10~Ø50
Design Temp.: -196°C ~+80°C
Media: LNG. LO₂. LN₂. LAr. CO₂

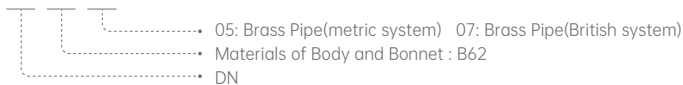


This kind of product has certified by CE, EAC, TS and CCS
Standards: GB/T 24925, EN1626:2008, TR CU 032/2013

Materials

1	Screw	S30408	5	Body	B62
2	Bonnet	C37700	6	Connecting Pipe	C12200
3	Gasket	D#9000	7	Brass Filter	or Monel Filter 1000 meshes
4	Support Plate	H62			

Remarks: DGF-15.99.xx



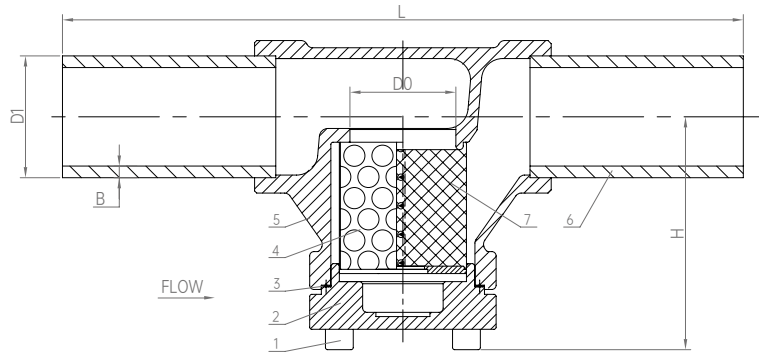
Model No.	Specifications & Dimensions (mm)							Weight(kg)
	H	L	D0	D1 metric system	D1 British system	B	Cv	
DGF-10.99.xx	55	360	13	14	17.2	1.0	1.7	
DGF-15.99.xx	62	365	15	18	21.3	1.5	3.9	
DGF-20.99.xx	70	380	20	25	26.9	1.5	7.5	
DGF-25.99.xx	77	390	25	32	33.7	1.5	11.0	
DGF-32.99.xx	89	405	32	38	42.4	1.5	16.2	
DGF-40.99.xx	98	420	40	45	48.3	1.5	24.3	
DGF-50.99.xx	111	440	50	57	60.3	2.0	32.4	



Cryogenic Strainer Valve

Parameters

PN: 4.0MPa
DN: Ø10~Ø50
Design Temp.: -196°C ~+80°C
Media: LNG, LO₂, LN₂, LAr

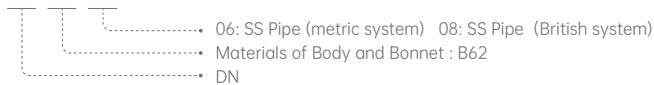


This kind of product has certified by CE, EAC, TS and CCS
Standards: GB/T 24925, EN1626:2008, TR CU 032/2013

Materials

1	Screw	S30408	5	Body	B62
2	Bonnet	C37700	6	Connecting Pipe	C12200
3	Gasket	D#9000	7	Brass Filter	or Monel Filter 1000 meshes
4	Support Plate	H62			

Remarks: **DGF-15.99.xx**

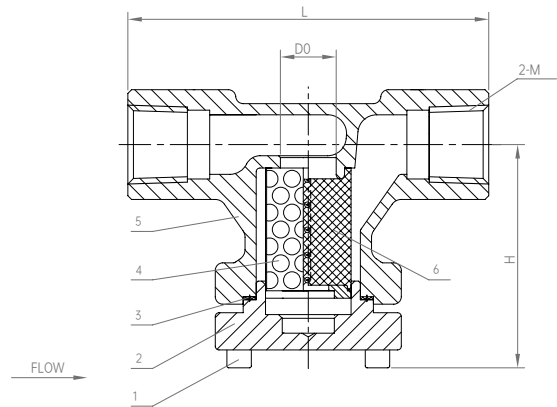


Model No.	Specifications & Dimensions (mm)								Weight(kg)
	H	L	D0	D1 metric system	D1 British system	B metric system	B British system	Cv	
DGF-10.99.xx	55	210	13	14	17.2	2.5	2.31	1.7	
DGF-15.99.xx	62	215	15	18	21.3	2.8	2.77	3.9	
DGF-20.99.xx	70	230	20	25	26.9	3.0	2.87	7.5	
DGF-25.99.xx	77	240	25	32	33.7	3.5	3.38	11.0	
DGF-32.99.xx	89	255	32	38	42.4	3.6	3.56	16.2	
DGF-40.99.xx	98	270	40	45	48.3	3.6	3.68	24.3	
DGF-50.99.xx	111	290	50	57	60.3	4.0	3.91	32.4	

Cryogenic Strainer Valve

Parameters

PN: 4.0MPa
DN: Ø10~Ø50
Design Temp.: -196°C ~+80°C
Media: LNG. LO₂. LN₂. LAr

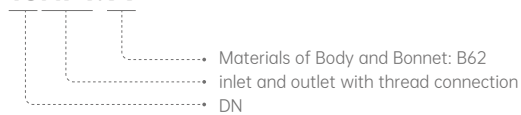


This kind of product has certified by CE, EAC, TS and CCS
Standards: GB/T 24925, EN1626:2008, TR CU 032/2013

Materials

1	Screw	S30408	4	Mesh Plate	HPb59-1
2	Bonnet	B62	5	Body	B62
3	Gasket	D#9000	6	Brass Filter	150meshes or Monel Filter 1000 meshes

Remarks: **DGF-15NPT.99**



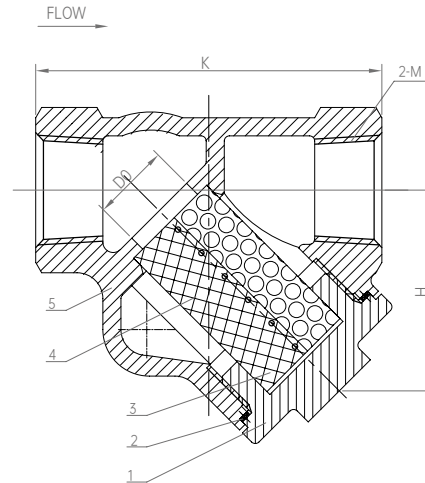
Model No.	Specifications & Dimensions (mm)					Weight(kg)
	H	L	D0	M	Cv	
DGF-10NPT.99	55	60	13	NPT 3/8	1.7	
DGF-15NPT.99	62	65	15	NPT 1/2	3.9	
DGF-20NPT.99	70	80	20	NPT 3/4	7.5	
DGF-25NPT.99	77	90	25	NPT 1	11.0	



Cryogenic Strainer Valve

Parameters

PN: 4.0MPa
DN: Ø15
Design Temp.: -196°C ~+80°C
Media: LNG, LO₂, LN₂, LAr



This kind of product has certified by CE, EAC, TS and CCS
Standards: GB/T 24925, EN1626:2008, TR CU 032/2013

Materials

1	Bonnet	C37700	4	Filter	Brass Filter 150meshes or Monel Filter 1000 meshes
2	Gasket	D#9000	5	Body	B62
3	Support Plate	H62			

Remarks: **DGF-15B.XX**



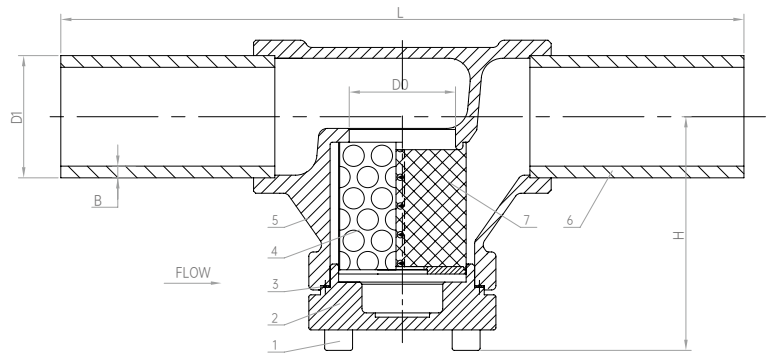
Model No.	Specifications & Dimensions (mm)				Weight(kg)
	K	D0	H	Cv	
DGF-15B.99	67	15	39	NPT 1/2	



Cryogenic Strainer Valve

Parameters

PN: 4.0MPa
DN: Ø25
Design Temp.: -196°C ~+80°C
Media: LNG, LO₂, LN₂, LAr



This kind of product has certified by CE, EAC, TS and CCS
Standards: GB/T 24925, EN1626:2008, TR CU 032/2013

Materials

1	Screw	S30408	5	Body	B62
2	Bonnet	C37700	6	Connecting Pipe	C12200
3	Gasket	D#9000	7	Filter	Monel Brass Filter 1000 meshes
4	Support Plate	H62			

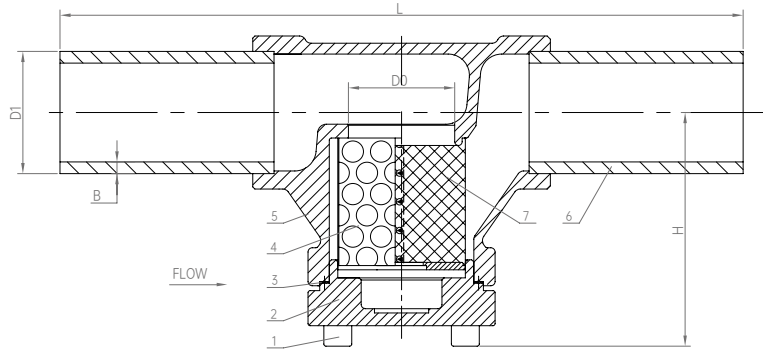
Model No.	Specifications & Dimensions (mm)						Weight(kg)
	H	L	D0	D1 metric system	B	Cv	
DGF-25.99.05A	77	240	25	32	1.5	11.0	



Cryogenic Strainer Valve

Parameters

PN: 4.0MPa
DN: Ø25
Design Temp.: -196°C ~+80°C
Media: LNG. LO₂. LN₂. LAr



This kind of product has certified by CE, EAC, TS and CCS
Standards: GB/T 24925, EN1626:2008, TR CU 032/2013

Materials

1	Screw	S30408	5	Body	B62
2	Bonnet	C37700	6	Connecting Pipe	C12200
3	Gasket	D#9000	7	Filter	Monel Brass Filter 800 meshes
4	Support Plate	H62			

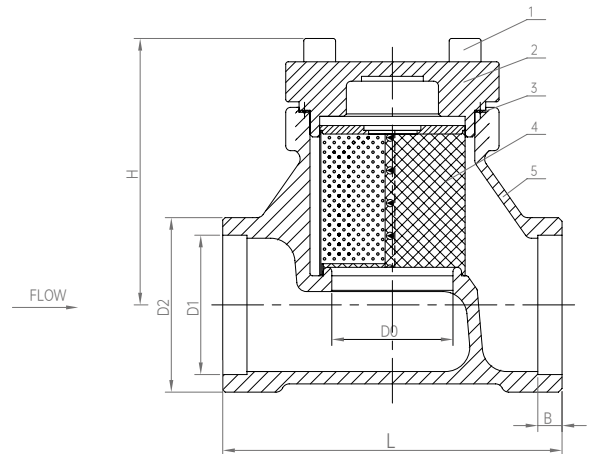
Model No.	Specifications & Dimensions (mm)						Weight(kg)
	H	L	D0	D1 metric system	B	Cv	
DGF-25.99.05B	77	240	25	32	1.5	11.0	

Cryogenic Strainer Valve

Parameters

PN: 4.0MPa
DN: Ø10~Ø50
Design Temp.: -196°C ~+80°C
Media: LNG. LO₂. LN₂. LAr

Connection : Socket Weld



This kind of product has certified by CE, EAC, TS and CCS
Standards: GB/T 24925, EN1626:2008, TR CU 032/2013

Materials

1	Screw	S30408	4	Brass Filter	150meshes or Monel Filter 1000 meshes
2	Bonnet	CF8	5	Body	CF8
3	Gasket	D#9000			

Remarks: **DGF-15.98.xx**

- 01: metric system Socket Weld 03: British system Socket Weld
- Materials of Body and Bonnet : CF8
- DN

Model No.	Specifications & Dimensions (mm)								Weight(kg)
	H	L	D0	D1 metric system	D1 British system	D2	B	Cv	
DGF-10.98.xx	55	60	13	14.5	17.8	24	6	1.7	
DGF-15.98.xx	62	65	15	18.5	21.8	29.5	6	3.9	
DGF-20.98.xx	70	80	20	25.5	27.4	36	8	7.5	
DGF-25.98.xx	77	90	25	32.5	34.2	43.5	8	11.0	
DGF-32.98.xx	89	105	32	38.5	42.9	53	8	16.2	
DGF-40.98.xx	98	120	40	45.5	48.8	62	8	24.3	
DGF-50.98.xx	111	140	50	57.5	60.8	72	10	32.4	

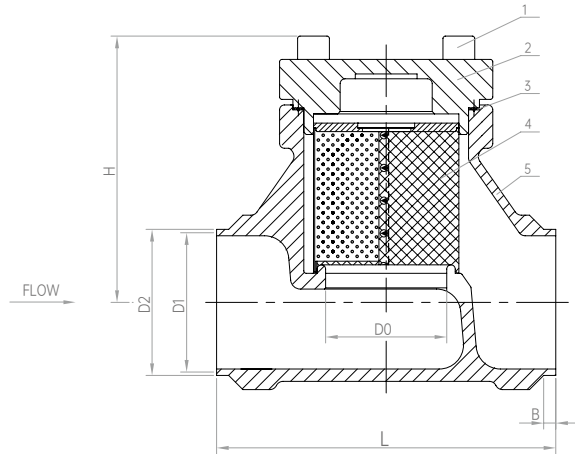


Cryogenic Strainer Valve

Parameters

PN: 4.0MPa
DN: Ø10~Ø50
Design Temp.: -196°C ~+80°C
Media: LNG, LO₂, LN₂, LAr

Connection : Butt Weld



This kind of product has certified by CE, EAC, TS and CCS
Standards: GB/T 24925, EN1626:2008, TR CU 032/2013

Materials

1	Screw	S30408	4	Brass Filter	150meshes or Monel Filter 1000 meshes
2	Bonnet	CF8	5	Body	CF8
3	Gasket	D#9000			

Remarks: **DGF-15.98.xx**

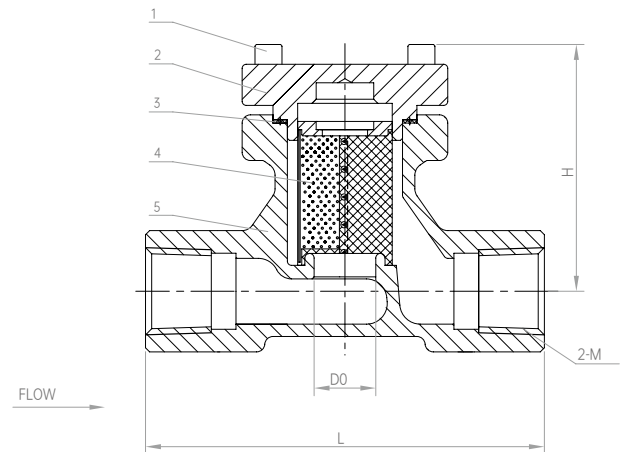
02: metric system Butt Weld 04: British system Butt Weld
Materials of Body : CF8
DN

Model No.	Specifications & Dimensions (mm)									
	H	L	D0	D1 metric system	D2 metric system	D1 British system	D2 British system	B	Cv	Weight(kg)
DGF-10.98.xx	55	60	13	10	14	13	17.2	4	1.7	
DGF-15.98.xx	62	65	15	14	18	17.08	21.3	5	3.9	
DGF-20.98.xx	70	80	20	20	25	22.48	26.9	5	7.5	
DGF-25.98.xx	77	90	25	27	32	27.9	33.7	5	11.0	
DGF-32.98.xx	89	105	32	32	38	36	42.4	5	16.2	
DGF-40.98.xx	98	120	40	39	45	43	48.3	5	24.3	
DGF-50.98.xx	111	140	50	51	57	55	60.3	5	32.4	

Cryogenic Strainer Valve

Parameters

PN: 4.0MPa
DN: Ø10~Ø25
Design Temp.: -196°C ~+80°C
Media: LNG, LO₂, LN₂, LAr

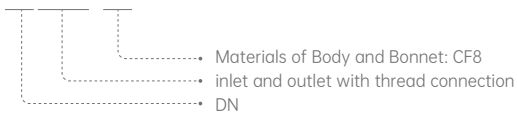


This kind of product has certified by CE, EAC, TS and CCS
Standards: GB/T 24925, EN1626:2008, TR CU 032/2013

Materials

1	Screw	S30408	4	Brass Filter	150meshes or Monel Filter 1000 meshes
2	Bonnet	CF8	5	Body	CF8
3	Gasket	D#9000			

Remarks: **DGF-15NPT.98**



Model No.	Specifications & Dimensions (mm)					Weight(kg)
	H	L	D0	M	Cv	
DGF-10NPT.98	55	60	13	NPT 3/8	1.7	
DGF-15NPT.98	62	65	15	NPT 1/2	3.9	
DGF-20NPT.98	70	80	20	NPT 3/4	7.5	
DGF-25NPT.98	77	90	25	NPT 1	11.0	

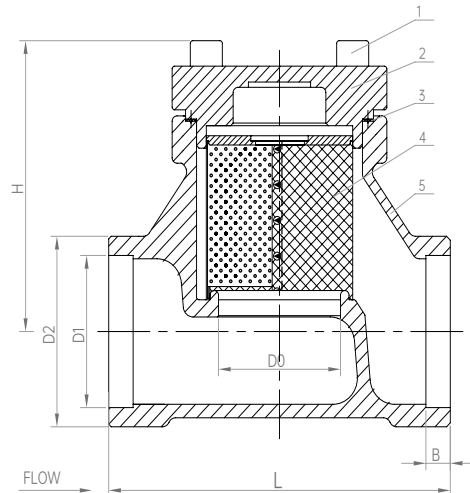


Cryogenic Strainer Valve

Parameters

PN: 4.0MPa
DN: Ø10~Ø50
Design Temp.: -196°C ~+80°C
Media: LNG, LO₂, LN₂, LAr.

Connection : Socket Weld



This kind of product has certified by CE, EAC, TS and CCS
Standards: GB/T 24925, EN1626:2008, TR CU 032/2013

Materials

1	Screw	S30408	4	Brass Filter	150meshes or Monel Filter 1000 meshes
2	Bonnet	C37700	5	Body	CF8
3	Gasket	D#9000			

Remarks: **DGF-15.97.xx**

- 01: metric system Socket Weld 03: British system Socket Weld
- Materials of Body and Bonnet : CF8
- DN

Model No.	Specifications & Dimensions (mm)								Weight(kg)
	H	L	D0	D1 metric system	D1 British system	D2	B	Cv	
DGF-10.97.xx	55	60	13	14.5	17.8	24	6	1.7	
DGF-15.97.xx	62	65	15	18.5	21.8	29.5	6	3.9	
DGF-20.97.xx	70	80	20	25.5	27.4	36	8	7.5	
DGF-25.97.xx	77	90	25	32.5	34.2	43.5	8	11.0	
DGF-32.97.xx	89	105	32	38.5	42.9	53	8	16.2	
DGF-40.97.xx	98	120	40	45.5	48.8	62	8	24.3	
DGF-50.97.xx	111	140	50	57.5	60.8	72	10	32.4	

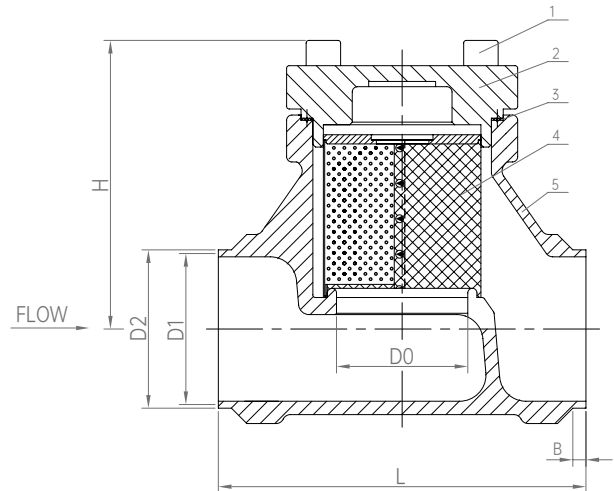


Cryogenic Strainer Valve

Parameters

PN: 4.0MPa
DN: Ø10~Ø50
Design Temp.: -196°C ~+80°C
Media: LNG. LO₂. LN₂. LAr

Connection : Butt Weld

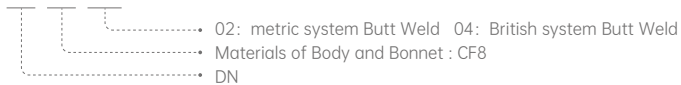


This kind of product has certified by CE, EAC, TS and CCS
Standards: GB/T 24925, EN1626:2008, TR CU 032/2013

Materials

1	Screw	S30408	4	Brass Filter	150meshes or Monel Filter 1000 meshes
2	Bonnet	C37700	5	Body	CF8
3	Gasket	D#9000			

Remarks: **DGF-15.97.xx**



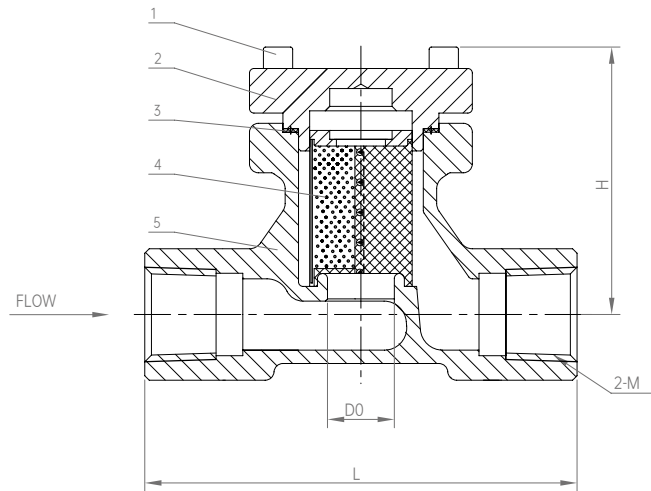
Model No.	Specifications & Dimensions (mm)									Weight(kg)
	H	L	D0	D1 metric system	D2 metric system	D1 British system	D2 British system	B	Cv	
DGF-10.97.xx	55	60	13	10	14	13	17.2	4	1.7	
DGF-15.97.xx	62	65	15	14	18	17.08	21.3	5	3.9	
DGF-20.97.xx	70	80	20	20	25	22.48	26.9	5	7.5	
DGF-25.97.xx	77	90	25	27	32	27.9	33.7	5	11.0	
DGF-32.97.xx	89	105	32	32	38	36	42.4	5	16.2	
DGF-40.97.xx	98	120	40	39	45	43	48.3	5	24.3	
DGF-50.97.xx	111	140	50	51	57	55	60.3	5	32.4	



Cryogenic Strainer Valve

Parameters

PN: 4.0MPa
DN: Ø10~Ø25
Design Temp.: -196°C ~+80°C
Media: LNG, LO₂, LN₂, LAr

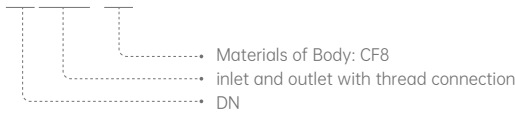


This kind of product has certified by CE, EAC, TS and CCS
Standards: GB/T 24925, EN1626:2008, TR CU 032/2013

Materials

1	Screw	S30408	4	Brass Filter	150meshes or Monel Filter 1000 meshes
2	Bonnet	C37700	5	Body	CF8
3	Gasket	D#9000			

Remarks: **DGF-15NPT.97**



Model No.	Specifications & Dimensions (mm)					Weight(kg)
	H	L	D0	M	Cv	
DGF-10NPT.97	55	60	13	NPT 3/8	1.7	
DGF-15NPT.97	62	65	15	NPT 1/2	3.9	
DGF-20NPT.97	70	80	20	NPT 3/4	7.5	
DGF-25NPT.97	77	90	25	NPT 1	11.0	

Other Valves

www.baituvalves.com

BAITU CRYOGENIC VALVE



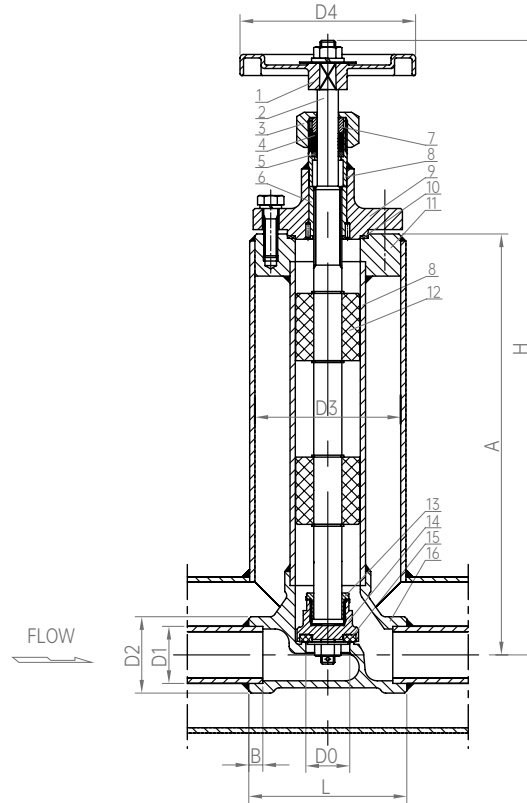


Cryogenic Globe Valve Vacuum Jacketed

Parameters

PN: 4.0MPa
DN: Ø15~Ø50
Design Temp.: -196°C ~+80°C
Media: LNG, LO₂, LN₂, LAr, CO₂

Connection : Socket Weld



This kind of product has certified by EAC and TS
Standards: GB/T 24925, TR CU 032/2013

Materials

1	Hand Wheel	Y102	7	Gland	HPb59-1	13	Connecting Nut	S30408
2	Stem	S30408	8	Connecting Pipe	S30408	14	Disc	S30408
3	Gland Nut	S30408	9	Bonnet	CF8	15	Disc Sealing	PCTFE
4	Washer	PTFE	10	Washer	RPTFE	16	Body	CF8
5	Washer	HPb59-1	11	Flange	S30408			
6	Bushing	HPb59-1	12	Pilot Sleeve	PTFE			

Model No.	Specifications & Dimensions (mm)										Weight(kg)
	H Opening	H Closing	A	B	L	D0	D1	D2	D3	D4	
DZJ-15	359	345	250	6	65	Ø15	Ø18.5	Ø29.5	Ø63	Ø80	2.2
DZJ-25	364	349	240	8	90	Ø25	Ø32.5	Ø43.5	Ø82	Ø100	
DZJ-32	370	357	250	8	105	Ø32	Ø38.5	Ø53	Ø101	Ø100	
DZJ-40	434	416	286.5	8	120	Ø40	Ø45.5	Ø62	Ø101	Ø125	
DZJ-50	436	421	290	10	140	Ø50	Ø57.5	Ø72	Ø126	Ø140	

Cryogenic Globe Valve Vacuum Jacketed

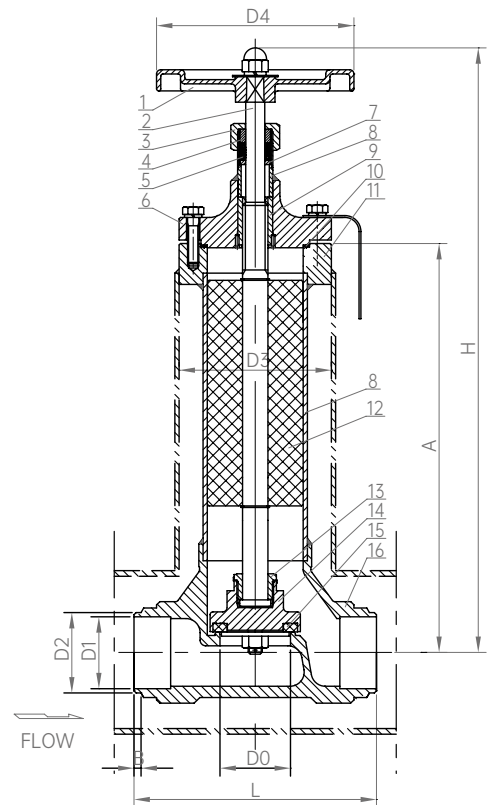
Parameters

PN: 4.0MPa
DN: Ø15~Ø50
Design Temp.: -196°C ~+80°C
Media: LNG, LO₂, LN₂, LAr, CO₂

Connection : Butt Weld



This kind of product has certified by EAC and TS
Standards: GB/T 24925, TR CU 032/2013



Materials

1 Hand Wheel	Y102	7 Washer	HPb59-1	13 Connecting Nut	S30408
2 Stem	S30408	8 Connecting Pipe	S30408	14 Disc	S30408
3 Gland Nut	S30408	9 Bushing	HPb59-1	15 Disc Sealing	PCTFE
4 Gland	HPb59-1	10 Washer	RPTFE	16 Body	CF8
5 Washer	PTFE	11 Flange	S30408		
6 Bonnet	CF8	12 Pilot Sleeve	PTFE		

Model No.	Specifications & Dimensions (mm)										Weight(kg)
	H Opening	H Closing	A	B	L	D0	D1	D2	D3	D4	
DZJ-15K	359	345	250	6	65	Ø15	Ø14	Ø18	Ø63	Ø80	2.2
DZJ-25K	364	349	240	8	90	Ø25	Ø27	Ø32	Ø82	Ø100	
DZJ-32K	370	357	250	8	105	Ø32	Ø32	Ø38	Ø101	Ø100	
DZJ-40K	434	416	286.5	8	120	Ø40	Ø39	Ø45	Ø101	Ø125	
DZJ-50K	436	421	290	10	140	Ø50	Ø51	Ø57	Ø126	Ø140	



Cryogenic Globe Valve Vacuum Jacketed

Parameters

PN: 4.0MPa

DN: Ø15

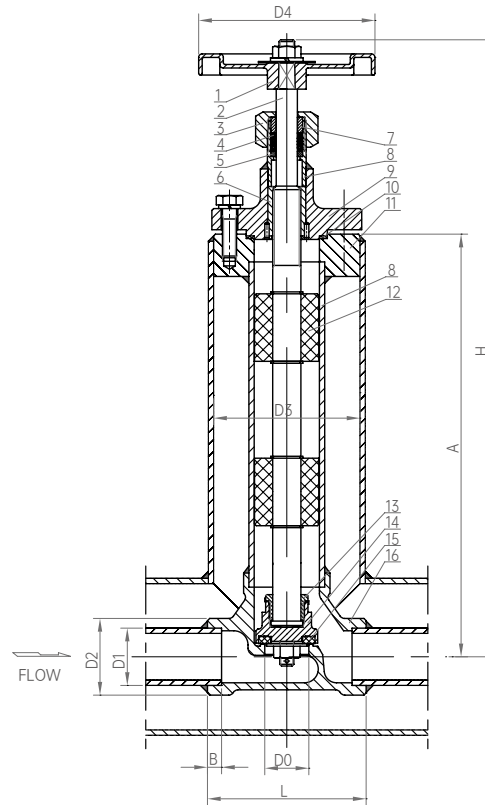
Design Temp.: -196°C ~+80°C

Media: LNG, LO₂, LN₂, LAr, CO₂

Connection : Socket Weld



This kind of product has certified by EAC and TS
Standards: GB/T 24925, TR CU 032/2013



Materials

1 Hand Wheel	Y102	7 Gland	HPb59-1	13 Connecting Nut	S30408
2 Stem	S30408	8 Connecting Pipe	S30408	14 Disc	S30408
3 Gland Nut	S30408	9 Bonnet	CF8	15 Disc Sealing	PCTFE
4 Washer	PTFE	10 Washer	RPTFE	16 Body	CF8
5 Washer	HPb59-1	11 Flange	S30408		
6 Bushing	HPb59-1	12 Pilot Sleeve	PTFE		

Model No.	Specifications & Dimensions (mm)										Weight(kg)
	H Opening	H Closing	A	B	L	D0	D1	D2	D3	D4	
DZJ-15Y	359	345	250	6	65	Ø15	Ø22.2	Ø29.5	Ø63	Ø80	2.2

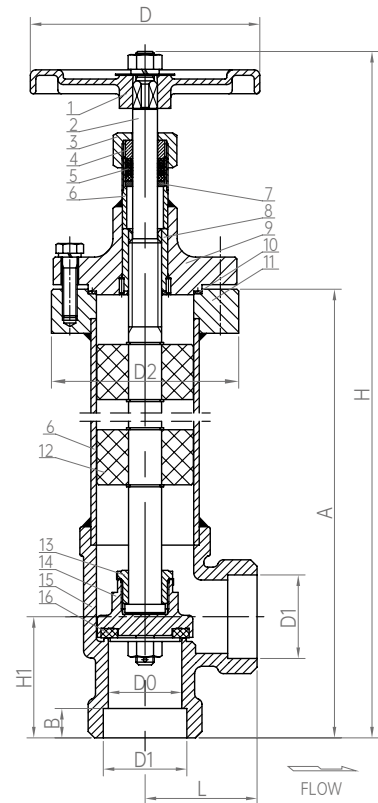
Cryogenic Globe Valve Vacuum Jacketed Angle Type

Parameters

PN: 4.0MPa
 DN: Ø40~Ø50
 Design Temp.: -196°C ~+80°C
 Media: LNG, LO₂, LN₂, LAr, CO₂
 Connection : Socket Weld



This kind of product has certified by EAC and TS
 Standards: GB/T 24925, TR CU 032/2013



Materials

1	Hand Wheel	Y102	7	Washer	HPb59-1	13	Connecting Nut	S30408
2	Stem	S30408	8	Bushing	HPb59-1	14	Disc	S30408
3	Gland Nut	S30408	9	Bonnet	CF8	15	Body	CF8
4	Gland	HPb59-1	10	Washer	RCTFE	16	Disc Sealing	PCTFE
5	Washer	PTFE	11	Flange	S30408			
6	Connecting Pipe	S30408	12	Pilot Sleeve	PTFE			

Model No.	Specifications & Dimensions (mm)										Weight(kg)
	H Opening	H Closing	A	B	L	D0	D1	D2	D3	D4	
DZJ-40J	479.5	465	66	336	15	61	Ø125	Ø40	Ø45.5	Ø101	
DZJ-50J	490.5	475.5	70	334.5	15	70	Ø140	Ø50	Ø57.5	Ø126	



Cryogenic Globe Valve Vacuum Jacketed

Parameters

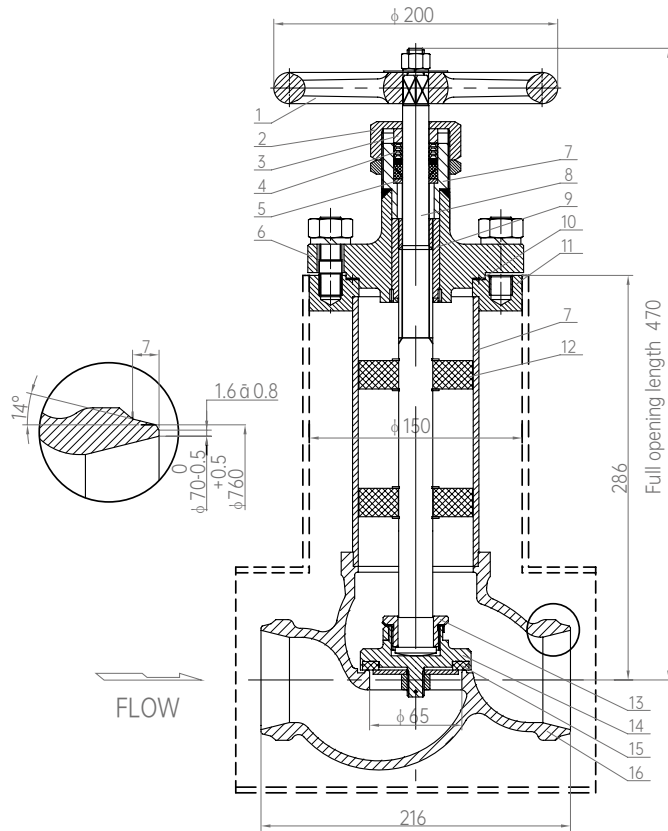
PN: 2.0MPa

DN: Ø65

Design Temp.: -196°C ~+80°C

Media: LNG, LO₂, LN₂, LAr, CO₂

Connection : Butt Weld



Model No.: DZJ-65



This kind of product has certified by EAC and TS
Standards: GB/T 24925, TR CU 032/2013

Materials

1 Hand Wheel	Y102	7 Connecting Pipe	S30408	13 Connecting Nut	S30408
2 Gland Nut	S30408	8 Stem	S30408	14 Disc	S30408
3 Gland	HPb59-1	9 Bushing	HPb59-1	15 Disc Sealing	PCTFE
4 Washer	PTFE	10 Washer	RPTFE	16 Body	CF8
5 Washer	HPb59-1	11 Flange	S30408		
6 Bonnet	CF8	12 Pilot Sleeve	PTFE		

Cryogenic Globe Valve Vacuum Jacketed

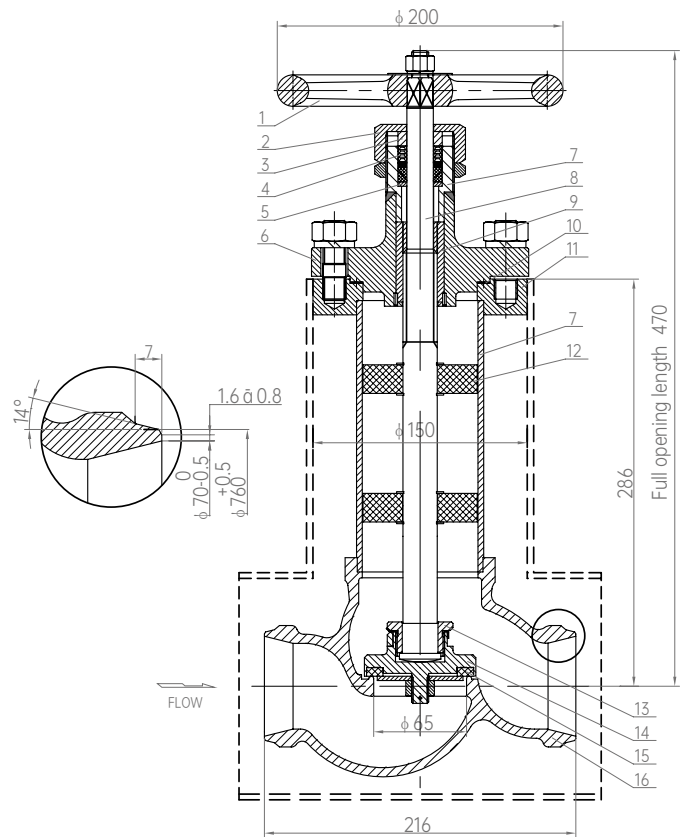
Parameters

PN: 4.0MPa
DN: Ø65
Design Temp.: -196°C ~+80°C
Media: LNG, LO₂, LN₂, LAr, CO₂

Connection : Butt Weld



This kind of product has certified by EAC and TS
Standards: GB/T 24925, TR CU 032/2013



Model No.: DZJ-65A1

Materials

1 Hand Wheel	Y102	7 Connecting Pipe	S30408	13 Connecting Nut	S30408
2 Gland Nut	S30408	8 Stem	S30408	14 Disc	S30408
3 Gland	HPb59-1	9 Bushing	HPb59-1	15 Disc Sealing	PCTFE
4 Washer	PTFE	10 Washer	RPTFE	16 Body	CF8
5 Washer	HPb59-1	11 Flange	S30408		
6 Bonnet	CF8	12 Pilot Sleeve	PTFE		



Cryogenic Check Valve Vacuum Jacketed

Parameters

PN: 4.0MPa

DN: Ø15~Ø50

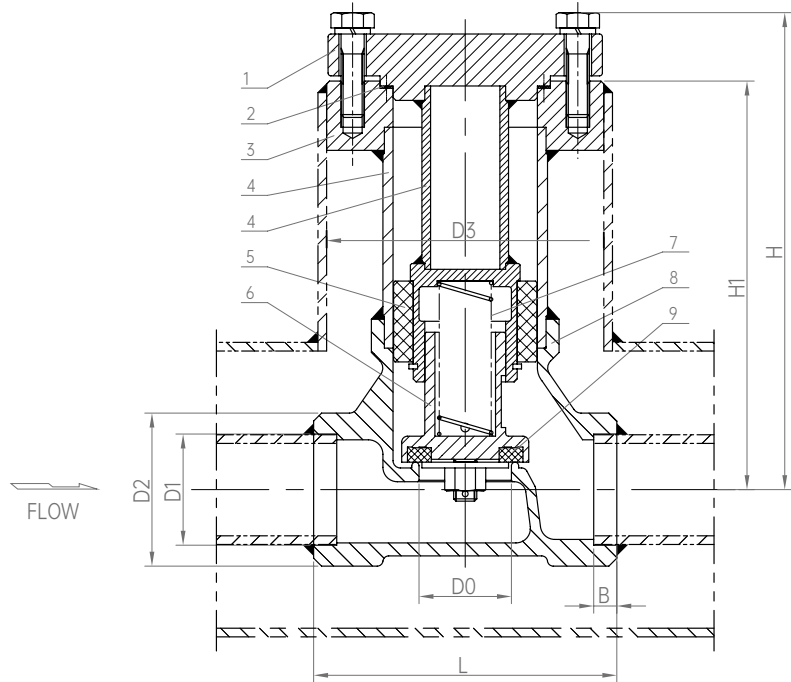
Design Temp.: -196°C ~+80°C

Media: LNG, LO₂, LN₂, LAr, CO₂

Connection : Socket Weld



This kind of product has certified by EAC and TS
Standards: GB/T 24925, TR CU 032/2013



Materials

1	Bonnet	S30408	4	Connecting Pipe	S30408	7	Spring	S30210
2	Washer	RPTFE	5	Pilot Sleeve	PTFE	8	Body	CF8
3	Flange	S30408	6	Disc	S30408	9	Disc Sealing	PCTFE

Model No.	Specifications & Dimensions (mm)								Weight(kg)
	H	H1	B	L	D0	D1	D2	D3	
DZH-15C	202	181	6	65	Ø15	Ø18.5	Ø29.5	Ø63	
DZH-25C	262.5	240	8	90	Ø25	Ø32.5	Ø43.5	Ø82	3.2
DZH-32C	273.5	250	8	105	Ø32	Ø38.5	Ø53	Ø101	
DZH-40C	310	286	8	120	Ø40	Ø45.5	Ø62	Ø101	
DZH-50C	315.5	290	10	140	Ø50	Ø57.5	Ø72	Ø126	

Cryogenic Check Valve Vacuum Jacketed

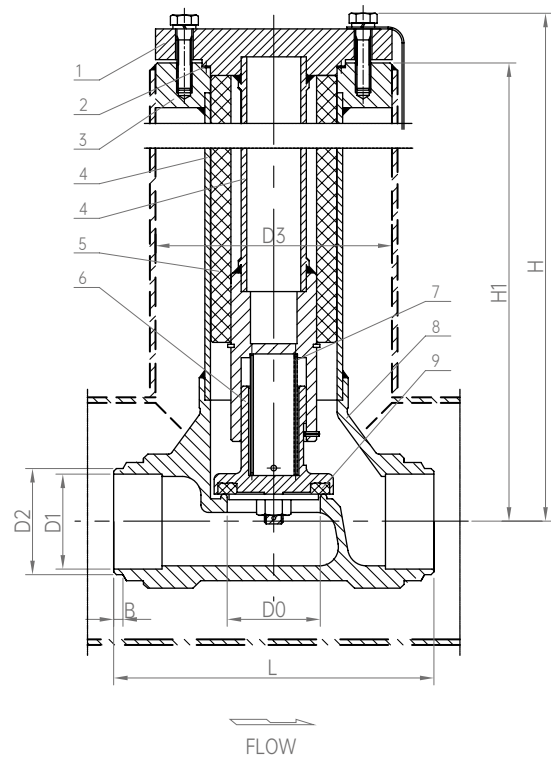
Parameters

PN: 4.0MPa
DN: Ø25~Ø50
Design Temp.: -196°C ~+80°C
Media: LNG, LO₂, LN₂, LAr, CO₂

Connection : Butt Weld



This kind of product has certified by EAC and TS
Standards: GB/T 24925, TR CU 032/2013



Materials

1	Bonnet	S30408	4	Connecting Pipe	S30408	7	Spring	S30210
2	Washer	RPTFE	5	Pilot Sleeve	PTFE	8	Body	CF8
3	Flange	S30408	6	Disc	S30408	9	Disc Sealing	PCTFE

Model No.	Specifications & Dimensions (mm)								Weight(kg)
	H	H1	B	L	D0	D1	D2	D3	
DZH-25K	262.5	240	8	90	Ø25	Ø27	Ø32	Ø82	
DZH-32K	273.5	250	8	105	Ø32	Ø32	Ø38	Ø101	
DZH-40K	310	286.5	8	120	Ø40	Ø39	Ø45	Ø101	
DZH-50K	315.5	290	10	140	Ø50	Ø51	Ø57	Ø126	



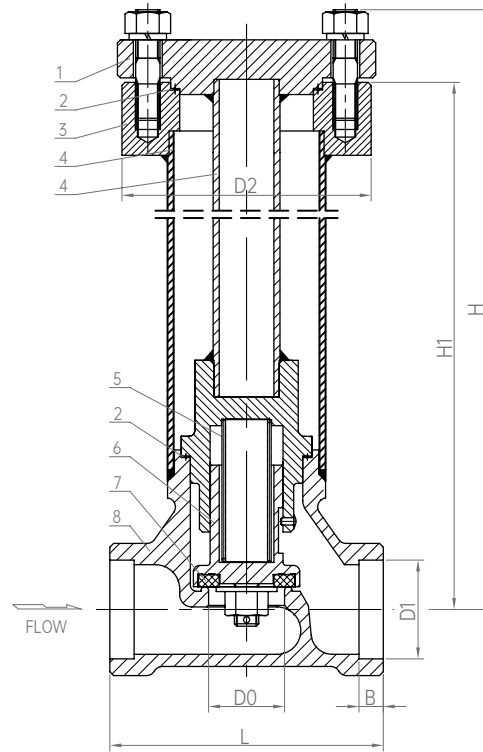
Cryogenic Check Valve Vacuum Jacketed

Parameters

PN: 4.0MPa
DN: Ø25
Design Temp.: -196°C ~+80°C
Media: LNG, LO₂, LN₂, LAr, CO₂
Connection : Socket Weld



This kind of product has certified by EAC and TS
Standards: GB/T 24925, TR CU 032/2013



Materials

1	Bonnet	S30408	5	Spring	S30210
2	Washer	RPTFE	6	Disc	S30408
3	Flange	S30408	7	Disc Sealing	PCTFE
4	Connecting Pipe	S30408	8	Body	CF8

Model No.	Specifications & Dimensions (mm)							Weight(kg)
	H	H1	L	D0	D1	D2	B	
DZH-25S	270	250	90	Ø25	Ø32.5	Ø82	8	

Cryogenic Check Valve Angel Type Vacuum Jacketed

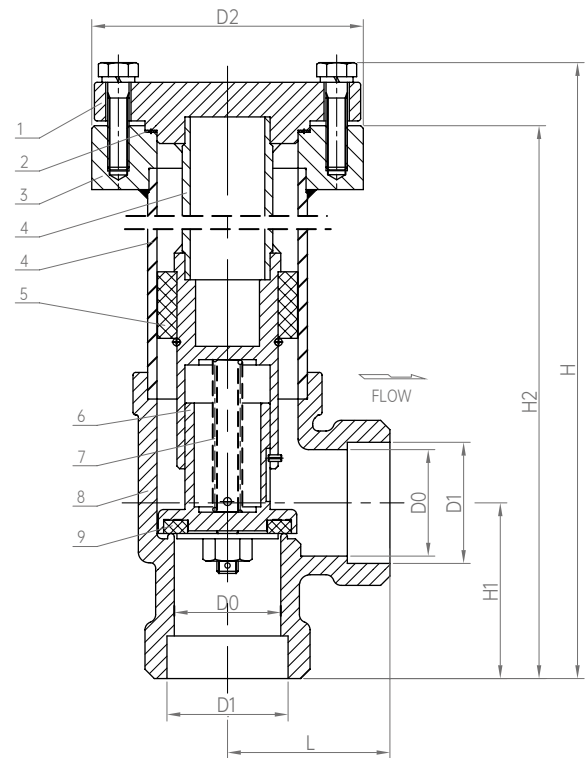
Parameters

PN: 4.0MPa
DN: Ø40
Design Temp.: -196°C ~+80°C
Media: LNG, LO₂, LN₂, LAr, CO₂

Connection : Socket Weld



This kind of product has certified by EAC and TS
Standards: GB/T 24925, TR CU 032/2013



Materials

1 Bonnet	S30408	4 Connecting Pipe	S30408	7 Spring	S30210
2 Washer	RPTFE	5 Pilot Sleeve	PTFE	8 Body	CF8
3 Flange	S30408	6 Disc	S30408	9 Disc Sealing	PCTFE

Model No.	Specifications & Dimensions (mm)								Weight(kg)
	H	H1	H2	L	B	D0	D1	D2	
DZH-40J	350	66	329	61	15	Ø40	Ø45.5	Ø101	

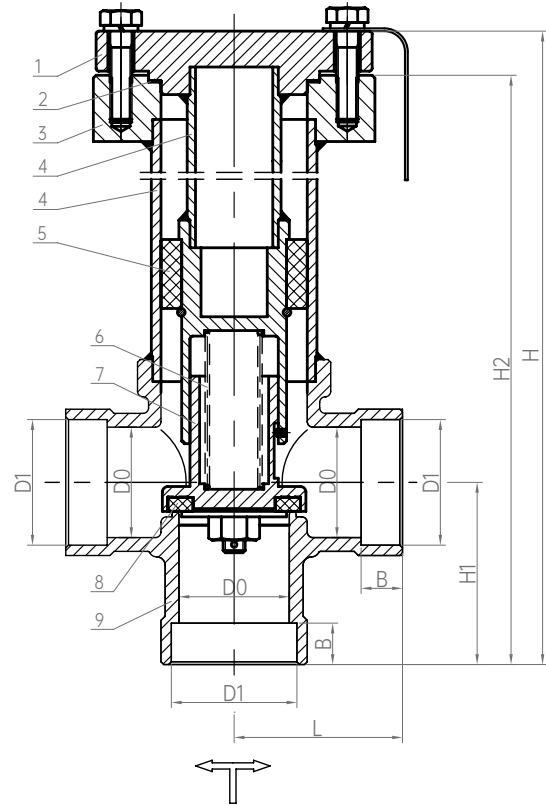


Cryogenic Check Valve AngelType Vacuum Jacketed

Parameters

PN: 4.0MPa
DN: Ø40
Design Temp.: -196°C ~+80°C
Media: LNG, LO₂, LN₂, LAr, CO₂

Connection : Socket Weld



This kind of product has certified by EAC and TS
Standards: GB/T 24925, TR CU 032/2013

Materials

1 Bonnet	S30408	4 Connecting Pipe	S30408	7 Disc	S30408
2 Washer	RPTFE	5 Pilot Sleeve	PTFE	8 Disc Sealing	PCTFE
3 Flange	S30408	6 Spring	S30210	9 Body	CF8

Model No.	Specifications & Dimensions (mm)							Weight(kg)
	H	H1	H2	L	D0	D1	B	
DZH-40JS	345	66	329	61	Ø40	Ø45.5	15	

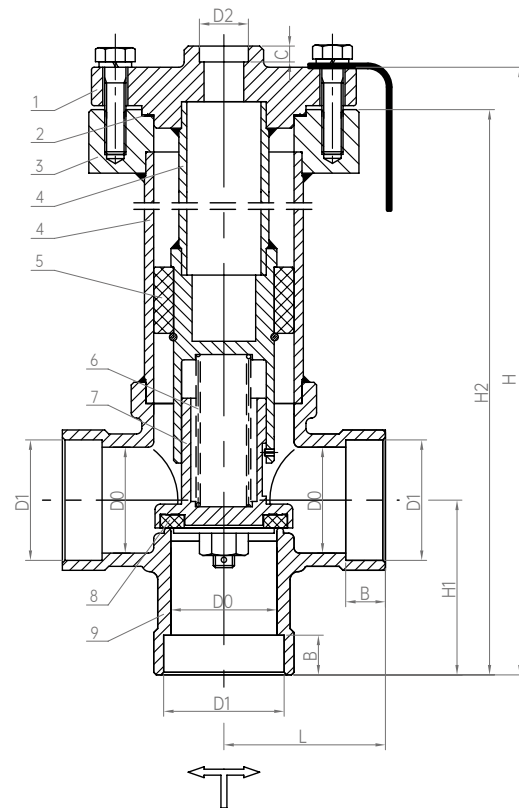
Cryogenic Check Valve Angel Type Vacuum Jacketed

Parameters

PN: 4.0MPa
DN: Ø40
Design Temp.: -196°C ~+80°C
Media: LNG, LO₂, LN₂, LAr, CO₂
Connection : Socket Weld



This kind of product has certified by EAC and TS
Standards: GB/T 24925, TR CU 032/2013



Materials

1 Bonnet	S30408	4 Connecting Pipe	S30408	7 Disc	S30408
2 Washer	RPTFE	5 Pilot Sleeve	PTFE	8 Disc Sealing	PCTFE
3 Flange	S30408	6 Spring	S30210	9 Body	CF8

Model No.	Specifications & Dimensions (mm)									Weight(kg)
	H	H1	H2	L	D0	D1	D2	B	C	
DZH-40JS1	345	66	329	61	Ø40	Ø45.5	Ø18.5	15	6	



Cryogenic Check Valve Angel Type Vacuum Jacketed

Parameters

PN: 4.0MPa

DN: Ø50

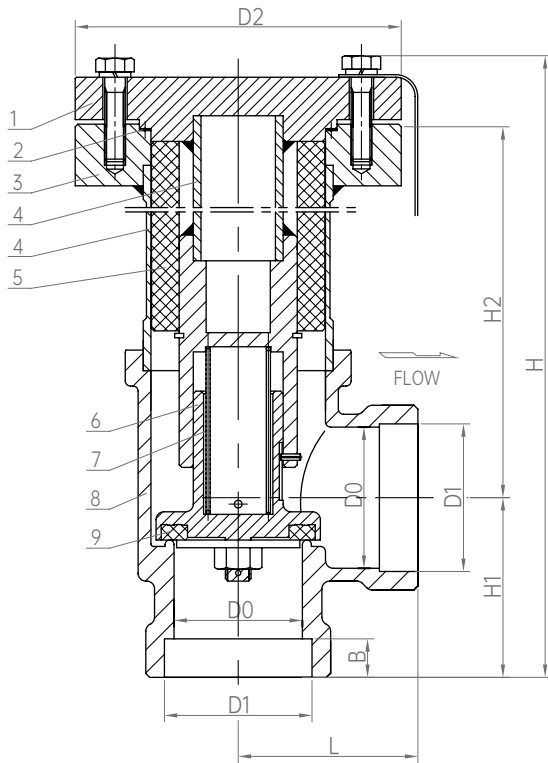
Design Temp.: -196°C ~+80°C

Media: LNG, LO₂, LN₂, LAr, CO₂

Connection : Socket Weld



This kind of product has certified by EAC and TS
Standards: GB/T 24925, TR CU 032/2013



Materials

1 Bonnet	S30408	4 Connecting Pipe	S30408	7 Spring	S30210
2 Washer	RPTFE	5 Pilot Sleeve	PTFE	8 Body	CF8
3 Flange	S30408	6 Disc	S30408	9 Disc Sealing	PCTFE

Model No.	Specifications & Dimensions (mm)								Weight(kg)
	H	H1	H2	L	D0	D1	D2	B	
DZH-50J(001)	319.7	70	275.5	70	Ø50	Ø57.5	Ø126	15	

Emergency Shut-off Valve Vacuum Jacketed

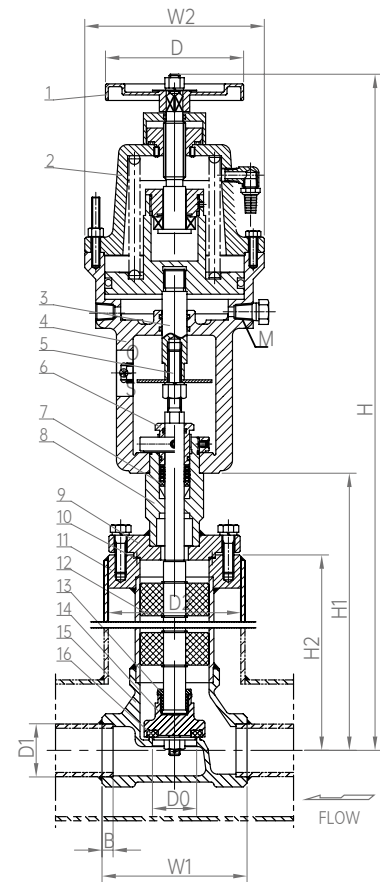
Parameters

PN: 4.0MPa
DN: Ø15~Ø50
Design Temp.: -196°C ~+80°C
Media: LNG, LO₂, LN₂, LAr, CO₂

Connection : Socket Weld



This kind of product has certified by EAC and TS
Standards: GB/T 24918, TR CU 032/2013



Materials

1	Hand Wheel	Y102	7	Washer	PTFE	13	Connecting Nut	S30408
2	Cylinder Cover	ZL104	8	Gland Packings	S30408	14	Disc	S30408
3	Connecting Shaft	S30408	9	Bonnet	S30408	15	Body	S30408
4	Cylinder	ZL104	10	Washer	RPTFE	16	Disc Sealing	PCTFE
5	Stem	S30408	11	Flange	S30408			
6	Gland Nut	S30408	12	Pilot Sleeve	PTFE			

Model No.	Specifications & Dimensions (mm)											Weight(kg)
	H	H1	H2	W	W1	W2	B	M	D0	D1	D2	
DZQ-15C	535	237	181	Ø100	65	Ø130	6	Rc1/4	Ø15	Ø18.5	Ø63	6.7
DZQ-25C	600.5	302.5	240	Ø100	90	Ø130	8	Rc1/4	Ø25	Ø32.5	Ø82	7.3
DZQ-32C	609.5	311.5	250	Ø100	105	Ø130	8	Rc1/4	Ø32	Ø38.5	Ø101	
DZQ-40C	691.5	343.5	286.5	Ø125	120	Ø160	8	Rc1/4	Ø40	Ø45.5	Ø101	
DZQ-50C	697.5	349.5	290	Ø125	140	Ø160	10	Rc1/4	Ø50	Ø57.5	Ø126	



Emergency Shut-off Valve Vacuum Jacketed

Parameters

PN: 1.6MPa

DN: Ø25~Ø50

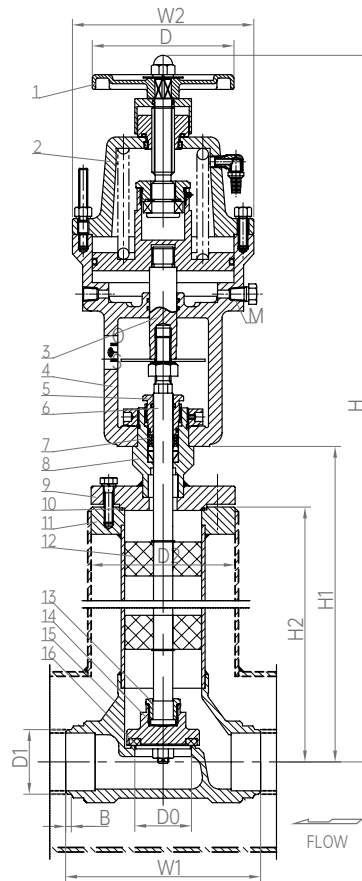
Design Temp.: -196°C ~+80°C

Media: LNG, LO₂, LN₂, LAr, CO₂

Connection : Butt Weld



This kind of product has certified by EAC and TS
Standards: GB/T 24918, TR CU 032/2013



Materials

1	Hand Wheel	Y102	7	Washer	PTFE	13	Connecting Nut	S30408
2	Cylinder Cover	ZL104	8	Gland Packings	S30408	14	Disc	S30408
3	Connecting Shaft	S30408	9	Bonnet	S30408	15	Body	S30408
4	Cylinder	ZL104	10	Washer	RPTFE	16	Disc Sealing	PCTFE
5	Stem	S30408	11	Flange	S30408			
6	Gland Nut	S30408	12	Pilot Sleeve	PTFE			

Model No.	Specifications & Dimensions (mm)											Weight(kg)
	H	H1	H2	W	W1	W2	B	M	D0	D1	D2	
DZQ-25K	600.5	302.5	240	Ø100	90	Ø130	8	Rc1/4	Ø25	Ø32	Ø82	
DZQ-32K	609.5	311.5	250	Ø100	105	Ø130	8	Rc1/4	Ø32	Ø38	Ø101	
DZQ-40K	691.5	343.5	286.5	Ø125	120	Ø160	8	Rc1/4	Ø40	Ø45	Ø101	
DZQ-50K	697.5	349.5	290	Ø125	140	Ø160	10	Rc1/4	Ø50	Ø57	Ø126	

Emergency Shut-off Valve Vacuum Jacketed

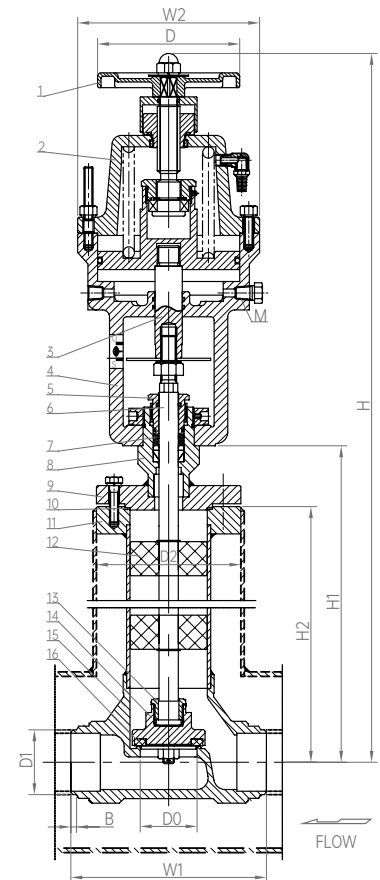
Parameters

PN: 2.5MPa
DN: Ø25~Ø50
Design Temp.: -196°C ~+80°C
Media: LNG, LO₂, LN₂, LAr, CO₂

Connection : Butt Weld



This kind of product has certified by EAC and TS
Standards: GB/T 24918, TR CU 032/2013



Materials

1	Hand Wheel	Y102	7	Washer	PTFE	13	Connecting Nut	S30408
2	Cylinder Cover	ZL104	8	Gland Packings	S30408	14	Disc	S30408
3	Connecting Shaft	S30408	9	Bonnet	S30408	15	Body	S30408
4	Cylinder	ZL104	10	Washer	RPTFE	16	Disc Sealing	PCTFE
5	Stem	S30408	11	Flange	S30408			
6	Gland Nut	S30408	12	Pilot Sleeve	PTFE			

Model No.	Specifications & Dimensions (mm)											Weight(kg)
	H	H1	H2	W	W1	W2	B	M	D0	D1	D2	
DZQ-25K1	600.5	302.5	240	Ø100	90	Ø130	8	Rc1/4	Ø25	Ø32	Ø82	
DZQ-32K1	609.5	311.5	250	Ø100	105	Ø130	8	Rc1/4	Ø32	Ø38	Ø101	
DZQ-40K1	691.5	343.5	286.5	Ø125	120	Ø160	8	Rc1/4	Ø40	Ø45	Ø101	
DZQ-50K1	697.5	349.5	290	Ø125	140	Ø160	10	Rc1/4	Ø50	Ø57	Ø126	



Emergency Shut-off Valve Vacuum Jacketed

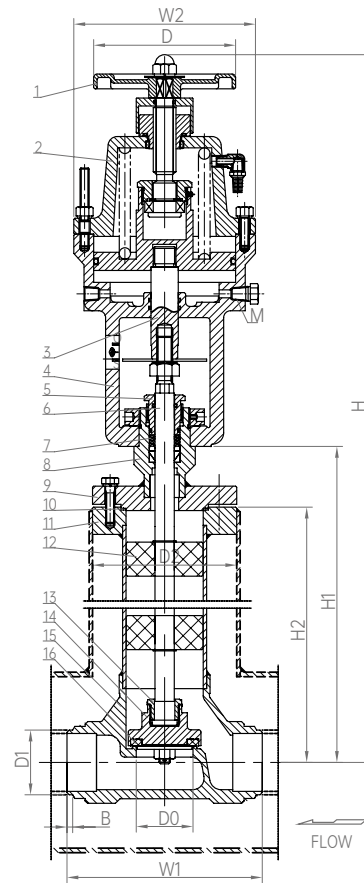
Parameters

PN: 4.0MPa
DN: Ø25~Ø50
Design Temp.: -196°C ~+80°C
Media: LNG, LO₂, LN₂, LAr, CO₂

Connection : Butt Weld



This kind of product has certified by EAC and TS
Standards: GB/T 24918, TR CU 032/2013



Materials

1	Hand Wheel	Y102	7	Washer	PTFE	13	Connecting Nut	S30408
2	Cylinder Cover	ZL104	8	Gland Packings	S30408	14	Disc	S30408
3	Connecting Shaft	S30408	9	Bonnet	S30408	15	Body	S30408
4	Cylinder	ZL104	10	Washer	RPTFE	16	Disc Sealing	PCTFE
5	Stem	S30408	11	Flange	S30408			
6	Gland Nut	S30408	12	Pilot Sleeve	PTFE			

Model No.	Specifications & Dimensions (mm)											Weight(kg)
	H	H1	H2	W	W1	W2	B	M	D0	D1	D2	
DZQ-25K2	600.5	302.5	240	Ø100	90	Ø130	8	Rc1/4	Ø25	Ø32	Ø82	
DZQ-32K2	609.5	311.5	250	Ø100	105	Ø130	8	Rc1/4	Ø32	Ø38	Ø101	
DZQ-40K2	691.5	343.5	286.5	Ø125	120	Ø160	8	Rc1/4	Ø40	Ø45	Ø101	
DZQ-50K2	697.5	349.5	290	Ø125	140	Ø160	10	Rc1/4	Ø50	Ø57	Ø126	

Emergency Shut-off Valve Vacuum Jacketed

Parameters

PN: 1.6MPa

DN: Ø25

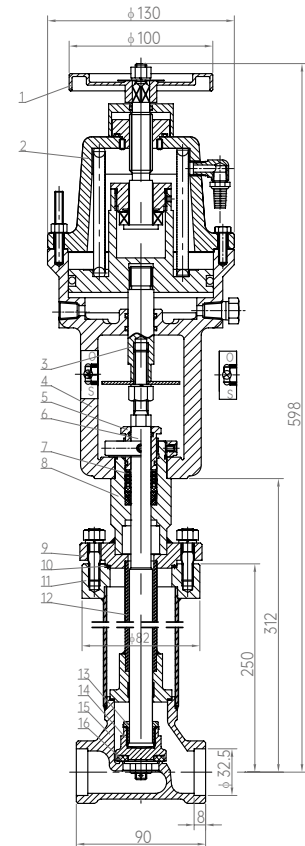
Design Temp.: -196°C ~+80°C

Media: LNG, LO₂, LN₂, LAr, CO₂

Connection : Socket Weld



This kind of product has certified by EAC and TS
Standards: GB/T 24918, TR CU 032/2013



Model No.: DZQ-25S

Materials

1	Hand Wheel	Y102	7	Washer	PTFE	13	Connecting Nut	S30408
2	Cylinder Cover	ZL104	8	Gland Packings	S30408	14	Disc	S30408
3	Connecting Shaft	S30408	9	Bonnet	S30408	15	Body	S30408
4	Cylinder	ZL104	10	Washer	RPTFE	16	Disc Sealing	PCTFE
5	Stem	S30408	11	Flange	S30408			
6	Gland Nut	S30408	12	Pilot Sleeve	PTFE			



Emergency Shut-off Valve Vacuum Jacketed

Parameters

DN: Ø65

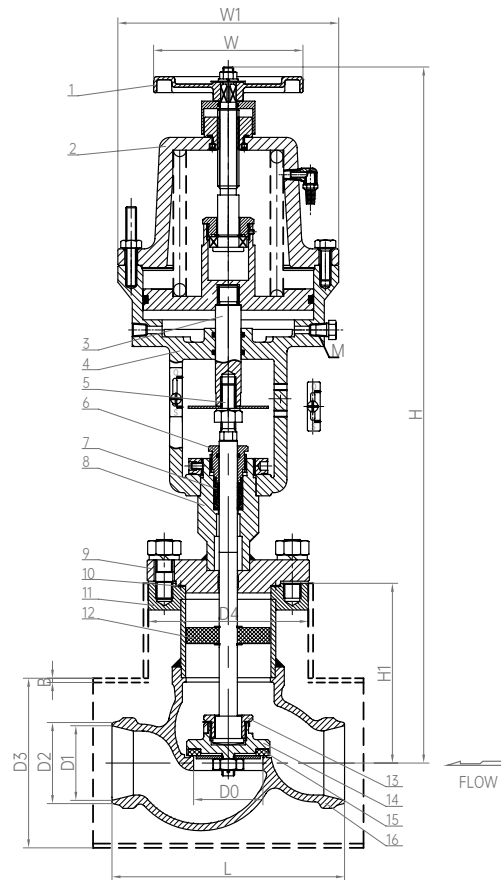
Design Temp.: -196°C ~+80°C

Media: LNG, LO₂, LN₂, LAr, CO₂

Connection : Butt Weld



This kind of product has certified by EAC and TS
Standards: GB/T 24918, TR CU 032/2013



Materials

1	Hand Wheel	Y102	7	Washer	PTFE	13	Connecting Nut	S30408
2	Cylinder Cover	ZL104	8	Gland Packings	S30408	14	Disc	S30408
3	Connecting Shaft	S30408	9	Bonnet	S30408	15	Body	S30408
4	Cylinder	ZL104	10	Washer	RPTFE	16	Disc Sealing	PCTFE
5	Stem	S30408	11	Flange	S30408			
6	Gland Nut	S30408	12	Pilot Sleeve	PTFE			

Model No.	Specifications & Dimensions (mm)												PN (MPa)	Weight(kg)
	H	H1	L	W	W1	B	M	D0	D1	D2	D3	D4		
DZQ-65	654	168.5	218	Ø140	Ø207	4	Rc1/4	Ø65	Ø70	Ø76	Ø159	Ø150	1.6	
DZQ-65B1	654	168.5	218	Ø140	Ø207	4	Rc1/4	Ø65	Ø70	Ø76	Ø159	Ø150	2.5	
DZQ-65B2	654	168.5	218	Ø140	Ø207	4	Rc1/4	Ø65	Ø70	Ø76	Ø159	Ø150	4.0	

Emergency Shut-off Valve Vacuum Jacketed

Parameters

PN: 1.6MPa

DN: Ø65

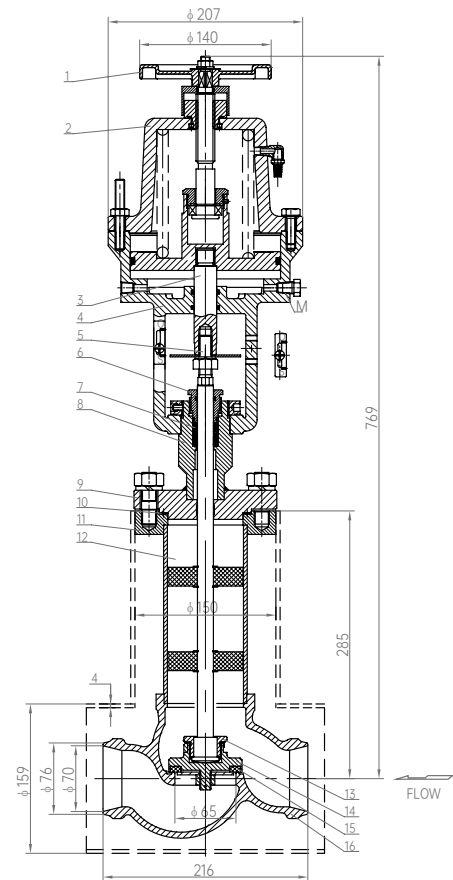
Design Temp.: -196°C ~+80°C

Media: LNG, LO₂, LN₂, LAr, CO₂

Connection : Butt Weld



This kind of product has certified by EAC and TS
Standards: GB/T 24918, TR CU 032/2013



Model No.: DZQ-65C

Materials

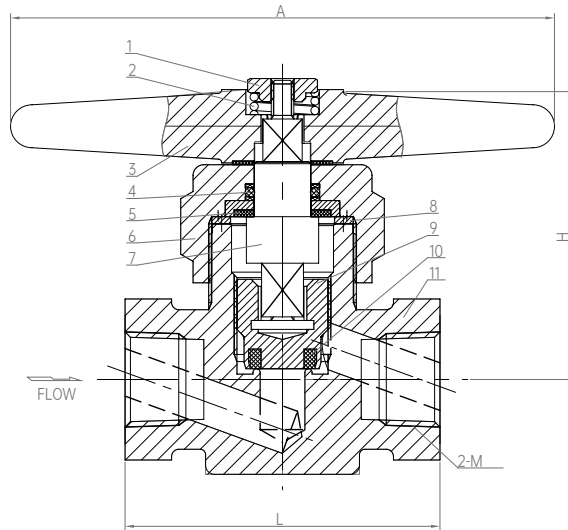
1	Hand Wheel	Y102	7	Washer	PTFE	13	Connecting Nut	S30408
2	Cylinder Cover	ZL104	8	Gland Packings	S30408	14	Disc	S30408
3	Connecting Shaft	S30408	9	Bonnet	S30408	15	Body	S30408
4	Cylinder	ZL104	10	Washer	RPTFE	16	Disc Sealing	PCTFE
5	Stem	S30408	11	Flange	S30408			
6	Gland Nut	S30408	12	Pilot Sleeve	PTFE			



High Pressure Globe Valve

Parameters

PN: 30MPa
DN: Ø15~Ø20
Design Temp.: -40°C ~+80°C
Media: NG, O₂, N₂, Ar, H₂



Materials

1	Stem Nut	HPb59-1	5	Sealing	Nylon1010	9	Gate	HPb59-1
2	Spring	S30210	6	Big Nut	HPb59-1	10	Sealing	Vespel
3	Hand Lever	HPb59-1	7	Stem	HPb59-1	11	Body	HPb59-1
4	O Ring	HNBR	8	Washer	T2			

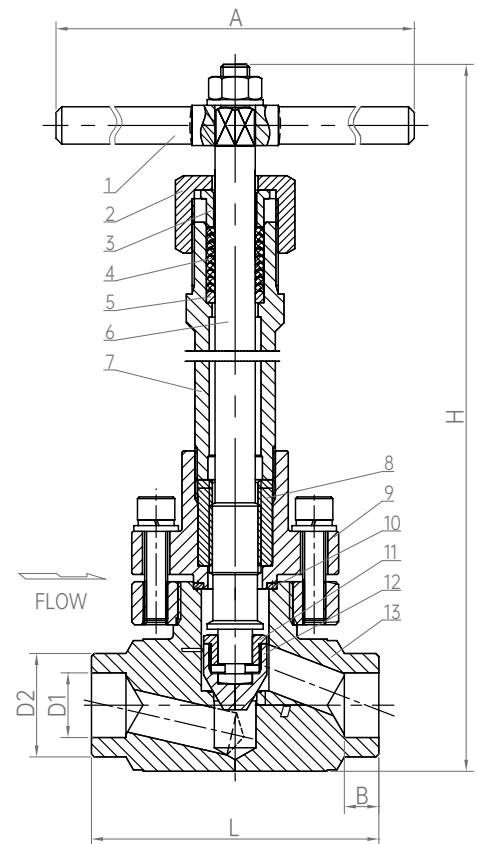
Model No.	Specifications & Dimensions (mm)				Weight(kg)
	H	L	A	M	
GDF-15	84	88	152	NPT 3/4	2.0
GDF-20	84	88	152	NPT 1/2	

High Pressure Cryogenic Globe Valve

Parameters

PN: 32MPa
DN: Ø8~Ø25
Design Temp.: -196°C ~+80°C
Media: LNG, LO₂, LN₂, LAr, CO₂

Connection : Socket Weld



Materials

1	Hand Lever	S30408	6	Stem	S30408	11	Connecting Nut	S30408
2	Gland Nut	S30408	7	Connecting Pipe	S30408	12	Disc	S30408
3	Gland	S30408	8	Bushing	HPb59-1	13	Body	S30408
4	Gasket	PTFE	9	Bonnet	S30408			
5	Washer	HPb59-1	10	Gasket	T2			

Model No.	Specifications & Dimensions (mm)							Weight(kg)
	H	A	L	B	D0	D1	D2	
DGJ-08	277.5	170	100	10	Ø8	Ø14.5	Ø36	
DGJ-10	277.5	170	100	10	Ø10	Ø18.5	Ø36	
DGJ-15	277.5	170	100	12	Ø15	Ø22.5	Ø36	
DGJ-20	345	219	128	12.5	Ø20	Ø27.5	Ø46	
DGJ-25	345	219	128	12.5	Ø25	Ø32.5	Ø46	



High Pressure Cryogenic Globe Valve

Parameters

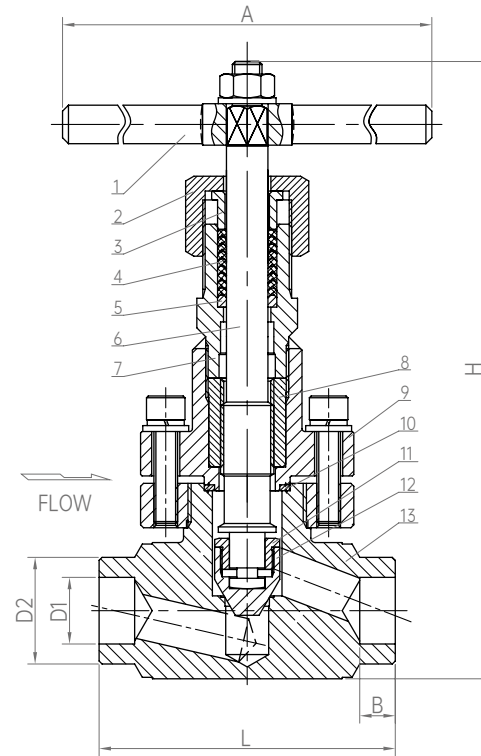
PN: 32MPa

DN: Ø15~Ø20

Design Temp.: -196°C ~+80°C

Media: LNG, LO₂, LN₂, LAr, CO₂

Connection : Socket Weld



Materials

1	Hand Lever	S30408	6	Stem	S30408	11	Connecting Nut	S30408
2	Gland Nut	S30408	7	Connecting Pipe	S30408	12	Disc	S30408
3	Gland	S30408	8	Bushing	HPb59-1	13	Body	S30408
4	Gasket	PTFE	9	Bonnet	S30408			
5	Washer	HPb59-1	10	Gasket	T2			

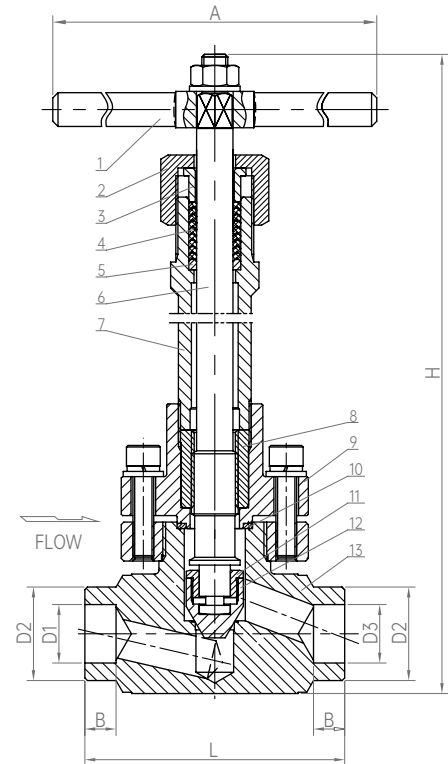
Model No.	Specifications & Dimensions (mm)							Weight(kg)
	H	A	L	B	D0	D1	D2	
DGJ-15G	206.5	170	100	12	Ø15	Ø22.5	Ø36	
DGJ-20G	286	219	128	12.5	Ø20	Ø27.5	Ø46	
DGJ-20BG	206.5	170	100	12	Ø20	Ø26	Ø36	
DGJ-25G	286	219	128	12.5	Ø25	Ø32.5	Ø46	

High Pressure Cryogenic Globe Valve

Parameters

PN: 32MPa
DN: Ø15
Design Temp.: -196°C ~+80°C
Media: LNG, LO₂, LN₂, LAr, CO₂

Connection : Socket Weld



Materials

1	Hand Lever	S30408	6	Stem	S30408	11	Connecting Nut	S30408
2	Gland Nut	S30408	7	Connecting Pipe	S30408	12	Disc	S30408
3	Gland	S30408	8	Bushing	HPb59-1	13	Body	S30408
4	Gasket	PTFE	9	Bonnet	S30408			
5	Washer	HPb59-1	10	Gasket	T2			

Model No.	Specifications & Dimensions (mm)								Weight(kg)
	H	A	L	B	D0	D1	D2	D3	
DGJ-15FB(01)	277.5	170	100	12	Ø15	Ø18.5	Ø36	Ø25.5	



High Pressure Cryogenic Globe Valve

Parameters

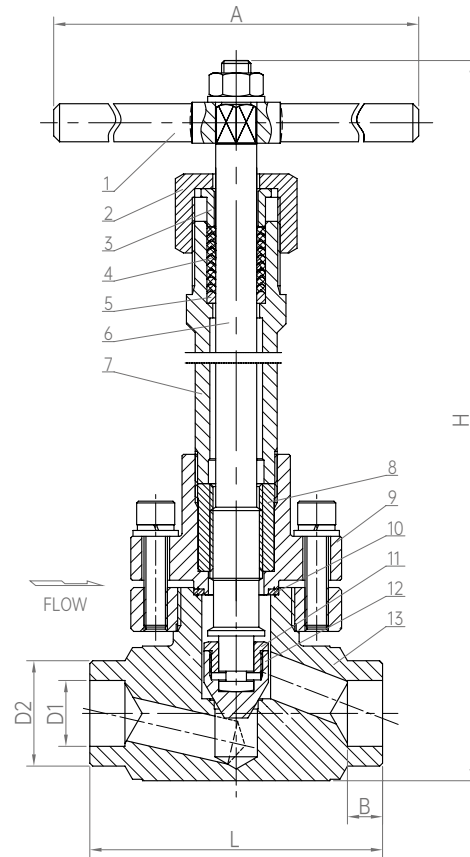
PN: 32MPa

DN: Ø20

Design Temp.: -196°C ~+80°C

Media: LNG, LO₂, LN₂, LAr, CO₂

Connection : Socket Weld



Materials

1	Hand Lever	S30408	6	Stem	S30408	11	Connecting Nut	S30408
2	Gland Nut	S30408	7	Connecting Pipe	S30408	12	Disc	S30408
3	Gland	S30408	8	Bushing	HPb59-1	13	Body	S30408
4	Gasket	PTFE	9	Bonnet	S30408			
5	Washer	HPb59-1	10	Gasket	T2			

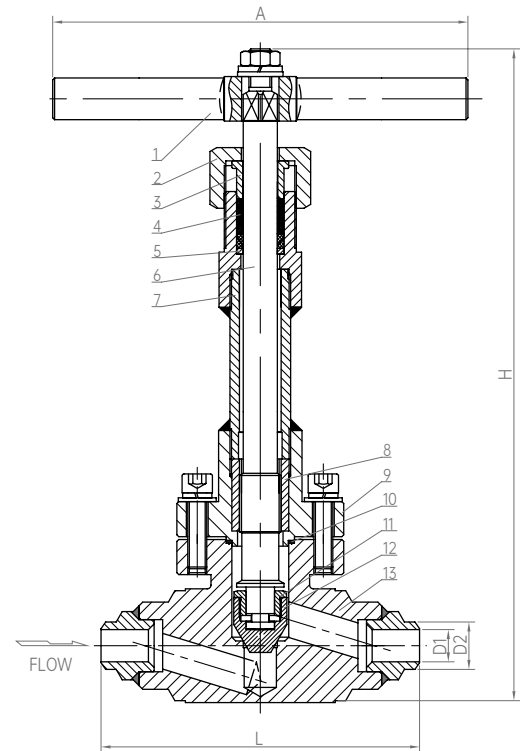
Model No.	Specifications & Dimensions (mm)							Weight(kg)
	H	A	L	B	D0	D1	D2	
DGJ-20B	277.5	170	100	12	Ø20	Ø26	Ø36	
DGJ-20B1	277.5	170	100	12	Ø20	Ø25.5	Ø36	

High Pressure Cryogenic Globe Valve

Parameters

PN: 32MPa
DN: Ø20
Design Temp.: -196°C ~+80°C
Media: LNG, LO₂, LN₂, LAr, CO₂

Connection : Butt Weld



Materials

1	Hand Lever	S30408	6	Stem	S30408	11	Connecting Nut	S30408
2	Gland Nut	S30408	7	Connecting Pipe	S30408	12	Disc	S30408
3	Gland	S30408	8	Bushing	HPb59-1	13	Body	S30408
4	Gasket	PTFE	9	Bonnet	S30408			
5	Washer	HPb59-1	10	Gasket	T2			

Model No.	Specifications & Dimensions (mm)						Weight(kg)
	H	A	L	D0	D1	D2	
DGJ-20C	345	219	168	Ø20	Ø17	Ø25	



High Pressure Cryogenic Globe Valve

Parameters

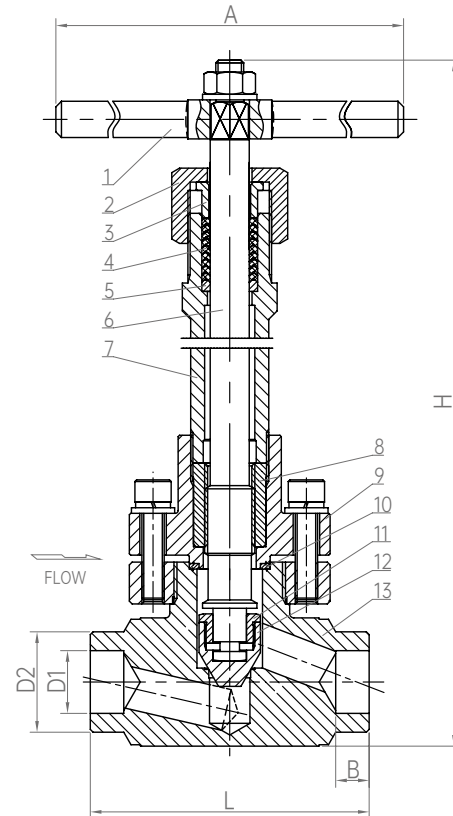
PN: 32MPa

DN: Ø25

Design Temp.: -196°C ~+80°C

Media: LNG, LO₂, LN₂, LAr, CO₂

Connection : Socket Weld



Materials

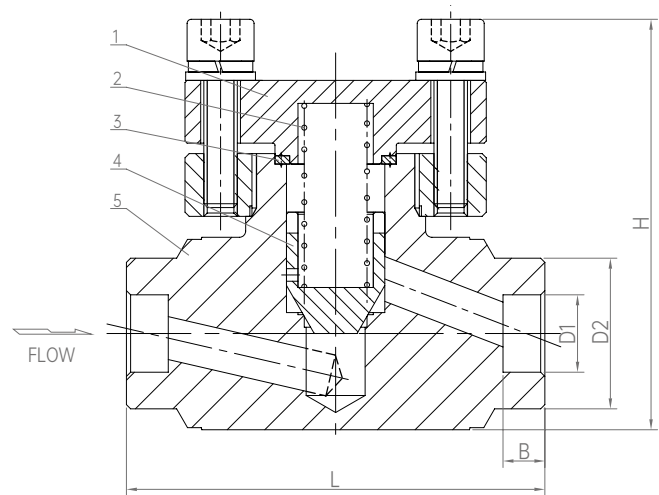
1	Hand Lever	S30408	6	Stem	S30408	11	Connecting Nut	S30408
2	Gland Nut	S30408	7	Connecting Pipe	S30408	12	Disc	S30408
3	Gland	S30408	8	Bushing	HPb59-1	13	Body	S30408
4	Gasket	PTFE	9	Bonnet	S30408			
5	Washer	HPb59-1	10	Gasket	T2			

Model No.	Specifications & Dimensions (mm)							Weight(kg)
	H	A	L	B	D0	D1	D2	
DGJ-25A	345	219	128	12.5	Ø25	Ø34.5	Ø46	

High Pressure Cryogenic Check Valve

Parameters

PN: 32MPa
 DN: Ø10~Ø25
 Design Temp.: -196°C ~+80°C
 Media: LNG, LO₂, LN₂, LAr, CO₂
 Connection : Socket Weld



Materials

1 Bonnet	S30408	3 Gasket	T2	5 Body	S30408
2 Spring	S30210	4 Disc	S30408		

Model No.	Specifications & Dimensions (mm)						Weight(kg)
	H	L	B	D0	D1	D2	
DGH-10	98	100	10	Ø10	Ø18.5	Ø36	
DGH-15	98	100	12	Ø15	Ø22.5	Ø36	
DGH-20	98	100	12.5	Ø20	Ø27.5	Ø36	
DGH-25	120	128	12.5	Ø25	Ø32.5	Ø46	



High Pressure Cryogenic Check Valve

Parameters

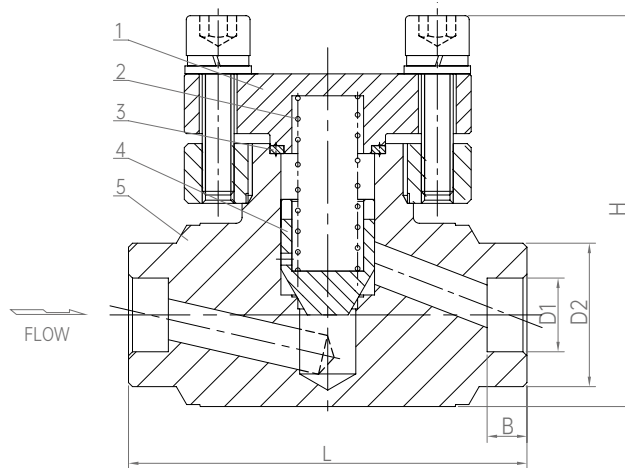
PN: 32MPa

DN: Ø20

Design Temp.: -196°C ~+80°C

Media: LNG, LO₂, LN₂, LAr, CO₂

Connection : Socket Weld



Materials

1 Bonnet	S30408	3 Gasket	T2	5 Body	S30408
2 Spring	S30210	4 Disc	S30408		

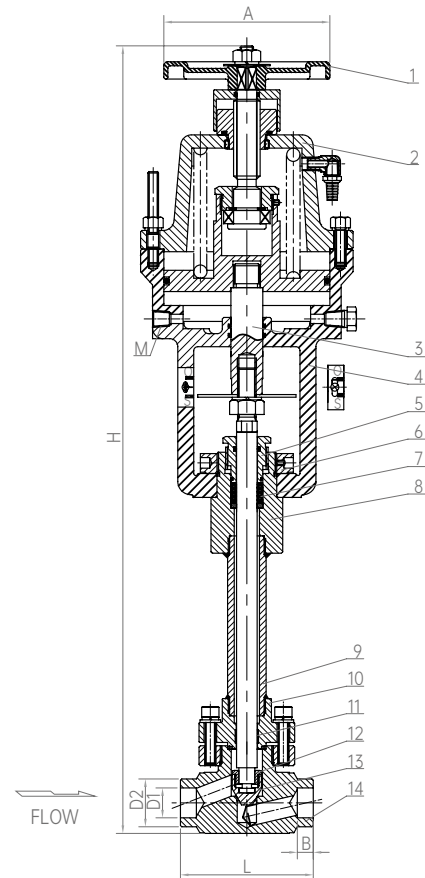
Model No.	Specifications & Dimensions (mm)						Weight(kg)
	H	L	B	D0	D1	D2	
DGH-20B	98	100	12.5	Ø20	Ø26	Ø36	
DGH-20B1	98	100	12.5	Ø20	Ø25.5	Ø36	

High Pressure Emergency Shut-off Valve

Parameters

PN: 32MPa
DN: Ø10~Ø25
Design Temp.: -196°C ~+80°C
Media: LNG, LO₂, LN₂, LAr, CO₂

Connection : Socket Weld



Materials

1 Hand Wheel	Y102	6 Cylinder	S30408	11 Bonnet	PTFE
2 Cylinder	ZL104	7 Gland Nut	PTFE	12 Connecting Nut	S30408
3 Cover	S30408	8 Washer	S30408	13 Disc	S30408
4 Connecting	ZL104	9 Gland Packings	S30408	14 Body	S30408
5 Shaft	S30408	10 Connecting Pipe	S30408		

Model No.	Specifications & Dimensions (mm)								Weight(kg)
	H	A	L	B	M	D0	D1	D2	
DGQ-10	593	Ø140	100	10	Rc1/4	Ø10	Ø18.5	Ø36	
DGQ-15	593	Ø140	100	12	Rc1/4	Ø15	Ø22.5	Ø36	
DGQ-20	593	Ø140	100	12	Rc1/4	Ø20	Ø27.5	Ø36	
DGQ-25	663	Ø140	128	12.5	Rc1/4	Ø25	Ø32.5	Ø46	



High Pressure Emergency Shut-off Valve

Parameters

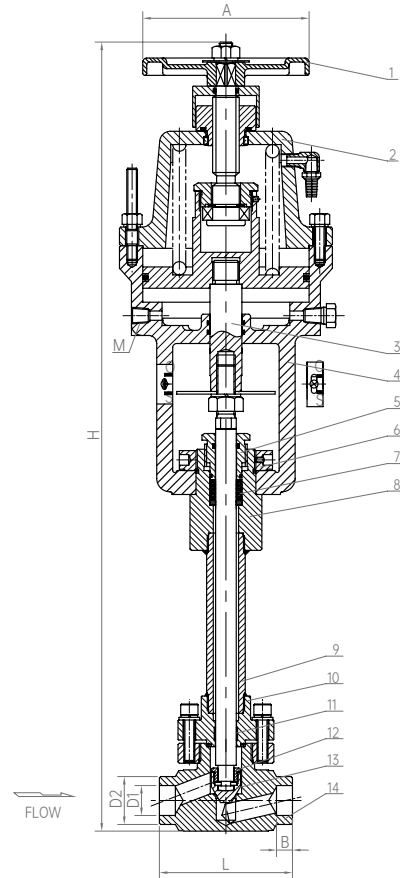
PN: 32MPa

DN: Ø20

Design Temp.: -196°C ~+80°C

Media: LNG, LO₂, LN₂, LAr, CO₂

Connection : Socket Weld



Materials

1 Hand Wheel	Y102	6 Fastening Nut	S30408	11 Lining	PTFE
2 Cylinder Cover	ZL104	7 Washer	PTFE	12 Connecting Nut	S30408
3 Connecting Shaft	S30408	8 Gland Packings	S30408	13 Disc	S30408
4 Cylinder	ZL104	9 Connecting Pipe	S30408	14 Body	S30408
5 Gland Nut	S30408	10 Bonnet	S30408		

Model No.	Specifications & Dimensions (mm)								Weight(kg)
	H	A	L	B	M	D0	D1	D2	
DGQ-20B	593	Ø140	100	12	Rc1/4	Ø20	Ø26	Ø36	

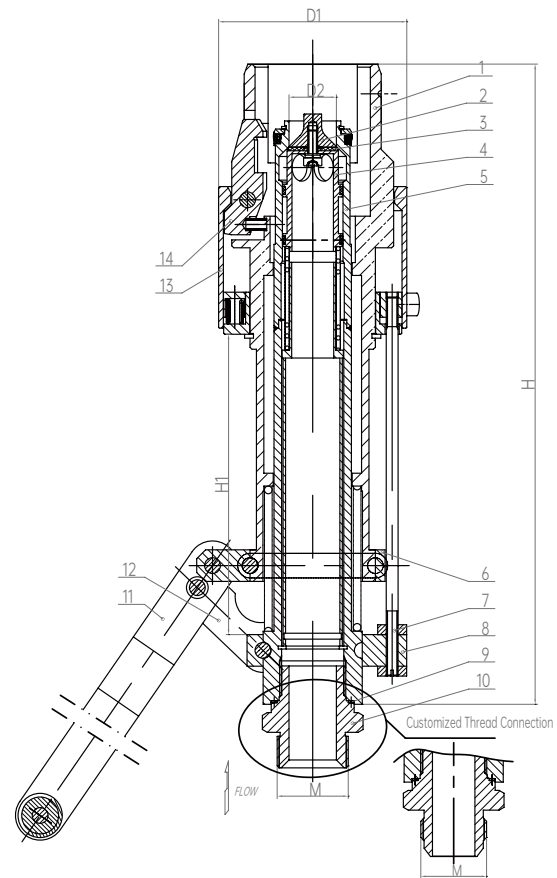
Fueling Nozzle

Parameters

PN: 4.0MPa
DN: Ø25
Design Temp.: -196°C ~+85°C
Media: LNG, LO₂, LN₂, LAr, CO₂



This kind of product has certified by EAC
Standards: TR CU 032/2013



Materials

1	Outer	3A21	6	Fixed Block A	7075 (T6)	11	Handwheel Support	S30408
2	Top Cover	S30408	7	Pull Bar	S30408	12	Connecting Plate	S30408
3	Gasket	PCTFE	8	Fixes Block B	3A21	13	Casing Pipe C	S30408
4	Disc	3A21	9	Gasket	D#9000	14	Claw	S30408
5	Refueling Pipe	S30408	10	Thread Connector	S30408			

Model No.	Specifications & Dimensions (mm)					Weight(kg)
	D1	D2	M	H	H1	
DCJ-25	Ø95	Ø24	M36x2	332	152	7
DCJ-25A	Ø95	Ø24	1-5/16	332	152	7
DCJ-25B	Ø95	Ø24	M30x1.5	332	152	7



Venting Nozzle

Parameters

PN: 4.0MPa

Design Temp.: -196°C ~+80°C

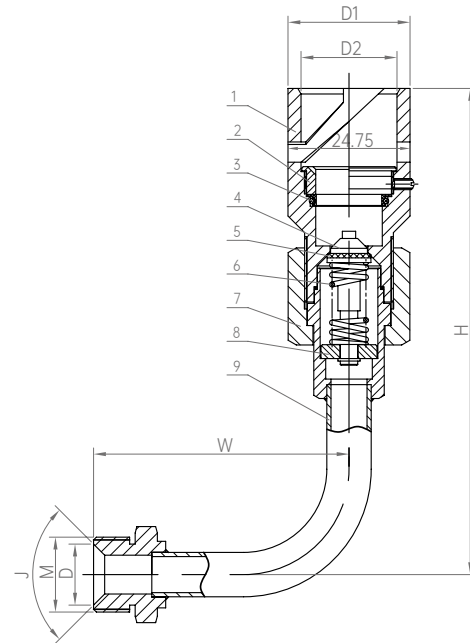
Media: LNG, LO₂, LN₂, LAr, CO₂



Venting nozzle is a charging component mainly used on vehicle mounted cylinder.

This kind of product has certified by EAC

Standards: TR CU 032/2013



Materials

1	Union Connecting Pipe	S30408	4	Disc	S30408	7	Connecting Nut	HPb59-1
2	Gland Nut	S30210	5	Gasket	S30408	8	Spring Seat	S30408
3	O Ring	NBR	6	Spring	S30210	9	Connecting Pipe Assembly	S30408

Model No.	Specifications & Dimensions (mm)							Weight(kg)
	H	A	L	B	M	D0	D1	
DHJ-10	Ø44	Ø34.8	M22×1.5	92	175	Ø18	90°	1.0
DHJ-10B	Ø44	Ø34.8	M27×2	92	175	Ø22	90°	1.0
DHJ-10C	Ø44	Ø34.8	M22×1.5	92	335	Ø18	90°	1.0
DHJ-10D	Ø44	Ø34.8	M27×2	92	335	Ø22	90°	1.0

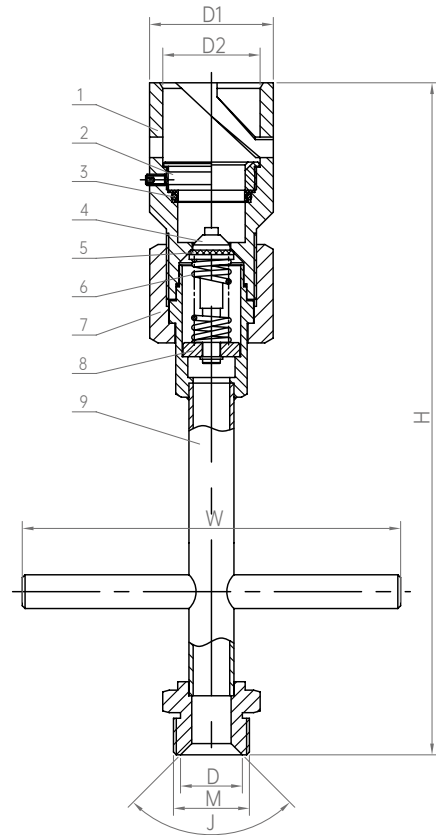
Venting Nozzle

Parameters

PN: 4.0MPa
DN: Ø10
Design Temp.: -196°C ~+80°C
Media: LNG, LO₂, LN₂, LAr, CO₂



This kind of product has certified by EAC
Standards: TR CU 032/2013



Materials

1	Union Connecting Pipe	S30408	4	Disc	S30408	7	Connecting Nut	HPb59-1
2	Gland Nut	S30210	5	Gasket	S30408	8	Spring Seat	S30408
3	O Ring	NBR	6	Spring	S30210	9	Connecting Pipe Assembly	S30408

Model No.	Specifications & Dimensions (mm)							Weight(kg)
	H	A	L	B	M	D0	D1	
DHJ-10A	Ø44	Ø34.8	M27×2	178	298	Ø22	90°	1.0
DHJ-10A1	Ø44	Ø34.8	M22×1.5	178	298	Ø18	90°	1.0
DHJ-10A3	Ø44	Ø34.8	M22×1.5	216	446	Ø18	90°	1.0
DHJ-10A4	Ø44	Ø34.8	M22×1.5	238	293	Ø18	90°	1.0



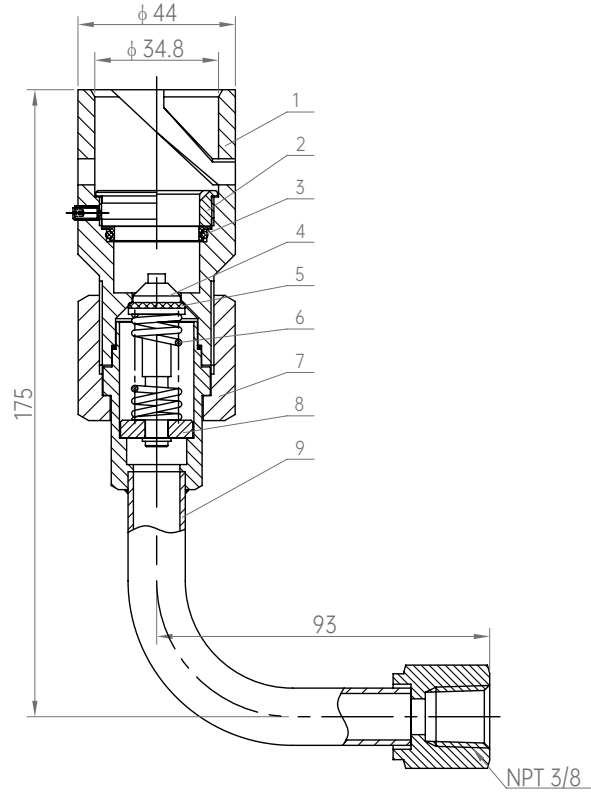
Venting Nozzle

Parameters

PN: 4.0MPa
DN: Ø10
Design Temp.: -196°C ~+80°C
Media: LNG, LO₂, LN₂, LAr, CO₂



This kind of product has certified by EAC
Standards: TR CU 032/2013



Model No.: DHJ-10E

Materials

1	Union Connecting Pipe	S30408	4	Disc	S30408	7	Connecting Nut	HPb59-1
2	Gland Nut	S30210	5	Gasket	S30408	8	Spring Seat	S30408
3	O Ring	NBR	6	Spring	S30210	9	Connecting Pipe Assembly	S30408

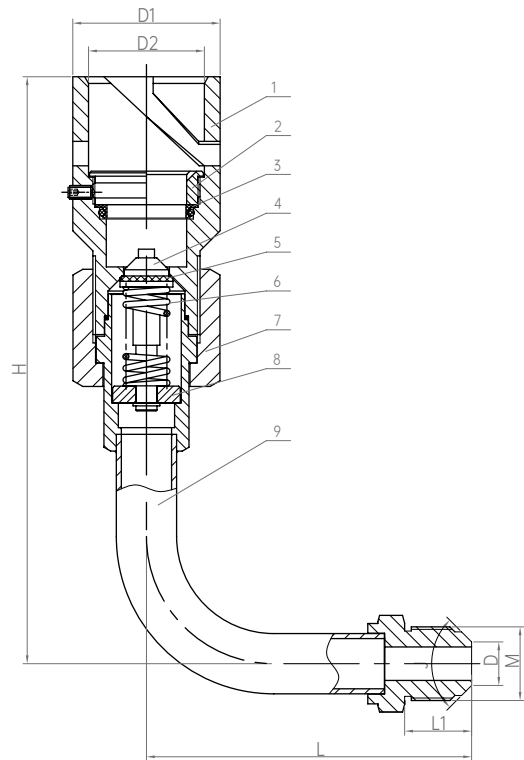
Venting Nozzle

Parameters

PN: 4.0MPa
DN: Ø10
Design Temp.: -196°C ~+80°C
Media: LNG, LO₂, LN₂, LAr, CO₂



This kind of product has certified by EAC
Standards: TR CU 032/2013



Materials

1	Union Connecting Pipe	S30408	4	Disc	S30408	7	Connecting Nut	HPb59-1
2	Gland Nut	S30210	5	Gasket	S30408	8	Spring Seat	S30408
3	O Ring	NBR	6	Spring	S30210	9	Connecting Pipe Assembly	S30408

Model No.	Specifications & Dimensions (mm)								Weight(kg)
	D1	D2	M	L	L1	H	D	J	
DHJ-10F	Ø44	Ø34.8	M22×1.5	97	20	175	Ø13	90°	
DHJ-10G	Ø44	Ø34.8	7/8-14UNF	103	25	175	Ø13	74°	



Venting Nozzle

Parameters

PN: 4.0MPa

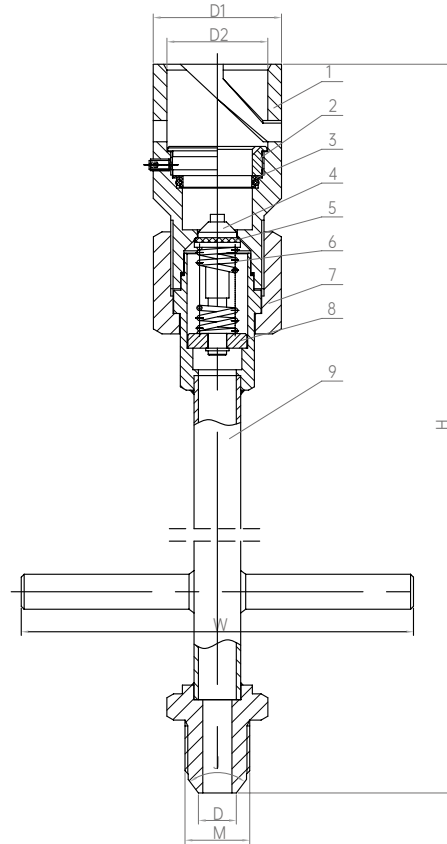
DN: Ø10

Design Temp.: -196°C ~+80°C

Media: LNG, LO₂, LN₂, LAr, CO₂



This kind of product has certified by EAC
Standards: TR CU 032/2013



Materials

1 Union Connecting Pipe	S30408	4 Disc	S30408	7 Connecting Nut	HPb59-1
2 Gland Nut	S30210	5 Gasket	S30408	8 Spring Seat	S30408
3 O Ring	NBR	6 Spring	S30210	9 Connecting Pipe Assembly	S30408

Model No.	Specifications & Dimensions (mm)							Weight(kg)
	D1	D2	M	W	H	D	J	
DHJ-10F1	Ø44	Ø34.8	M22×1.5	178	303	Ø13	90°	
DHJ-10G1	Ø44	Ø34.8	7/8-14UNF	178	303	Ø13	74°	

Fill Assembly

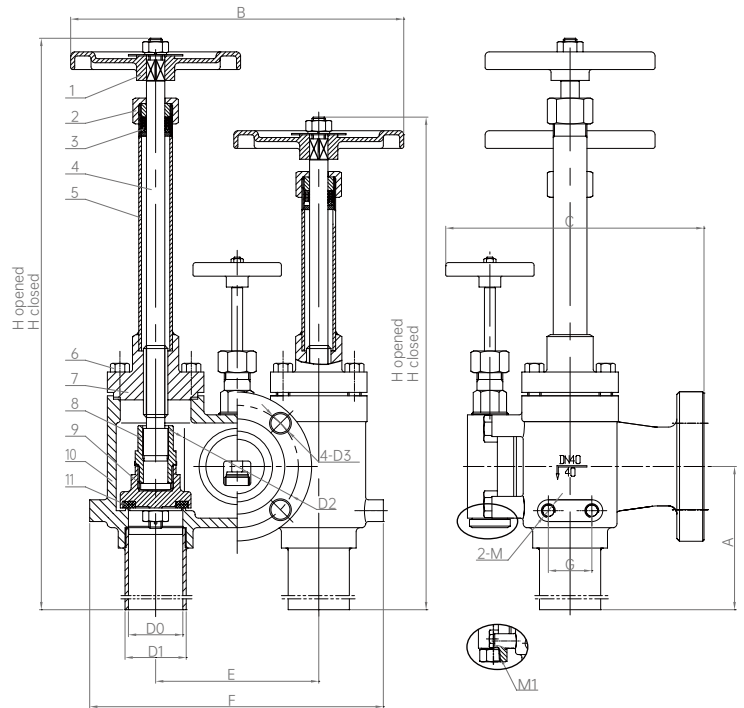
Parameters

PN: 4.0MPa
DN: Ø40
Design Temp.: -196°C ~+80°C
Media: LNG, LO₂, LN₂, LAr, CO₂

Connection : Butt Weld



Standards: EN13648:2008, TR CU 032/2013



Materials

1	Hand Wheel	Y102	5	Connecting Pipe	S30408	9	Disc	S30408
2	Gland Nut	S30408	6	Screw	S30408	10	Body	CF8
3	Washer	PTFE	7	Bonnet	CF8	11	Gasket	PCTFE
4	Stem	30408	8	Connecting Nut	S30408			

Model No.	Specifications & Dimensions (mm)															Weight(kg)	
	H Opening	H Closing	H1 Opening	H1 Closing	A	B	C	D0	D1	D2	D3	M	M1	E	F		G
DJC-40	475	455	416	397	140	245	190	40	45.5	90	14	M10	--	12	216	32	11.0
DJC-40B	475	455	416	397	140	245	190	42.76	48.3	90	14	M10	--	12	216	32	11.0
DJC-40C	475	455	416	397	140	245	190	40	45.5	90	14	M10	NPT1/4	12	216	32	11.0



Charging Joint

Parameters

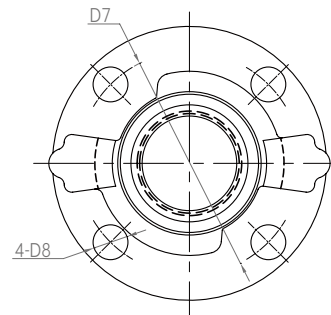
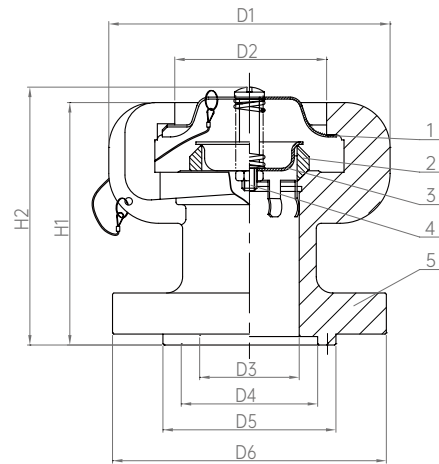
PN: 4.0MPa

DN: Ø40

Design Temp.: -196°C ~+80°C

Media: LNG, LO₂, LN₂, LAr, CO₂

Connection : Flange Connection



Standards: GB/T 24925, TR CU 032/2013

Materials

1	Positioning Plate	S30408
2	Sealing Ring	T3
3	Dust Cover	S30408
4	Screw	30408
5	Body of Charging Joint	CF8

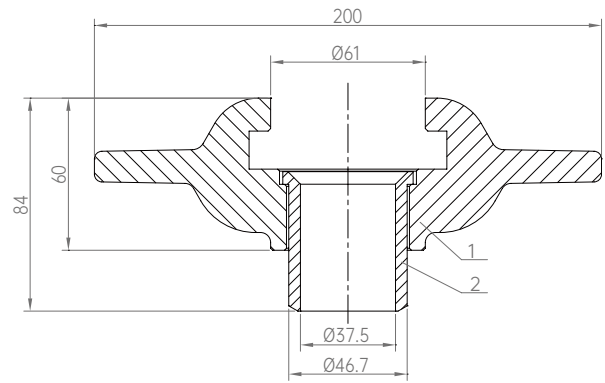
Model No.	Specifications & Dimensions (mm)										Weight(kg)
	D1	D2	D3	D4	D5	D6	D7	D8	H1	H2	
DXK-40	113	62	40	54.8	69.5	110	90	14	97	104	

Quick Joint

Parameters

PN: 4.0MPa
DN: Ø40
Design Temp.: -196°C ~+80°C
Media: LNG, LO₂, LN₂, LAr, CO₂

Connection :
Butt Weld



Model No.: DCK-40



Standards: GB/T 24925, TR CU 032/2013

Materials

1	Pipe of Connector	S30408
2	Receptacle of Connector	CF8



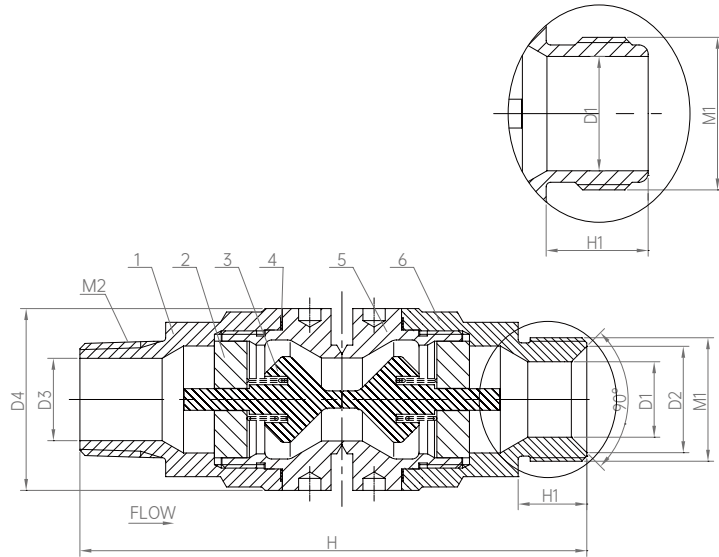
Breakaway Coupling

Parameters

PN: 4.0MPa
DN: Ø15 ~ Ø25
Design Temp.: -196°C ~ +80°C
Media: LNG, LO₂, LN₂, LAr, CO₂

Connection :

Thread Connection



Materials

1	Connector A	S30408	3	Valve Trim	HPb59-1	5	Body	S30408
2	Spring Seat	HPb59-1	4	Washer	Modified PTFE	6	Connector B	S30408

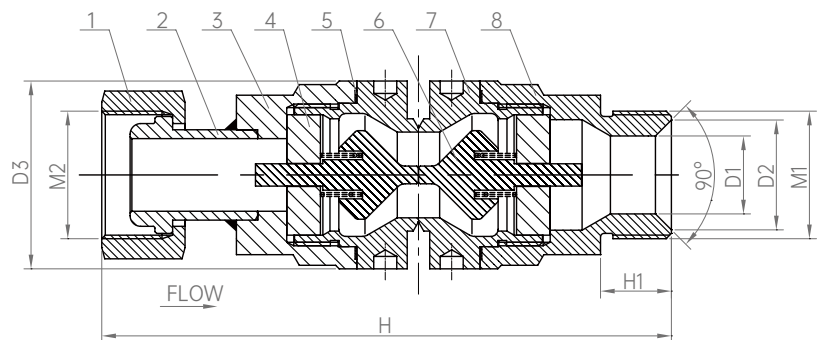
Model No.	Specifications & Dimensions (mm)								Weight(kg)
	L	L1	D1	D2	D3	D4	M1	M2	
LDQ-15	144	20	15	23	16	53	M27x2	NPT 3/4	
LDQ-15A	140	20	15	23	14	53	M27x2	NPT 1/2	
LDQ-25	148	20	22	31	24	53	M36x2	NPT 1	
LDQ-25A3	150	22.5	24	--	24	53	1 5/16-12UN	NPT 1	

Breakaway Coupling

Parameters

PN: 4.0MPa
DN: Ø25
Design Temp.: -196°C ~+80°C
Media: LNG, LO₂, LN₂, LAr, CO₂

Connection :
Thread Connection



Materials

1 Hexagon Nut	HPb59-1	4 Spring Seat	HPb59-1	7 Body	S30408
2 Connecting Pipe	S30408	5 Washer	Modified PTFE	8 Connector B	S30408
3 Connector A	S30408	6 Valve Trim	HPb59-1		

Model No.	Specifications & Dimensions (mm)							Weight(kg)
	L	L1	D1	D2	D3	M1	M2	
LDQ-25A	161	20	22	31	53	M36x2	M36x2	
LDQ-25A2	161	20	22	31	53	M36x1.5	M36x1.5	

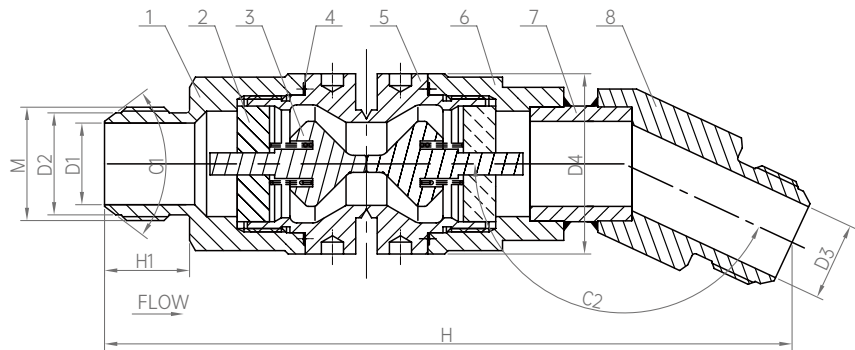


Breakaway Coupling

Parameters

PN: 4.0MPa
DN: Ø25
Design Temp.: -196°C ~+80°C
Media: LNG, LO₂, LN₂, LAr, CO₂

Connection :
Thread Connection



Materials

1	Connector A	S30408	4	Washer	Modified PTFE	7	Connecting Pipe	S30408
2	Spring Seat	HPb59-1	5	Body	S30408	8	Connector C	S30408
3	Valve Trim	HPb59-1	6	Connector B	S30408			

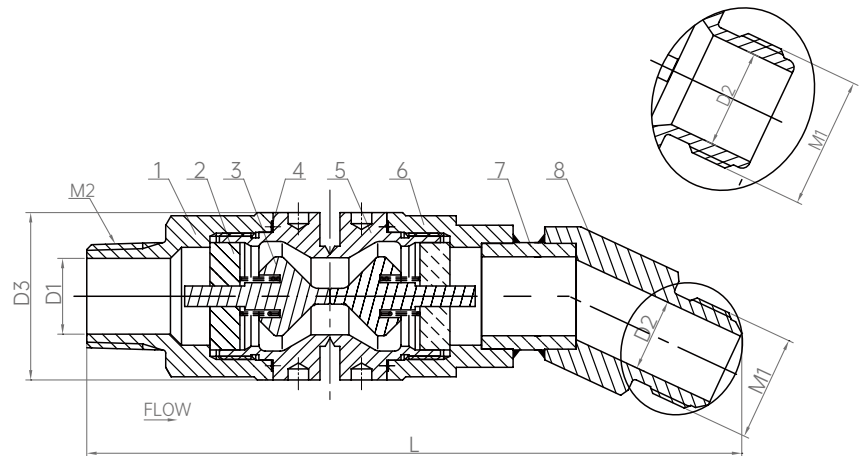
Model No.	Specifications & Dimensions (mm)								Weight(kg)
	H	H1	H2	H3	L1	L2	L3	M	
LDQ-25B1	74°	155°	202	24	30	23	53	1.5/16-12UN	

Breakaway Coupling

Parameters

PN: 4.0MPa
DN: Ø25
Design Temp.: -196°C ~+80°C
Media: LNG, LO₂, LN₂, LAr, CO₂

Connection :
Thread Connection



Materials

1	Connector A	S30408	5	Body	S30408
2	Spring Seat	HPb59-1	6	Connector B	S30408
3	Valve Trim	HPb59-1	7	Connecting Pipe	S30408
4	Washer	Modified PTFE	8	Connector C	S30408

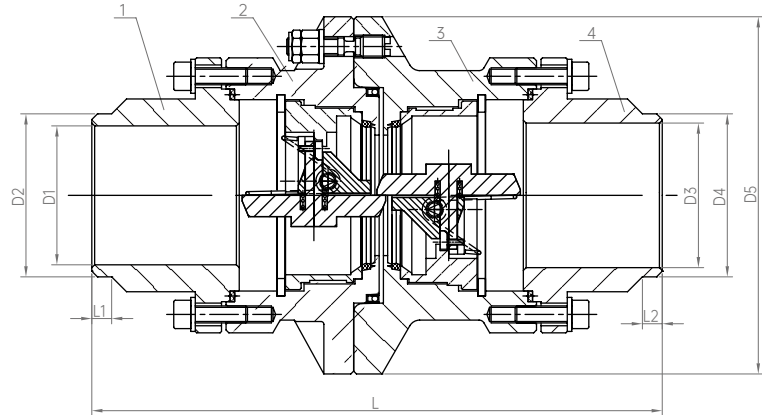
Model No.	Specifications & Dimensions (mm)							Weight(kg)
	C	L	D1	D2	D3	M1	M2	
LDQ-25B	155°	267	24	22	53	M36x2	NPT 1	
LDQ-25B2	155°	208	24	23	53	1 5/16-12UN	NPT 1	



Breakaway Coupling

Parameters

PN: 4.0MPa
 DN: Ø50
 Design Temp.: -196°C ~+80°C
 Media: LNG, LO₂, LN₂, LAr, CO₂
 Connection : Butt Weld



Materials

1	Connector A	S30408
2	Body	S30408
3	Bonnet	S30408
4	Connector B	S30408

Model No.	Specifications & Dimensions (mm)								Weight(kg)
	L	L1	L2	D1	D2	D3	D4	D5	
LDQ-50	203	7	905	50	57.5	50	57.5	126	

Flame Arrester

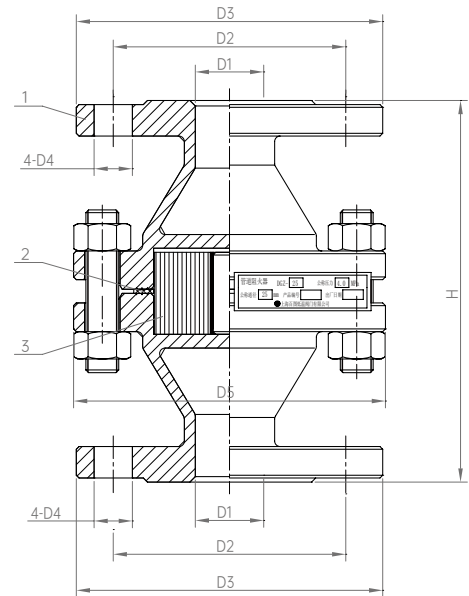
Parameters

Design Pressure: 4.0MPa
Working Pressure: 0.08MPa ~ 0.16MPa
DN: Ø25~Ø50
Design Temp.: -196°C ~+150°C
Media: LNG. CNG

Connection : Flange



Standards: GB/T 13347, TR CU 032/2013



Materials

1	shell	CF8
2	Gasket	PTFE
3	flame proof core	S30408

Model No.	Specifications & Dimensions (mm)						Weight(kg)
	D1	D2	D3	D4	D5	H	
DGZ-25	25	85	112	14	114	139	3.9
DGZ-40	40	110	148	18	142	171	5.2
DGZ-50	50	125	165	18	172	178.5	6.2



Flame Arrester

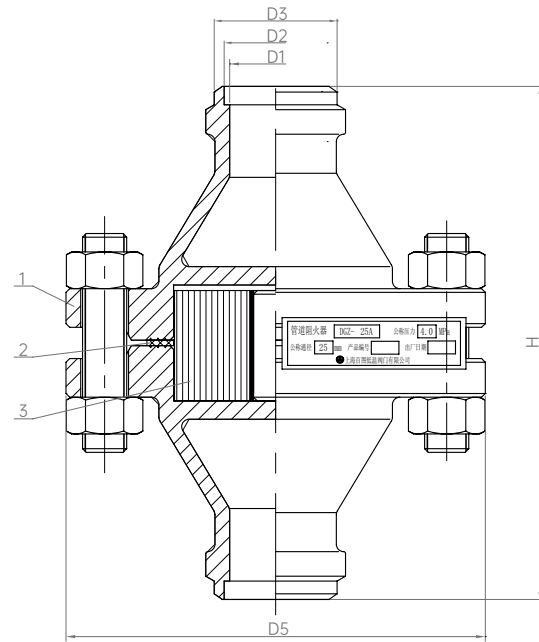
Parameters

Design Pressure: 4.0MPa
Working Pressure: 0.08MPa ~ 0.16MPa
DN: Ø25~Ø50
Design Temp.: -196°C ~+150°C
Media: LNG, CNG

Connection : Butt Weld



Standards: GB/T133a47, TR CU 032/2013



Materials

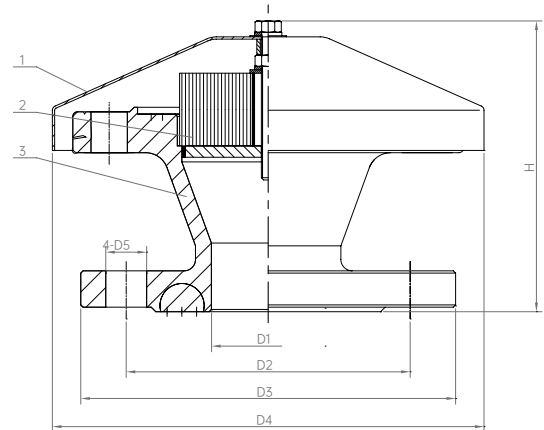
1	shell	CF8
2	Gasket	PTFE
3	flame proof core	S30408

Model No.	Specifications & Dimensions (mm)					Weight(kg)
	D1	D2	D3	D4	H	
DGZ-25A	25	27.9	33.4	Ø114	139	3.6
DGZ-40B	38	43	48.3	Ø142	159	
DGZ-50A	50	54.5	60.3	168	129.5	

Cap of Flame Arrester

Parameters

Design Pressure: 4.0MPa
 Working Pressure: 0.08MPa ~ 0.16MPa
 DN: Ø50
 Design Temp.: -196°C ~ +150°C
 Media: LNG. CNG
 Connection : Flange



Standards: GB/T 1334A7, TR CU 032/2013

Materials

- | | | |
|---|------------------|--------|
| 1 | Dust Cover | S30408 |
| 2 | flame proof core | S30408 |
| 3 | shell | CF8 |

Model No.	Specifications & Dimensions (mm)						Weight(kg)
	D1	D2	D3	D4	D5	H	
DGZ-50B	50	125	165	190	18	128	



Charging Excess Device

Parameters

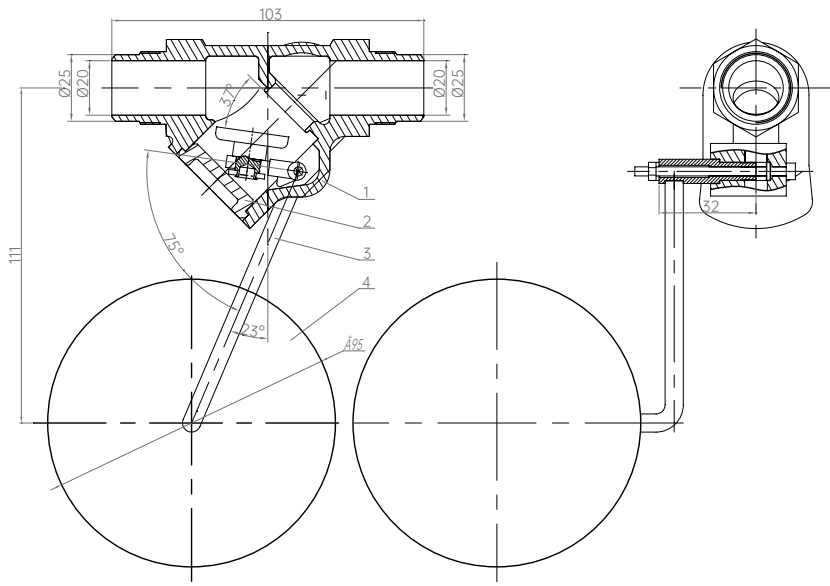
PN: 4.0MPa

DN: Ø20

Design Temp.: -196°C ~+80°C

Media: LO₂, LN₂, LAr

Connection : Butt Weld



Model No.: DXC-20K

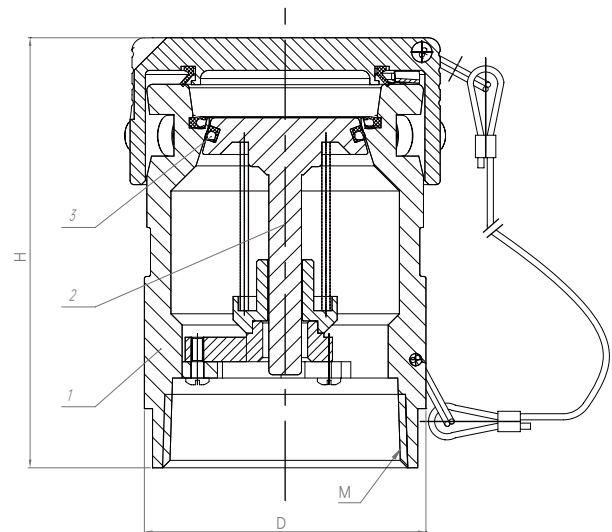
Materials

1	Body	S30408
2	Bonnet	S30408
3	Connecting bar	S30408
4	Floating Ball	S30408

Cryogenic Fueling Receptacle

Parameters

PN: 4.0MPa
DN: Ø50
Design Temp.: -196°C ~+85°C
Media: LNG, LN₂



This fuAeling receptacle is mainly used for ship LNG fueling application.
StandarAds: ISO 12617, TR CU 032/2013

Materials

1	Body	S30408
2	Disc	S30408
3	Ring	PTFE+S30408

Model No.	Specifications & Dimensions (mm)			Weight(kg)
	H	D	M	
DJK-50	105	Ø69	NPT 2	



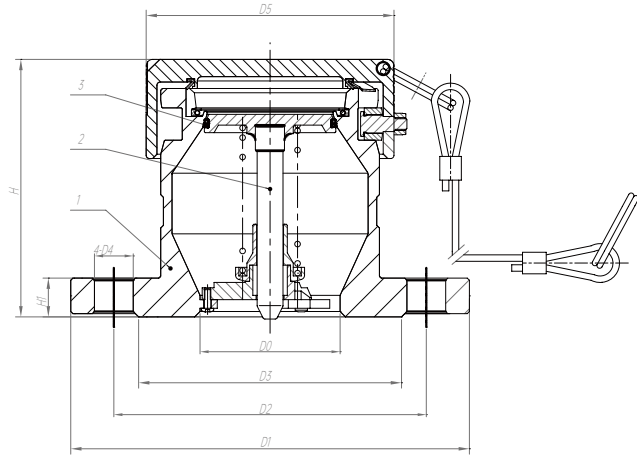
Cryogenic Fueling Receptacle

Parameters

PN: 4.0MPa
DN: Ø65
Design Temp.: -196°C ~+85°C
Media: LNG, LN₂



This fueling receptacle is mainly used for ship LNG fueling application.
Standards: ISO 12617, TR CU 032/2013



Materials

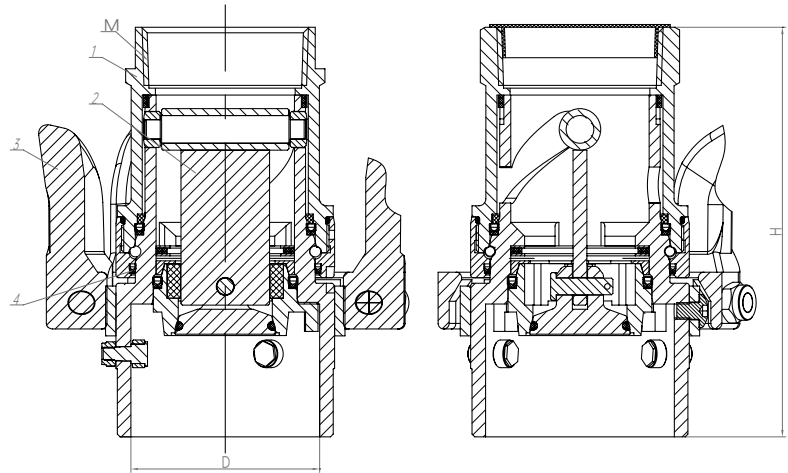
- | | | |
|---|------|-------------|
| 1 | Body | S30408 |
| 2 | Disc | S30408 |
| 3 | Ring | PTFE+S30408 |

Model No.	Specifications & Dimensions (mm)								Weight(kg)
	H	H1	D0	D1	D2	D3	D4	D5	
DJK-65	106	18	Ø65	Ø185	Ø145	Ø121	Ø18	Ø101.6	
DJK-65A	106	22	Ø65	Ø210	Ø170	Ø148	Ø18	Ø101.6	

LNG Fueling Nozzle

Parameters

PN: 4.0MPa
DN: Ø50
Design Temp.: -196°C ~+85°C
Media: LNG, LN₂



This fueling nozzle is suitable for ISO 12617 ship charging application
Standards: TR CU 032/2013

Materials

1	Connector	S30408
2	Connecting Plate	S30408
3	Handweel	S30408
4	Washer	PTFE+S30408

Model No.	Specifications & Dimensions (mm)			Weight(kg)
	H	D	M	
DCJ-50	148	Ø68.2	NPT 2	



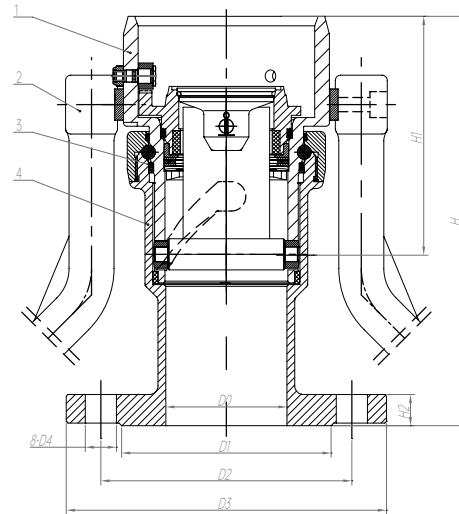
LNG Fueling Nozzle

Parameters

PN: 4.0MPa
DN: Ø65
Design Temp.: -196°C ~+85°C
Media: LNG, LN₂



This fueling nozzle is suitable for ISO 12617 ship charging application
Standards: TR CU 032/2013



Materials

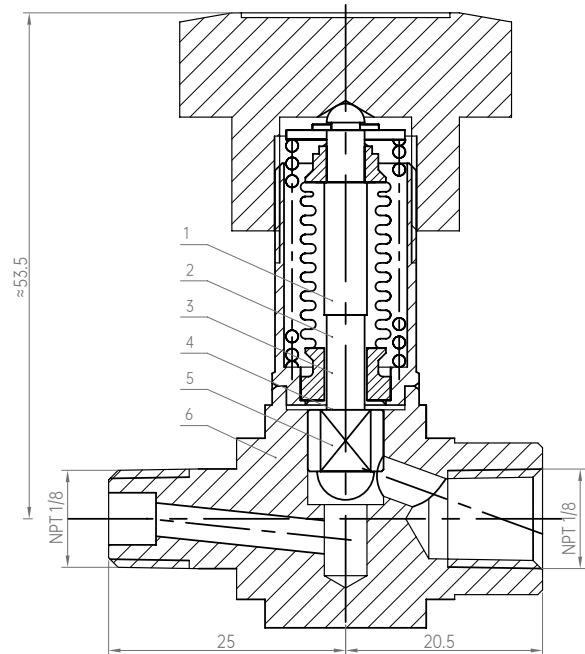
1	Body	S30408
2	Handweel	S30408
3	Washer	PTFE+S30408
4	Coat	S30408

Model No.	Specifications & Dimensions (mm)								Weight(kg)
	H	H1	H2	D0	D1	D2	D3	D4	
DCJ-65	236.5	138	18	Ø70	Ø121	Ø145	Ø185	Ø18	
DCJ-65A	236.5	138	22	Ø70	Ø148	Ø170	Ø210	Ø18	

Vacuum Valve

Parameters

PN: 4.0MPa
 DN: Ø4
 Design Temp.: -40°C ~+200°C
 Media: Air
 Sealing Performance (Helium Test) : $1 \times 10^{-9} / \text{Pa} \cdot \text{m}^3 / \text{S}$



This vacuum valve opens and closes between the vacuum isolation layer and vacuum pipe.
 Upper sealing adopts compact bellows structure with good sealing performance.
 This kind of product has certified by EAC and TS

Model No.: ZGF-04C

Materials

1	Body	S31603	4	Bellows	S31603
2	Stem	S31603	5	Spring	S30210
3	Bonnet	S31603	6	Hand Wheel	7009



Shanghai Baitu
Cryogenic Valve.Co.,Ltd.

Cryogenic Valve Solutions
Worth Your Trust



Add: Building 5, No.428, Changhong Road, Baoshan District, Shanghai, China

E-mail: sales@baituvalves.com

Website: www.baituvalves.com