

BAITU CRYOGENIC VALVE

Cryogenic Transportation &
Storage Equipment/
LNG Filling Station



Cryogenic Valve Solutions
Worth Your Trust



Shanghai Baitu
Cryogenic Valve.Co.,Ltd.

www.baituvalves.com



Emergency Shut-off Valve

www.baituvalves.com

BAITU CRYOGENIC VALVE



Emergency Shut-off Valve

DJQ-15B~DJQ-50B / DJQ-15Y~DJQ-50Y	95
DJQ-15B1~DJQ-50B1 / DJQ-15Y1~DJQ-50Y1	96
DJQ-15B2~DJQ-50B2 / DJQ-15Y2~DJQ-50Y2	97
DJQ-15A~DJQ-50A / DJQ-15K~DJQ-50K	98
DJQ-15A1~DJQ-50A1 / DJQ-15K1~DJQ-50K1	99
DJQ-15A2~DJQ-50A2 / DJQ-15K2~DJQ-50K2	100
DJQ-32D2~DJQ-50DY2	101
DJQ-65~DJQ-100	102
DJQ-65B1~DJQ-100B1	103
DJQ-65B2~DJQ-100B2	104
DJQ-65C~DJQ-100C	105
DJQ-65C1~DJQ-100C1	106
DJQ-65C2~DDJQ-100C2	107
DJQ-65D	108
DJQ-15F~DJQ-50F / DJQ-15FY~DJQ-50FY	109
DJQ-65F1~DJQ-100F1	110
DJQ-65F2~DJQ-100F2	111
DJQ-150	112
DJQ-25E~DJQ-50E	113
DJQC-15~DJQC-25	114
DJQC-15A~DJQC-25A	115



DJ661F-16P

Emergency Shut-off Valve

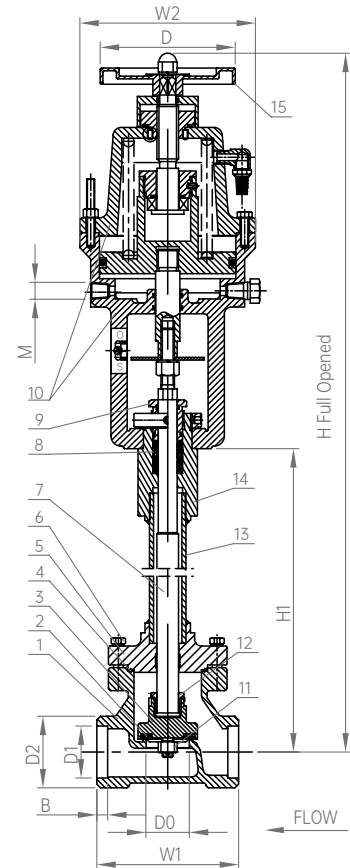
Parameters

PN: 1.6MPa
 DN: Ø10 ~ Ø50
 Design Temp.: -196°C ~ +75°C
 Media: LNG, LO₂, LN₂, LAr, CO₂
 Driving Pressure: 0.4 ~ 0.7MPa

Connection: Socket Weld



This kind of product has certified by CE, EAC, TS and CCS
 Standards: GB/T 24918, EN1626:2008, TR CU 032/2013



Materials

1	Body	CF8	6	Screw	S30408	11	Hexagon Nut	S30408
2	Disc Sealing	PCTFE	7	Stem	S30408	12	Connecting Nut	S30408
3	Disc	S30408	8	V ring	PTFE	13	Connecting Pipe	S30408
4	Gasket	RPTFE	9	Gland Nut	S30408	14	Gland Packings	S30408
5	Bonnet	S30408	10	Cylinder Body & Cover	ZL104	15	Hand Wheel	Y102

Model No.	Specifications & Dimensions (mm)										Maximum Working Pressure (MPa)	Weight(kg)
	H	H1	D	D0	D1	D2	B	W1	W2	M		
DJQ-15B	475	175	Ø100	Ø15	Ø18.5	Ø29.5	6	65	Ø130	Rc1/4	1.6	6.2
DJQ-20	479	179	Ø100	Ø20	Ø25.5	Ø36	8	80	Ø130	Rc1/4	1.6	6.4
DJQ-25	486	186	Ø100	Ø25	Ø32.5	Ø43.5	8	90	Ø130	Rc1/4	1.6	6.7
DJQ-32B	500	200	Ø100	Ø32	Ø38.5	Ø53	8	105	Ø130	Rc1/4	1.6	7.9
DJQ-40B	577	223	Ø125	Ø40	Ø45.5	Ø62	8	120	Ø160	Rc1/4	1.6	12.5
DJQ-50B	587	233	Ø125	Ø50	Ø57.5	Ø72	10	140	Ø160	Rc1/4	1.6	14.1
DJQ-15Y	475	175	Ø100	Ø15	Ø22.2	Ø29.5	6	65	Ø130	Rc1/4	1.6	6.2
DJQ-20Y	479	179	Ø100	Ø20	Ø27.7	Ø36	8	80	Ø130	Rc1/4	1.6	6.4
DJQ-25Y	486	186	Ø100	Ø25	Ø34.5	Ø43.5	8	90	Ø130	Rc1/4	1.6	6.7
DJQ-32Y	500	200	Ø100	Ø32	Ø43.2	Ø53	8	105	Ø130	Rc1/4	1.6	7.9
DJQ-40Y	577	223	Ø125	Ø40	Ø49	Ø62	8	120	Ø160	Rc1/4	1.6	12.5
DJQ-50Y	587	233	Ø125	Ø50	Ø61.1	Ø72	10	140	Ø160	Rc1/4	1.6	14.1



DJ661F-25P

Emergency Shut-off Valve

Parameters

PN: 2.5MPa

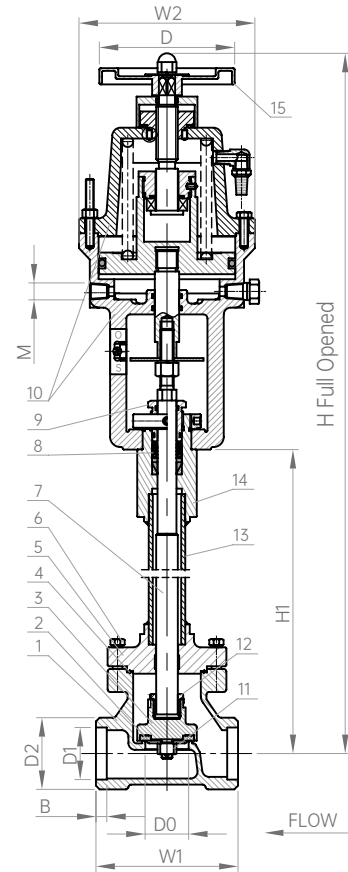
DN: Ø10 ~ Ø50

Design Temp.: -196°C ~ +75°C

Media: LNG, LO₂, LN₂, LAr, CO₂

Driving Pressure: 0.4 ~ 0.7MPa

Connection: Socket Weld



This kind of product has certified by CE, EAC, TS and CCS
Standards: GB/T 24918, EN1626:2008, TR CU 032/2013

Materials

1	Body	CF8	6	Screw	S30408	11	Hexagon Nut	S30408
2	Disc Sealing	PCTFE	7	Stem	S30408	12	Connecting Nut	S30408
3	Disc	S30408	8	V ring	PTFE	13	Connecting Pipe	S30408
4	Gasket	RPTFE	9	Gland Nut	S30408	14	Gland Packings	S30408
5	Bonnet	S30408	10	Cylinder Body & Cover	ZL104	15	Hand Wheel	Y102

Model No.	Specifications & Dimensions (mm)										Maximum Working Pressure (MPa)	Weight(kg)
	H	H1	D	D0	D1	D2	B	W1	W2	M		
DJQ-15B1	475	175	Ø100	Ø15	Ø18.5	Ø29.5	6	65	Ø130	Rc1/4	2.5	6.2
DJQ-20B1	479	179	Ø100	Ø20	Ø25.5	Ø36	8	80	Ø130	Rc1/4	2.5	6.4
DJQ-25B1	486	186	Ø100	Ø25	Ø32.5	Ø43.5	8	90	Ø130	Rc1/4	2.5	6.6
DJQ-32B1	500	200	Ø100	Ø32	Ø38.5	Ø53	8	105	Ø130	Rc1/4	2.5	7.9
DJQ-40B1	577	223	Ø125	Ø40	Ø45.5	Ø62	8	120	Ø160	Rc1/4	2.5	12.5
DJQ-50B1	587	233	Ø125	Ø50	Ø57.5	Ø72	10	140	Ø160	Rc1/4	2.5	14.1
DJQ-15Y1	475	175	Ø100	Ø15	Ø22.2	Ø29.5	6	65	Ø130	Rc1/4	2.5	6.2
DJQ-20Y1	479	179	Ø100	Ø20	Ø27.7	Ø36	8	80	Ø130	Rc1/4	2.5	6.4
DJQ-25Y1	486	186	Ø100	Ø25	Ø34.5	Ø43.5	8	90	Ø130	Rc1/4	2.5	6.6
DJQ-32Y1	500	200	Ø100	Ø32	Ø43.2	Ø53	8	105	Ø130	Rc1/4	2.5	7.9
DJQ-40Y1	577	223	Ø125	Ø40	Ø49	Ø62	8	120	Ø160	Rc1/4	2.5	12.5
DJQ-50Y1	587	233	Ø125	Ø50	Ø61.1	Ø72	10	140	Ø160	Rc1/4	2.5	14.1

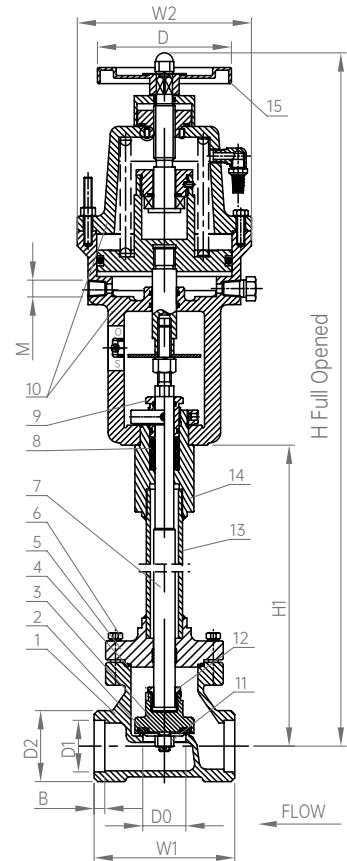
DJ661F-40P

Emergency Shut-off Valve

Parameters

PN: 4.0MPa
 DN: Ø10 ~ Ø50
 Design Temp.: -196°C ~ +75°C
 Media: LNG, LO₂, LN₂, LAr, CO₂
 Driving Pressure: 0.4 ~ 0.7MPa

Connection: Socket Weld



This kind of product has certified by CE, EAC, TS and CCS
 Standards: GB/T 24918, EN1626:2008, TR CU 032/2013

Materials

1	Body	CF8	6	Screw	S30408	11	Hexagon Nut	S30408
2	Disc Sealing	PCTFE	7	Stem	S30408	12	Connecting Nut	S30408
3	Disc	S30408	8	V ring	PTFE	13	Connecting Pipe	S30408
4	Gasket	RPTFE	9	Gland Nut	S30408	14	Gland Packings	S30408
5	Bonnet	S30408	10	Cylinder Body & Cover	ZL104	15	Hand Wheel	Y102

Model No.	Specifications & Dimensions (mm)										Maximum Working Pressure (MPa)	Weight(kg)
	H	H1	D	D0	D1	D2	B	W1	W2	M		
DJQ-15B2	475	175	Ø100	Ø15	Ø18.5	Ø29.5	6	65	Ø130	Rc1/4	2.5	6.2
DJQ-20B2	479	179	Ø100	Ø20	Ø25.5	Ø36	8	80	Ø130	Rc1/4	2.5	6.4
DJQ-25B2	486	186	Ø100	Ø25	Ø32.5	Ø43.5	8	90	Ø130	Rc1/4	2.5	6.6
DJQ-32B2	500	200	Ø100	Ø32	Ø38.5	Ø53	8	105	Ø130	Rc1/4	2.5	7.9
DJQ-40B2	577	223	Ø125	Ø40	Ø45.5	Ø62	8	120	Ø160	Rc1/4	2.5	12.5
DJQ-50B2	587	233	Ø125	Ø50	Ø57.5	Ø72	10	140	Ø160	Rc1/4	2.5	14.1
DJQ-15Y2	475	175	Ø100	Ø15	Ø22.2	Ø29.5	6	65	Ø130	Rc1/4	2.5	6.2
DJQ-20Y2	479	179	Ø100	Ø20	Ø27.7	Ø36	8	80	Ø130	Rc1/4	2.5	6.4
DJQ-25Y2	486	186	Ø100	Ø25	Ø34.5	Ø43.5	8	90	Ø130	Rc1/4	2.5	6.6
DJQ-32Y2	500	200	Ø100	Ø32	Ø43.2	Ø53	8	105	Ø130	Rc1/4	2.5	7.9
DJQ-40Y2	577	223	Ø125	Ø40	Ø49	Ø62	8	120	Ø160	Rc1/4	2.5	12.5
DJQ-50Y2	587	233	Ø125	Ø50	Ø61.1	Ø72	10	140	Ø160	Rc1/4	2.5	14.1



DJ661F-16P

Emergency Shut-off Valve

Parameters

PN: 1.6MPa

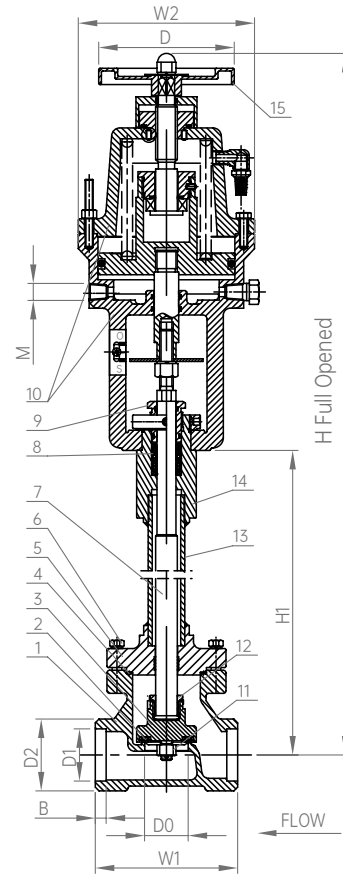
DN: Ø10 ~ Ø50

Design Temp.: -196°C ~ +75°C

Media: LNG, LO₂, LN₂, LAr, CO₂

Driving Pressure: 0.4 ~ 0.7MPa

Connection: Butt Weld



This kind of product has certified by CE, EAC, TS and CCS
Standards: GB/T 24918, EN1626:2008, TR CU 032/2013

Materials

1	Body	CF8	6	Screw	S30408	11	Hexagon Nut	S30408
2	Disc Sealing	PCTFE	7	Stem	S30408	12	Connecting Nut	S30408
3	Disc	S30408	8	V ring	PTFE	13	Connecting Pipe	S30408
4	Gasket	RPTFE	9	Gland Nut	S30408	14	Gland Packings	S30408
5	Bonnet	S30408	10	Cylinder Body & Cover	ZL104	15	Hand Wheel	Y102

Model No.	Specifications & Dimensions (mm)										Maximum Working Pressure (MPa)	Weight(kg)
	H	H1	D	D0	D1	D2	B	W1	W2	M		
DJQ-15A	475	175	Ø100	Ø15	Ø17.08	Ø21.3	5	65	Ø130	Rc1/4	1.6	
DJQ-20A	479	179	Ø100	Ø20	Ø22.48	Ø26.7	5	80	Ø130	Rc1/4	1.6	
DJQ-25A	486	186	Ø100	Ø25	Ø27.9	Ø33.4	5	90	Ø130	Rc1/4	1.6	
DJQ-32A	500	200	Ø100	Ø32	Ø36	Ø42.2	5	105	Ø130	Rc1/4	1.6	
DJQ-40A	577	223	Ø125	Ø40	Ø43	Ø48.3	5	120	Ø160	Rc1/4	1.6	
DJQ-50A	587	233	Ø125	Ø50	Ø55	Ø60.3	5	140	Ø160	Rc1/4	1.6	
DJQ-15K	475	175	Ø100	Ø15	Ø14	Ø18	5	65	Ø130	Rc1/4	1.6	
DJQ-20K	479	179	Ø100	Ø20	Ø20	Ø25	5	80	Ø130	Rc1/4	1.6	
DJQ-25K	486	186	Ø100	Ø25	Ø27	Ø32	5	90	Ø130	Rc1/4	1.6	
DJQ-32K	500	200	Ø100	Ø32	Ø32	Ø38	5	105	Ø130	Rc1/4	1.6	
DJQ-40K	577	223	Ø125	Ø40	Ø39	Ø45	5	120	Ø160	Rc1/4	1.6	
DJQ-50K	587	233	Ø125	Ø50	Ø51	Ø57	5	140	Ø160	Rc1/4	1.6	

DJ661F-25P

Emergency Shut-off Valve

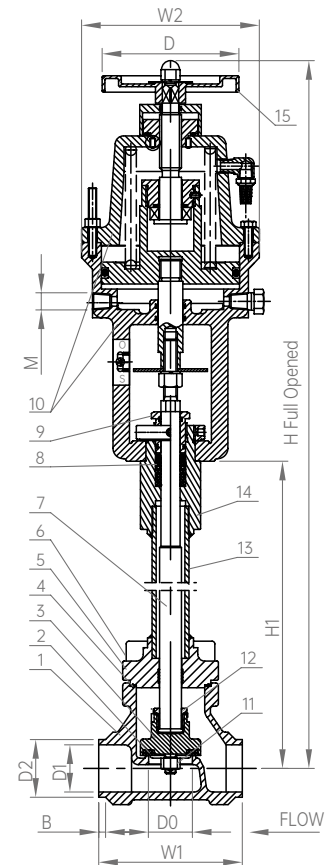
Parameters

PN: 2.5MPa
 DN: Ø10 ~ Ø50
 Design Temp.: -196°C ~ +75°C
 Media: LNG, LO₂, LN₂, LAr, CO₂
 Driving Pressure: 0.4 ~ 0.7MPa

Connection: Butt Weld



This kind of product has certified by CE, EAC, TS and CCS
 Standards: GB/T 24918, EN1626:2008, TR CU 032/2013



Materials

1	Body	CF8	6	Screw	S30408	11	Hexagon Nut	S30408
2	Disc Sealing	PCTFE	7	Stem	S30408	12	Connecting Nut	S30408
3	Disc	S30408	8	V ring	PTFE	13	Connecting Pipe	S30408
4	Gasket	RPTFE	9	Gland Nut	S30408	14	Gland Packings	S30408
5	Bonnet	S30408	10	Cylinder Body & Cover	ZL104	15	Hand Wheel	Y102

Model No.	Specifications & Dimensions (mm)										Maximum Working Pressure (MPa)	Weight(kg)
	H	H1	D	D0	D1	D2	B	W1	W2	M		
DJQ-15A1	475	175	Ø100	Ø15	Ø17.08	Ø21.3	5	65	Ø130	Rc1/4	2.5	
DJQ-20A1	479	179	Ø100	Ø20	Ø22.48	Ø26.7	5	80	Ø130	Rc1/4	2.5	
DJQ-25A1	486	186	Ø100	Ø25	Ø27.9	Ø33.4	5	90	Ø130	Rc1/4	2.5	
DJQ-32A1	500	200	Ø100	Ø32	Ø36	Ø42.2	5	105	Ø130	Rc1/4	2.5	
DJQ-40A1	577	223	Ø125	Ø40	Ø43	Ø48.3	5	120	Ø160	Rc1/4	2.5	
DJQ-50A1	587	233	Ø125	Ø50	Ø55	Ø60.3	5	140	Ø160	Rc1/4	2.5	
DJQ-15K1	475	175	Ø100	Ø15	Ø14	Ø18	5	65	Ø130	Rc1/4	2.5	
DJQ-20K1	479	179	Ø100	Ø20	Ø20	Ø25	5	80	Ø130	Rc1/4	2.5	
DJQ-25K1	486	186	Ø100	Ø25	Ø27	Ø32	5	90	Ø130	Rc1/4	2.5	
DJQ-32K1	500	200	Ø100	Ø32	Ø32	Ø38	5	105	Ø130	Rc1/4	2.5	
DJQ-40K1	577	223	Ø125	Ø40	Ø39	Ø45	5	120	Ø160	Rc1/4	2.5	
DJQ-50K1	587	233	Ø125	Ø50	Ø51	Ø57	5	140	Ø160	Rc1/4	2.5	



DJ661F-40P

Emergency Shut-off Valve

Parameters

PN: 4.0MPa

DN: Ø10 ~ Ø50

Design Temp.: -196°C ~ +75°C

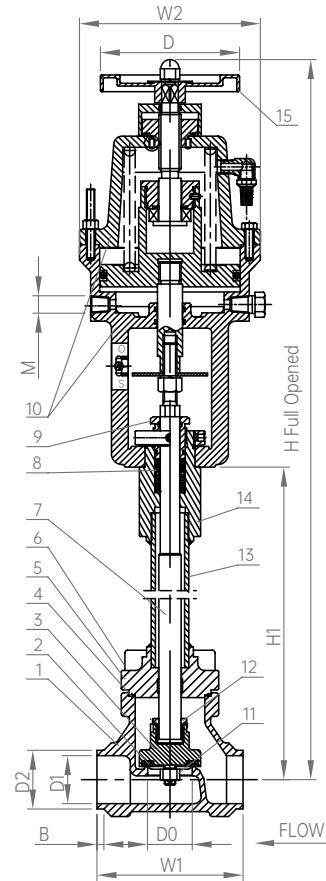
Media: LNG, LO₂, LN₂, LAr, CO₂

Driving Pressure: 0.4 ~ 0.7MPa

Connection: Butt Weld



This kind of product has certified by CE, EAC, TS and CCS
Standards: GB/T 24918, EN1626:2008, TR CU 032/2013



Materials

1	Body	CF8	6	Screw	S30408	11	Hexagon Nut	S30408
2	Disc Sealing	PCTFE	7	Stem	S30408	12	Connecting Nut	S30408
3	Disc	S30408	8	V ring	PTFE	13	Connecting Pipe	S30408
4	Gasket	RPTFE	9	Gland Nut	S30408	14	Gland Packings	S30408
5	Bonnet	S30408	10	Cylinder Body & Cover	ZL104	15	Hand Wheel	Y102

Model No.	Specifications & Dimensions (mm)										Maximum Working Pressure (MPa)	Weight(kg)
	H	H1	D	D0	D1	D2	B	W1	W2	M		
DJQ-15A2	475	175	Ø100	Ø15	Ø17.08	Ø21.3	5	65	Ø130	Rc1/4	2.5	
DJQ-20A2	479	179	Ø100	Ø20	Ø22.48	Ø26.7	5	80	Ø130	Rc1/4	2.5	
DJQ-25A2	486	186	Ø100	Ø25	Ø27.9	Ø33.4	5	90	Ø130	Rc1/4	2.5	
DJQ-32A2	500	200	Ø100	Ø32	Ø36	Ø42.2	5	105	Ø130	Rc1/4	2.5	
DJQ-40A2	577	223	Ø125	Ø40	Ø43	Ø48.3	5	120	Ø160	Rc1/4	2.5	
DJQ-50A2	587	233	Ø125	Ø50	Ø55	Ø60.3	5	140	Ø160	Rc1/4	2.5	
DJQ-15K2	475	175	Ø100	Ø15	Ø14	Ø18	5	65	Ø130	Rc1/4	2.5	
DJQ-20K2	479	179	Ø100	Ø20	Ø20	Ø25	5	80	Ø130	Rc1/4	2.5	
DJQ-25K2	486	186	Ø100	Ø25	Ø27	Ø32	5	90	Ø130	Rc1/4	2.5	
DJQ-32K2	500	200	Ø100	Ø32	Ø32	Ø38	5	105	Ø130	Rc1/4	2.5	
DJQ-40K2	577	223	Ø125	Ø40	Ø39	Ø45	5	120	Ø160	Rc1/4	2.5	
DJQ-50K2	587	233	Ø125	Ø50	Ø51	Ø57	5	140	Ø160	Rc1/4	2.5	

DJ661F-40P

Emergency Shut-off Valve

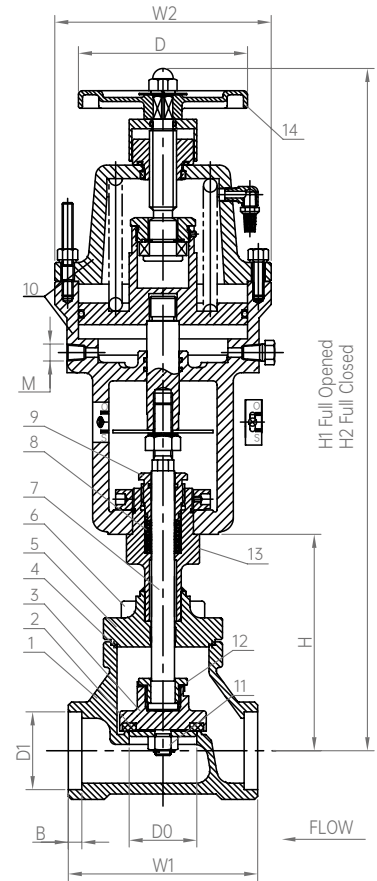
Parameters

PN: 4.0MPa
 DN: Ø10 ~ Ø50
 Design Temp.: -196°C ~ +75°C
 Media: LNG, LO₂, LN₂, LAr, CO₂
 Driving Pressure: 0.4 ~ 0.7MPa

Connection: Socket Weld



This kind of product has certified by CE, EAC, TS and CCS
 Standards: GB/T 24918, EN1626:2008, TR CU 032/2013



Materials

1	Body	CF8	6	Screw	S30408	11	Hexagon Nut	S30408
2	Disc Sealing	PCTFE	7	Stem	S30408	12	Connecting Nut	S30408
3	Disc	S30408	8	V ring	PTFE	13	Gland Packings	S30408
4	Gasket	RPTFE	9	Gland Nut	S30408	14	Hand Wheel	Y102
5	Bonnet	S30408	10	Cylinder Body & Cover	ZL104			

Model No.	Specifications & Dimensions (mm)										Maximum Working Pressure (MPa)	Weight(kg)
	H	H1	D	D0	D1	D2	B	W1	W2	M		
DJQ-32D2	170	470	460	Ø32	Ø38.5	Ø100	8	105	Ø130	Rc1/4	2.5	
DJQ-40D2	150	504	490	Ø40	Ø45.5	Ø120	8	120	Ø160	Rc1/4	2.5	
DJQ-50D2	160	514	500	Ø50	Ø57.5	Ø125	10	140	Ø160	Rc1/4	2.5	
DJQ-32DY2	170	470	460	Ø32	Ø43.2	Ø100	8	105	Ø130	Rc1/4	2.5	
DJQ-40DY2	150	504	490	Ø40	Ø49	Ø120	8	120	Ø160	Rc1/4	2.5	
DJQ-50DY2	160	514	500	Ø50	Ø61.1	Ø125	10	140	Ø160	Rc1/4	2.5	



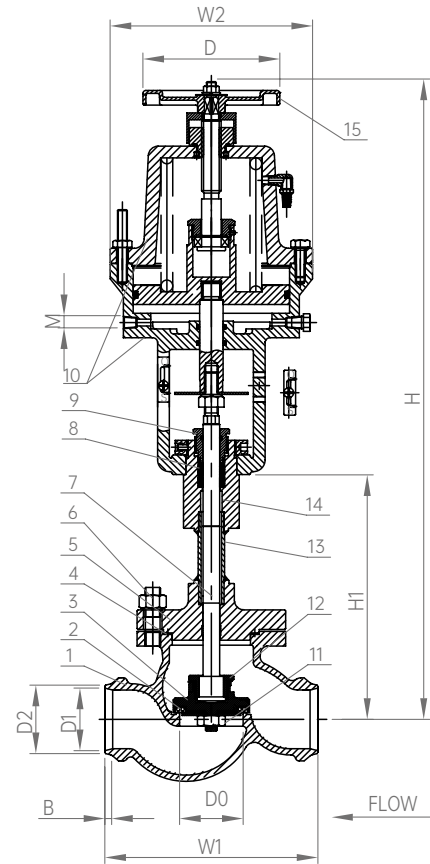
DJ661F-16P

Emergency Shut-off Valve

Parameters

PN: 1.6MPa
DN: Ø65 ~ Ø100
Design Temp.: -196°C ~ +75°C
Media: LNG, LO₂, LN₂, LAr, CO₂
Driving Pressure: 0.4 ~ 0.7MPa

Connection: Butt Weld



This kind of product has certified by CE, EAC, TS and CCS
Standards: GB/T 24918, EN1626:2008, TR CU 032/2013

Materials

1	Body	CF8	6	Screw	S30408	11	Hexagon Nut	S30408
2	Disc Sealing	PCTFE	7	Stem	S30408	12	Connecting Nut	S30408
3	Disc	S30408	8	V ring	PTFE	13	Connecting Pipe	S30408
4	Gasket	RPTFE	9	Gland Nut	S30408	14	Gland Packings	S30408
5	Bonnet	S30408	10	Cylinder Body & Cover	ZL104	15	Hand Wheel	Y102

Model No.	Specifications & Dimensions (mm)										Maximum Working Pressure (MPa)	Weight(kg)
	H	H1	D	D0	D1	D2	B	W1	W2	M		
DJQ-65	673	250	Ø65	Ø70	Ø76	Ø140	7	216	207	Rc1/4	1.6	24.5
DJQ-80	798	319	Ø80	Ø81	Ø89	Ø200	8	241	250	Rc1/4	1.6	39.5
DJQ-100	798	319	Ø100	Ø100	Ø108	Ø200	9	292	250	Rc1/4	1.6	47.1

DJ661F-25P

Emergency Shut-off Valve

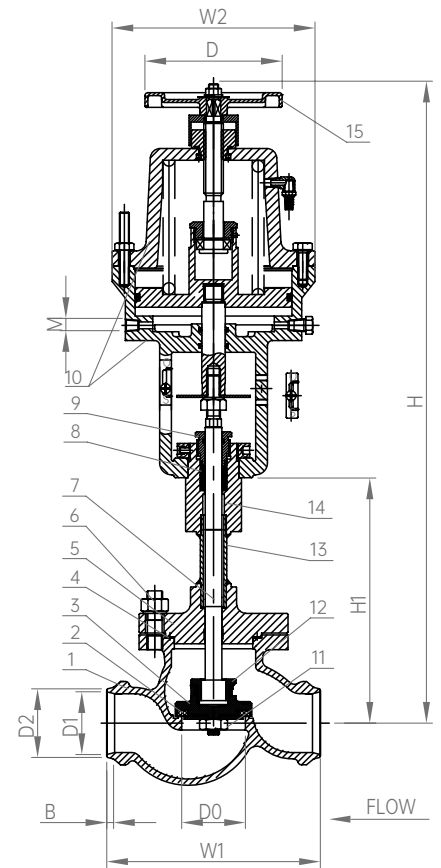
Parameters

PN: 2.5MPa
 DN: Ø65 ~ Ø100
 Design Temp.: -196°C ~ +75°C
 Media: LNG, LO₂, LN₂, LAr, CO₂
 Driving Pressure: 0.4 ~ 0.7MPa

Connection: Butt Weld



This kind of product has certified by CE, EAC, TS and CCS
 Standards: GB/T 24918, EN1626:2008, TR CU 032/2013



Materials

1	Body	CF8	6	Screw	S30408	11	Hexagon Nut	S30408
2	Disc Sealing	PCTFE	7	Stem	S30408	12	Connecting Nut	S30408
3	Disc	S30408	8	V ring	PTFE	13	Connecting Pipe	S30408
4	Gasket	RPTFE	9	Gland Nut	S30408	14	Gland Packings	S30408
5	Bonnet	S30408	10	Cylinder Body & Cover	ZL104	15	Hand Wheel	Y102

Model No.	Specifications & Dimensions (mm)										Maximum Working Pressure (MPa)	Weight(kg)
	H	H1	D	D0	D1	D2	B	W1	W2	M		
DJQ-65B1	673	250	Ø65	Ø70	Ø76	Ø140	7	216	207	Rc1/4	2.5	24.5
DJQ-80B1	798	319	Ø80	Ø81	Ø89	Ø200	8	241	250	Rc1/4	2	39.5
DJQ-100B1	798	319	Ø100	Ø100	Ø108	Ø200	9	292	250	Rc1/4	1.6	47.1



DJ661F-40P

Emergency Shut-off Valve

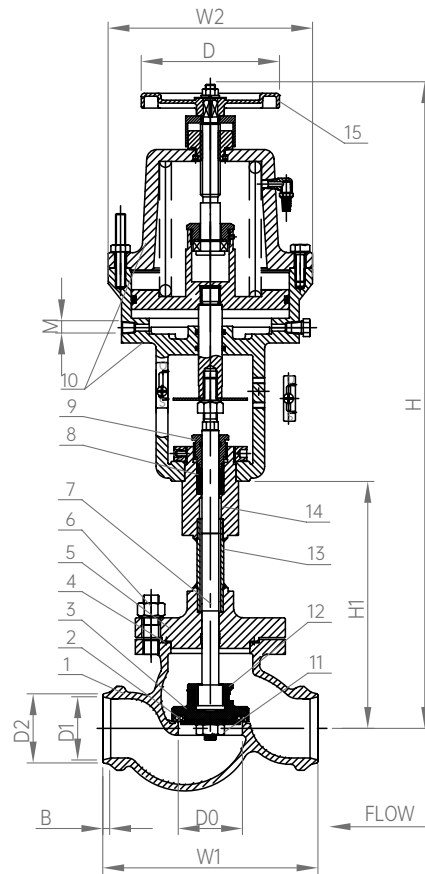
Parameters

PN: 4.0MPa
DN: Ø65 ~ Ø100
Design Temp.: -196°C ~ +75°C
Media: LNG, LO₂, LN₂, LAr, CO₂
Driving Pressure: 0.4 ~ 0.7MPa

Connection: Butt Weld



This kind of product has certified by CE, EAC, TS and CCS
Standards: GB/T 24918, EN1626:2008, TR CU 032/2013



Materials

1	Body	CF8	6	Screw	S30408	11	Hexagon Nut	S30408
2	Disc Sealing	PCTFE	7	Stem	S30408	12	Connecting Nut	S30408
3	Disc	S30408	8	V ring	PTFE	13	Connecting Pipe	S30408
4	Gasket	RPTFE	9	Gland Nut	S30408	14	Gland Packings	S30408
5	Bonnet	S30408	10	Cylinder Body & Cover	ZL104	15	Hand Wheel	Y102

Model No.	Specifications & Dimensions (mm)										Maximum Working Pressure (MPa)	Weight(kg)
	H	H1	D	D0	D1	D2	B	W1	W2	M		
DJQ-65B2	673	250	Ø65	Ø70	Ø76	Ø140	7	216	207	Rc1/4	2.5	25
DJQ-80B2	798	319	Ø80	Ø81	Ø89	Ø200	8	241	250	Rc1/4	2	39.5
DJQ-100B2	798	319	Ø100	Ø100	Ø108	Ø200	9	292	250	Rc1/4	1.6	47.1

DJ661F-16P

Emergency Shut-off Valve

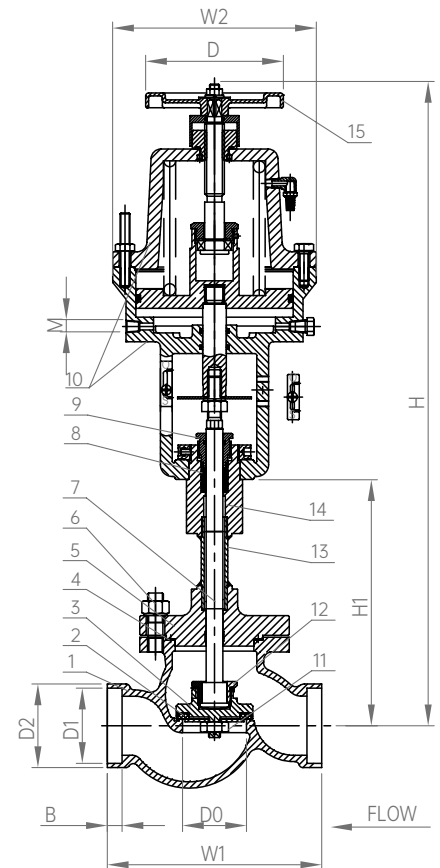
Parameters

PN: 1.6MPa
DN: Ø65 ~ Ø100
Design Temp.: -196°C ~ +75°C
Media: LNG, LO₂, LN₂, LAr, CO₂
Driving Pressure: 0.4 ~ 0.7MPa

Connection: Socket Weld



This kind of product has certified by CE, EAC, TS and CCS
Standards: GB/T 24918, EN1626:2008, TR CU 032/2013



Materials

1	Body	CF8	6	Screw	S30408	11	Hexagon Nut	S30408
2	Disc Sealing	PCTFE	7	Stem	S30408	12	Connecting Nut	S30408
3	Disc	S30408	8	V ring	PTFE	13	Connecting Pipe	S30408
4	Gasket	RPTFE	9	Gland Nut	S30408	14	Gland Packings	S30408
5	Bonnet	S30408	10	Cylinder Body & Cover	ZL104	15	Hand Wheel	Y102

Model No.	Specifications & Dimensions (mm)										Maximum Working Pressure (MPa)	Weight(kg)
	H	H1	D	D0	D1	D2	B	W1	W2	M		
DJQ-65C	673	250	Ø65	Ø76.5	Ø85	Ø140	7	216	207	Rc1/4	1.6	24.4
DJQ-80C	798	319	Ø80	Ø89.5	Ø103	Ø200	8	241	250	Rc1/4	1.6	39.5
DJQ-100C	798	319	Ø100	Ø109	Ø120	Ø200	9	292	250	Rc1/4	1.6	47.1



DJ661F-25P

Emergency Shut-off Valve

Parameters

PN: 2.5MPa

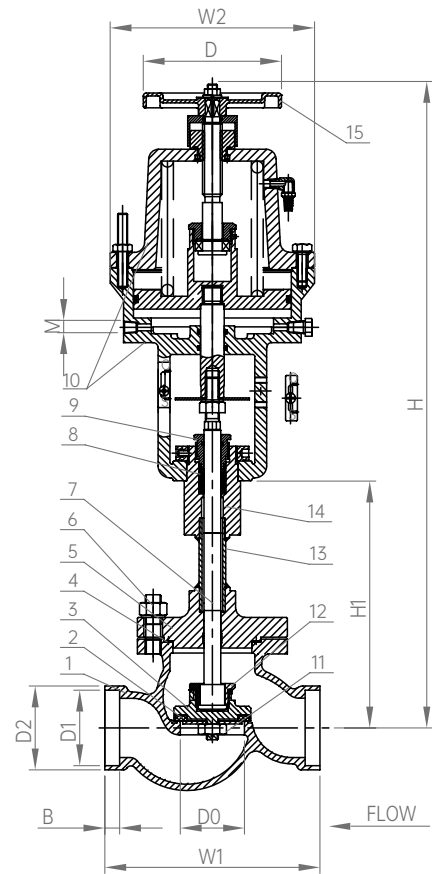
DN: Ø65 ~ Ø100

Design Temp.: -196°C ~ +75°C

Media: LNG, LO₂, LN₂, LAr, CO₂

Driving Pressure: 0.4 ~ 0.7MPa

Connection: Socket Weld



This kind of product has certified by CE, EAC, TS and CCS
Standards: GB/T 24918, EN1626:2008, TR CU 032/2013

Materials

1	Body	CF8	6	Screw	S30408	11	Hexagon Nut	S30408
2	Disc Sealing	PCTFE	7	Stem	S30408	12	Connecting Nut	S30408
3	Disc	S30408	8	V ring	PTFE	13	Connecting Pipe	S30408
4	Gasket	RPTFE	9	Gland Nut	S30408	14	Gland Packings	S30408
5	Bonnet	S30408	10	Cylinder Body & Cover	ZL104	15	Hand Wheel	Y102

Model No.	Specifications & Dimensions (mm)										Maximum Working Pressure (MPa)	Weight(kg)
	H	H1	D	D0	D1	D2	B	W1	W2	M		
DJQ-65C1	673	250	Ø65	Ø76.5	Ø85	Ø140	7	216	207	Rc1/4	2.5	25
DJQ-80C1	798	319	Ø80	Ø89.5	Ø103	Ø200	8	241	250	Rc1/4	2.0	39.5
DJQ-100C1	798	319	Ø100	Ø109	Ø120	Ø200	9	292	250	Rc1/4	1.6	47.1

DJ661F-40P

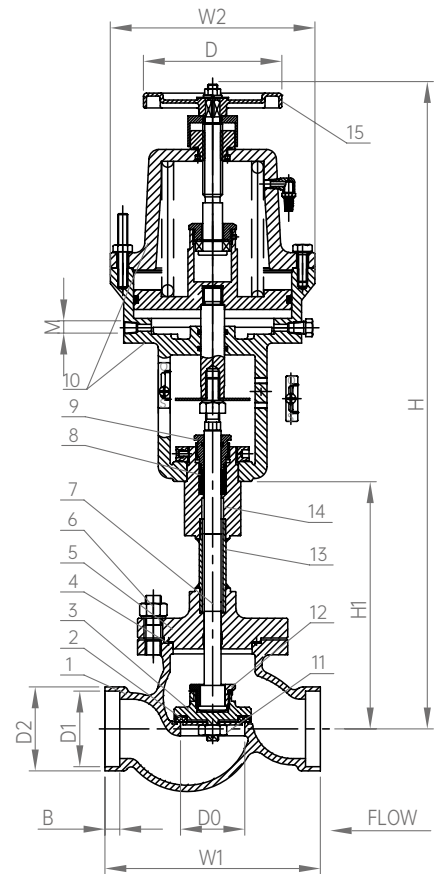
Emergency Shut-off Valve

Parameters

PN: 4.0MPa
 DN: Ø65 ~ Ø100
 Design Temp.: -196°C ~ +75°C
 Media: LNG, LO₂, LN₂, LAr, CO₂
 Driving Pressure: 0.4 ~ 0.7MPa
 Connection: Socket Weld



This kind of product has certified by CE, EAC, TS and CCS
 Standards: GB/T 24918, EN1626:2008, TR CU 032/2013



Materials

1	Body	CF8	6	Screw	S30408	11	Hexagon Nut	S30408
2	Disc Sealing	PCTFE	7	Stem	S30408	12	Connecting Nut	S30408
3	Disc	S30408	8	V ring	PTFE	13	Connecting Pipe	S30408
4	Gasket	RPTFE	9	Gland Nut	S30408	14	Gland Packings	S30408
5	Bonnet	S30408	10	Cylinder Body & Cover	ZL104	15	Hand Wheel	Y102

Model No.	Specifications & Dimensions (mm)										Maximum Working Pressure (MPa)	Weight(kg)
	H	H1	D	D0	D1	D2	B	W1	W2	M		
DJQ-65C2	673	250	Ø65	Ø76.5	Ø85	Ø140	7	216	207	Rc1/4	2.5	25
DJQ-80C2	798	319	Ø80	Ø89.5	Ø103	Ø200	8	241	250	Rc1/4	2.0	39.5
DJQ-100C2	798	319	Ø100	Ø109	Ø120	Ø200	9	292	250	Rc1/4	1.6	47.1



DJ661F-40P

Emergency Shut-off Valve

Parameters

PN: 4.0MPa

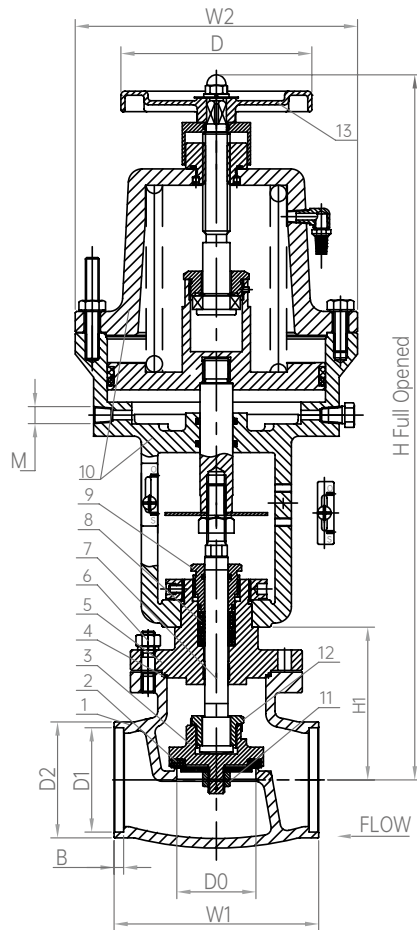
DN: Ø65

Design Temp.: -50°C ~+75°C

Media: CO₂

Driving Pressure: 0.4 ~ 0.7MPa

Connection: Socket Weld



This kind of product has certified by CE, EAC, TS and CCS
Standards: GB/T 24918, EN1626:2008, TR CU 032/2013

Materials

1	Body	CF8	6	Nut	S30408	11	Hexagon Nut	S30408
2	Disc Sealing	PCTFE	7	Stem	S30408	12	Connecting Nut	S30408
3	Disc	S30408	8	V ring	PTFE	13	Hand Wheel	Y102
4	Gasket	RPTFE	9	Gland Nut	S30408			
5	Bonnet	S30408	10	Cylinder Body & Cover	ZL104			

Model No.	Specifications & Dimensions (mm)										Maximum Working Pressure (MPa)	Weight(kg)
	H	H1	D	D0	D1	D2	B	W1	W2	M		
DJQ-65D	517	112	Ø140	Ø58	Ø76.5	Ø85	7	150	Ø207	Rc1/4	4	

DJ641F-40P

Emergency Shut-off Valve

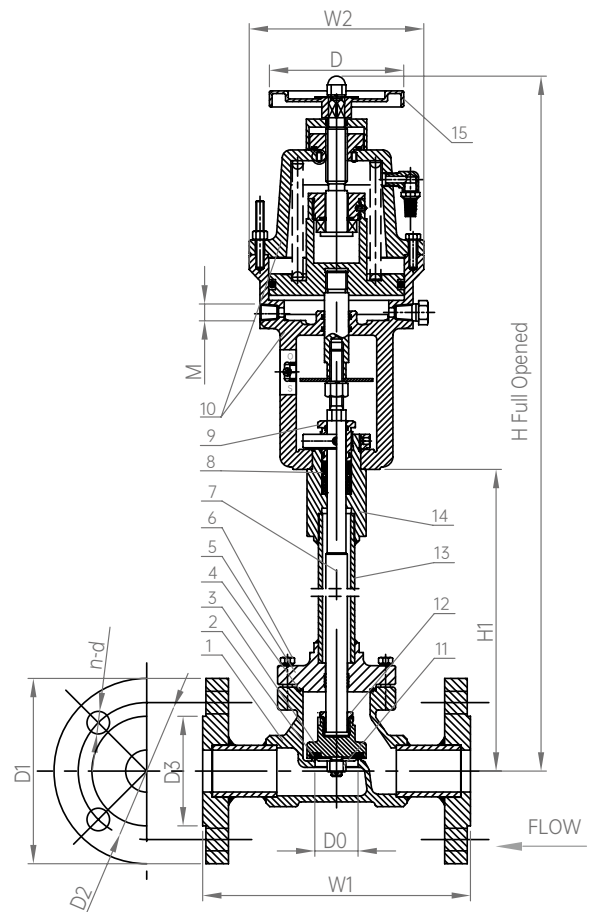
Parameters

PN: 4.0MPa
DN: Ø10 ~ Ø50
Design Temp.: -196°C ~ +75°C
Media: LNG, LO₂, LN₂, LAr, CO₂
Driving Pressure: 0.4 ~ 0.7MPa

Connection: Flanged Connection with PN 40 and Class 150



This kind of product has certified by CE, EAC, TS and CCS
Standards: GB/T 24918, EN1626:2008, TR CU 032/2013



Materials

1	Body	CF8	6	Screw	S30408	11	Hexagon Nut	S30408
2	Disc Sealing	PCTFE	7	Stem	S30408	12	Connecting Nut	S30408
3	Disc	S30408	8	V ring	PTFE	13	Connecting Pipe	S30408
4	Gasket	RPTFE	9	Gland Nut	S30408	14	Gland Packings	S30408
5	Bonnet	S30408	10	Cylinder Body & Cover	ZL104	15	Hand Wheel	Y102

Model No.	Specifications & Dimensions (mm)											Maximum Working Pressure (MPa)	Weight(kg)
	H	H1	D	D0	D1	D2	D3	n-d	W1	W2	M		
DJQ-15F	475	175	Ø100	Ø15	Ø95	Ø65	Ø45	4-Ø14	129	Ø130	Rc1/4	1.6	8.5
DJQ-20F	479	179	Ø100	Ø20	Ø105	Ø75	Ø58	4-Ø14	154	Ø130	Rc1/4	1.6	
DJQ-25F	486	186	Ø100	Ø25	Ø115	Ø85	Ø68	4-Ø14	166	Ø130	Rc1/4	1.6	
DJQ-32F	500	200	Ø100	Ø32	Ø140	Ø100	Ø78	4-Ø18	185	Ø130	Rc1/4	1.6	
DJQ-40F	577	223	Ø125	Ø40	Ø150	Ø110	Ø88	4-Ø18	214	Ø160	Rc1/4	1.6	
DJQ-50F	587	233	Ø125	Ø50	Ø165	Ø125	Ø102	4-Ø18	240	Ø160	Rc1/4	1.6	8.5
DJQ-15FY	475	175	Ø100	Ø15	Ø90	Ø60.3	Ø34.9	4-Ø16	65	Ø130	Rc1/4	1.6	
DJQ-20FY	479	179	Ø100	Ø20	Ø100	Ø69.9	Ø42.9	4-Ø16	80	Ø130	Rc1/4	1.6	
DJQ-25FY	486	186	Ø100	Ø25	Ø110	Ø79.4	Ø50.8	4-Ø16	90	Ø130	Rc1/4	1.6	
DJQ-32FY	500	200	Ø100	Ø32	Ø115	Ø88.9	Ø63.5	4-Ø16	105	Ø130	Rc1/4	1.6	
DJQ-40FY	577	223	Ø125	Ø40	Ø125	Ø98.4	Ø73	4-Ø16	120	Ø160	Rc1/4	1.6	1.6
DJQ-50FY	587	233	Ø125	Ø50	Ø150	Ø127.7	Ø92.1	4-Ø18	140	Ø160	Rc1/4		



DJ641F-25P

Emergency Shut-off Valve

Parameters

PN: 2.5MPa

DN: Ø65 ~ Ø100

Design Temp.: -196°C ~ +75°C

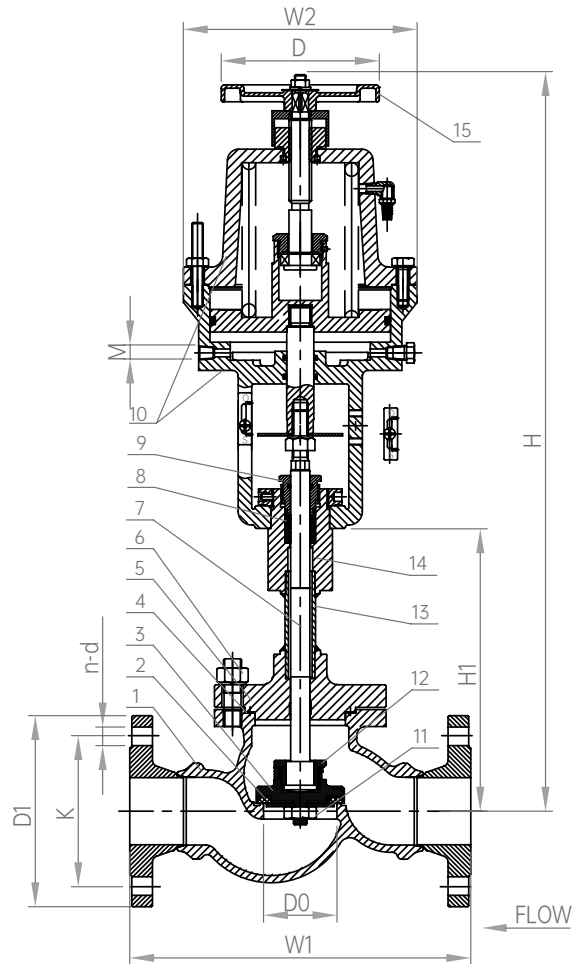
Media: LNG, LO₂, LN₂, LAr, CO₂

Driving Pressure: 0.4 ~ 0.7MPa

Connection: Flanged connection with PN 25



This kind of product has certified by CE, EAC, TS and CCS
Standards: GB/T 24918, EN1626:2008, TR CU 032/2013



Materials

1	Body	CF8	6	Screw	S30408	11	Hexagon Nut	S30408
2	Disc Sealing	PCTFE	7	Stem	S30408	12	Connecting Nut	S30408
3	Disc	S30408	8	V ring	PTFE	13	Connecting Pipe	S30408
4	Gasket	RPTFE	9	Gland Nut	S30408	14	Gland Packings	S30408
5	Bonnet	S30408	10	Cylinder Body & Cover	ZL104	15	Hand Wheel	Y102

Model No.	Specifications & Dimensions (mm)										Maximum Working Pressure (MPa)	Weight(kg)
	H	H1	D	D0	D1	K	n-d	W1	W2	M		
DJQ-65F1	673	250	Ø140	Ø65	Ø185	Ø145	8-Ø18	308	207	Rc1/4	2.5	
DJQ-80F1	798	319	Ø200	Ø80	Ø200	Ø160	8-Ø18	345	250	Rc1/4	2.0	
DJQ-100F1	798	319	Ø200	Ø100	Ø235	Ø190	8-Ø22	410	250	Rc1/4	1.6	

DJ641F-40P

Emergency Shut-off Valve

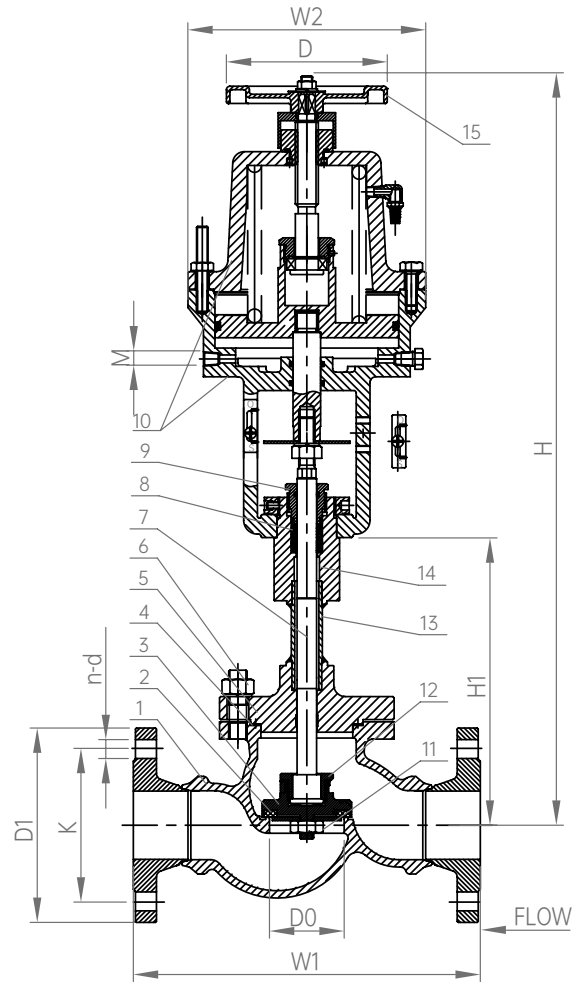
Parameters

PN: 4.0MPa
 DN: Ø65 ~ Ø100
 Design Temp.: -196°C ~ +75°C
 Media: LNG, LO₂, LN₂, LAr, CO₂
 Driving Pressure: 0.4 ~ 0.7MPa

Connection: Flanged connection with PN 40



This kind of product has certified by CE, EAC, TS and CCS
 Standards: GB/T 24918, EN1626:2008, TR CU 032/2013



Materials

1	Body	CF8	6	Screw	S30408	11	Hexagon Nut	S30408
2	Disc Sealing	PCTFE	7	Stem	S30408	12	Connecting Nut	S30408
3	Disc	S30408	8	V ring	PTFE	13	Connecting Pipe	S30408
4	Gasket	RPTFE	9	Gland Nut	S30408	14	Gland Packings	S30408
5	Bonnet	S30408	10	Cylinder Body & Cover	ZL104	15	Hand Wheel	Y102

Model No.	Specifications & Dimensions (mm)										Maximum Working Pressure (MPa)	Weight(kg)
	H	H1	D	D0	D1	K	n-d	W1	W2	M		
DJQ-65F2	673	250	Ø140	Ø65	Ø185	Ø145	8-Ø18	308	207	Rc1/4	2.5	
DJQ-80F2	798	319	Ø200	Ø80	Ø200	Ø160	8-Ø18	345	250	Rc1/4	2	
DJQ-100F2	798	319	Ø200	Ø100	Ø235	Ø190	8-Ø22	410	250	Rc1/4	1.6	



DJ661F-40P

Emergency Shut-off Valve

Parameters

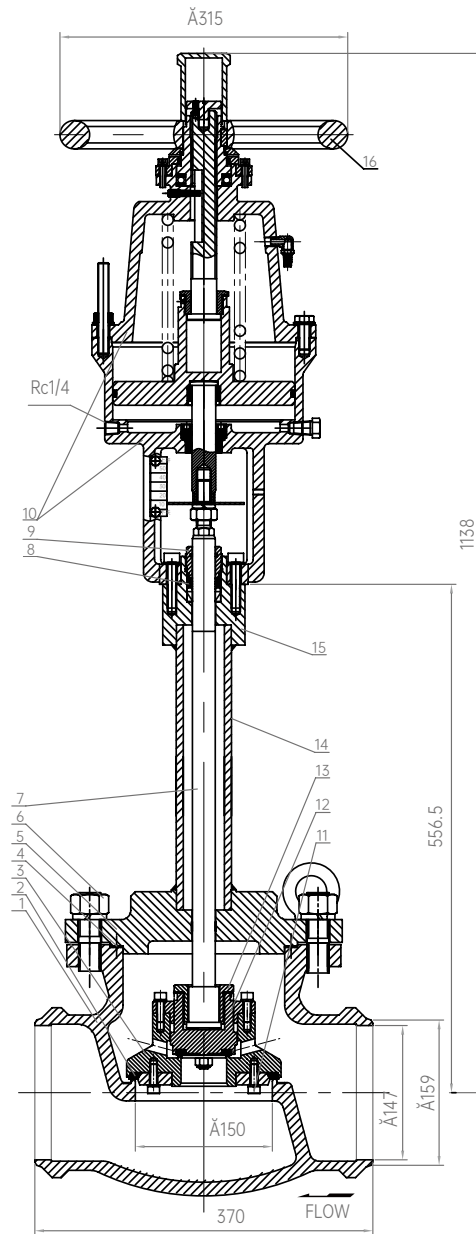
PN: 4.0MPa
DN: Ø150
Design Temp.: -196°C ~+75°C
Media: LNG, LO₂, LN₂, LAr, CO₂
Driving Pressure: 0.4 ~ 0.7MPa

Connection: Butt Weld



This kind of product has certified by CE, EAC, TS and CCS
Standards: GB/T 24918, EN1626:2008, TR CU 032/2013

Model No.DJQ-150



Materials

1	Body	CF8	7	Stem	S30408	13	Connecting Nut	S30408
2	Disc Sealing	PCTFE	8	V ring	PTFE	14	Connecting Pipe	S30408
3	Disc	S30408	9	Gland Nut	S30408	15	Gland Packings	S30408
4	Gasket	RPTFE	10	Cylinder Body & Cover	ZL104	16	Hand Wheel	Y102
5	Bonnet	S30408	11	Screw	S30408			
6	Screw	S30408	12	Pilot Disc	S30408			

DJ661F-40P

Emergency Shut-off Valve

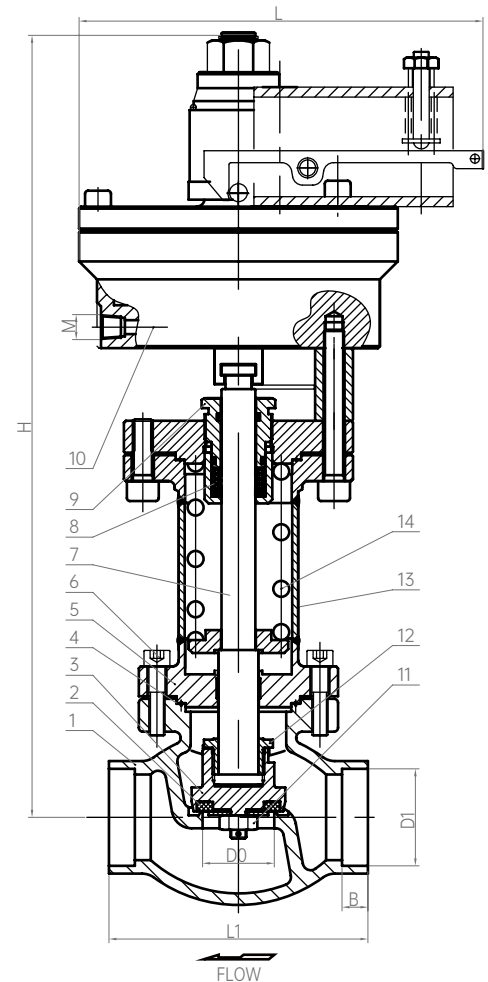
Parameters

PN: 4.0MPa
DN: Ø25 ~ Ø50
Design Temp.: -196°C ~ +75°C
Media: LNG, LO₂, LN₂, LAr, CO₂
Driving Pressure: 0.4 ~ 0.7MPa

Connection: Socket Weld



This kind of product has certified by CE, EAC, TS and CCS
Standards: GB/T 24918, EN1626:2008, TR CU 032/2013



Materials

1	Body	CF3M	6	Screw	S31603	11	Hexagon Nut	S30408
2	Disc Sealing	PCTFE	7	Stem	S31603	12	Connecting Nut	S30408
3	Disc	HPb59-1	8	V ring	PTFE	13	Connecting Pipe	S31603
4	Gasket	RPTFE	9	Gland Nut	S31603	14	Spring	S30210
5	Bonnet	S31603	10	Cylinder Body	6061(T6)			

Model No.	Specifications & Dimensions (mm)							Weight(kg)
	H	L	L1	D0	D1	B	M	
DJQ-25E	395	203	155	Ø45	Ø57.5	16	Rc1/4	
DJQ-40E	393	203	130	Ø36	Ø45.5	13	Rc1/4	
DJQ-50E	425	203	115	Ø25	Ø32.5	13	Rc1/4	



DJ661F-16P

Emergency Shut-off Valve Normally Opened

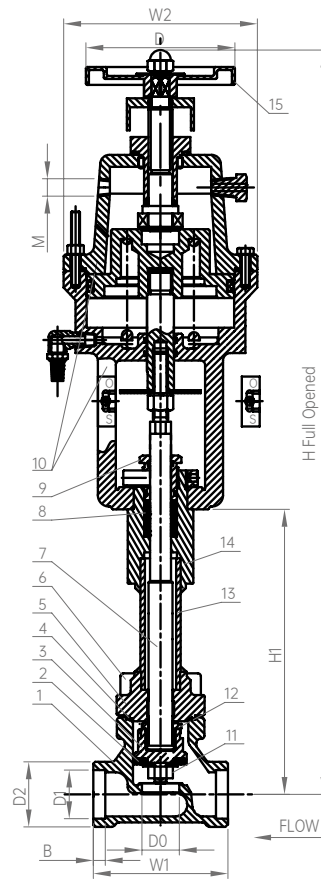
Parameters

PN: 1.6MPa
DN: Ø15 ~ Ø25
Design Temp.: -196°C ~ +75°C
Media: LNG, LO₂, LN₂, LAr, CO₂
Driving Pressure: 0.4 ~ 0.7MPa

Connection: Socket Weld



This kind of product has certified by CE, EAC, TS and CCS
Standards: GB/T 24918, EN1626:2008, TR CU 032/2013



Materials

1	Body	CF8	6	Screw	S30408	11	Hexagon Nut	S30408
2	Disc Sealing	PCTFE	7	Stem	S30408	12	Connecting Nut	S30408
3	Disc	S30408	8	V ring	PTFE	13	Connecting Pipe	S30408
4	Gasket	RPTFE	9	Gland Nut	S30408	14	Gland Packings	S30408
5	Bonnet	S30408	10	Cylinder Body & Cover	ZL104	15	Hand Wheel	Y102

Model No.	Specifications & Dimensions (mm)										Maximum Working Pressure (MPa)	Weight(kg)
	H	H1	D	D0	D1	D2	B	W1	W2	M		
DJQC-15	488	175	Ø100	Ø15	Ø18.5	Ø29.5	6	65	Ø130	Rc1/4	1.6	
DJQC-20	492	179	Ø100	Ø20	Ø25.5	Ø36	8	80	Ø130	Rc1/4	1.6	
DJQC-25	499	186	Ø100	Ø25	Ø32.5	Ø43.5	8	90	Ø130	Rc1/4	1.6	

DJ661F-16P

Emergency Shut-off Valve Normally Opened

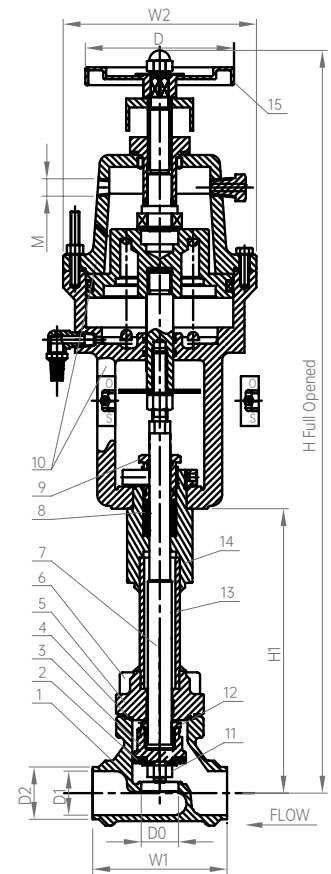
Parameters

PN: 1.6MPa
DN: Ø15 ~ Ø25
Design Temp.: -196°C ~ +75°C
Media: LNG, LO₂, LN₂, LAr, CO₂
Driving Pressure: 0.4 ~ 0.7MPa

Connection: Butt Weld



This kind of product has certified by CE, EAC, TS and CCS
Standards: GB/T 24918, EN1626:2008, TR CU 032/2013



Materials

1	Body	CF8	6	Screw	S30408	11	Hexagon Nut	S30408
2	Disc Sealing	PCTFE	7	Stem	S30408	12	Connecting Nut	S30408
3	Disc	S30408	8	V ring	PTFE	13	Connecting Pipe	S30408
4	Gasket	RPTFE	9	Gland Nut	S30408	14	Gland Packings	S30408
5	Bonnet	S30408	10	Cylinder Body & Cover	ZL104	15	Hand Wheel	Y102

Model No.	Specifications & Dimensions (mm)									Maximum Working Pressure (MPa)	Weight(kg)
	H	H1	D	D0	D1	D2	W1	W2	M		
DJQC-15A	488	175	Ø100	Ø15	Ø17.08	Ø21.4	65	Ø130	Rc1/4	1.6	
DJQC-20A	492	179	Ø100	Ø20	Ø22.48	Ø26.7	80	Ø130	Rc1/4	1.6	
DJQC-25A	499	186	Ø100	Ø25	Ø27.9	Ø33.4	90	Ø130	Rc1/4	1.6	



Shanghai Baitu
Cryogenic Valve.Co.,Ltd.

Cryogenic Valve Solutions
Worth Your Trust



Add: Building 5, No.428, Changhong Road, Baoshan District, Shanghai, China

E-mail: sales@baituvalves.com

Website: www.baituvalves.com