

BAITU CRYOGENIC VALVE

Cryogenic Transportation &
Storage Equipment/
LNG Filling Station



Cryogenic Valve Solutions
Worth Your Trust



Shanghai Baitu
Cryogenic Valve.Co.,Ltd.

www.baituvalves.com



Safety Valve

www.baituvalves.com

BAITU CRYOGENIC VALVE



Safety Valve

DA-08C~DA-08C5	171
DA-08F~DA-08F5	172
DA-08G~DA-08G5	173
DA-08.99.xxx~DA-08G.99.xxx	174
DA-10~DA-10C2	175
DA-15~DA-15A3	176
DA-25~DA-25A4	177
DA22F-40P(15B)~DA22F-40P(25B2)	178
DA22F-40P(10C)~DA22F-40P(25C2)	179
DA22F-40P(15F)~DA22F-40P(25F2)	180
DA22F-40P(10G)~DA22F-40P(25G2)	181
DA22F-40P(15M)~DA22F-40P(25M2)	182
DA22F-40P(25HC)	183
DA22F-40P(25HD)	184
DA22F-40P(25HE)	185
DA22F-40P(32C)~DA22F-40P(32C2)	186
DA22Y-40P(40)~DA22Y-40P(40A)	187
DA22Y-40P(50)~DA22Y-40P(50A)	188
DA22F40P(15B).99.xxx~DA22F40P(25B).99.xxx	189
DA22F40P(15B).98.xxx~DA22F40P(25B).98.xxx	190
DA22F40P(15B).97.xxx~DA22F40P(25B).97.xxx	191
DAH-10~DAH-25A1	192
DAH-15D~DAH-15D2	193
DAH-15E~DAH-25E1	194
DAH-25B~DAH-25B1	195
DGA-10.A01~DGA-10.A03	196
DGA-15.A01~DGA-15.A03	197
DGA-15.B01~DGA-15.B03	198
DGA-20.A01~DGA-20.A03	199
QGA-15~QGA-15.A01	200



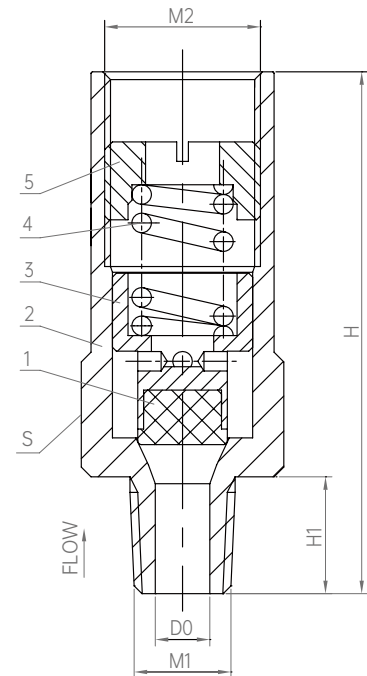
Cryogenic Relief Valve

Parameters

PN: 4.0MPa
DN: Ø8
Design Temp.: -196°C ~+85°C
Media: LNG, LO₂, LN₂, LAr, CO₂
Flow Coefficient: 0.3



This kind of product has certified by CE, EAC, TS, ECE R110
Standards: GB/T 29026, EN13648:2008, TR CU 032/2013



Materials

- | | | |
|---|---------------|---------|
| 1 | Gasket | PFA |
| 2 | Body | HPb59-1 |
| 3 | Gate | HPb59-1 |
| 4 | Spring | S30210 |
| 5 | Adjusting Nut | HPb59-1 |

Model No.	Specifications & Dimensions (mm)						Set Pressure (Mpa)	Weight(kg)
	H	H1	D0	S	M1	M2		
DA-08C	70	15	Ø7	24	NPT 1/4	M20×1.5	0.4 ~ 1.0	0.2
DA-08C1	70	15	Ø7	24	NPT 1/4	M20×1.5	1.01 ~ 1.76	0.2
DA-08C2	70	15	Ø7	24	NPT 1/4	M20×1.5	1.77 ~ 2.4	0.2
DA-08C3	70	15	Ø7	24	NPT 1/4	M20×1.5	2.41 ~ 2.76	0.2
DA-08C5	70	15	Ø7	24	NPT 1/4	M20×1.5	2.77 ~ 4.0	0.2



Cryogenic Relief Valve

Parameters

PN: 4.0MPa

DN: Ø8

Design Temp.: -196°C ~+85°C

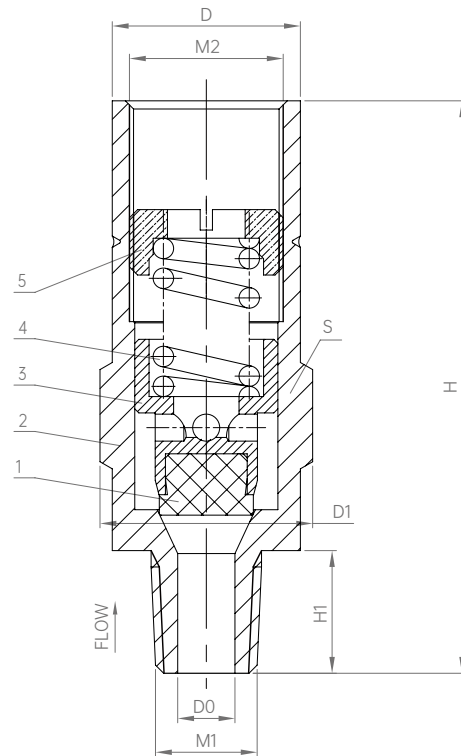
Media: LNG, LO₂, LN₂, LAr, CO₂

Flow Coefficient: 0.3



This kind of product has certified by CE,EAC,TS, ECE R110

Standards: GB/T 29026,EN13648:2008,TR CU 032/2013



Materials

- | | | |
|---|---------------|---------|
| 1 | Gasket | PFA |
| 2 | Body | HPb59-1 |
| 3 | Gate | HPb59-1 |
| 4 | Spring | S30210 |
| 5 | Adjusting Nut | HPb59-1 |

Model No.	Specifications & Dimensions (mm)						Set Pressure (Mpa)	Weight(kg)
	H	H1	D0	S	M1	M2		
DA-08F	70	15	Ø7	24	NPT 1/4	3/4-20UNEF	0.4 ~ 1.0	0.2
DA-08F1	70	15	Ø7	24	NPT 1/4	3/4-20UNEF	1.01 ~ 1.76	0.2
DA-08F2	70	15	Ø7	24	NPT 1/4	3/4-20UNEF	1.77 ~ 2.4	0.2
DA-08F3	70	15	Ø7	24	NPT 1/4	3/4-20UNEF	2.41 ~ 2.76	0.2
DA-08F5	70	15	Ø7	24	NPT 1/4	3/4-20UNEF	2.77 ~ 4.0	0.2

Cryogenic Relief Valve

Parameters

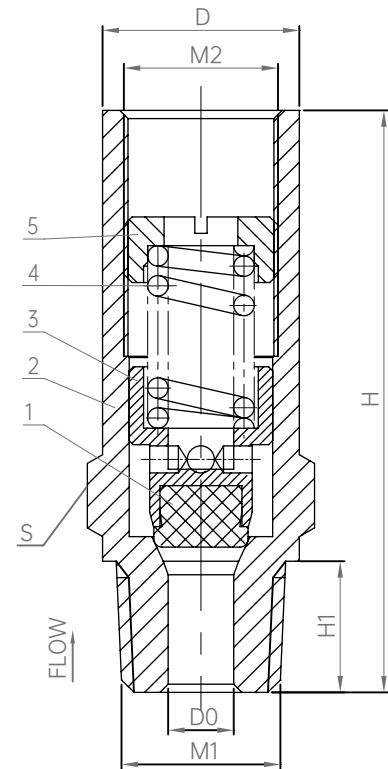
PN: 4.0MPa
DN: Ø8
Design Temp.: -196°C ~ +85°C
Media: LNG, LO₂, LN₂, LAr, CO₂
Flow Coefficient: 0.3



This kind of product has certified by CE, EAC, TS, ECE R110
Standards: GB/T 29026, EN13648:2008, TR CU 032/2013

Materials

1	Gasket	PFA
2	Body	HPb59-1
3	Gate	HPb59-1
4	Spring	S30210
5	Adjusting Nut	HPb59-1



Model No.	Specifications & Dimensions (mm)						Set Pressure (Mpa)	Weight(kg)
	H	H1	D0	S	M1	M2		
DA-08G	71	16	Ø8	24	NPT 1/2	3/4-20UNEF	0.4 ~ 1.0	0.1
DA-08G1	71	16	Ø8	24	NPT 1/2	3/4-20UNEF	1.01 ~ 1.76	0.1
DA-08G2	71	16	Ø8	24	NPT 1/2	3/4-20UNEF	1.77 ~ 2.4	0.1
DA-08G3	71	16	Ø8	24	NPT 1/2	3/4-20UNEF	2.41 ~ 2.76	0.1
DA-08G5	71	16	Ø8	24	NPT 1/2	3/4-20UNEF	2.77 ~ 4.0	0.1

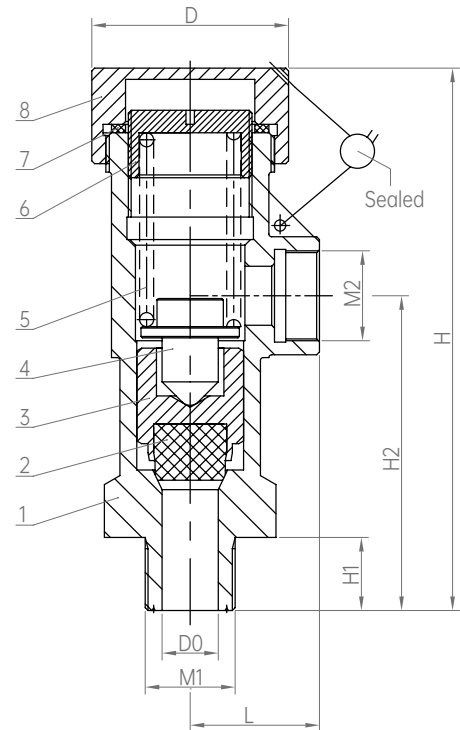
Cryogenic Safety Valve

Parameters

PN: 4.0MPa
DN: Ø10
Design Temp.: -196°C ~+80°C
Media: LNG, LO₂, LN₂, LAr, CO₂
Flow Coefficient: 0.29



This kind of product has certified by CE, EAC, TS and CCS
Standards: GB/T 29026, EN13648:2008, TR CU 032/2013



Materials

1	Body	CF8	5	Spring	S30210
2	Gasket	PTFE+MoS2	6	Adjusting Nut	HPb59-1
3	Disc	HPb59-1	7	Gasket	PTFE
4	Spring Seat	HPb59-1	8	Cover	S30408

Model No.	Specifications & Dimensions (mm)								Set Pressure (MPa)	Weight(kg)
	H	H1	H2	D0	D	L	M1	M2		
DA-10									1.01 ~ 1.9	0.7
DA-10A	96	13	56	Ø10	Ø35	23	M16x1	M16x1	0.31 ~ 1.0	0.7
DA-10C2									1.91 ~ 3.5	0.7



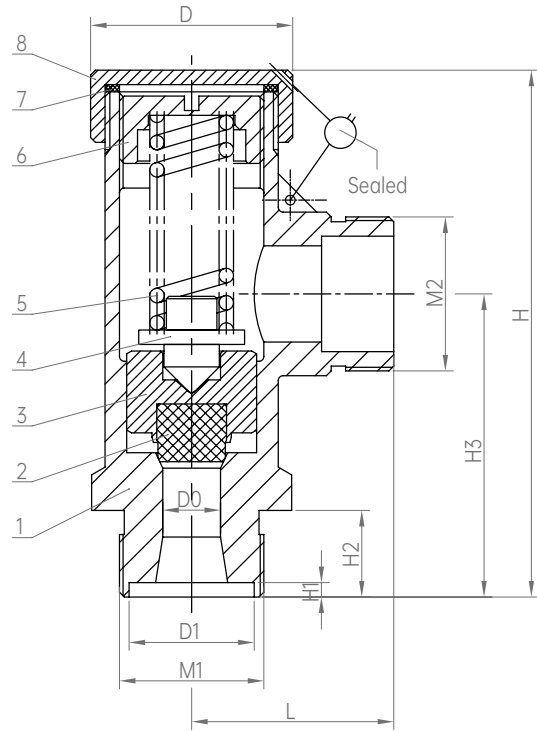
Cryogenic Safety Valve

Parameters

PN: 4.0MPa
DN: Ø15
Design Temp.: -196°C ~+80°C
Media: LNG, LO₂, LN₂, LAr, CO₂
Flow Coefficient: 0.29



This kind of product has certified by CE, EAC, TS and CCS
Standards: GB/T 29026, EN13648:2008, TR CU 032/2013



Materials

1	Body	CF8	5	Spring	S30210
2	Gasket	PTFE+MoS2	6	Adjusting Nut	HPb59-1
3	Disc	HPb59-1	7	Gasket	PTFE
4	Spring Seat	HPb59-1	8	Cover	S30408

Model No.	Specifications & Dimensions (mm)										Set Pressure (MPa)	Weight(kg)
	H	H1	H2	H3	M1	M2	L	D	D0	D1		
DA-15	109	3	18	63	M30x1.5	M32x1.5	42	Ø42	Ø12	Ø26	1.21 ~ 2.0	0.9
DA-15A											0.4 ~ 1.2	0.9
DA-15A1											0.25 ~ 0.39	0.9
DA-15A3											2.01 ~ 3.5	0.9

Cryogenic Safety Valve

Parameters

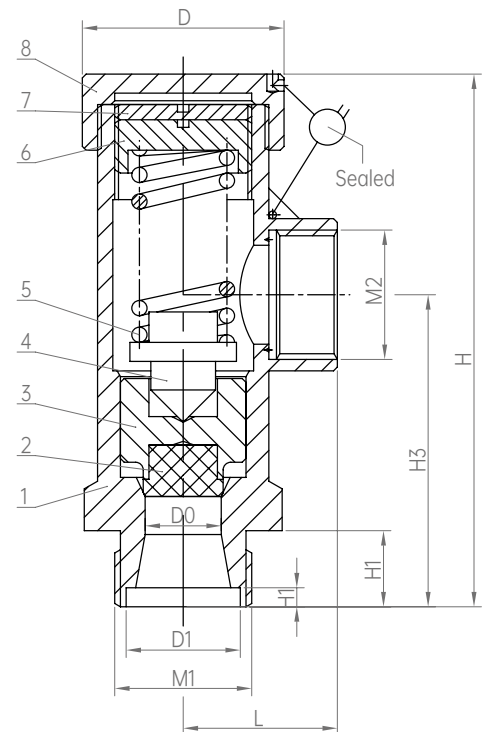
PN: 4.0MPa
DN: Ø25
Design Temp.: -196°C ~+80°C
Media: LNG, LO₂, LN₂, LAr, CO₂
Flow Coefficient: 0.29



This kind of product has certified by CE, EAC, TS and CCS
Standards: GB/T 29026, EN13648:2008, TR CU 032/2013

Materials

1	Body	CF8	5	Spring	S30210
2	Gasket	PTFE+MoS2	6	Adjusting Nut	HPb59-1
3	Disc	HPb59-1	7	Gasket	HPb59-1
4	Spring Seat	HPb59-1	8	Cover	S30408



Model No.	Specifications & Dimensions (mm)										Set Pressure (MPa)	Weight(kg)
	H	H1	H2	H3	M1	M2	L	D	D0	D1		
DA-25	141	5	20	82	M36x2	M33x2	40.5	Ø53	Ø25	Ø30	0.95 ~ 2.1	1.3
DA-25A											0.4 ~ 0.94	1.3
DA-25A2											2.11 ~ 2.59	1.3
DA-25A3											2.60 ~ 3.76	1.3
DA-25A4											0.2 ~ 0.33	1.3



DA22F-40P

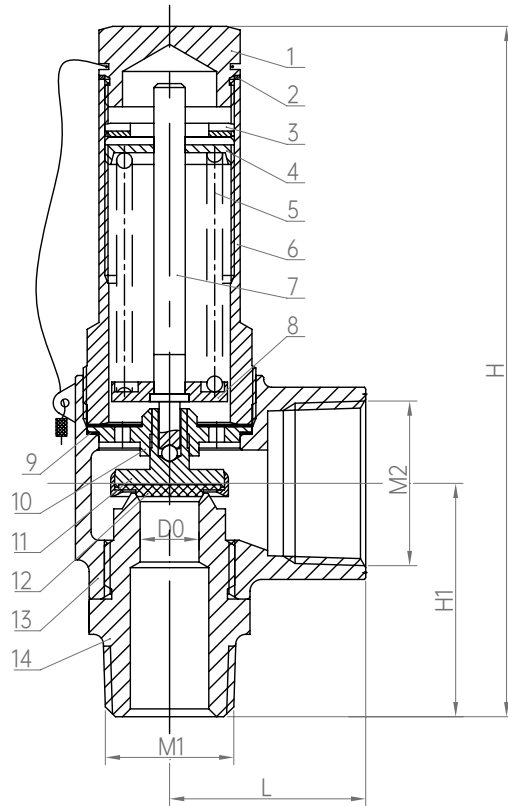
Cryogenic Safety Valve

Parameters

PN: 4.0MPa
Design Temp.: -196°C ~+80°C
Media: LNG, LO₂, LN₂, LAr, CO₂
Flow Coefficient: 0.66



This kind of product has certified by CE, EAC, TS and CCS
Standards: GB/T 29026, EN13648:2008, TR CU 032/2013



Materials

1	Dust Cover	HPb59-1	6	Bonnet	CF8	11	Disc	HPb59-1
2	Upper Gasket	T2	7	Stem	HPb59-1	12	Gasket	PTFE+C
3	Lock Nut	HPb59-1	8	Spring Bottom Pad	HPb59-1	13	Body	CF8
4	Adjusting Nut	HPb59-1	9	Sealing	T2	14	Valve Seat	HPb59-1
5	Spring	S30210	10	Gland Ring	HPb59-1			

Model No.	Specifications & Dimensions (mm)							Set Pressure (MPa)	Weight(kg)
	H	H1	H2	H3	M1	M2	DN		
DA22F-40P(15B)	154.5	49.5	Ø10.5	42.5	NPT 1/2	NPT 1	Ø15	0.4 ~ 1.59	0.8
DA22F-40P(15B1)								1.60 ~ 2.7	0.8
DA22F-40P(15B2)								2.71 ~ 3.5	0.8
DA22F-40P(20B)	157	52	Ø10.5	42.5	NPT 3/4	NPT 1	Ø20	0.4 ~ 1.59	0.9
DA22F-40P(20B1)								1.60 ~ 2.7	0.9
DA22F-40P(20B2)								2.71 ~ 3.5	0.9
DA22F-40P(25B)	181	64.5	Ø15	50	NPT 1	NPT 1 1/4	Ø25	0.4 ~ 1.59	1.3
DA22F-40P(25B1)								1.60 ~ 2.7	1.3
DA22F-40P(25B2)								2.71 ~ 3.5	1.3

DA22F-40P

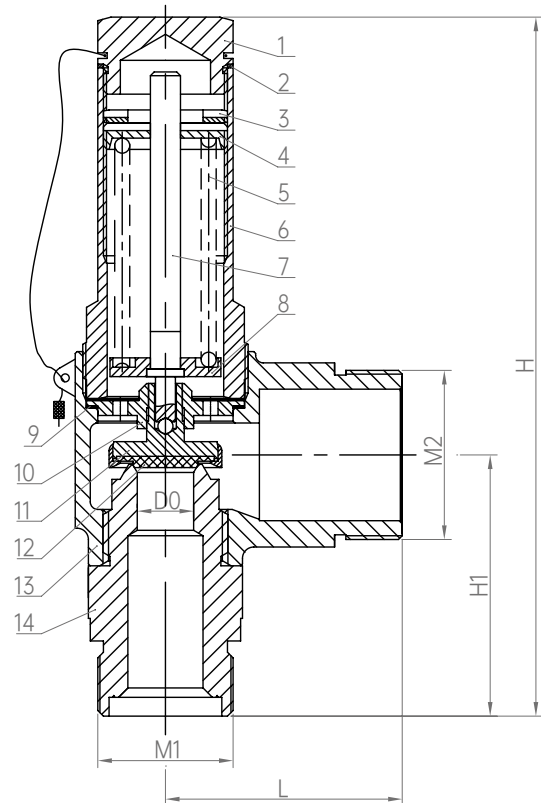
Cryogenic Safety Valve

Parameters

PN: 4.0MPa
Design Temp.: -196°C ~+80°C
Media: LNG. LO₂. LN₂. LAr. CO₂
Flow Coefficient: 0.66



This kind of product has certified by CE, EAC, TS and CCS
Standards: GB/T 29026, EN13648:2008, TR CU 032/2013



Materials

1	Dust Cover	HPb59-1	6	Bonnet	CF8	11	Disc	HPb59-1
2	Upper Gasket	T2	7	Stem	HPb59-1	12	Gasket	PTFE+C
3	Lock Nut	HPb59-1	8	Spring Bottom Pad	HPb59-1	13	Body	CF8
4	Adjusting Nut	HPb59-1	9	Sealing	T2	14	Valve Seat	HPb59-1
5	Spring	S30210	10	Gland Ring	HPb59-1			

Model No.	Specifications & Dimensions (mm)							Set Pressure (MPa)	Weight(kg)
	H	H1	D0	L	M1	M2	DN		
DA22F-40P(10C)	161	56	Ø10.5	49	M30×1.5	M36×2	Ø10	0.4 ~ 1.59	0.8
DA22F-40P(10C1)								1.60 ~ 2.7	0.8
DA22F-40P(10C2)								2.71 ~ 3.5	0.8
DA22F-40P(15C)	161	56	Ø10.5	49	M30×1.5	M36×2	Ø15	0.4 ~ 1.59	1.0
DA22F-40P(15C1)								1.60 ~ 2.7	1.0
DA22F-40P(15C2)								2.71 ~ 3.5	1.0
DA22F-40P(25C)	186	69.5	Ø15	63	M36×2	M45×2	Ø25	0.4 ~ 1.59	1.5
DA22F-40P(25C1)								1.60 ~ 2.7	1.5
DA22F-40P(25C2)								2.71 ~ 3.5	1.5



DA22F-40P

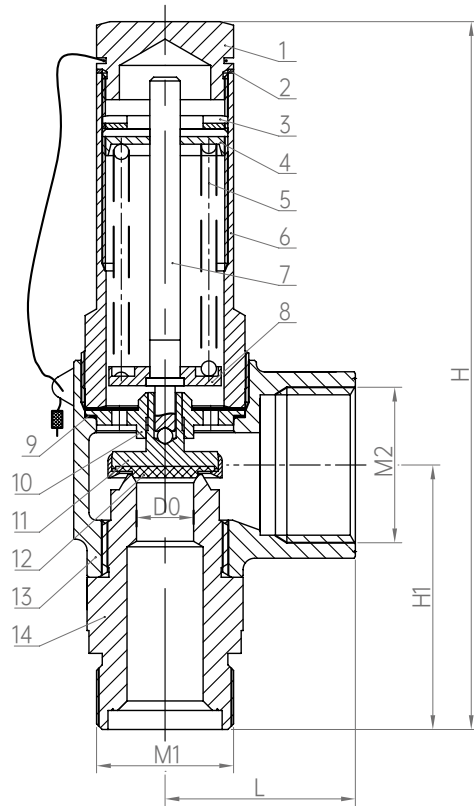
Cryogenic Safety Valve

Parameters

PN: 4.0MPa
Design Temp.: -196°C ~+80°C
Media: LNG, LO₂, LN₂, LAr, CO₂
Flow Coefficient: 0.66



This kind of product has certified by CE, EAC, TS and CCS
Standards: GB/T 29026, EN13648:2008, TR CU 032/2013



Materials

1	Dust Cover	HPb59-1	6	Bonnet	CF8	11	Disc	HPb59-1
2	Upper Gasket	T2	7	Stem	HPb59-1	12	Gasket	PTFE+C
3	Lock Nut	HPb59-1	8	Spring Bottom Pad	HPb59-1	13	Body	CF8
4	Adjusting Nut	HPb59-1	9	Sealing	T2	14	Valve Seat	HPb59-1
5	Spring	S30210	10	Gland Ring	HPb59-1			

Model No.	Specifications & Dimensions (mm)							Set Pressure (MPa)	Weight(kg)
	H	H1	D0	L	M1	M2	DN		
DA22F-40P(15F)	161	56	Ø13	35	M30×1.5	G 3/4	Ø15	0.4 ~ 1.59	
DA22F-40P(15F1)								1.60 ~ 2.7	
DA22F-40P(15F2)								2.71 ~ 3.5	
DA22F-40P(25F)	186	69.5	Ø20	47	M36×2	G 1 1/4	Ø25	0.4 ~ 1.59	
DA22F-40P(25F1)								1.60 ~ 2.7	
DA22F-40P(25F2)								2.71 ~ 3.5	

DA22F-40P

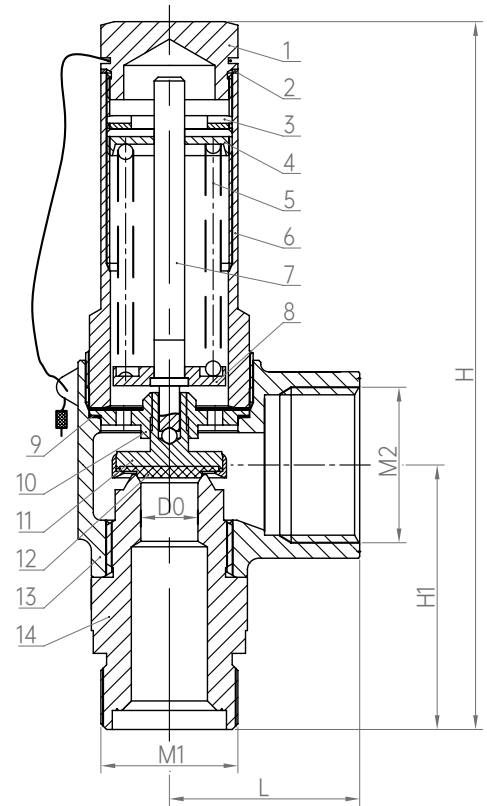
Cryogenic Safety Valve

Parameters

PN: 4.0MPa
Design Temp.: -196°C ~+80°C
Media: LNG. LO₂. LN₂. LAr. CO₂
Flow Coefficient: 0.66



This kind of product has certified by CE, EAC, TS and CCS
Standards: GB/T 29026, EN13648:2008, TR CU 032/2013



Materials

1	Dust Cover	HPb59-1	6	Bonnet	CF8	11	Disc	HPb59-1
2	Upper Gasket	T2	7	Stem	HPb59-1	12	Gasket	PTFE+C
3	Lock Nut	HPb59-1	8	Spring Bottom Pad	HPb59-1	13	Body	CF8
4	Adjusting Nut	HPb59-1	9	Sealing	T2	14	Valve Seat	HPb59-1
5	Spring	S30210	10	Gland Ring	HPb59-1			

Model No.	Specifications & Dimensions (mm)							Set Pressure (MPa)	Weight(kg)
	H	H1	D0	L	M1	M2	DN		
DA22F-40P(10G)	161	56	Ø11	42.5	M30×1.5	NPT 1	Ø10	0.4 ~ 1.59	
DA22F-40P(10G1)								1.60 ~ 2.7	
DA22F-40P(10G2)								2.71 ~ 3.5	
DA22F-40P(15G)	161	56	Ø13	42.5	M30×1.5	NPT 1	Ø15	0.4 ~ 1.59	
DA22F-40P(15G1)								1.60 ~ 2.7	
DA22F-40P(15G2)								2.71 ~ 3.5	
DA22F-40P(25G)	186	69.5	Ø20	50	M36×2	NPT 1 1/4	Ø25	0.4 ~ 1.59	
DA22F-40P(25G1)								1.60 ~ 2.7	
DA22F-40P(25G2)								2.71 ~ 3.5	



DA22F-40P

Cryogenic Safety Valve

Parameters

PN: 4.0MPa

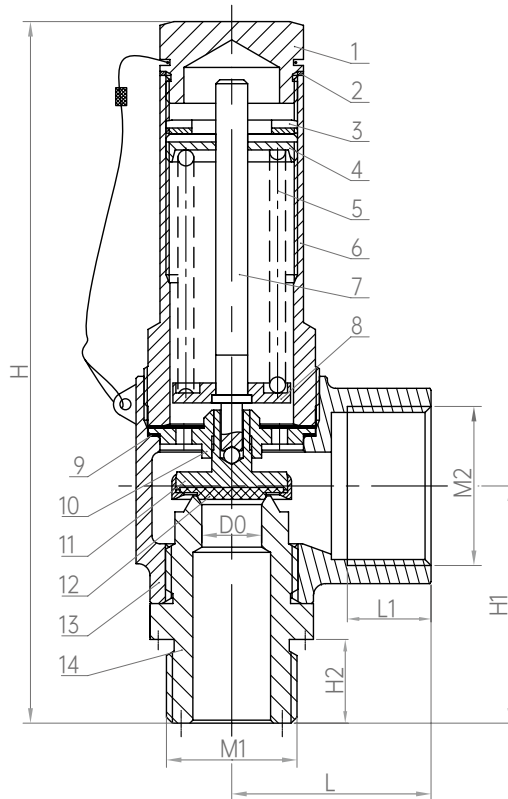
Design Temp.: -196°C ~+80°C

Media: LNG, LO₂, LN₂, LAr, CO₂

Flow Coefficient: 0.66



This kind of product has certified by CE, EAC, TS and CCS
Standards: GB/T 29026, EN13648:2008, TR CU 032/2013



Materials

1	Dust Cover	HPb59-1	6	Bonnet	CF8	11	Disc	HPb59-1
2	Upper Gasket	T2	7	Stem	HPb59-1	12	Gasket	PTFE+C
3	Lock Nut	HPb59-1	8	Spring Bottom Pad	HPb59-1	13	Body	CF8
4	Adjusting Nut	HPb59-1	9	Sealing	T2	14	Valve Seat	HPb59-1
5	Spring	S30210	10	Gland Ring	HPb59-1			

Model No.	Specifications & Dimensions (mm)									Set Pressure (MPa)	Weight(kg)
	H	H1	H2	D0	L	L1	M1	M2	DN		
DA22F-40P(15M)	154.5	49.5	13	Ø10.5	42.5	12	G 1/2	G 1	Ø15	0.4 ~ 1.59	0.8
1.60 ~ 2.7										0.8	
2.71 ~ 3.5										0.8	
DA22F-40P(25M)	176.5	60	18	Ø15	47	20	G 1	G 1 1/4	Ø25	0.4 ~ 1.59	1.3
1.60 ~ 2.7										1.3	
2.71 ~ 3.5										1.3	

DA42F-40P

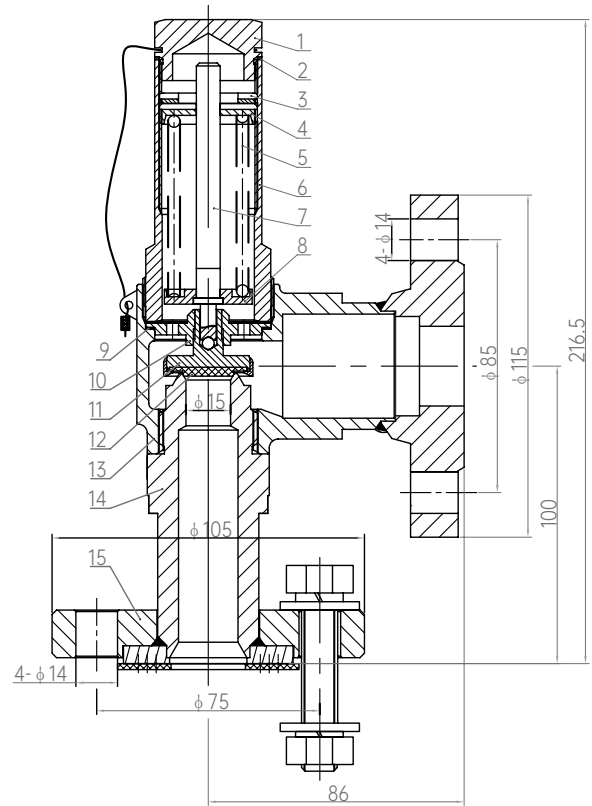
Cryogenic Safety Valve

Parameters

PN: 4.0MPa
 DN: $\phi 25$
 Design Temp.: $-196^{\circ}\text{C} \sim +80^{\circ}\text{C}$
 Media: LNG, LO₂, LN₂, LAr, CO₂
 Flow Coefficient: 0.66
 Set pressure: (0.4 ~ 1.59) MPa



This kind of product has certified by CE, EAC, TS and CCS
 Standards: GB/T 29026, EN13648:2008, TR CU 032/2013



Model No.: DA22F-40P(25HC)

Materials

1	Dust Cover	HPb59-1	6	Bonnet	CF8	11	Disc	HPb59-1
2	Upper Gasket	T2	7	Stem	HPb59-1	12	Gasket	PCTFE
3	Lock Nut	HPb59-1	8	Spring Bottom Pad	HPb59-1	13	Body	CF8
4	Adjusting Nut	HPb59-1	9	Sealing	T2	14	Valve Seat	HPb59-1
5	Spring	S30210	10	Gland Ring	HPb59-1	15	Flange	S30408

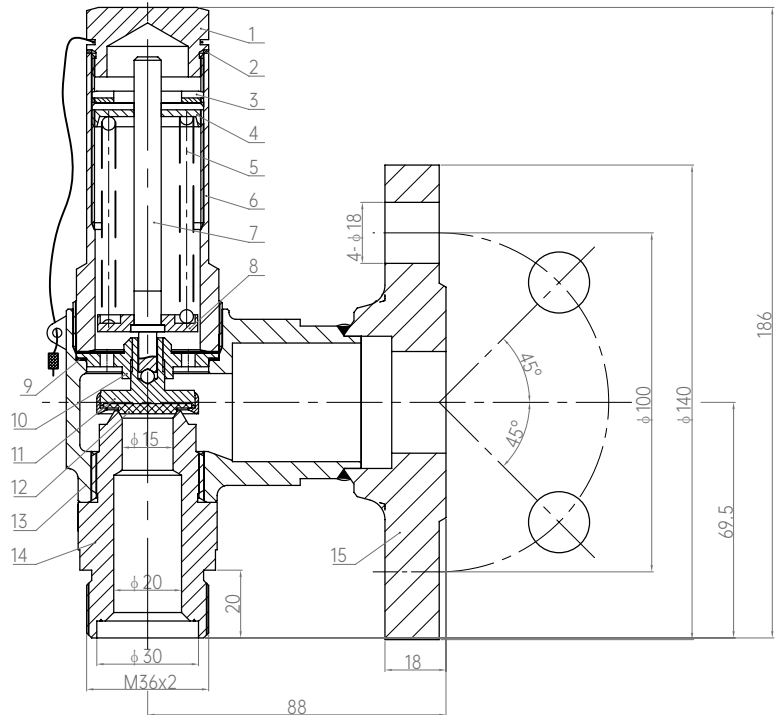


DA22F-40P

Cryogenic Safety Valve

Parameters

- PN: 4.0MPa
- DN: $\varnothing 25$
- Design Temp.: $-196^{\circ}\text{C} \sim +80^{\circ}\text{C}$
- Media: LNG, LO₂, LN₂, LAr, CO₂
- Flow Coefficient: 0.66
- Set pressure: (0.4 ~ 1.59) MPa
- Connection: Flange
- Design Standard of Flange: HG/T 20592-2009



This kind of product has certified by CE, EAC, TS and CCS
Standards: GB/T 29026, EN13648:2008, TR CU 032/2013

Model No.: DA22F-40P(25HD)

Materials

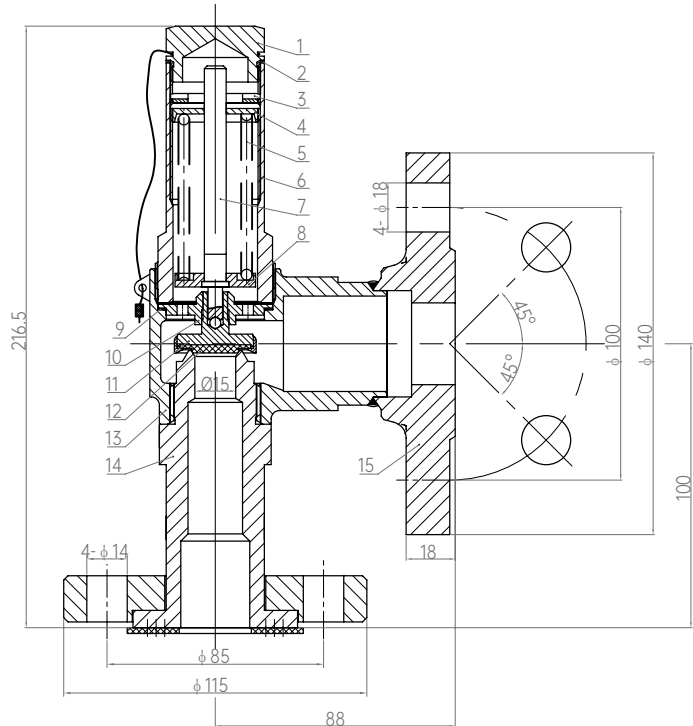
1	Dust Cover	HPb59-1	6	Bonnet	CF8	11	Disc	HPb59-1
2	Upper Gasket	T2	7	Stem	HPb59-1	12	Gasket	PCTFE
3	Lock Nut	HPb59-1	8	Spring Bottom Pad	HPb59-1	13	Body	CF8
4	Adjusting Nut	HPb59-1	9	Sealing	T2	14	Valve Seat	HPb59-1
5	Spring	S30210	10	Gland Ring	HPb59-1	15	Flange	S30408

DA42F-40P

Cryogenic Safety Valve

Parameters

PN: 4.0MPa
 DN: $\varnothing 25$
 Design Temp.: $-196^{\circ}\text{C} \sim +80^{\circ}\text{C}$
 Media: LNG, LO₂, LN₂, LAr, CO₂
 Flow Coefficient: 0.66
 Set pressure: (0.4 ~ 1.59) MPa
 Connection: Flange
 Design Standard of Flange: HG/T 20592-2009



This kind of product has certified by CE, EAC, TS and CCS
 Standards: GB/T 29026, EN13648:2008, TR CU 032/2013

Model No.: DA22F-40P(25HE)

Materials

1	Dust Cover	HPb59-1	6	Bonnet	CF8	11	Disc	HPb59-1
2	Upper Gasket	T2	7	Stem	HPb59-1	12	Gasket	PCTFE
3	Lock Nut	HPb59-1	8	Spring Bottom Pad	HPb59-1	13	Body	CF8
4	Adjusting Nut	HPb59-1	9	Sealing	T2	14	Valve Seat	HPb59-1
5	Spring	S30210	10	Gland Ring	HPb59-1	15	Flange	S30408



DA22F-40P

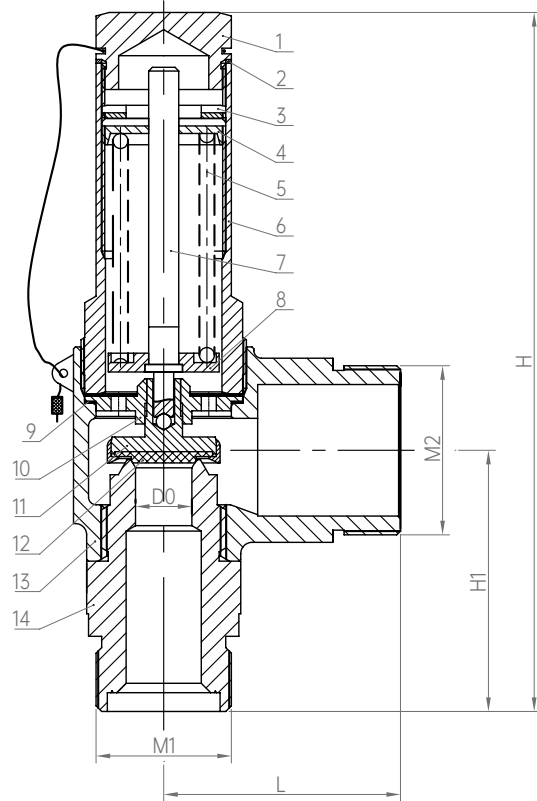
Cryogenic Safety Valve

Parameters

PN: 4.0MPa
DN: Ø32
Design Temp.: -196°C ~+80°C
Media: LNG, LO₂, LN₂, LAr, CO₂
Flow Coefficient: 0.66



This kind of product has certified by CE, EAC, TS and CCS
Standards: GB/T 29026, EN13648:2008, TR CU 032/2013



Materials

1	Dust Cover	HPb59-1	6	Bonnet	CF8	11	Disc	HPb59-1
2	Upper Gasket	T2	7	Stem	HPb59-1	12	Gasket	PCTFE
3	Lock Nut	HPb59-1	8	Spring Bottom Pad	HPb59-1	13	Body	CF8
4	Adjusting Nut	HPb59-1	9	Sealing	T2	14	Valve Seat	HPb59-1
5	Spring	S30210	10	Gland Ring	HPb59-1			

Model No.	Specifications & Dimensions (mm)						Set Pressure (MPa)	Weight(kg)
	H	H1	D0	L	M1	M2		
DA22F-40P(32C)	239	77	Ø25	76.5	M48×2	M56×2	0.4 ~ 1.59	
DA22F-40P(32C1)							1.60 ~ 2.7	
DA22F-40P(32C2)							2.71 ~ 3.5	

DA22Y-40P

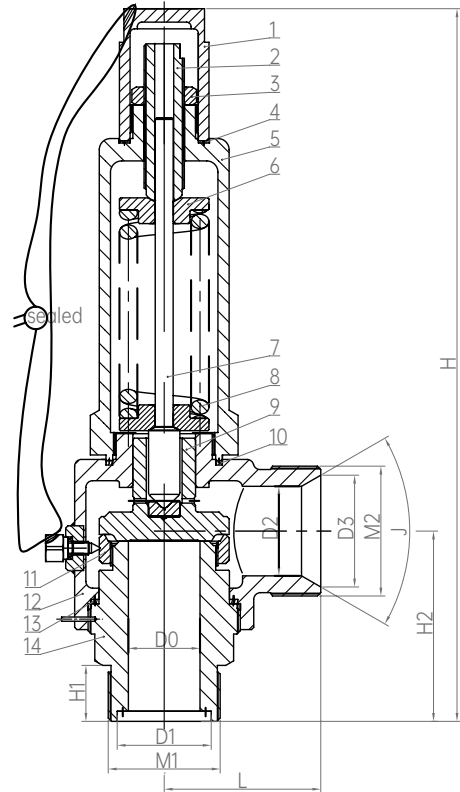
Cryogenic Safety Valve

Parameters

PN: 4.0MPa
 DN: Ø40
 Design Temp.: -196°C ~+80°C
 Media: LNG, LO₂, LN₂, LAr, CO₂
 Flow Coefficient: 0.66



This kind of product has certified by CE, EAC, TS and CCS
 Standards: GB/T 29026, EN13648:2008, TR CU 032/2013



Materials

1 Cover	HPb59-1	6 Spring Seat	S30408	11 Adjusting Ring	HPb59-1
2 Adjusting Screw	HPb59-1	7 Ejector Bar	20Cr13	12 Body	S30408
3 Lock Nut	S30408	8 Spring	S30210	13 Sealing	T2
4 Sealing	PTFE	9 Disc	S32168	14 Valve Seat	S32168
5 Bonnet	S30408	10 Sealing	T2		

Model No.	Specifications & Dimensions (mm)											Set Pressure (MPa)	Weight(kg)
	H	H1	H2	D0	D1	D2	D3	L	J	M1	M2		
DA22Y-40P(40)	318	25	85	Ø32	Ø42	Ø40	Ø50	70	60°	M50x2	M58x2	1.5 ~ 3.5	
DA22Y-40P(40A)												0.4 ~ 1.49	



DA22Y-40P

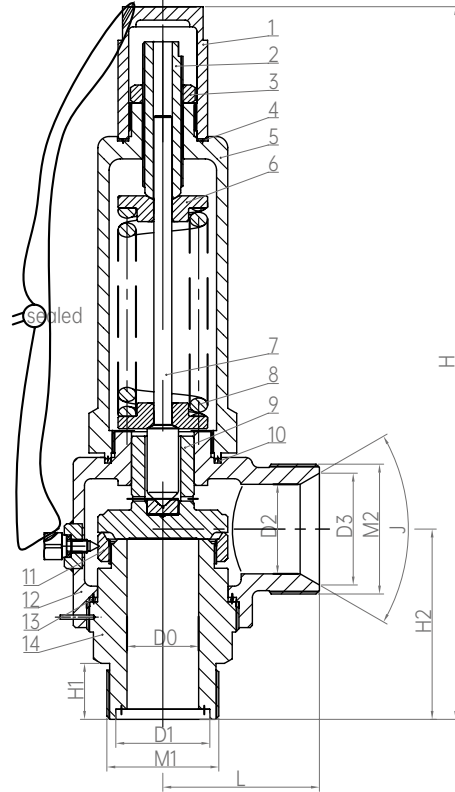
Cryogenic Safety Valve

Parameters

PN: 4.0MPa
DN: Ø50
Design Temp.: -196°C ~+80°C
Media: LNG, LO₂, LN₂, LAr, CO₂
Flow Coefficient: 0.66



This kind of product has certified by CE, EAC, TS and CCS
Standards: GB/T 29026, EN13648:2008, TR CU 032/2013



Materials

1	Cover	HPb59-1	6	Spring Seat	S30408	11	Adjusting Ring	HPb59-1
2	Adjusting Screw	HPb59-1	7	Ejector Bar	20Cr13	12	Body	S30408
3	Lock Nut	S30408	8	Spring	S30210	13	Sealing	T2
4	Sealing	PTFE	9	Disc	S32168	14	Valve Seat	S32168
5	Bonnet	S30408	10	Sealing	T2			

Model No.	Specifications & Dimensions (mm)											Set Pressure (MPa)	Weight(kg)
	H	H1	H2	D0	D1	D2	D3	L	J	M1	M2		
DA22Y-40P(50)	318	25	85	Ø32	Ø42	Ø40	Ø50	70	60°	M50x2	M58x2	1.5 ~ 3.5	
DA22Y-40P(50A)												0.4 ~ 1.49	



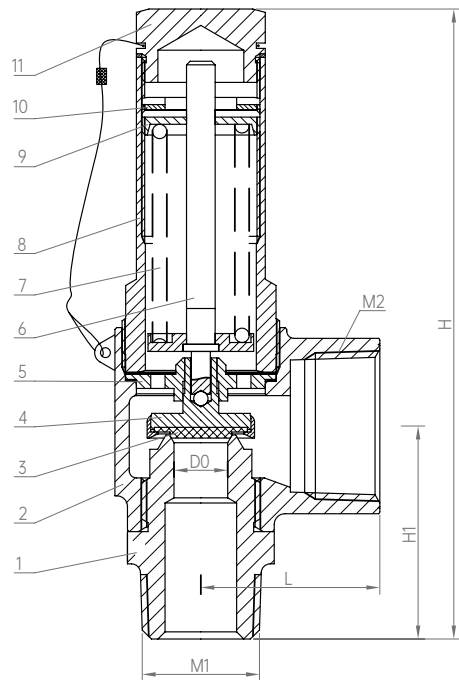
Cryogenic Safety Valve

Parameters

PN: 4.0MPa
DN: Ø15 ~ Ø25
Design Temp.: -196°C ~ +80°C
Media: LNG, LO₂, LN₂, LAr, CO₂



This kind of product has certified by CE, EAC, TS and CCS
Standards: GB/T 29026, EN13648:2008, TR CU 032/2013



Materials

1	Valve Seat	C36000	5	Gland Ring	C36000	9	Adjusting Nut	C36000
2	Body	B62	6	Stem	C36000	10	Lock Nut	C36000
3	Gasket	PTFE+C	7	Spring	S30210	11	Dust Cover	C36000
4	Connecting Bar of Disc	C36000	8	Bonnet	CF8			

Remarks: **DA22F40P(15B).99.xxx**



Model No.	Specifications & Dimensions (mm)							Set pressure (Mpa)	Weight(kg)
	D	H	W	D0	M	M	Cv		
DA22F40P(15B).99.xxx	154.5	49.5	10.5	42.5	NPT 1/2	NPT 1	0.58	0.4 ~ 3.5	
DA22F40P(20B).99.xxx	155.5	50.5	10.5	42.5	NPT 3/4	NPT 1	0.58	0.4 ~ 3.5	
DA22F40P(25B).99.xxx	176	59.5	15	50	NPT 1	NPT 1-1/4	0.5	0.4 ~ 3.5	



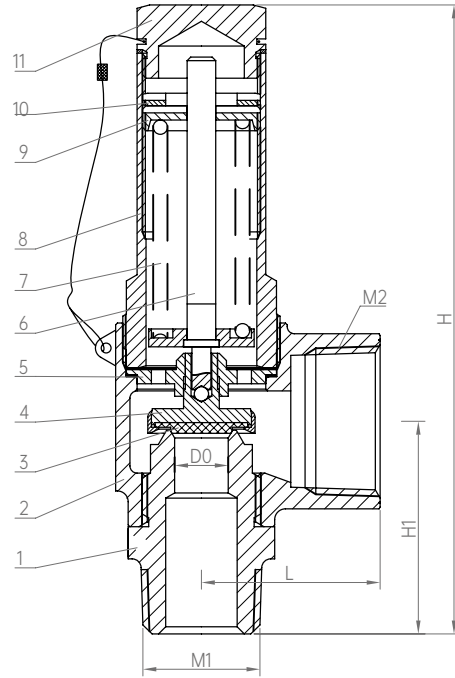
Cryogenic Safety Valve

Parameters

PN: 4.0MPa
DN: Ø15 ~ Ø25
Design Temp.: -196°C ~ +80°C
Media: LNG, LO₂, LN₂, LAr, CO₂



This kind of product has certified by CE, EAC, TS and CCS
Standards: GB/T 29026, EN13648:2008, TR CU 032/2013



Materials

1	Valve Seat	C36000	5	Gland Ring	C36000	9	Adjusting Nut	C36000
2	Body	CF8	6	Stem	C36000	10	Lock Nut	C36000
3	Gasket	PTFE+C	7	Spring	S30210	11	Dust Cover	C36000
4	Connecting Bar of Disc	C36000	8	Bonnet	CF8			

Remarks: **DA22F40P(15B).98.xxx**



Model No.	Specifications & Dimensions (mm)							Set pressure (Mpa)	Weight(kg)
	H	H1	D0(喉径)	L	M1	M2	S/G		
DA22F40P(15B).98.xxx	154.5	49.5	10.5	42.5	NPT 1/2	NPT 1	0.58	0.4 ~ 3.5	
DA22F40P(20B).98.xxx	155.5	50.5	10.5	42.5	NPT 3/4	NPT 1	0.58	0.4 ~ 3.5	
DA22F40P(25B).98.xxx	176	59.5	15	50	NPT 1	NPT 1-1/4	0.5	0.4 ~ 3.5	

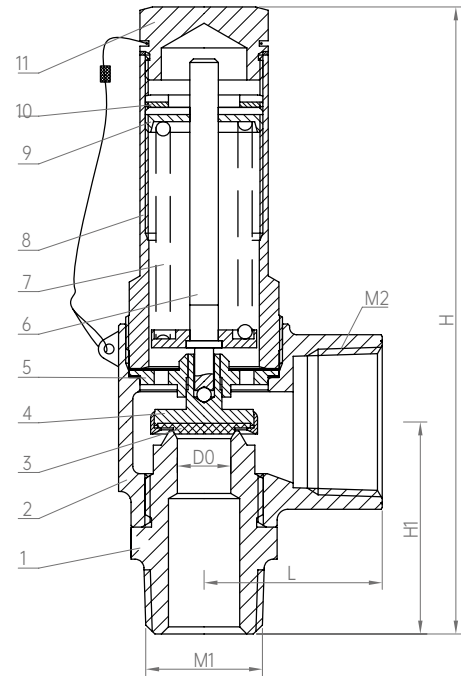
Cryogenic Safety Valve

Parameters

PN: 4.0MPa
DN: Ø15 ~ Ø25
Design Temp.: -196°C ~+80°C
Media: LNG. LO₂. LN₂. LAr. CO₂



This kind of product has certified by CE, EAC, TS and CCS
Standards: GB/T 29026, EN13648:2008, TR CU 032/2013



Materials

1	Valve Seat	C36000	5	Gland Ring	C36000	9	Adjusting Nut	C36000
2	Body	C37700	6	Stem	C36000	10	Lock Nut	C36000
3	Gasket	PTFE+C	7	Spring	S30210	11	Dust Cover	C36000
4	Connecting Bar of Disc	C36000	8	Bonnet	CF8			

Remarks: **DA22F40P(15B).97.xxx**



Model No.	Specifications & Dimensions (mm)							Set pressure (Mpa)	Weight(kg)
	H	H1	D0(喉径)	L	M1	M2	S/G		
DA22F40P(15B).97.xxx	154.5	49.5	10.5	42.5	NPT 1/2	NPT 1	0.58	0.4 ~ 3.5	
DA22F40P(20B).97.xxx	155.5	50.5	10.5	42.5	NPT 3/4	NPT 1	0.58	0.4 ~ 3.5	
DA22F40P(25B).97.xxx	176	59.5	15	50	NPT 1	NPT 1-1/4	0.5	0.4 ~ 3.5	



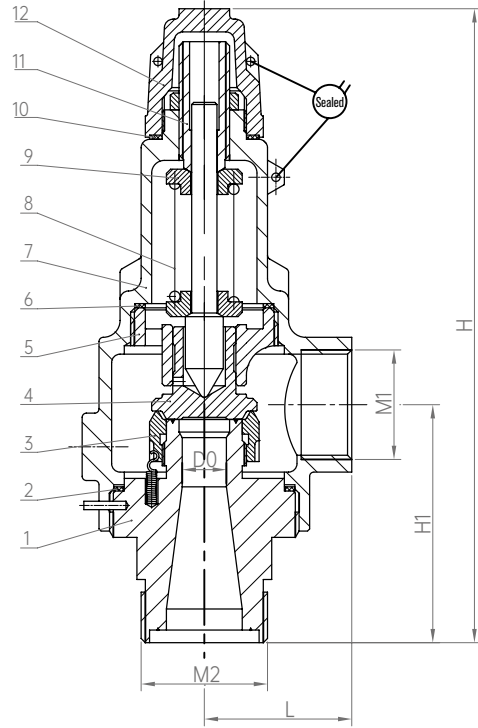
Cryogenic Safety Valve

Parameters

PN: 4.0MPa
Design Temp.: -196°C ~+80°C
Media: LNG, LO₂, LN₂, LAr, CO₂
Flow Coefficient: 0.66



This kind of product has certified by CE, EAC, TS and CCS
Standards: GB/T 29026, EN13648:2008, TR CU 032/2013



Materials

1 Valve Seat	S30408	5 Pilot Sleeve	CF8	9 Washer	S30408
2 Sealing	PTFE	6 Gasket	PTFE	10 Sealing	PTFE
3 Adjusting Ring	CF8	7 Body	CF8	11 Adjusting Screw	HPb59-1
4 Disc	S30408	8 Spring	S30210	12 Cover	CF8

Model No.	Specifications & Dimensions (mm)							Set Pressure (MPa)	Weight(kg)
	H	H1	M1	M2	L	D0	DN		
DAH-10	150	56	G3/4	M30x1.5	35	Ø10	Ø10	0.4 ~ 1.0	0.9
DAH-10A1								1.0 ~ 2.0	0.9
DAH-10A2								2.0 ~ 3.0	0.9
DAH-15	150	56	G3/4	M30x1.5	35	Ø15	Ø15	0.4 ~ 1.0	0.9
DAH-15A1								1.0 ~ 2.0	0.9
DAH-15A2								2.0 ~ 3.0	0.9
DAH-25	197	69	G1 1/4	M36x2	47	Ø25	Ø25	0.4 ~ 1.0	1.8
DAH-25A1								1.0 ~ 2.0	1.8

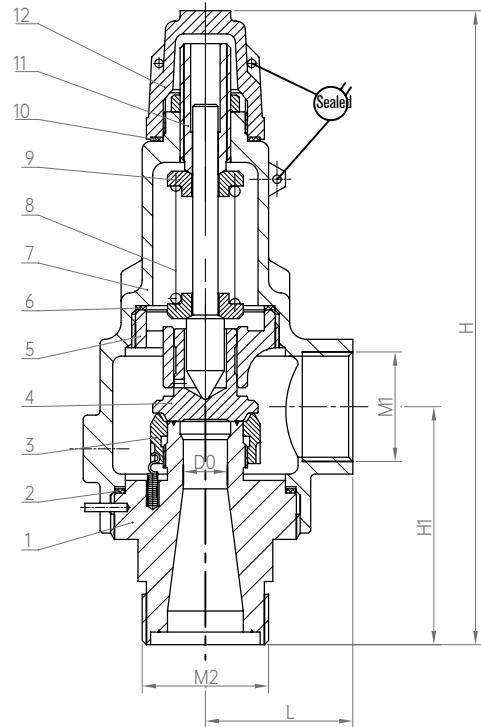
Cryogenic Safety Valve

Parameters

PN: 4.0MPa
DN: Ø15
Design Temp.: -196°C ~+80°C
Media: LNG, LO₂, LN₂, LAr, CO₂
Flow Coefficient: 0.66



This kind of product has certified by CE, EAC, TS and CCS
Standards: GB/T 29026, EN13648:2008, TR CU 032/2013



Materials

1	Valve Seat	S30408	5	Pilot Sleeve	CF8	9	Washer	S30408
2	Sealing	PTFE	6	Gasket	PTFE	10	Sealing	PTFE
3	Adjusting Ring	CF8	7	Body	CF8	11	Adjusting Screw	HPb59-1
4	Disc	S30408	8	Spring	S30210	12	Cover	CF8

Model No.	Specifications & Dimensions (mm)						Set Pressure (MPa)	Weight(kg)
	H	H1	M1	M2	L	D0		
DAH-15D	150	56	Rp 3/4	M30x1.5	35	Ø15	0.4 ~ 1.0	
DAH-15D1							1.0 ~ 2.0	
DAH-15D2							2.0 ~ 3.0	



Cryogenic Safety Valve

Parameters

PN: 4.0MPa

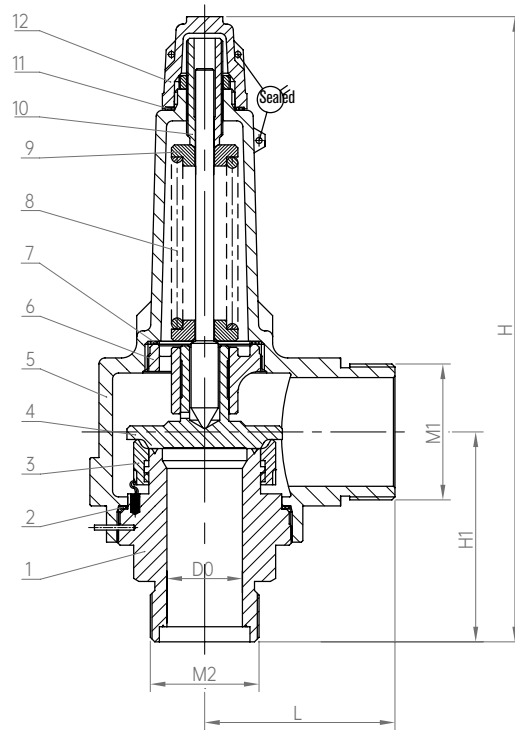
Design Temp.: -196°C ~+80°C

Media: LNG, LO₂, LN₂, LAr, CO₂

Flow Coefficient: 0.66



This kind of product has certified by CE, EAC, TS and CCS
Standards: GB/T 29026, EN13648:2008, TR CU 032/2013



Materials

1	Valve Seat	S30408	5	Body	CF8	9	Washer	S30408
2	Sealing	PTFE	6	pilot sleeve	CF8	10	Adjusting Screw	HPb59-1
3	Adjusting Ring	CF8	7	Gasket	PTFE	11	Sealing	PTFE
4	Disc	S32168	8	Spring	S30210	12	Cover	CF8

Model No.	Specifications & Dimensions (mm)							Set Pressure (MPa)	Weight(kg)
	H	H1	L	D0	M1	M2	DN		
DAH-15E	150	56	49	Ø15	M32x1.5	M30x1.5	Ø15	0.4 ~ 1.0	
DAH-15E1								1.0 ~ 2.0	
DAH-15E2								2.0 ~ 3.0	
DAH-25E	197	69	63	Ø25	M36x2	M45x2	Ø25	0.4 ~ 1.0	1.8
DAH-25E1								1.0 ~ 2.0	1.8

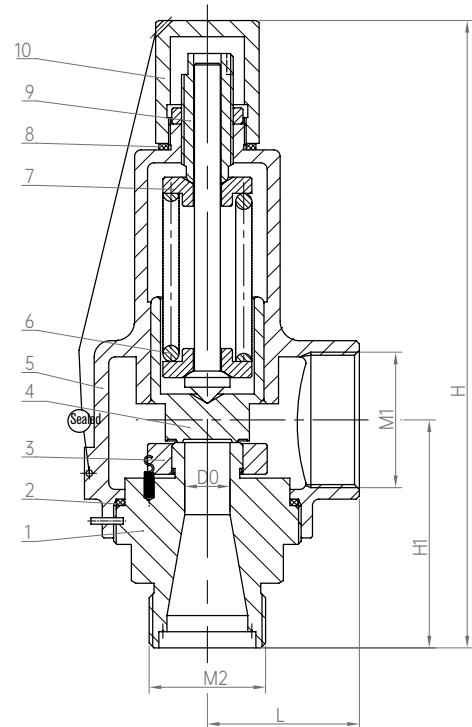
Cryogenic Safety Valve

Parameters

PN: 4.0MPa
DN: Ø25
Design Temp.: -196°C ~+80°C
Media: LNG, LO₂, LN₂, LAr, CO₂
Flow Coefficient: 0.66



This kind of product has certified by CE, EAC, TS and CCS
Standards: GB/T 29026, EN13648:2008, TR CU 032/2013



Materials

1	Valve Seat	S30408	5	Body	CF8	9	Adjusting Screw	HPb59-1
2	Sealing	PTFE	6	Spring	S30210	10	Cover	HPb59-1
3	Adjusting Ring	HPb59-1	7	Spring Seat	S30408			
4	Disc	S30408	8	Sealing	PTFE			

Model No.	Specifications & Dimensions (mm)						Set Pressure (MPa)	Weight(kg)
	H	H1	M1	M2	L	D0		
DAH-25B	193	69	G1 1/4	M36×2	47	Ø14	2.8 ~ 3.15	
DAH-25B1							2.0 ~ 2.75	



High Pressure Cryogenic Safety Valve

Parameters

PN: 32MPa

DN: Ø10

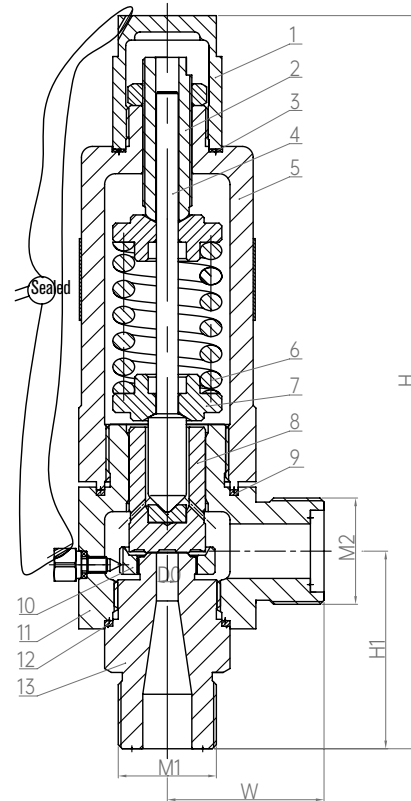
Design Temp.: -196°C ~+80°C

Media: LNG, LO₂, LN₂, LAr, CO₂

Flow Coefficient: 0.66



This kind of product has certified by EAC, TS
Standards: GB/T 29026, TR CU 032/2013



Materials

1	Cover	HPb59-1	6	Spring	S30210	11	Body	S30408
2	Adjusting Screw	HPb59-1	7	Spring Seat	S30408	12	Sealing	T2
3	Gasket	PTFE	8	Disc	S32168	13	Valve Seat	S32168
4	Ejector Bar	S42020	9	Sealing	T2			
5	Bonnet	S30408	10	Adjusting Ring	HPb59-1			

Model No.	Specifications & Dimensions (mm)						Pressure Adjusting Range (MPa)	Weight(kg)
	H	H1	D0	W	M1	M2		
DGA-10.A01	269	72.5	Ø8	57.5	M36×2	M39×2	11 ~ 19.9	
DGA-10.A02							20 ~ 28	
DGA-10.A03							5 ~ 10.9	

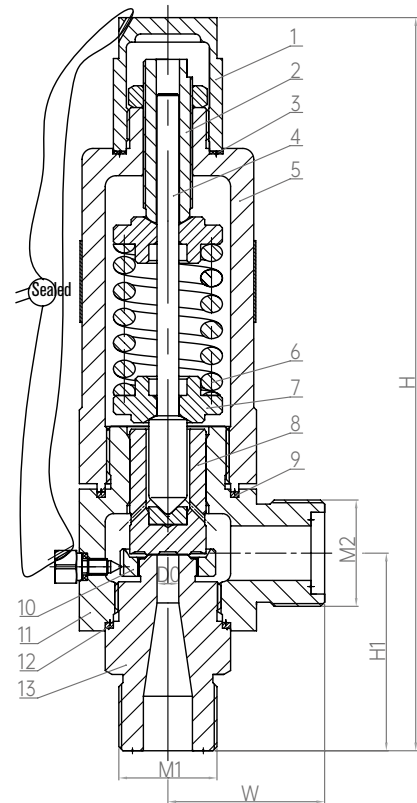
High Pressure Cryogenic Safety Valve

Parameters

PN: 32MPa
DN: Ø15
Design Temp.: -196°C ~+80°C
Media: LNG, LO₂, LN₂, LAr, CO₂
Flow Coefficient: 0.66



This kind of product has certified by EAC, TS
Standards: GB/T 29026, TR CU 032/2013



Materials

1	Cover	HPb59-1	6	Spring	S30210	11	Body	S30408
2	Adjusting Screw	HPb59-1	7	Spring Seat	S30408	12	Sealing	T2
3	Gasket	PTFE	8	Disc	S32168	13	Valve Seat	S32168
4	Ejector Bar	S42020	9	Sealing	T2			
5	Bonnet	S30408	10	Adjusting Ring	HPb59-1			

Model No.	Specifications & Dimensions (mm)						Pressure Adjusting Range (MPa)	Weight(kg)
	H	H1	D0	W	M1	M2		
DGA-15.A01	269	72.5	Ø8	57.5	M36×2	M39×2	11 ~ 19.9	
DGA-15.A02							20 ~ 28	
DGA-15.A03							5 ~ 10.9	



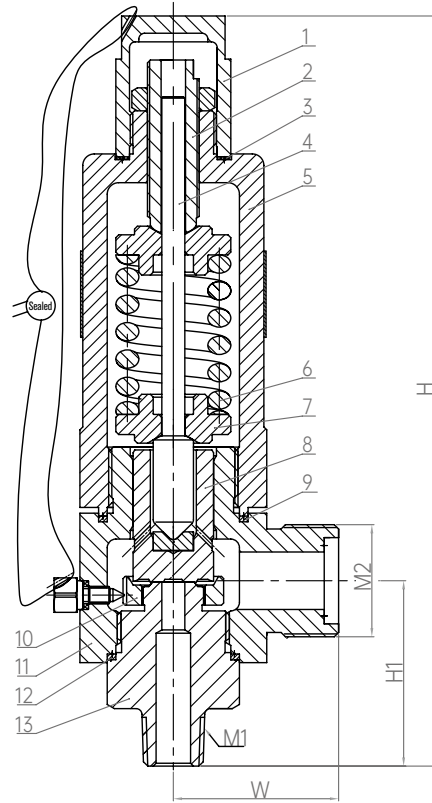
High Pressure Cryogenic Safety Valve

Parameters

PN: 32MPa
DN: Ø15
Design Temp.: -196°C ~+80°C
Media: LNG. LO₂. LN₂. LAr. CO₂
Flow Coefficient: 0.66



This kind of product has certified by EAC, TS
Standards: GB/T 29026, TR CU 032/2013



Materials

1	Cover	HPb59-1	6	Spring	S30210	11	Body	S30408
2	Adjusting Screw	HPb59-1	7	Spring Seat	S30408	12	Sealing	T2
3	Gasket	PTFE	8	Disc	S32168	13	Valve Seat	S32168
4	Ejector Bar	S42020	9	Sealing	T2			
5	Bonnet	S30408	10	Adjusting Ring	HPb59-1			

Model No.	Specifications & Dimensions (mm)						Pressure Adjusting Range (MPa)	Weight(kg)
	H	H1	D0	W	M1	M2		
DGA-15.B01	261	64.5	Ø8	57.5	NPT 1/2	M39×2	11 ~ 19.9	
DGA-15.B02							20 ~ 28	
DGA-15.B03							5 ~ 10.9	

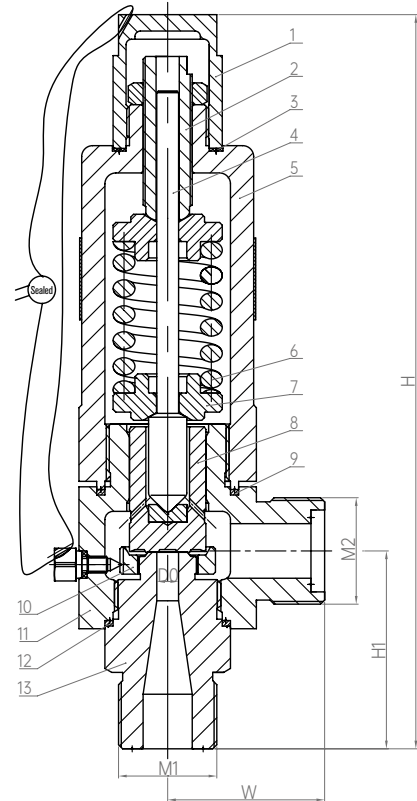
High Pressure Cryogenic Safety Valve

Parameters

PN: 32MPa
DN: Ø20
Design Temp.: -196°C ~+80°C
Media: LNG, LO₂, LN₂, LAr, CO₂
Flow Coefficient: 0.66



This kind of product has certified by EAC, TS
Standards: GB/T 29026, TR CU 032/2013



Materials

1 Cover	HPb59-1	6 Spring	S30210	11 Body	S30408
2 Adjusting Screw	HPb59-1	7 Spring Seat	S30408	12 Sealing	T2
3 Gasket	PTFE	8 Disc	S32168	13 Valve Seat	S32168
4 Ejector Bar	S42020	9 Sealing	T2		
5 Bonnet	S30408	10 Adjusting Ring	HPb59-1		

Model No.	Specifications & Dimensions (mm)						Pressure Adjusting Range (MPa)	Weight(kg)
	H	H1	D0	W	M1	M2		
DGA-20.A01	269	72.5	Ø8	57.5	M36×2	M39×2	11 ~ 19.9	
DGA-20.A02							20 ~ 28	
DGA-20.A03							5 ~ 10.9	



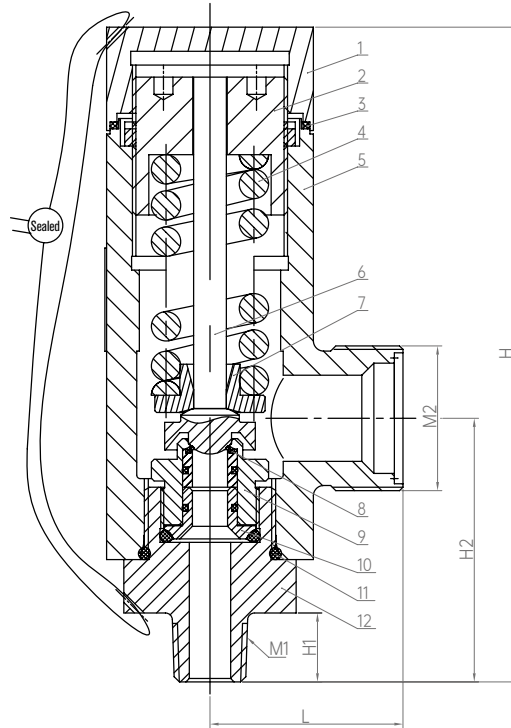
High Pressure Safety Valve

Parameters

PN: 42MPa
DN: Ø15
Design Temp.: -32°C ~+80°C
Media: CNG



This kind of product has certified by CE, EAC, TS and CCS
Standards: GB/T 12243, TR CU 032/2013



Materials

1	Cover	CF8	5	Body	CF8	9	Valve Seat	S51740
2	Adjusting Nut	HPb59-1	6	Disc	S51740	10	Support seat	S30408
3	Gasket	PTFE	7	Spring Seat	S51740	11	O Ring	HNBR
4	Spring	S30210	8	Gasket	HNBR	12	Adaptor	S31608

Model No.	Specifications & Dimensions (mm)							Pressure Adjusting Range (MPa)	Weight(kg)
	H	H1	H2	D0	L	M1	M2		
QGA-15	190	20	76.5	Ø12	56	NPT1/2	M42×2	17 ~ 37	
QGA-15.A01								10 ~ 16.9	



Shanghai Baitu
Cryogenic Valve.Co.,Ltd.

Cryogenic Valve Solutions
Worth Your Trust



Add: Building 5, No.428, Changhong Road, Baoshan District, Shanghai, China

E-mail: sales@baituvalves.com

Website: www.baituvalves.com