

BAITU CRYOGENIC VALVE

Cryogenic Transportation &
Storage Equipment/
LNG Filling Station



Cryogenic Valve Solutions
Worth Your Trust



Shanghai Baitu
Cryogenic Valve.Co.,Ltd.

www.baituvalves.com



Cryogenic Regulator

www.baituvalves.com

BAITU CRYOGENIC VALVE





Product Contents

Cryogenic Regulator

DYS-15A~DYS-15A1	117
DYS-15B~DYS-15B2	118
DYS-20~DYS-20A1	119
DYS-20 (01	120
DYS-20B1~DYS-20D1	121
DYS-20.99.01~DYS-20.99.02	122
DYZ-20A~DYZ-20A1	123
DYS-25~DYS-25A2	124
DYS-25B1~DYS-25B2	125
DYS-40~DYS-40A4	126
DYS-40F~DYS-40F2	127
DYS-50~DYS-50A	128
DYS-50C~DYS-50C1	129
DYS-50F	130
TZ-15.99.01~TZ-15.99.03	131
TZ-25.99.01~TZ-25.99.03	132
TS-15~TS-15A1	133



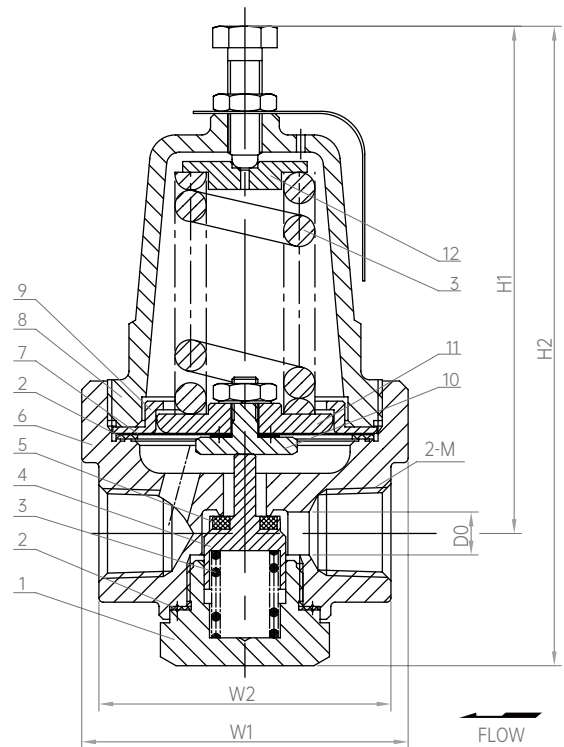
Cryogenic Regulator

Parameters

PN: 4.0MPa
DN: Ø15
Design Temp.: -196°C ~+80°C
Media: LNG, LO₂, LN₂, LAr, CO₂



This kind of product has certified by CE,EAC,TS and CCS
This regulator is used for pressure buildup of cryogenic vessels
Standards: GB/T 24925, EN1626:2008, TR CU 032/2013



Materials

1	Lower Cover	HPb59-1	5	Gasket	PTFE+MoS2	9	Gland Ring	H62
2	Gasket	RPTFE	6	Body	HPb59-1	10	Top Cover	S30408
3	Spring	S30210	7	Diaphragm	QSn6.5-0.1	11	Plate	HPb59-1
4	Disc	S30408	8	Bonnet	HPb59-1	12	Block	HPb59-1

Model No.	Specifications & Dimensions (mm)					Pressure Adjusting Range (MPa)	Weight(kg)
	H1	H2	W1	W2	M		
DYS-15A	110	141	Ø76	68	Rc1/2	0.2 ~ 1.6	1.6
DYS-15A1	110	141	Ø76	68	Rc1/2	1.6 ~ 3.0	1.7



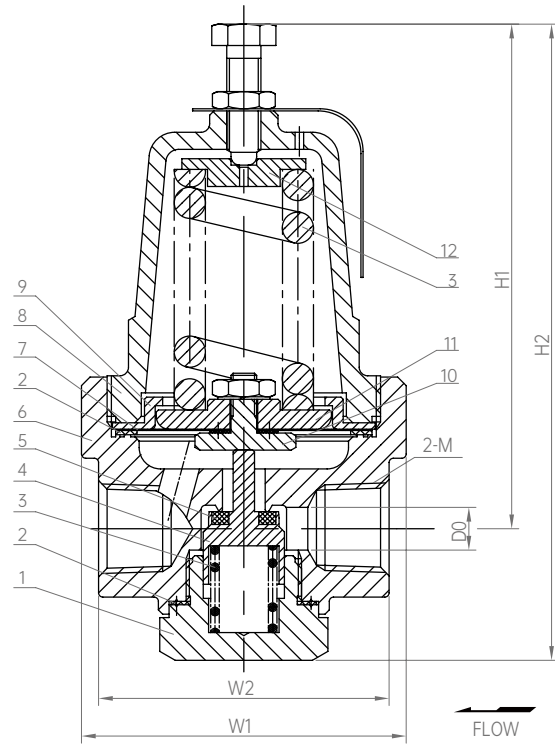
Cryogenic Regulator

Parameters

PN: 4.0MPa
DN: Ø15
Design Temp.: -196°C ~+80°C
Media: LNG, LO₂, LN₂, LAr, CO₂



This kind of product has certified by CE,EAC,TS and CCS
This regulator is used for pressure buildup of cryogenic vessels
Standards: GB/T 24925, EN1626:2008, TR CU 032/2013



Materials

1	Lower Cover	HPb59-1	5	Gasket	PTFE+MoS2	9	Gland Ring	H62
2	Gasket	RPTFE	6	Body	HPb59-1	10	Top Cover	S30408
3	Spring	S30210	7	Diaphragm	QSn6.5-0.1	11	Plate	HPb59-1
4	Disc	S30408	8	Bonnet	HPb59-1	12	Block	HPb59-1

Model No.	Specifications & Dimensions (mm)						Pressure Adjusting Range (MPa)	Weight(kg)
	H1	H2	W1	W2	D0	M		
DYS-15B	110	141	Ø76	68	Ø10	NPT 1/2	0.2 ~ 1.6	1.6
DYS-15B1	113	144	Ø76	68	Ø10	NPT 1/2	1.6 ~ 3.0	1.7
DYS-15B2	113	144	Ø76	68	Ø10	NPT 1/2	3.0 ~ 3.5	1.7

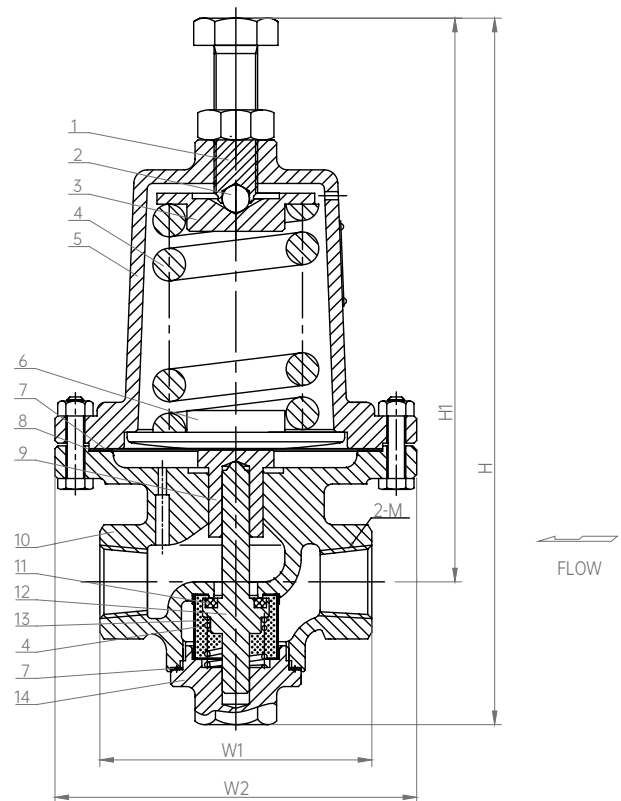
Cryogenic Regulator

Parameters

PN: 4.0MPa
DN: Ø20
Design Temp.: -196°C ~+80°C
Media: LNG. LO₂. LN₂. LAr. CO₂



This kind of product has certified by CE,EAC,TS and CCS
This regulator is used for pressure buildup of cryogenic vessels
Standards: GB/T 24925, EN1626:2008, TR CU 032/2013



Materials

1	Adjusting Screw	S30408	6	Gland Pad	S30408	11	Gasket	PTFE+MoS2
2	Ball	S30408	7	Diaphragm	QSn6.5-0.1	12	Disc	HPb59-1
3	Spring Pad	S30408	8	Gasket	RPTFE	13	Filter	S30408
4	Spring	S30210	9	Positioning Sleeve	HPb59-1	14	Bottom Bonnet	CF8
5	Bonnet	CF8	10	Body	CF8			

Model No.	Specifications & Dimensions (mm)					Pressure Adjusting Range (MPa)	Weight(kg)
	H1	H2	W1	W2	M		
DYS-20	207	259.5	100	Ø133	Rc 3/4	0.2 ~ 1.8	5.3
DYS-20A1	207	259.5	100	Ø133	Rc 3/4	0.81 ~ 2.1	5.3



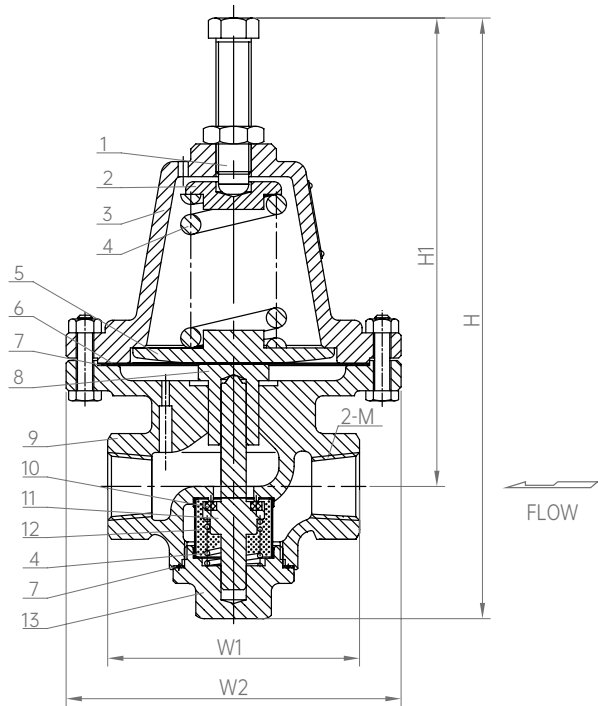
Cryogenic Regulator

Parameters

PN: 4.0MPa
DN: Ø20
Design Temp.: -196°C ~+80°C
Media: LNG. LO₂. LN₂. LAr. CO₂



This kind of product has certified by CE,EAC,TS and CCS
This regulator is used for pressure buildup of cryogenic vessels
Standards: GB/T 24925, EN1626:2008, TR CU 032/2013



Materials

1	Adjusting Screw	HPb59-1	6	Diaphragm	QSn6.5-0.1	11	Disc	HPb59-1
2	Spring Upper Pad	HPb59-1	7	Gasket	RPTFE	12	Filter	S30408
3	Bonnet	CF8	8	Positioning Sleeve	HPb59-1	13	Bottom Bonnet	CF8
4	Spring	S30210	9	Body	CF8			
5	Gland Pad	HPb59-1	10	Gasket	PTFE+MoS2			

Model No.	Specifications & Dimensions (mm)					Pressure Adjusting Range (MPa)	Weight(kg)
	H1	H2	W1	W2	M		
DYS-20 (01)	203	255	100	Ø133	Rc 3/4	0.2 ~ 0.8	4.5

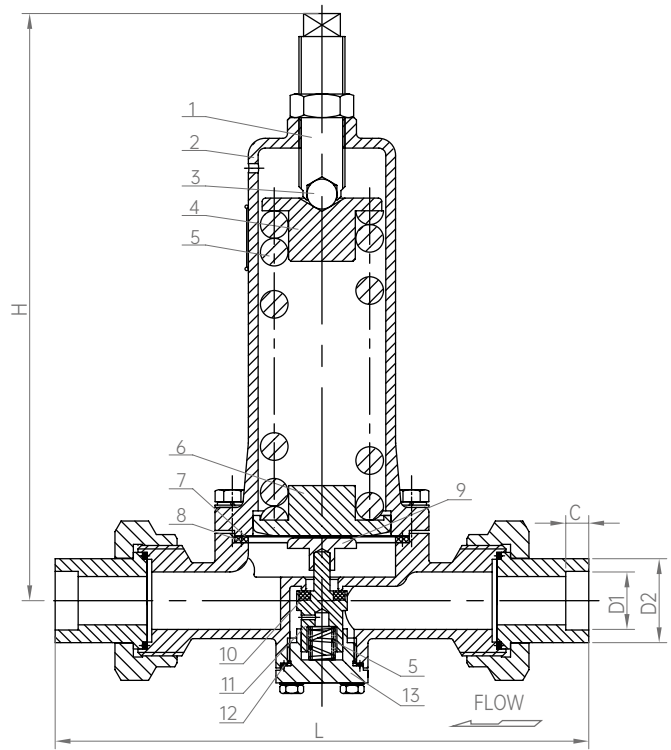
Cryogenic Regulator

Parameters

PN: 4.0MPa
DN: Ø20
Design Temp.: -196°C ~+80°C
Media: LNG, LO₂, LN₂, LAr, CO₂



This kind of product has certified by CE, EAC, TS and CCS
This regulator is used for pressure buildup of cryogenic vessels
Standards: GB/T 24925, EN1626:2008, TR CU 032/2013



Materials

1	Adjusting Screw	S30408	6	Gland Pad	S30408	11	Disc	S30408
2	Bonnet	CF8	7	Diaphragm	QSn6.5-0.1	12	Gasket	RPTFE
3	Ball	S30408	8	Gasket	PTFE	13	Bottom Bonnet	S30408
4	Spring Pad	S30408	9	Gland	S30408			
5	Spring	S30210	10	Gasket	PTFE+MoS2			

Model No.	Specifications & Dimensions (mm)						Pressure Adjusting Range (MPa)	Weight(kg)
	L	H	D0	D1	D2	C		
DYS-20B1	232	260	Ø20	Ø25.5	Ø36.5	10	1.6 ~ 3.5	
DYS-20D1	232	260	Ø20	Ø27	Ø36.5	10	1.6 ~ 3.5	



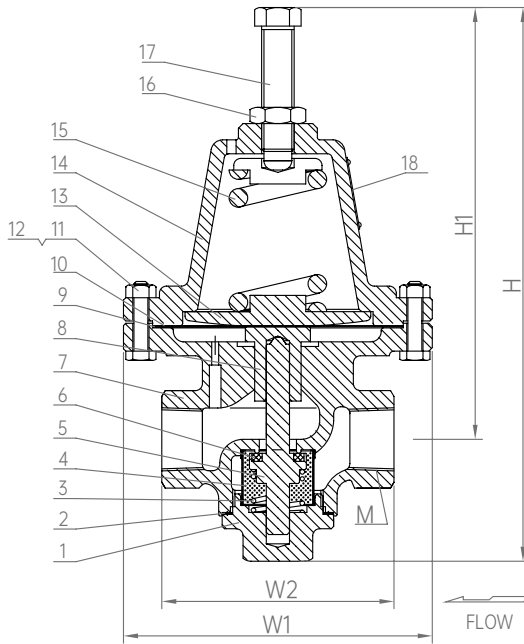
Cryogenic Regulator

Parameters

PN: 4.0MPa
DN: Ø20
Design Temp.: -196°C ~+80°C
Media: LNG, LO₂, LN₂, LAr, CO₂



This kind of product has certified by CE, EAC, TS and CCS
This regulator is used for pressure buildup of cryogenic vessels
Standards: GB/T 24925, EN1626:2008, TR CU 032/2013



Materials

1	Lower Body	C36000	7	Body	B62	13	Gland Pad	C36000
2	Gasket	D#9000	8	Positioning Sleeve	C36000	14	Bonnet	B62
3	Lower Spring	C51900	9	Upper Gasket	PTFE	15	Upper Spring	S30210
4	Brass Filter	150meshes or Monel Filter 1000 meshes	10	Diaphragm	QSn6.5-0.1	16	Nut	S30408
5	Disc	C36000	11	Hexagon Screw	S30408	17	Adjusting Screw	S30408
6	Gasket	PTFE+MoS2	12	Nut	S30408	18	Name Plate	1200

Remarks: **DYS-20.99.xx**



Model No.	Specifications & Dimensions (mm)					Nominal pressure (Mpa)	Pressure Adjusting Range(Mpa)	Weight(kg)
	H	H1	W1	W2	M			
DYS-20.99.01	239	192	133	100	NPT3/4	PN=4.0	P2=0.2~0.8	
DYS-20.99.02	255	203	133	100	NPT3/4	PN=4.0	P2=0.8~1.8	

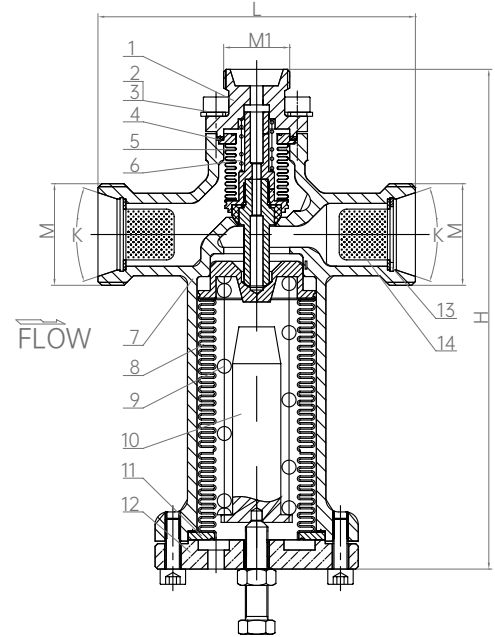
Pressure Regulator

Parameters

PN: 4.0MPa
DN: Ø20
Design Temp.: -196°C ~+85°C
Media: LNG. LO₂. LN₂. LAr. CO₂



This kind of product has certified by CE,EAC,TS and CCS
This regulator is used for pressure buildup of cryogenic vessels
Standards: GB/T 24925, GB/T 34530.1, TR CU 032/2013



Materials

1	Flange	S30408	7	Spring block	S30408
2	Closing Spring	S30210	8	Set point Springs	S30210
3	Sealing gasket	PTFE	9	Operating bellows	S31608
4	Operating bellows	S31608	10	Sealing gasket	D#9000
5	Filter	H90	11	Body cover	HPb59-1
6	Valve body	S30408			

Model No.	Specifications & Dimensions (mm)					Pressure Adjusting Range(Mpa)	Weight(kg)
	H	L	M	M1	K		
DYZ-20A	203±3	125±1.5	M40×2	M26×1.5	37°	P2=0.8~1.6	2.9
DYZ-20A1	203±3	125±1.5	M40×2	M26×1.5	37°	P2=1.61~2.6	2.9



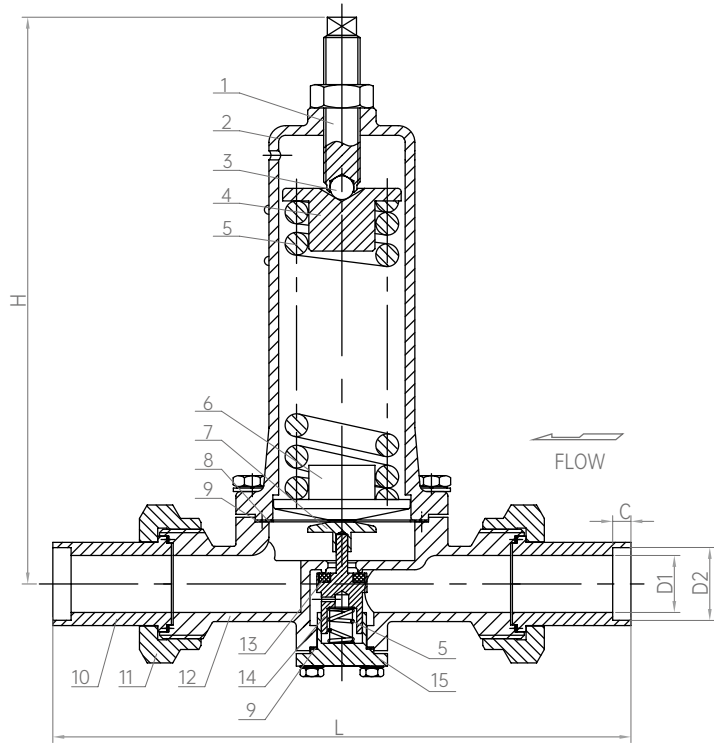
Cryogenic Regulator

Parameters

PN: 4.0MPa
DN: Ø25
Design Temp.: -196°C ~+80°C
Media: LNG, LO₂, LN₂, LAr, CO₂



This kind of product has certified by CE, EAC, TS and CCS
This regulator is used for pressure buildup of cryogenic vessels
Standards: GB/T 24925, EN1626:2008, TR CU 032/2013



Materials

1	Adjusting Screw	HPb59-1	6	Gland Pad	S30408	11	Nut	HPb59-1
2	Bonnet	CF8	7	Gland	S30408	12	Body	CF8
3	Ball	S30408	8	Diaphragm	QSn6.5-0.1	13	Gasket	PTFE+MoS2
4	Spring Pad	S30408	9	Gasket	RPTFE	14	Disc	S30408
5	Spring	S30210	10	pipe	S30408	15	Bottom Bonnet	S30408

Model No.	Specifications & Dimensions (mm)						Pressure Adjusting Range (MPa)	Weight(kg)
	H	L	D0	D1	D2	C		
DYS-25	256	270	Ø25	Ø32.5	Ø36.5	10	0.2 ~ 0.8	5.7
DYS-25A1	256	270	Ø25	Ø32.5	Ø36.5	10	1.6 ~ 3.5	5.8
DYS-25A2	256	270	Ø25	Ø32.5	Ø36.5	10	0.8 ~ 1.6	5.3

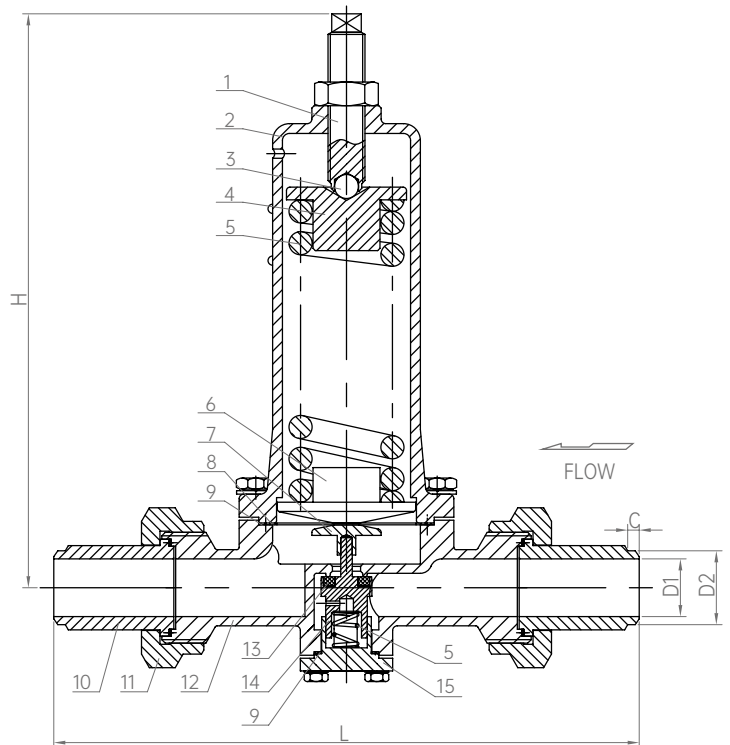
Cryogenic Regulator

Parameters

PN: 4.0MPa
DN: Ø25
Design Temp.: -196°C ~+80°C
Media: LNG, LO₂, LN₂, LAr, CO₂



This kind of product has certified by CE, EAC, TS and CCS
This regulator is used for pressure buildup of cryogenic vessels
Standards: GB/T 24925, EN1626:2008, TR CU 032/2013



Materials

1	Adjusting Screw	HPb59-1	6	Gland Pad	S30408	11	Nut	HPb59-1
2	Bonnet	CF8	7	Gland	S30408	12	Body	CF8
3	Ball	S30408	8	Diaphragm	QSn6.5-0.1	13	Gasket	PTFE+MoS2
4	Spring Pad	S30408	9	Gasket	RPTFE	14	Disc	S30408
5	Spring	S30210	10	Pipe	S30408	15	Bottom Bonnet	S30408

Model No.	Specifications & Dimensions (mm)						Pressure Adjusting Range (MPa)	Weight(kg)
	L	H	D0	D1	D2	C		
DYS-25B1	256	254	Ø25	Ø25	Ø32	5	0.2 ~ 0.8	5.8
DYS-25B2	256	254	Ø25	Ø25	Ø32	5	0.8 ~ 1.6	5.3



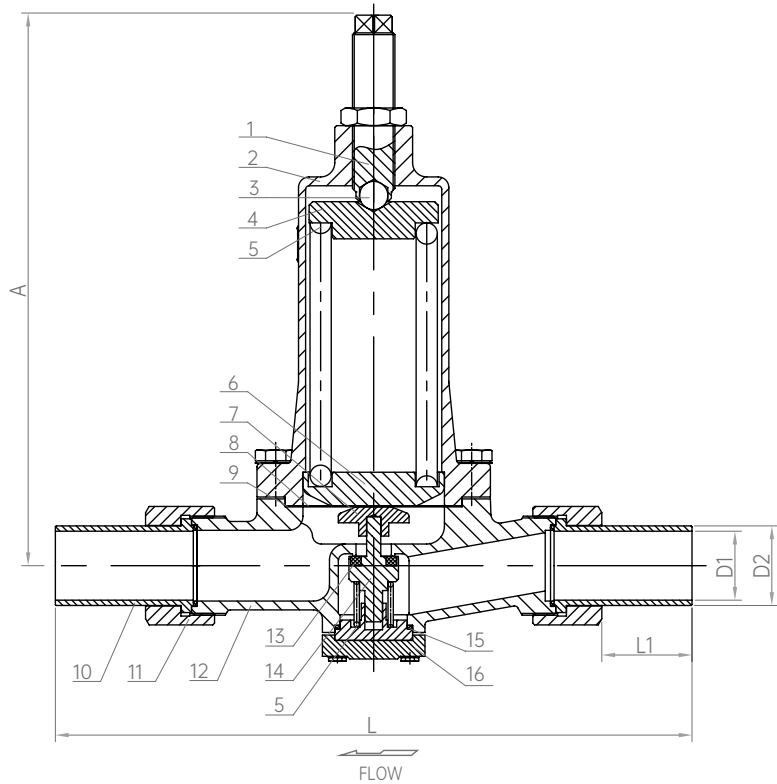
Cryogenic Regulator

Parameters

PN: 4.0MPa
DN: Ø40
Design Temp.: -196°C ~+80°C
Media: LNG, LO₂, LN₂, LAr, CO₂



This kind of product has certified by CE, EAC, TS and CCS
This regulator is used for pressure buildup of cryogenic vessels
Standards: GB/T 24925, EN1626:2008, TR CU 032/2013



Materials

1	Adjusting Screw	S31608	7	Gland	S30408	13	Gasket	PTFE+MoS2
2	Bonnet	CF8	8	Diaphragm	S30408	14	Disc	S30408
3	Ball	9Cr18	9	Gasket	RPTFE	15	Gasket	PTFE
4	Upper Gland Pad	S30408	10	Pipe	S30408	16	Bottom Bonnet	S30408
5	Spring	S30210	11	Nut	HPb59-1			
6	Bottom Gland Pad	S30408	12	Body	CF8			

Model No.	Specifications & Dimensions (mm)						Pressure Adjusting Range (MPa)	Weight(kg)
	H	L	D0	D1	D2	C		
DYS-40	311	308	51	Ø40	Ø39	Ø45	0.2 ~ 0.8	11.1
DYS-40A1	311	308	51	Ø40	Ø39	Ø45	0.8 ~ 1.6	11.1
DYS-40A3	311	308	51	Ø40	Ø39	Ø45	1.6 ~ 2.0	11.1
DYS-40A4	311	308	51	Ø40	Ø39	Ø45	2.0 ~ 3.2	11.1

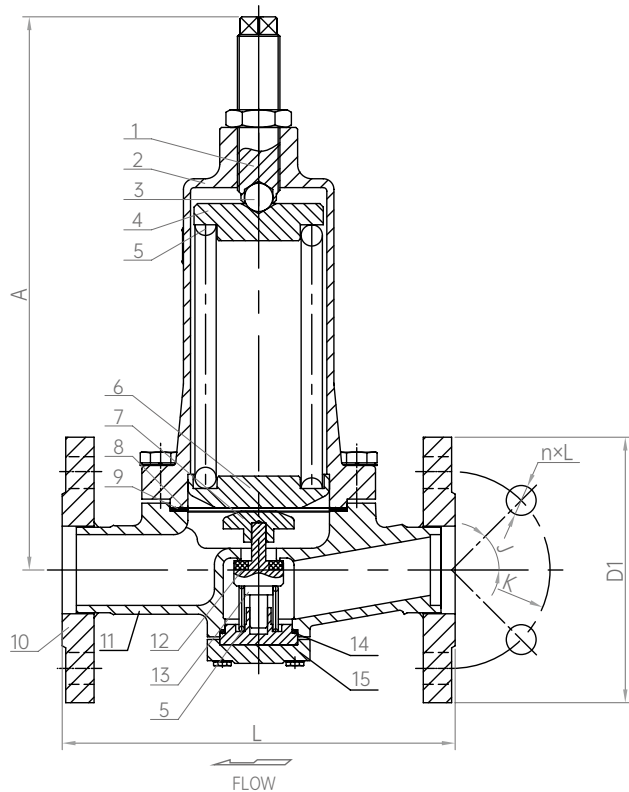
Cryogenic Regulator

Parameters

PN: 4.0MPa
DN: Ø40
Design Temp.: -196°C ~+80°C
Media: LNG, LO₂, LN₂, LAr, CO₂



This kind of product has certified by CE, EAC, TS and CCS
This regulator is used for pressure buildup of cryogenic vessels
Standards: GB/T 24925, EN1626:2008, TR CU 032/2013



Materials

1	Adjusting Screw	S31608	6	Bottom Gland Pad	S30408	11	Body	CF8
2	Bonnet	CF8	7	Gland	S30408	12	Gasket	PTFE+MoS2
3	Ball	9Cr18	8	Diaphragm	S30408	13	Disc	S30408
4	Upper Gland Pad	S30408	9	Gasket	RPTFE	14	Gasket	PTFE
5	Spring	S30210	10	Flange	S30408	15	Bottom Bonnet	S30408

Model No.	Specifications & Dimensions (mm)								Pressure Adjusting Range (MPa)	Weight(kg)
	H	L	D0	D1	K	n	L	J		
DYS-40F	311	222	Ø40	Ø150	Ø110	4	Ø18	45°	0.2 ~ 0.8	
DYS-40F2	311	222	Ø40	Ø150	Ø110	4	Ø18	45°	1.0 ~ 2.2	



Cryogenic Regulator

Parameters

PN: 4.0MPa

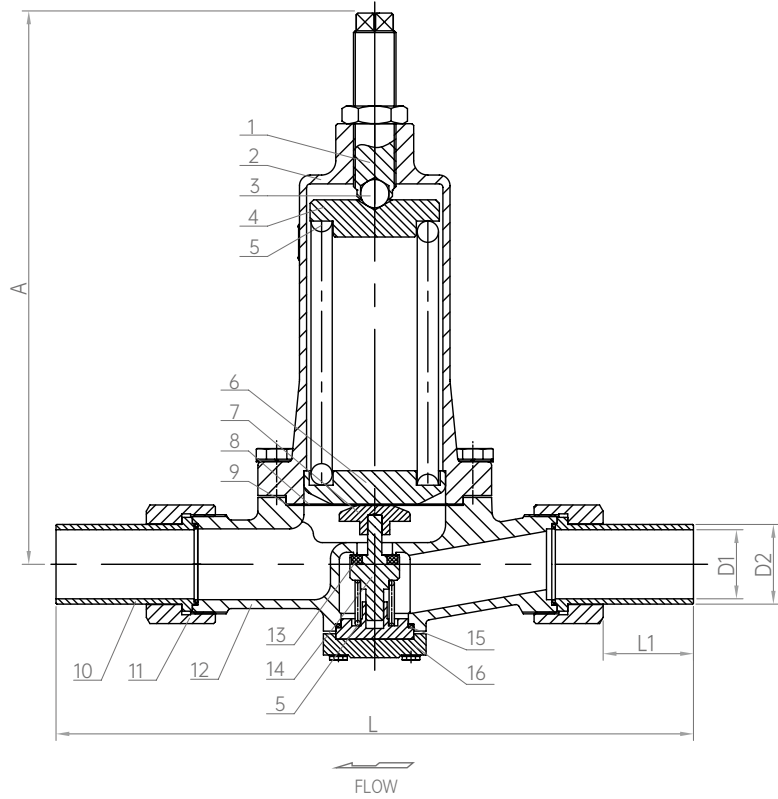
DN: Ø50

Design Temp.: -196°C ~+80°C

Media: LNG, LO₂, LN₂, LAr, CO₂



This kind of product has certified by CE, EAC, TS and CCS
This regulator is used for pressure buildup of cryogenic vessels
Standards: GB/T 24925, EN1626:2008, TR CU 032/2013



Materials

1	Adjusting Screw	S31608	7	Gland	S30408	13	Gasket	PTFE+MoS2
2	Bonnet	CF8	8	Diaphragm	S30408	14	Disc	S30408
3	Ball	9Cr18	9	Gasket	RPTFE	15	Gasket	PTFE
4	Upper Gland Pad	S30408	10	Pipe	S30408	16	Bottom Bonnet	S30408
5	Spring	S30210	11	Nut	HPb59-1			
6	Bottom Gland Pad	S30408	12	Body	CF8			

Model No.	Specifications & Dimensions (mm)						Pressure Adjusting Range (MPa)	Weight(kg)
	H	L	L1	D0	D1	D2		
DYS-50	311	312	26	Ø50	Ø49	Ø57	0.2 ~ 0.8	11.8
DYS-50A	311	312	26	Ø50	Ø49	Ø57	0.8 ~ 1.6	11.8

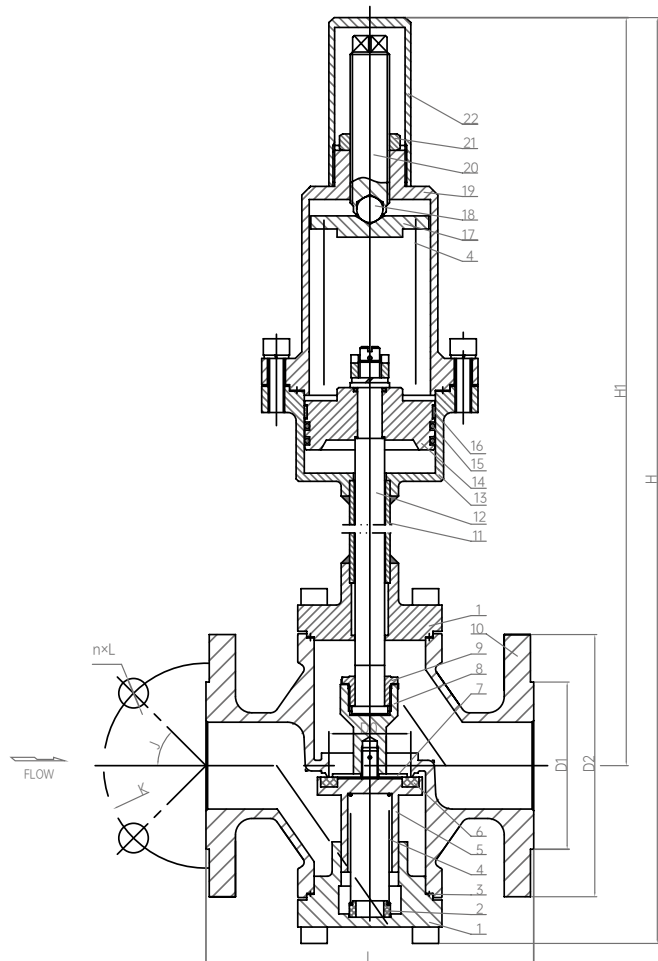
Cryogenic Regulator

Parameters

PN: 4.0MPa
DN: Ø50
Design Temp.: -196°C ~+80°C
Media: LNG, LO₂, LN₂, LAr, CO₂



This kind of product has certified by CE,EAC,TS and CCS
This regulator is used for pressure buildup of cryogenic vessels
Standards: GB/T 24925, EN1626:2008, TR CU 032/2013



Materials

1	Bonnet	CF8	9	Connecting Nut	S30408	17	Spring Pad	S30408
2	Spring Seat	PTFE	10	Body	CF8	18	Ball	9Cr18
3	Sealing	RPTFE	11	Connecting Pipe	S30408	19	Cylinder Cover	S30408
4	Spring	S30210	12	Stem	S30408	20	Adjusting Screw	HPb59-1
5	Disc	S30408	13	Cylinder	S30408	21	Hexagon Nut	HPb59-1
6	Seat Sealing	PTFE	14	Piston	6061	22	Dust Cover	S30408
7	Gasket	S30408	15	O Ring	NBR			
8	Disc Nut	S30408	16	Pilot Ring	PTFE			

Model No.	Specifications & Dimensions (mm)										Pressure Adjusting Range (MPa)	Weight(kg)
	H	H1	L	D0	D1	D2	K	n	L	J		
DYS-50C	565	456.5	200	Ø50	Ø102	Ø160	Ø125	4	Ø18	45°	0.4 ~ 1.0	
DYS-50C1	565	456.5	200	Ø50	Ø102	Ø160	Ø125	4	Ø18	45°	1.01 ~ 2.0	



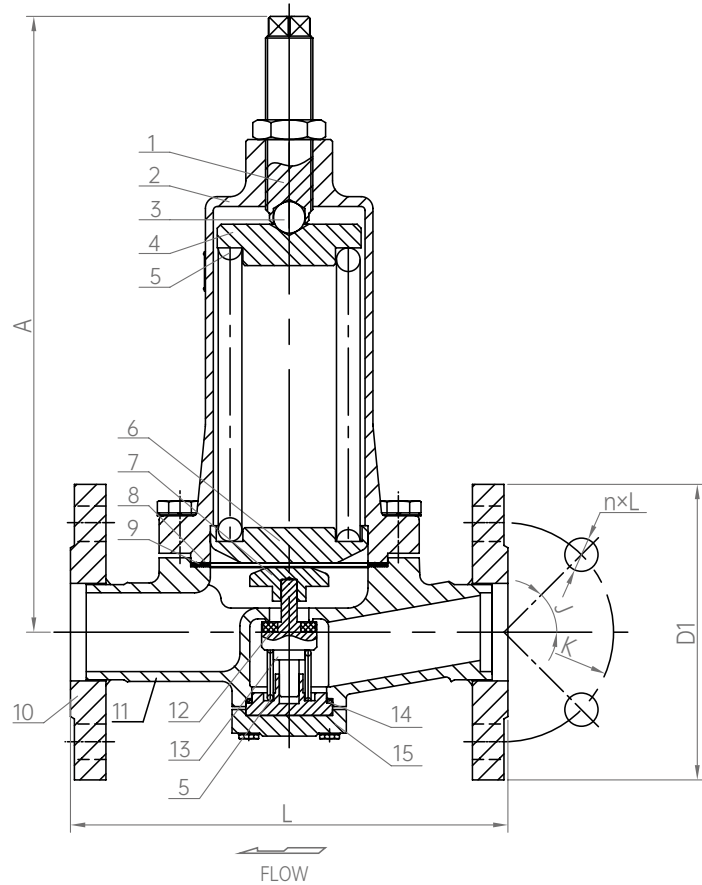
Cryogenic Regulator

Parameters

PN: 4.0MPa
DN: Ø50
Design Temp.: -196°C ~+80°C
Media: LNG, LO₂, LN₂, LAr, CO₂



This kind of product has certified by CE, EAC, TS and CCS
This regulator is used for pressure buildup of cryogenic vessels
Standards: GB/T 24925, EN1626:2008, TR CU 032/2013



Materials

1	Adjusting Screw	S31608	6	Bottom Gland Pad	S30408	11	Body	CF8
2	Bonnet	CF8	7	Gland	S30408	12	Gasket	PTFE+MoS2
3	Ball	9Cr18	8	Diaphragm	S30408	13	Disc	S30408
4	Upper Gland Pad	S30408	9	Gasket	RPTFE	14	O Ring	PTFE
5	Spring	S30210	10	Flange	S30408	15	Bottom Bonnet	S30408

Model No.	Specifications & Dimensions (mm)								Pressure Adjusting Range (MPa)	Weight(kg)
	H	L	D0	D1	K	n	L	J		
DYS-50F	311	224	Ø50	Ø165	Ø125	4	Ø18	45°	0.2 ~ 0.8	

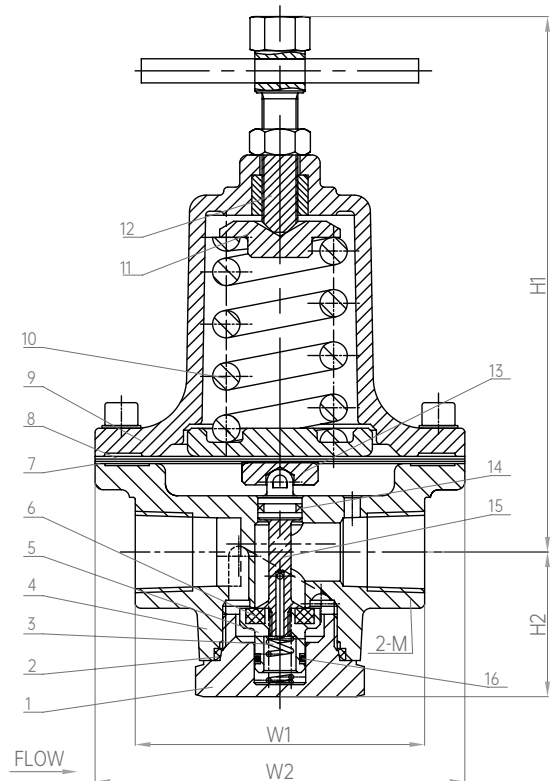
Cryogenic Regulator

Parameters

DN: Ø15
Design Temp.: -40°C ~+85°C
Media: NG, O₂, N₂, Ar



This kind of product has certified by EAC
Standards: TR CU 032/2013



Materials

1	Plug screw	C36000	7	Thin diaphragm	PTFE	13	Cushion Block	C36000
2	Washer	PTFE	8	Diaphragm	QSn6.5-0.1	14	Washer	PTFE
3	Small Spring	S30210	9	Bonnet	C37700	15	Ejector Bar	C36000
4	Body	C37700	10	Big Spring	S30210	16	O Ring	FKM
5	Disc	C36000	11	Spring Pad	S30408			
6	Gasket	FKM	12	Adjusting Screw	S30408			

Remarks: TZ-15.99.01 The material of diaphragm is FKM.

Model No.	Specifications & Dimensions (mm)						Nominal pressure(Mpa)	Pressure Adjusting Range(Mpa)	Weight(kg)
	H1	H2	W1	W2	M	Cv			
TZ-15.99.01	134	35	72	Ø92	NPT1/2	3.1	PN=4.0	P2=0.35~1.4	1.9
TZ-15.99.02	134	35	72	Ø92	NPT1/2	3.1	PN=4.0	P2=1.41~2.0	1.9
TZ-15.99.03	134	35	72	Ø92	NPT1/2	3.1	PN=4.0	P2=2.01~3.0	2.0



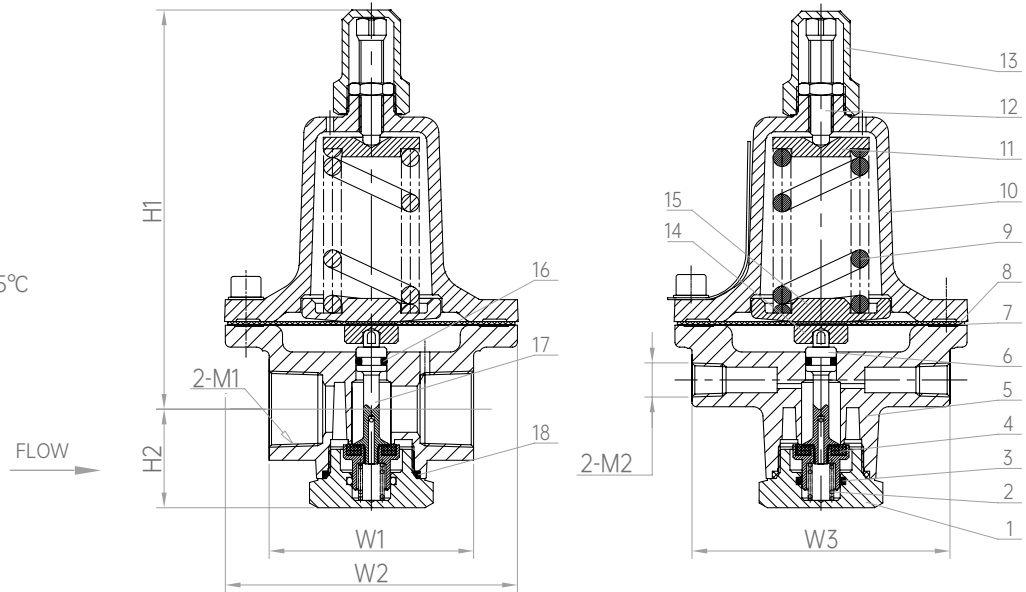
Cryogenic Regulator

Parameters

DN: Ø25
Design Temp.: -40°C ~+85°C
Media: NG, O₂, N₂, Ar



This kind of product has certified by EAC
Standards: TR CU 032/2013



Materials

1	Plug Screw	C36000	7	Thin Diaphragm	PTFE	13	Cover	C36000
2	Small Spring	S30210	8	Diaphragm	QSn6.5-0.1	14	Gland	C36000
3	O Ring	FKM	9	Spring	S30210	15	Spring bottom pad	C36000
4	Gasket	FKM	10	Bonnet	C37700	16	Washer	PTFE
5	Body	C37700	11	Spring Pad	C36000	17	Ejector Bar	C36000
6	Ejector Bar	C36000	12	Adjusting Screw	S30408	18	Washer	PTFE

Remarks: TZ-25.99.01 The material of diaphragm is FKM.

Model No.	Specifications & Dimensions (mm)								Nominal pressure(Mpa)	Pressure Adjusting Range(Mpa)	Weight(kg)
	H1	H2	W1	W2	W3	M1	M2	Cv			
TZ-25.99.01	164	40.5	84	Ø120	106	NPT 1	NPT1/4	5.5	PN=4.0	P2=0.35~1.4	3.7
TZ-25.99.02	164	40.5	84	Ø120	106	NPT 1	NPT1/4	5.5	PN=4.0	P2=1.41~2.0	3.7
TZ-25.99.03	164	40.5	84	Ø120	106	NPT 1	NPT1/4	5.5	PN=4.0	P2=2.01~3.0	3.7

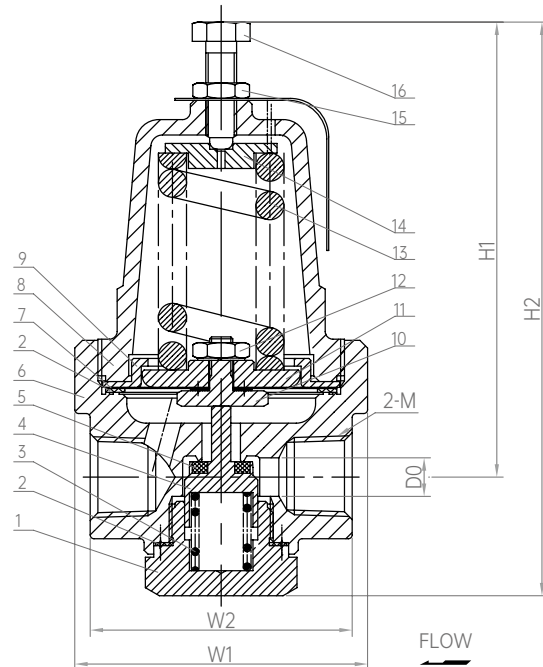
Cryogenic Regulator

Parameters

PN: 4.0MPa
DN: Ø15
Design Temp.: -196°C ~+85°C
Media: LNG. LO₂. LN₂. LAr. CO₂



This kind of product has certified by CE, EAC, TS and CCS
Standards: GB/T 24925, EN1626:2008, TR CU 032/2013



Materials

1	Lower Cover	C36000	7	Diaphragm	QSn6.5-0.1	13	Spring	S30210
2	Gasket	D#9000	8	Bonnet	C37700	14	Block	C36000
3	Lower Cover	S30210	9	Gland Ring	H62	15	Nut	S30408
4	Disc	C36000	10	Top Cover	C36000	16	Adjusting Screw	S30408
5	Gasket	PTFE+MoS2	11	Plate	C36000			
6	Body	C37700	12	Nut	S30408			

Model No.	Specifications & Dimensions (mm)							Pressure Adjusting Range (Mpa)	Weight(kg)
	H1	H2	W1	W2	M	D0	Cv		
TS-15	113	144	Ø76	68	NPT1/2	Ø10	3.2	P2=0.2~1.6	1.7
TS-15A	113	144	Ø76	68	NPT1/2	Ø10	3.2	P2=1.6~3.0	1.7
TS-15A1	113	144	Ø76	68	NPT1/2	Ø10	3.2	P2=3.0~3.5	1.7



Shanghai Baitu
Cryogenic Valve.Co.,Ltd.

Cryogenic Valve Solutions
Worth Your Trust



Add: Building 5, No.428, Changhong Road, Baoshan District, Shanghai, China

E-mail: sales@baituvalves.com

Website: www.baituvalves.com