

BAITU CRYOGENIC VALVE

Cryogenic Transportation &
Storage Equipment/
LNG Filling Station



Cryogenic Valve Solutions
Worth Your Trust



Shanghai Baitu
Cryogenic Valve.Co.,Ltd.

www.baituvalves.com

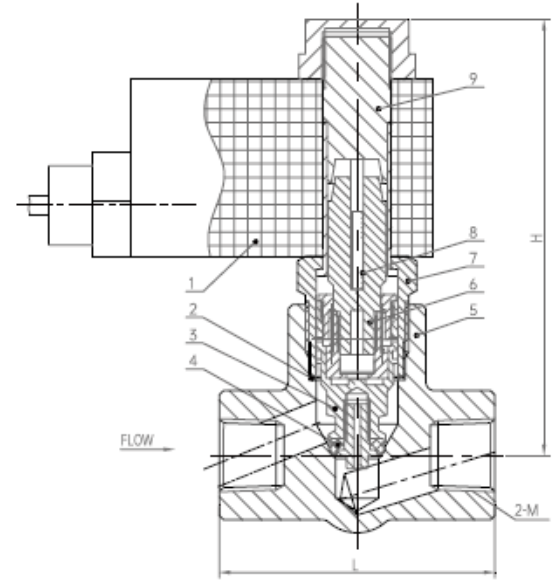




Other Valves

| | | |
|---------------------------------|------------------------|----------|
| Cryogenic Solenoid Valve | DDC-10B | 1 |
| Pressure Regulators | TZ-15 | 2 |
| | TZ-25 | 3 |
| Flame Arrester | DGZ-25~DGZ-50 | 4 |
| | DGZ-25A~DGZ-50A | 5 |
| | DGZ-50B | 6 |

Cryogenic Solenoid Valve



This kind of product has certified by TS
Standards: GB/T 25925

Parameters

PN: 4.0MPa
DN: Ø10
Design Temp.: -196°C ~+85°C
Media: LNG, LO₂, LN₂, LAr, CO₂

Materials

| | | | | | |
|---|--------|---------|---|-------------|--------|
| 1 | Coil | | 6 | Moving Core | JL-31B |
| 2 | Gasket | T2 | 7 | Gland Nut | S30408 |
| 3 | Disc | JL-31B | 8 | Spring | S30210 |
| 4 | Gasket | PTFE | 9 | Static Core | JL-31B |
| 5 | Body | HPb59-1 | | | |

| | | | |
|-----------------------|------------------|-----------------------------|----------------|
| Mode of Action | Piloted Type | Opening Pressure Difference | 0~3.5MPa |
| Control Mode | Normally Closed | DN | Ø10mm |
| Operation Mode | 2-position 2-way | Design Temp | -196°C ~ +85°C |
| Operation Voltage | DC 18V~DC 32V | Media | LNG |
| Insulation Resistance | ≥10MΩ | Material of Valve Body | HPb59-1 |
| Lifetime | ≥50,000 times | Material of Valve Disc | HPb59-1 |
| Protection Level | IP65 | Material of Spring | S30210 |
| Power of Coil | 18W | Material of Sealing | PTFE |

| Model No. | Specifications & Dimensions (mm) | | | |
|-------------|----------------------------------|------|-----|---------|
| | H | L | D0 | M |
| DDC-10B.001 | 101 | 63.5 | Ø10 | NPT 3/8 |
| DDC-10B.002 | 101 | 63.5 | Ø10 | NPT 3/8 |
| DDC-10B.005 | | | | |

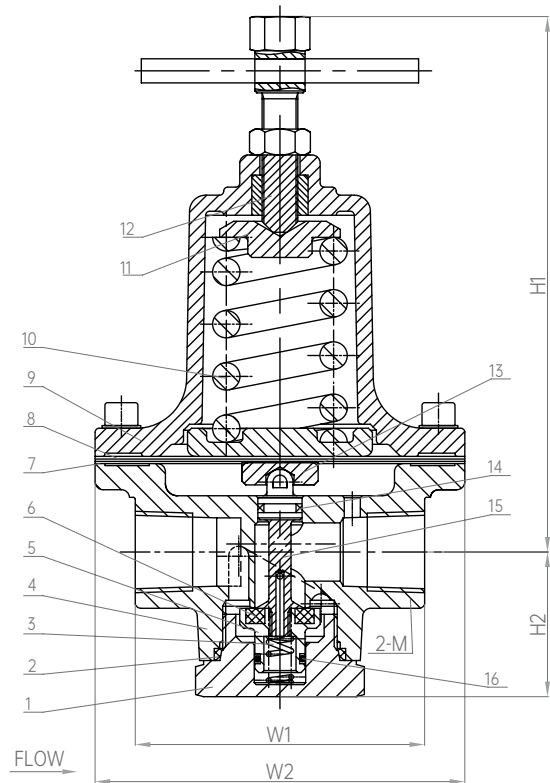
Cryogenic Regulator

Parameters

DN: Ø15
Design Temp.: -40°C ~+85°C
Media: NG, O₂, N₂, Ar



This kind of product has certified by EAC
Standards: TR CU 032/2013



Materials

| | | | | | | | | |
|---|--------------|--------|----|-----------------|------------|----|---------------|--------|
| 1 | Plug screw | C36000 | 7 | Thin diaphragm | PTFE | 13 | Cushion Block | C36000 |
| 2 | Washer | PTFE | 8 | Diaphragm | QSn6.5-0.1 | 14 | Washer | PTFE |
| 3 | Small Spring | S30210 | 9 | Bonnet | C37700 | 15 | Ejector Bar | C36000 |
| 4 | Body | C37700 | 10 | Big Spring | S30210 | 16 | O Ring | FKM |
| 5 | Disc | C36000 | 11 | Spring Pad | S30408 | | | |
| 6 | Gasket | FKM | 12 | Adjusting Screw | S30408 | | | |

Remarks: TZ-15.99.01 The material of diaphragm is FKM.

| Model No. | Specifications & Dimensions (mm) | | | | | | Nominal pressure(Mpa) | Pressure Adjusting Range(Mpa) | Weight(kg) |
|-------------|----------------------------------|----|----|-----|--------|-----|-----------------------|-------------------------------|------------|
| | H1 | H2 | W1 | W2 | M | Cv | | | |
| TZ-15.99.01 | 134 | 35 | 72 | Ø92 | NPT1/2 | 3.1 | PN=4.0 | P2=0.35~1.4 | 1.9 |
| TZ-15.99.02 | 134 | 35 | 72 | Ø92 | NPT1/2 | 3.1 | PN=4.0 | P2=1.41~2.0 | 1.9 |
| TZ-15.99.03 | 134 | 35 | 72 | Ø92 | NPT1/2 | 3.1 | PN=4.0 | P2=2.01~3.0 | 2.0 |



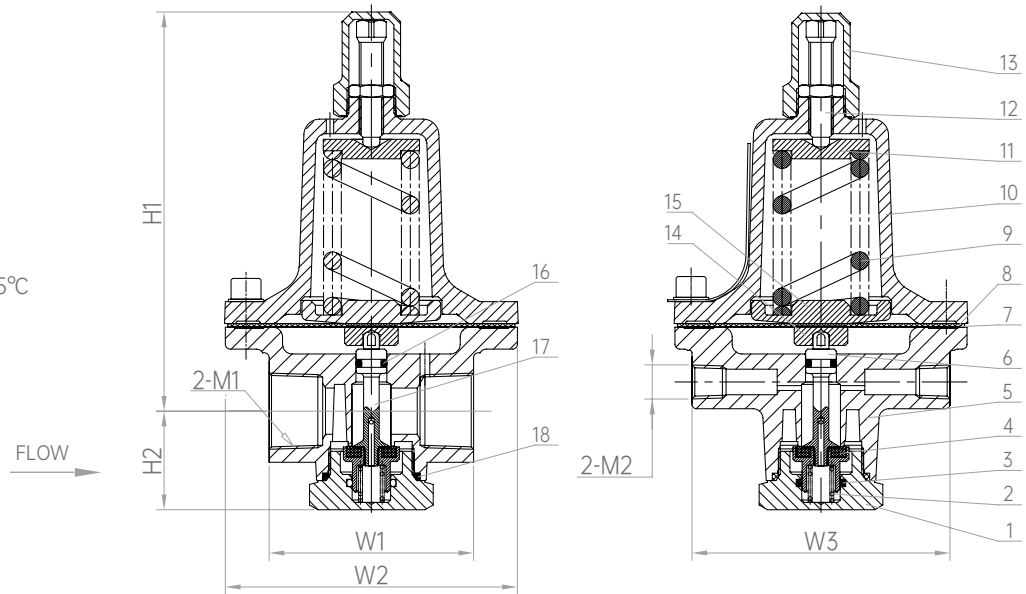
Cryogenic Regulator

Parameters

DN: Ø25
Design Temp.: -40°C ~+85°C
Media: NG, O₂, N₂, Ar



This kind of product has certified by EAC
Standards: TR CU 032/2013



Materials

| | | | | | | | | |
|---|--------------|--------|----|-----------------|------------|----|-------------------|--------|
| 1 | Plug Screw | C36000 | 7 | Thin Diaphragm | PTFE | 13 | Cover | C36000 |
| 2 | Small Spring | S30210 | 8 | Diaphragm | QSn6.5-0.1 | 14 | Gland | C36000 |
| 3 | O Ring | FKM | 9 | Spring | S30210 | 15 | Spring bottom pad | C36000 |
| 4 | Gasket | FKM | 10 | Bonnet | C37700 | 16 | Washer | PTFE |
| 5 | Body | C37700 | 11 | Spring Pad | C36000 | 17 | Ejector Bar | C36000 |
| 6 | Ejector Bar | C36000 | 12 | Adjusting Screw | S30408 | 18 | Washer | PTFE |

Remarks: TZ-25.99.01 The material of diaphragm is FKM.

| Model No. | Specifications & Dimensions (mm) | | | | | | | | Nominal pressure(Mpa) | Pressure Adjusting Range(Mpa) | Weight(kg) |
|-------------|----------------------------------|------|----|------|-----|-------|--------|-----|-----------------------|-------------------------------|------------|
| | H1 | H2 | W1 | W2 | W3 | M1 | M2 | Cv | | | |
| TZ-25.99.01 | 164 | 40.5 | 84 | Ø120 | 106 | NPT 1 | NPT1/4 | 5.5 | PN=4.0 | P2=0.35~1.4 | 3.7 |
| TZ-25.99.02 | 164 | 40.5 | 84 | Ø120 | 106 | NPT 1 | NPT1/4 | 5.5 | PN=4.0 | P2=1.41~2.0 | 3.7 |
| TZ-25.99.03 | 164 | 40.5 | 84 | Ø120 | 106 | NPT 1 | NPT1/4 | 5.5 | PN=4.0 | P2=2.01~3.0 | 3.7 |

Flame Arrester

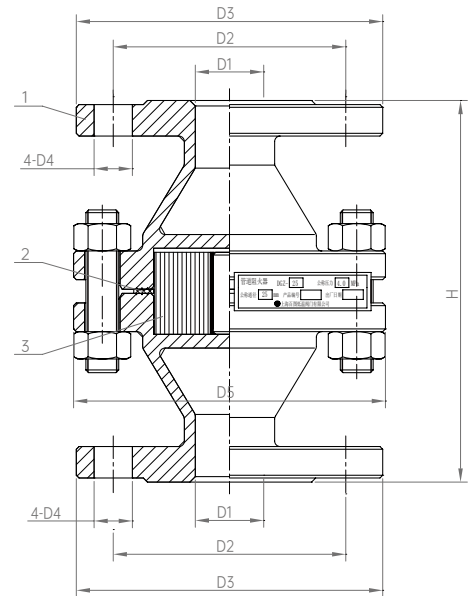
Parameters

Design Pressure: 4.0MPa
Working Pressure: 0.08MPa ~ 0.16MPa
DN: Ø25~Ø50
Design Temp.: -196°C ~+150°C
Media: LNG. CNG

Connection : Flange



Standards: GB/T 13347, TR CU 032/2013



Materials

| | | |
|---|------------------|--------|
| 1 | shell | CF8 |
| 2 | Gasket | PTFE |
| 3 | flame proof core | S30408 |

| Model No. | Specifications & Dimensions (mm) | | | | | | Weight(kg) |
|-----------|----------------------------------|-----|-----|----|-----|-------|------------|
| | D1 | D2 | D3 | D4 | D5 | H | |
| DGZ-25 | 25 | 85 | 112 | 14 | 114 | 139 | 3.9 |
| DGZ-40 | 40 | 110 | 148 | 18 | 142 | 171 | 5.2 |
| DGZ-50 | 50 | 125 | 165 | 18 | 172 | 178.5 | 6.2 |



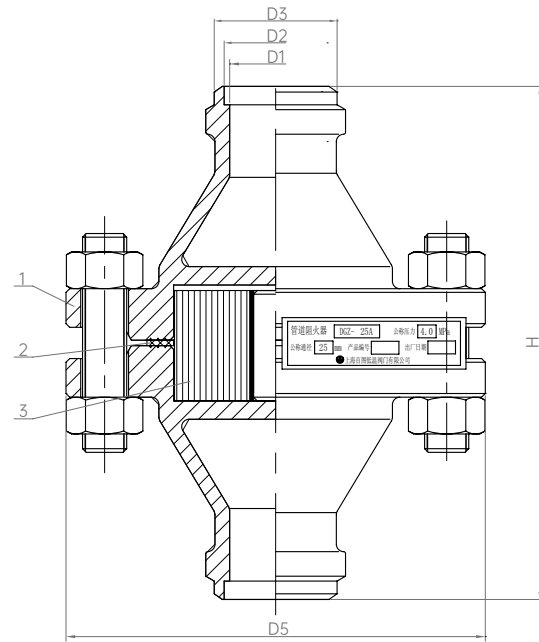
Flame Arrester

Parameters

Design Pressure: 4.0MPa
 Working Pressure: 0.08MPa ~ 0.16MPa
 DN: Ø25~Ø50
 Design Temp.: -196°C ~+150°C
 Media: LNG, CNG
 Connection : Butt Weld



Standards: GB/T133a47, TR CU 032/2013



Materials

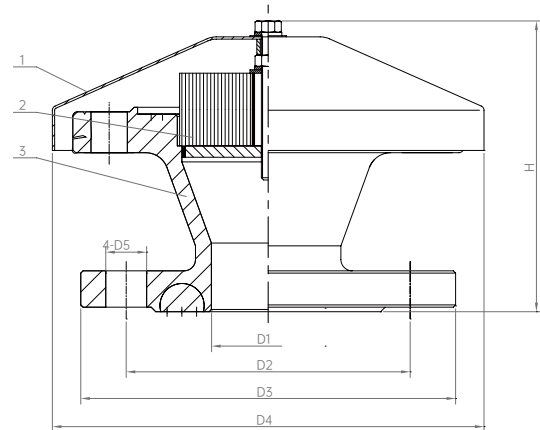
| | | |
|---|------------------|--------|
| 1 | shell | CF8 |
| 2 | Gasket | PTFE |
| 3 | flame proof core | S30408 |

| Model No. | Specifications & Dimensions (mm) | | | | | Weight(kg) |
|-----------|----------------------------------|------|------|------|-------|------------|
| | D1 | D2 | D3 | D4 | H | |
| DGZ-25A | 25 | 27.9 | 33.4 | Ø114 | 139 | 3.6 |
| DGZ-40B | 38 | 43 | 48.3 | Ø142 | 159 | |
| DGZ-50A | 50 | 54.5 | 60.3 | 168 | 129.5 | |

Cap of Flame Arrester

Parameters

Design Pressure: 4.0MPa
 Working Pressure: 0.08MPa ~ 0.16MPa
 DN: Ø50
 Design Temp.: -196°C ~ +150°C
 Media: LNG. CNG
 Connection : Flange



Standards: GB/T 1334A7, TR CU 032/2013

Materials

| | | |
|---|------------------|--------|
| 1 | Dust Cover | S30408 |
| 2 | flame proof core | S30408 |
| 3 | shell | CF8 |

| Model No. | Specifications & Dimensions (mm) | | | | | | Weight(kg) |
|-----------|----------------------------------|-----|-----|-----|----|-----|------------|
| | D1 | D2 | D3 | D4 | D5 | H | |
| DGZ-50B | 50 | 125 | 165 | 190 | 18 | 128 | |



Shanghai Baitu
Cryogenic Valve.Co.,Ltd.

Cryogenic Valve Solutions
Worth Your Trust



Add: Building 5, No.428, Changhong Road, Baoshan District, Shanghai, China

E-mail: sales@baituvalves.com

Website: www.baituvalves.com