

BAITU CRYOGENIC VALVE

Cryogenic Transportation &
Storage Equipment/
LNG Filling Station



Cryogenic Valve Solutions
Worth Your Trust



Shanghai Baitu
Cryogenic Valve.Co.,Ltd.

www.baituvalves.com





High Pressure Valves

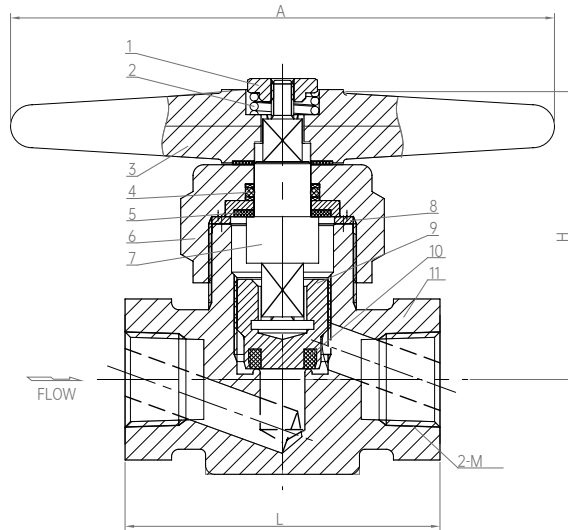
GDF-15~GDF-20	244
DGJ-08~DGJ-25	245
DGJ-15G~DGJ-25G	246
DGJ-15FB(01)	247
DGJ-20B~DGJ-20B1	248
DGJ-20C	249
DGJ-25A	250
DGH-10~DGH-25	251
DGH-20B~DGH-20B1	252
DGQ-10~DGQ-25	253
DGQ-20B	254



High Pressure Globe Valve

Parameters

PN: 30MPa
DN: Ø15~Ø20
Design Temp.: -40°C ~+80°C
Media: NG, O₂, N₂, Ar, H₂



Materials

1	Stem Nut	HPb59-1	5	Sealing	Nylon1010	9	Gate	HPb59-1
2	Spring	S30210	6	Big Nut	HPb59-1	10	Sealing	Vespel
3	Hand Lever	HPb59-1	7	Stem	HPb59-1	11	Body	HPb59-1
4	O Ring	HNBR	8	Washer	T2			

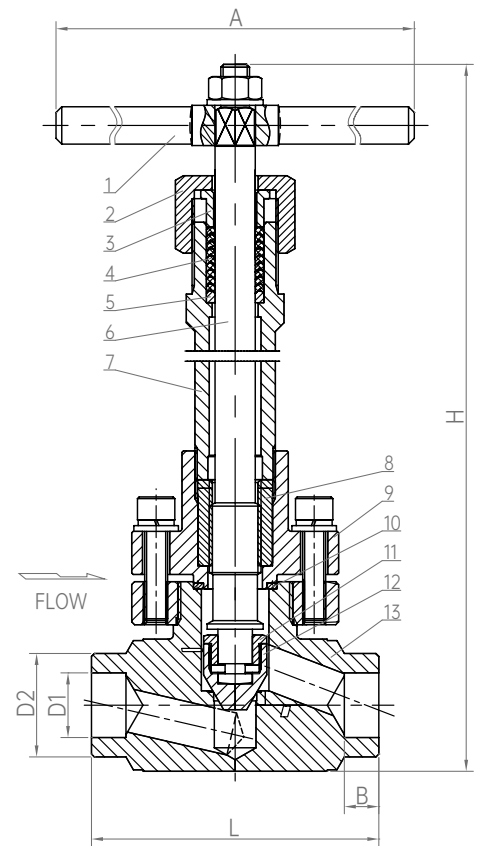
Model No.	Specifications & Dimensions (mm)				Weight(kg)
	H	L	A	M	
GDF-15	84	88	152	NPT 3/4	2.0
GDF-20	84	88	152	NPT 1/2	

High Pressure Cryogenic Globe Valve

Parameters

PN: 32MPa
DN: Ø8~Ø25
Design Temp.: -196°C ~+80°C
Media: LNG, LO₂, LN₂, LAr, CO₂

Connection : Socket Weld



Materials

1	Hand Lever	S30408	6	Stem	S30408	11	Connecting Nut	S30408
2	Gland Nut	S30408	7	Connecting Pipe	S30408	12	Disc	S30408
3	Gland	S30408	8	Bushing	HPb59-1	13	Body	S30408
4	Gasket	PTFE	9	Bonnet	S30408			
5	Washer	HPb59-1	10	Gasket	T2			

Model No.	Specifications & Dimensions (mm)							Weight(kg)
	H	A	L	B	D0	D1	D2	
DGJ-08	277.5	170	100	10	Ø8	Ø14.5	Ø36	
DGJ-10	277.5	170	100	10	Ø10	Ø18.5	Ø36	
DGJ-15	277.5	170	100	12	Ø15	Ø22.5	Ø36	
DGJ-20	345	219	128	12.5	Ø20	Ø27.5	Ø46	
DGJ-25	345	219	128	12.5	Ø25	Ø32.5	Ø46	



High Pressure Cryogenic Globe Valve

Parameters

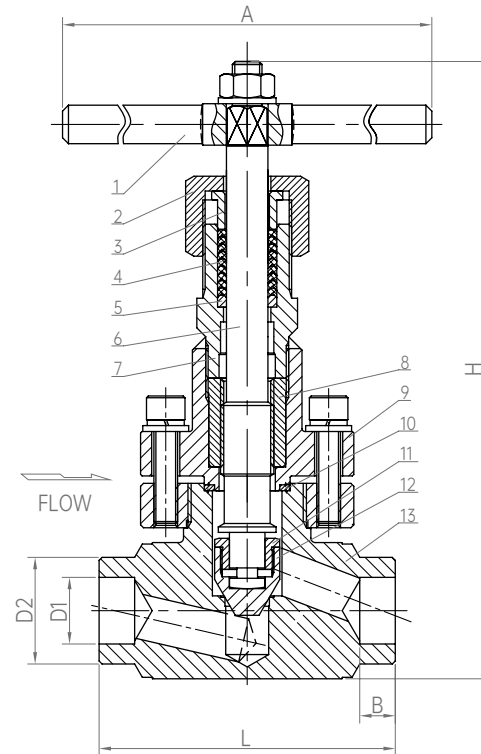
PN: 32MPa

DN: Ø15~Ø20

Design Temp.: -196°C ~+80°C

Media: LNG, LO₂, LN₂, LAr, CO₂

Connection : Socket Weld



Materials

1	Hand Lever	S30408	6	Stem	S30408	11	Connecting Nut	S30408
2	Gland Nut	S30408	7	Connecting Pipe	S30408	12	Disc	S30408
3	Gland	S30408	8	Bushing	HPb59-1	13	Body	S30408
4	Gasket	PTFE	9	Bonnet	S30408			
5	Washer	HPb59-1	10	Gasket	T2			

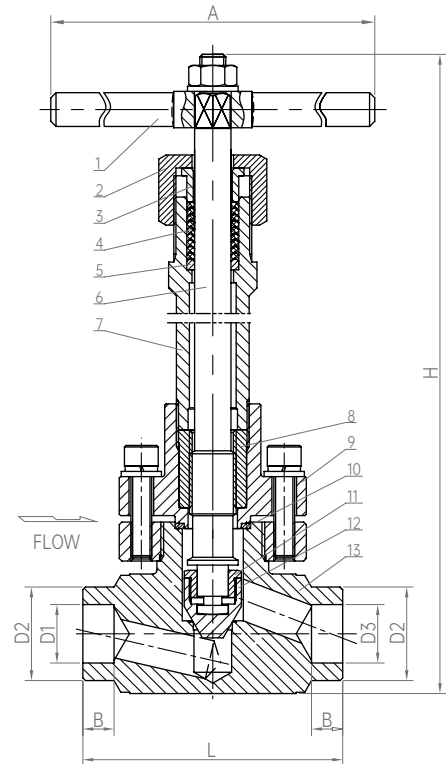
Model No.	Specifications & Dimensions (mm)							Weight(kg)
	H	A	L	B	D0	D1	D2	
DGJ-15G	206.5	170	100	12	Ø15	Ø22.5	Ø36	
DGJ-20G	286	219	128	12.5	Ø20	Ø27.5	Ø46	
DGJ-20BG	206.5	170	100	12	Ø20	Ø26	Ø36	
DGJ-25G	286	219	128	12.5	Ø25	Ø32.5	Ø46	

High Pressure Cryogenic Globe Valve

Parameters

PN: 32MPa
DN: Ø15
Design Temp.: -196°C ~+80°C
Media: LNG, LO₂, LN₂, LAr, CO₂

Connection : Socket Weld



Materials

1	Hand Lever	S30408	6	Stem	S30408	11	Connecting Nut	S30408
2	Gland Nut	S30408	7	Connecting Pipe	S30408	12	Disc	S30408
3	Gland	S30408	8	Bushing	HPb59-1	13	Body	S30408
4	Gasket	PTFE	9	Bonnet	S30408			
5	Washer	HPb59-1	10	Gasket	T2			

Model No.	Specifications & Dimensions (mm)								Weight(kg)
	H	A	L	B	D0	D1	D2	D3	
DGJ-15FB(01)	277.5	170	100	12	Ø15	Ø18.5	Ø36	Ø25.5	



High Pressure Cryogenic Globe Valve

Parameters

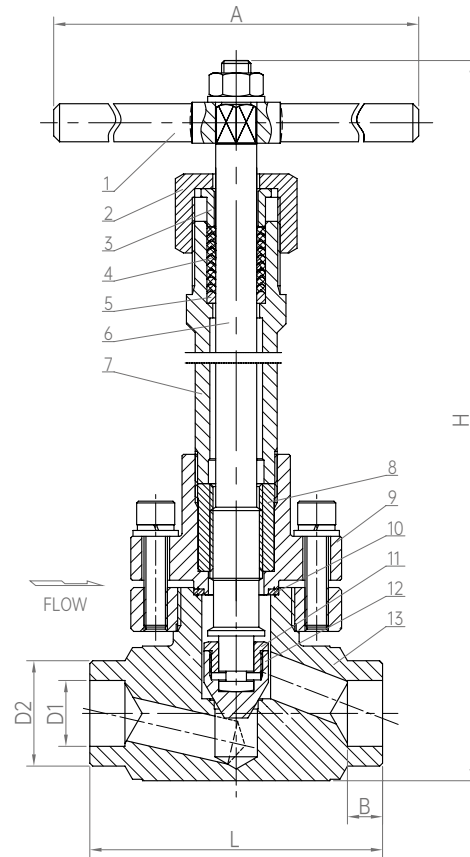
PN: 32MPa

DN: Ø20

Design Temp.: -196°C ~+80°C

Media: LNG, LO₂, LN₂, LAr, CO₂

Connection : Socket Weld



Materials

1	Hand Lever	S30408	6	Stem	S30408	11	Connecting Nut	S30408
2	Gland Nut	S30408	7	Connecting Pipe	S30408	12	Disc	S30408
3	Gland	S30408	8	Bushing	HPb59-1	13	Body	S30408
4	Gasket	PTFE	9	Bonnet	S30408			
5	Washer	HPb59-1	10	Gasket	T2			

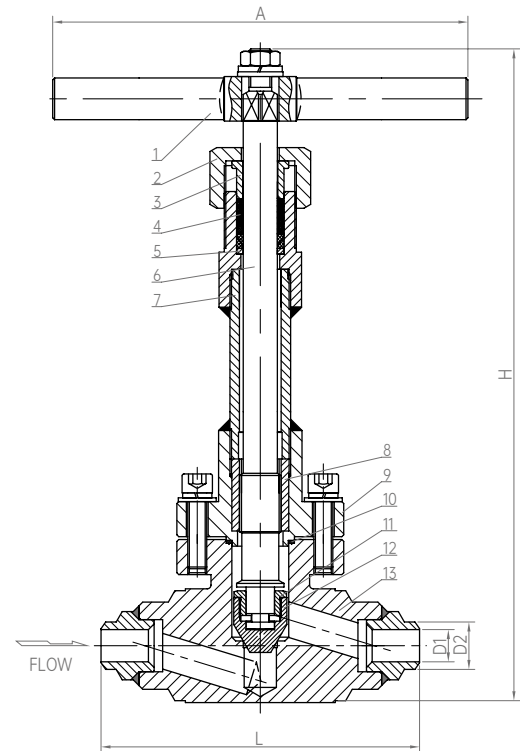
Model No.	Specifications & Dimensions (mm)							Weight(kg)
	H	A	L	B	D0	D1	D2	
DGJ-20B	277.5	170	100	12	Ø20	Ø26	Ø36	
DGJ-20B1	277.5	170	100	12	Ø20	Ø25.5	Ø36	

High Pressure Cryogenic Globe Valve

Parameters

PN: 32MPa
DN: Ø20
Design Temp.: -196°C ~+80°C
Media: LNG, LO₂, LN₂, LAr, CO₂

Connection : Butt Weld



Materials

1	Hand Lever	S30408	6	Stem	S30408	11	Connecting Nut	S30408
2	Gland Nut	S30408	7	Connecting Pipe	S30408	12	Disc	S30408
3	Gland	S30408	8	Bushing	HPb59-1	13	Body	S30408
4	Gasket	PTFE	9	Bonnet	S30408			
5	Washer	HPb59-1	10	Gasket	T2			

Model No.	Specifications & Dimensions (mm)						Weight(kg)
	H	A	L	D0	D1	D2	
DGJ-20C	345	219	168	Ø20	Ø17	Ø25	



High Pressure Cryogenic Globe Valve

Parameters

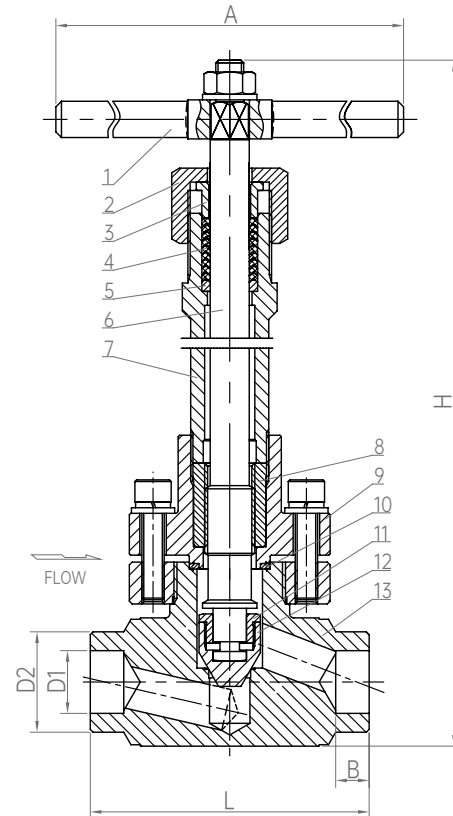
PN: 32MPa

DN: Ø25

Design Temp.: -196°C ~+80°C

Media: LNG, LO₂, LN₂, LAr, CO₂

Connection : Socket Weld



Materials

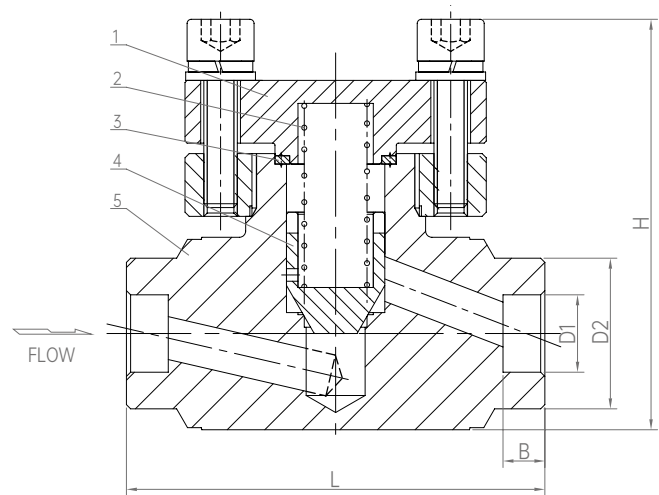
1	Hand Lever	S30408	6	Stem	S30408	11	Connecting Nut	S30408
2	Gland Nut	S30408	7	Connecting Pipe	S30408	12	Disc	S30408
3	Gland	S30408	8	Bushing	HPb59-1	13	Body	S30408
4	Gasket	PTFE	9	Bonnet	S30408			
5	Washer	HPb59-1	10	Gasket	T2			

Model No.	Specifications & Dimensions (mm)							Weight(kg)
	H	A	L	B	D0	D1	D2	
DGJ-25A	345	219	128	12.5	Ø25	Ø34.5	Ø46	

High Pressure Cryogenic Check Valve

Parameters

PN: 32MPa
 DN: Ø10~Ø25
 Design Temp.: -196°C ~+80°C
 Media: LNG, LO₂, LN₂, LAr, CO₂
 Connection : Socket Weld



Materials

1 Bonnet	S30408	3 Gasket	T2	5 Body	S30408
2 Spring	S30210	4 Disc	S30408		

Model No.	Specifications & Dimensions (mm)						Weight(kg)
	H	L	B	D0	D1	D2	
DGH-10	98	100	10	Ø10	Ø18.5	Ø36	
DGH-15	98	100	12	Ø15	Ø22.5	Ø36	
DGH-20	98	100	12.5	Ø20	Ø27.5	Ø36	
DGH-25	120	128	12.5	Ø25	Ø32.5	Ø46	



High Pressure Cryogenic Check Valve

Parameters

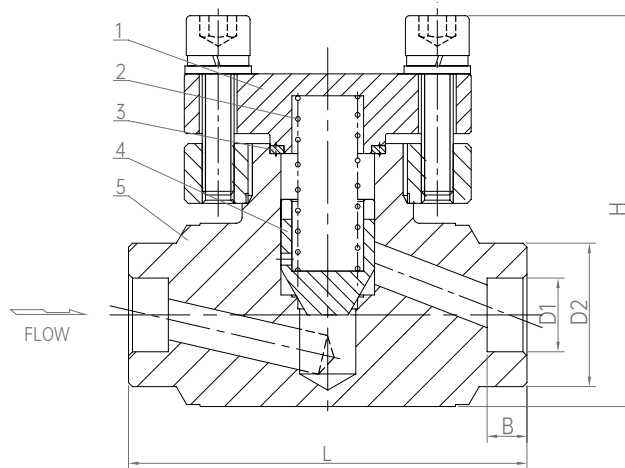
PN: 32MPa

DN: Ø20

Design Temp.: -196°C ~+80°C

Media: LNG, LO₂, LN₂, LAr, CO₂

Connection : Socket Weld



Materials

1 Bonnet	S30408	3 Gasket	T2	5 Body	S30408
2 Spring	S30210	4 Disc	S30408		

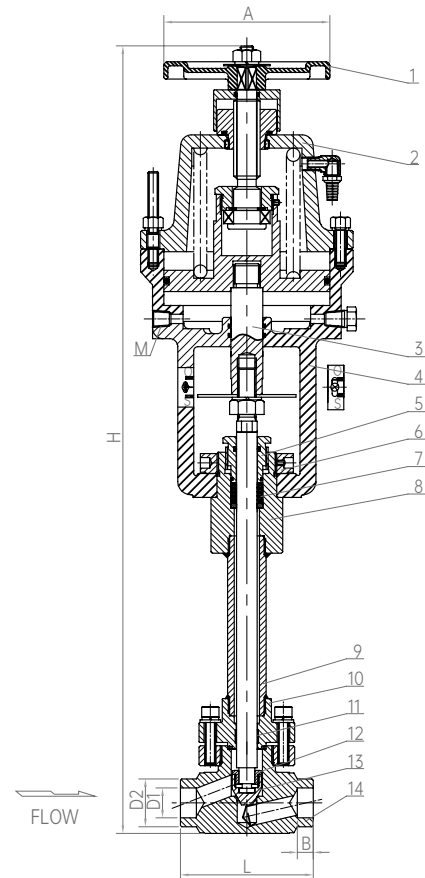
Model No.	Specifications & Dimensions (mm)						Weight(kg)
	H	L	B	D0	D1	D2	
DGH-20B	98	100	12.5	Ø20	Ø26	Ø36	
DGH-20B1	98	100	12.5	Ø20	Ø25.5	Ø36	

High Pressure Emergency Shut-off Valve

Parameters

PN: 32MPa
DN: Ø10~Ø25
Design Temp.: -196°C ~+80°C
Media: LNG, LO₂, LN₂, LAr, CO₂

Connection : Socket Weld



Materials

1 Hand Wheel	Y102	6 Cylinder	S30408	11 Bonnet	PTFE
2 Cylinder	ZL104	7 Gland Nut	PTFE	12 Connecting Nut	S30408
3 Cover	S30408	8 Washer	S30408	13 Disc	S30408
4 Connecting	ZL104	9 Gland Packings	S30408	14 Body	S30408
5 Shaft	S30408	10 Connecting Pipe	S30408		

Model No.	Specifications & Dimensions (mm)								Weight(kg)
	H	A	L	B	M	D0	D1	D2	
DGQ-10	593	Ø140	100	10	Rc1/4	Ø10	Ø18.5	Ø36	
DGQ-15	593	Ø140	100	12	Rc1/4	Ø15	Ø22.5	Ø36	
DGQ-20	593	Ø140	100	12	Rc1/4	Ø20	Ø27.5	Ø36	
DGQ-25	663	Ø140	128	12.5	Rc1/4	Ø25	Ø32.5	Ø46	



High Pressure Emergency Shut-off Valve

Parameters

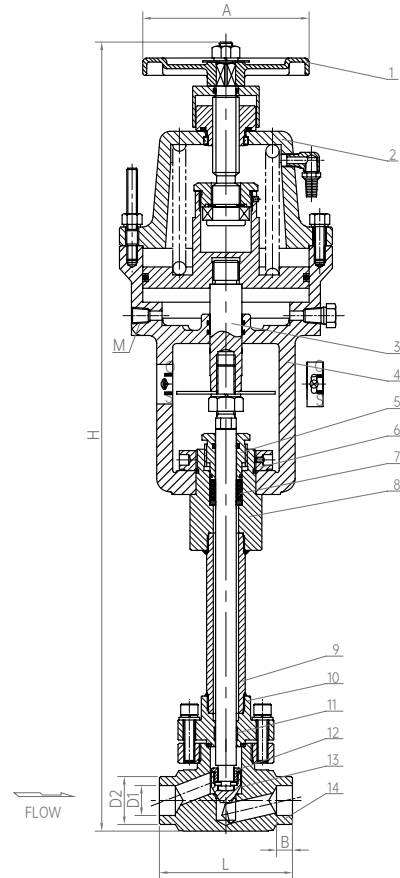
PN: 32MPa

DN: Ø20

Design Temp.: -196°C ~+80°C

Media: LNG, LO₂, LN₂, LAr, CO₂

Connection : Socket Weld



Materials

1 Hand Wheel	Y102	6 Fastening Nut	S30408	11 Lining	PTFE
2 Cylinder Cover	ZL104	7 Washer	PTFE	12 Connecting Nut	S30408
3 Connecting Shaft	S30408	8 Gland Packings	S30408	13 Disc	S30408
4 Cylinder	ZL104	9 Connecting Pipe	S30408	14 Body	S30408
5 Gland Nut	S30408	10 Bonnet	S30408		

Model No.	Specifications & Dimensions (mm)								Weight(kg)
	H	A	L	B	M	D0	D1	D2	
DGQ-20B	593	Ø140	100	12	Rc1/4	Ø20	Ø26	Ø36	



Shanghai Baitu
Cryogenic Valve.Co.,Ltd.

Cryogenic Valve Solutions
Worth Your Trust



Add: Building 5, No.428, Changhong Road, Baoshan District, Shanghai, China

E-mail: sales@baituvalves.com

Website: www.baituvalves.com