

# BAITU CRYOGENIC VALVE

---

Cryogenic Transportation &  
Storage Equipment/  
LNG Filling Station



Cryogenic Valve Solutions  
Worth Your Trust



Shanghai Baitu  
Cryogenic Valve.Co.,Ltd.

[www.baituvalves.com](http://www.baituvalves.com)



# Cryogenic Diverter Valve

[www.baituvalves.com](http://www.baituvalves.com)

BAITU CRYOGENIC VALVE





# Product Contents

## Cryogenic Diverter Valve

DQS-15~DQS-15F	145
DQS-15A	146
DQS-15C~DQS-15E1	147
DQS-15D	148
DQS-15W~DQS-15W1	149
DQS-25	150
DQS-25A	151
DQS-25B	152
DQS-25C~DQS-25C1	153
DQS-25C4	154
DQS-25C5~DQS-25C7	155
DQS-25C6	156
DQS-25C8~DQS-25C11	157
DQS-25C13	158
DQS-25S2	159
DQS-25W	160
DQS-25W3	161
DQS-25Y2~DQS-25Y3	162
DQS-40.001	163
DQS-40A	164
DQS-15.98~DQS-25.98	165
DJS-15	166
DJS-15C	167
DJS-25A~DJS-25A1	168
DJS-25B	169



# Cryogenic Diverter Valve

## Parameters

PN: 4.0MPa

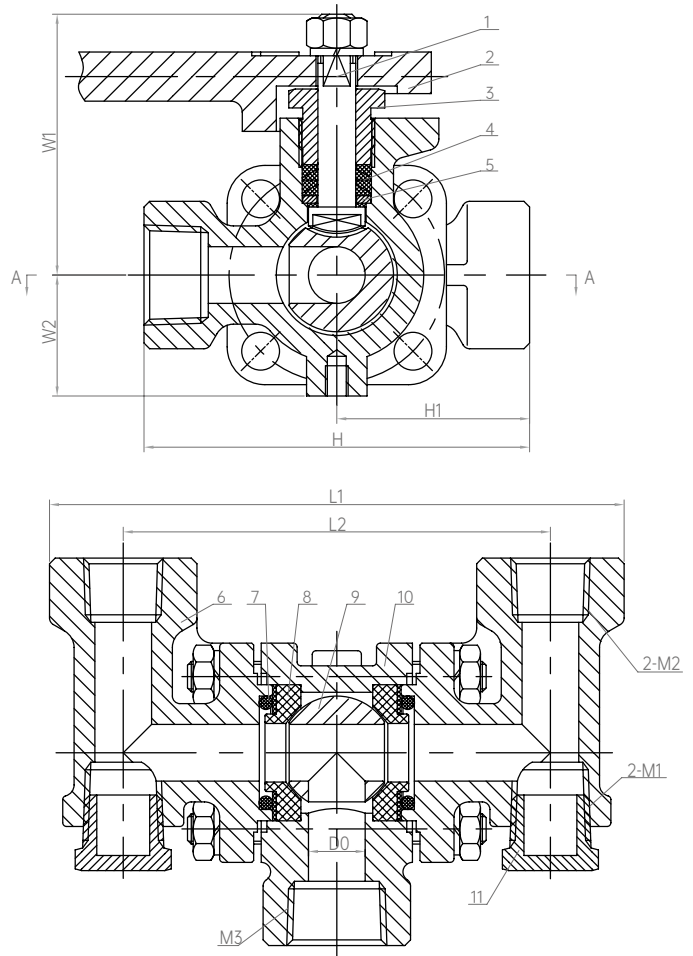
DN: Ø15

Design Temp.: -196°C ~+80°C

Media: LNG. LO<sub>2</sub>. LN<sub>2</sub>. LAr. CO<sub>2</sub>



This kind of product has certified by CE, EAC, TS and CCS  
Standards: GB/T 24925, EN1626:2008, TR CU 032/2013



## Materials

1	Stem	S30408	5	Washer	S30408	9	Ball	S30408
2	Hand Lever	CF8	6	Bonnet	CF8	10	Body	CF8
3	Gland Nut	HPb59-1	7	Gasket PTFE	PTFE	11	Screw Plug	S30408
4	Gasket	PTFE	8	Ball Lining	PTFE			

Model No.	Specifications & Dimensions (mm)										Weight(kg)
	H	H1	D0	M1	M2	M3	L1	L2	W1	W2	
DQS-15	102.5	51.5	Ø15	NPT1/2	NPT1/2	NPT3/4	152	113	69	32	2.4
DQS-15F	102.5	51.5	Ø15	NPT1/2	Rc3/4	NPT3/4	152	113	69	32	2.4



# Cryogenic Diverter Valve

## Parameters

PN: 4.0MPa

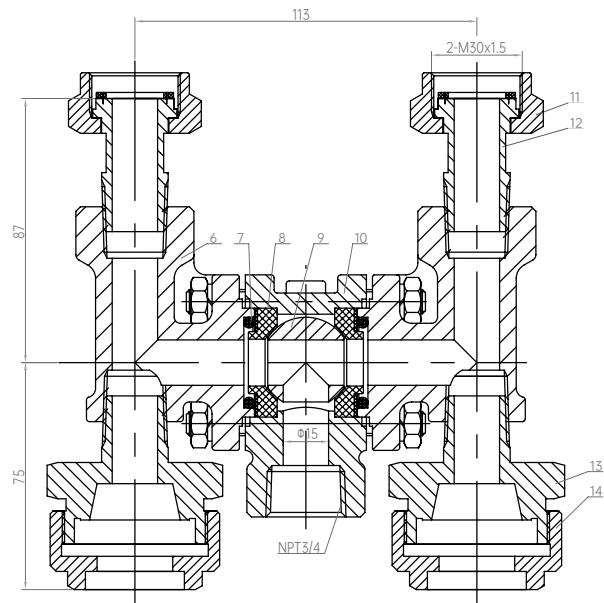
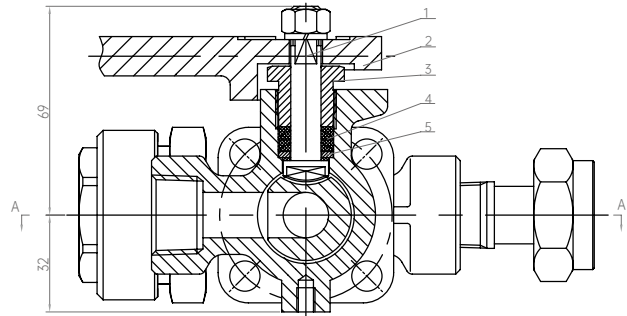
DN: Ø15

Design Temp.: -196°C ~+80°C

Media: LNG. LO<sub>2</sub>. LN<sub>2</sub>. LAr. CO<sub>2</sub>



This kind of product has certified by CE, EAC, TS and CCS  
Standards: GB/T 24925, EN1626:2008, TR CU 032/2013



Model No.DQS-15A

## Materials

1	Stem	S30408	6	Bonnet	CF8	11	Hexagon Nut	HPb59-1
2	Hand Lever	CF8	7	Gasket	PTFE	12	Pipe	S30408
3	Gland Nut	HPb59-1	8	Ball Lining	PTFE	13	Adaptor	HPb59-1
4	Gasket	PTFE	9	Ball	S30408	14	Nut	S30408
5	Washer	S30408	10	Body	CF8			

# Cryogenic Diverter Valve

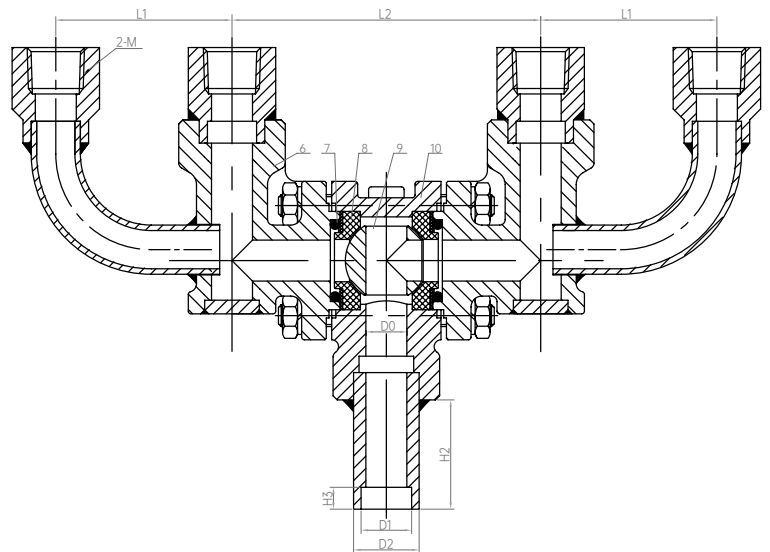
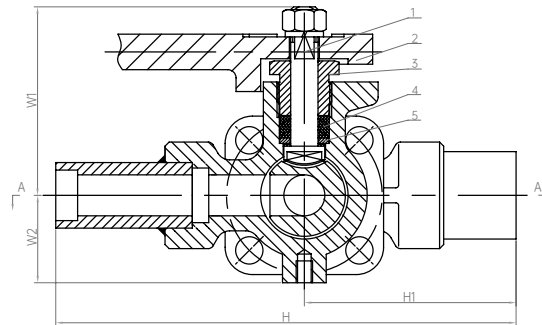
## Parameters

PN: 4.0MPa

DN: Ø15

Design Temp.: -196°C ~+80°C

Media: LNG, LO<sub>2</sub>, LN<sub>2</sub>, LAr, CO<sub>2</sub>



This kind of product has certified by CE, EAC, TS and CCS  
Standards: GB/T 24925, EN1626:2008, TR CU 032/2013

## Materials

1	Stem	S30408	5	Washer	S30408	9	Ball	S30408
2	Hand Lever	CF8	6	Bonnet	CF8	10	Body	CF8
3	Gland Nut	HPb59-1	7	Gasket PTFE	PTFE			
4	Gasket	PTFE	8	Ball Lining	PTFE			

Model No.	Specifications & Dimensions (mm)												Weight(kg)
	H	H1	H2	H3	D0	D1	D2	M	L1	L2	W1	W2	
DQS-15C	169	78	40	8	Ø15	Ø18.5	Ø24	NPT1/2	64.5	113	69	32	2.4
DQS-15C1	169	78	40	8	Ø15	Ø21.5	Ø28	NPT1/2	64.5	113	69	32	2.4
DQS-15E1	169	78	40	8	Ø15	Ø21.5	Ø28	NPT1/4	64.5	113	69	32	3.2



# Cryogenic Diverter Valve

## Parameters

PN: 4.0MPa

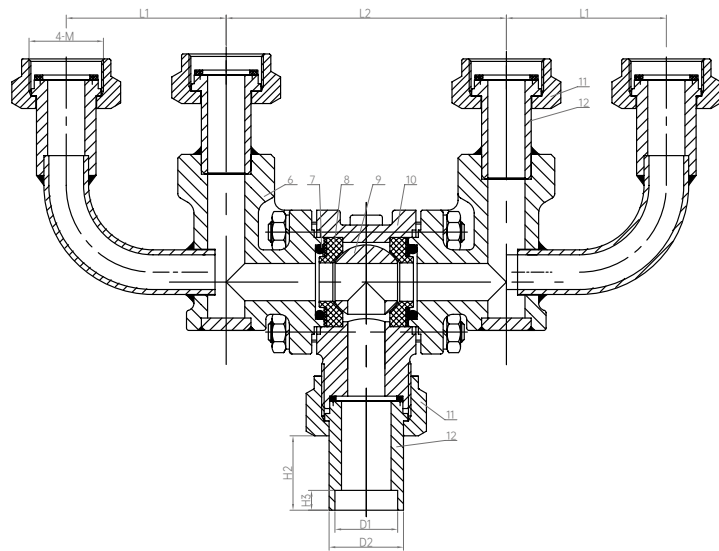
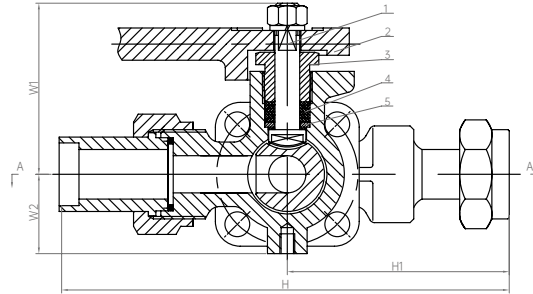
DN: Ø15

Design Temp.: -196°C ~+80°C

Media: LNG, LO<sub>2</sub>, LN<sub>2</sub>, LAr, CO<sub>2</sub>



This kind of product has certified by CE, EAC, TS and CCS  
Standards: GB/T 24925, EN1626:2008, TR CU 032/2013



## Materials

1 Stem	S30408	5 Washer	S30408	9 Ball	S30408
2 Hand Lever	CF8	6 Bonnet	CF8	10 Body	CF8
3 Gland Nut	HPb59-1	7 Gasket PTFE	PTFE	11 Hexagon Nut	HPb59-1
4 Gasket	PTFE	8 Ball Lining	PTFE	12 Pipe	S30408

Model No.	Specifications & Dimensions (mm)												Weight(kg)
	H	H1	H2	H3	D0	D1	D2	M	L1	L2	W1	W2	
DQS-15D	183	92	30	8	Ø15	Ø25.3	Ø30	M30×1.5	64.5	113	69	32	

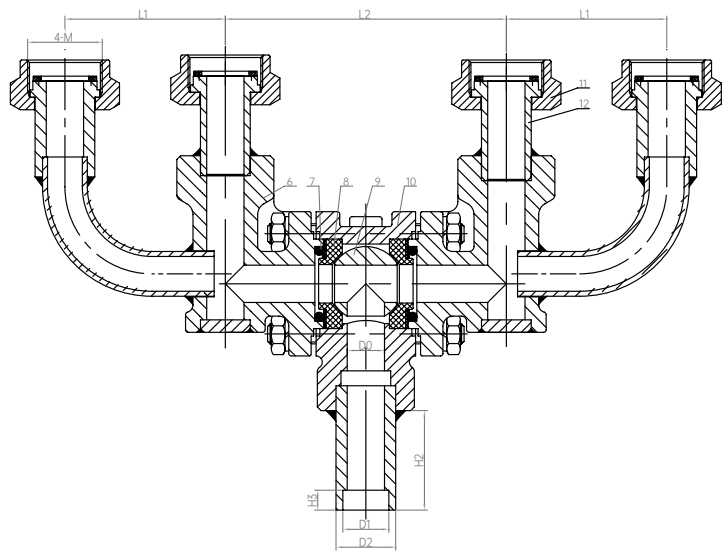
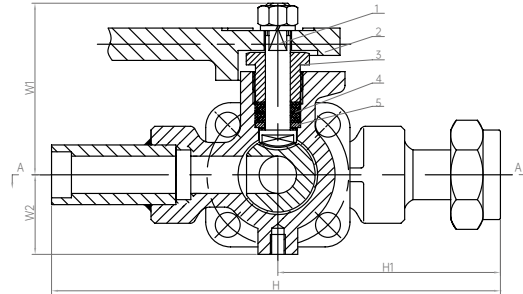
# Cryogenic Diverter Valve

## Parameters

PN: 4.0MPa  
DN: Ø15  
Design Temp.: -196°C ~+80°C  
Media: LNG, LO<sub>2</sub>, LN<sub>2</sub>, LAr, CO<sub>2</sub>



This kind of product has certified by CE, EAC, TS and CCS  
Standards: GB/T 24925, EN1626:2008, TR CU 032/2013



## Materials

1 Stem	S30408	5 Washer	S30408	9 Ball	S30408
2 Hand Lever	CF8	6 Bonnet	CF8	10 Body	CF8
3 Gland Nut	HPb59-1	7 Gasket PTFE	PTFE	11 Hexagon Nut	HPb59-1
4 Gasket	PTFE	8 Ball Lining	PTFE	12 Pipe	S30408

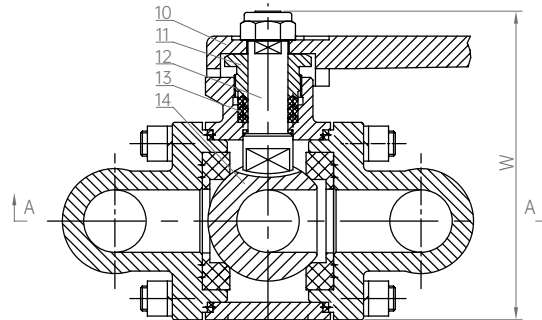
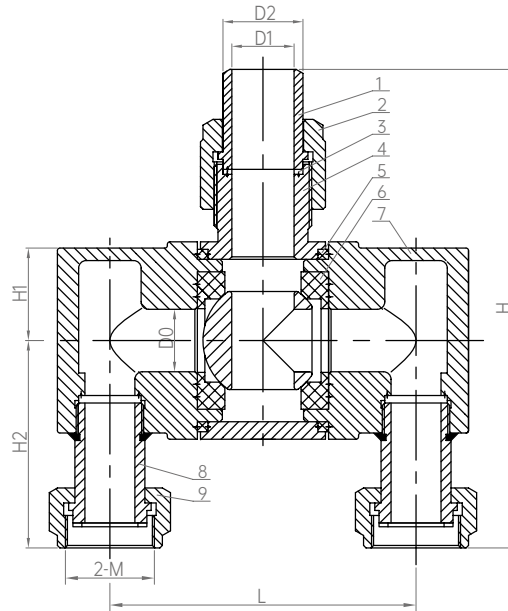
Model No.	Specifications & Dimensions (mm)												Weight(kg)
	H	H1	H2	H3	D0	D1	D2	M	L1	L2	W1	W2	
DQS-15W	183	92	40	8	Ø15	Ø18.5	Ø24	M30×1.5	64.5	113	69	32	
DQS-15W1	183	92	40	8	Ø15	Ø22.5	Ø28	M30×1.5	64.5	113	69	32	



# Cryogenic Diverter Valve

## Parameters

PN: 4.0MPa  
DN: Ø25  
Design Temp.: -196°C ~+80°C  
Media: LNG, LO<sub>2</sub>, LN<sub>2</sub>, LAr, CO<sub>2</sub>



This kind of product has certified by CE, EAC, TS and CCS  
Standards: GB/T 24925, EN1626:2008, TR CU 032/2013

## Materials

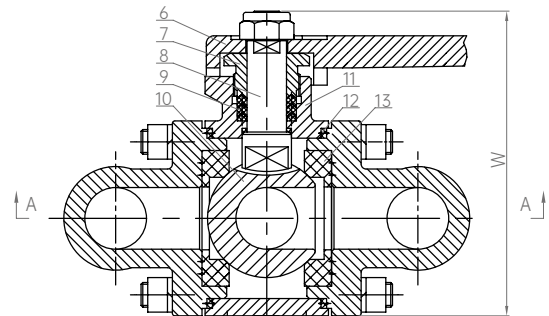
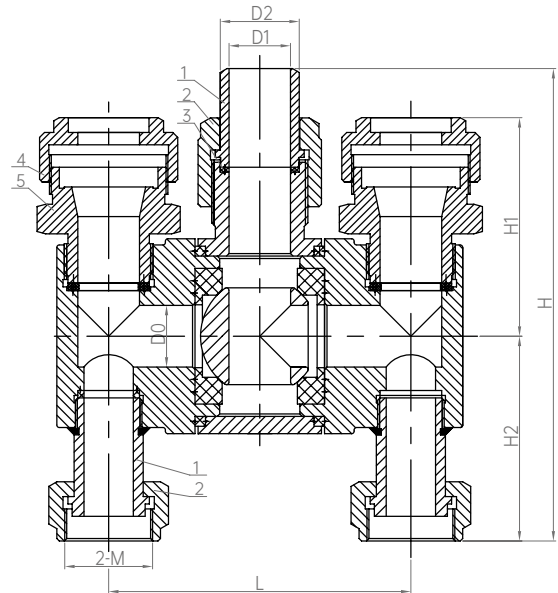
1 Pipe	S30408	6 Ball Lining	PTFE+C	11 Gland Nut	HPb59-1
2 Nut	HPb59-1	7 Bonnet	CF8	12 Stem	S30408
3 Gasket	PTFE	8 Pipe	S30408	13 Gasket	PTFE
4 Body	CF8	9 Nut	HPb59-1	14 Ball	S30408
5 Washer	PTFE	10 Hand Lever	CF8		

Model No.	Specifications & Dimensions (mm)									Weight (kg)
	H	H1	H2	H3	D0	D1	D2	M	L1	
DQS-25	191.5	37	83	Ø25	Ø25	Ø32	122.5	123.5	M36×2	4.9

# Cryogenic Diverter Valve

## Parameters

PN: 4.0MPa  
DN: Ø25  
Design Temp.: -196°C ~+80°C  
Media: LNG, LO<sub>2</sub>, LN<sub>2</sub>, LAr, CO<sub>2</sub>



This kind of product has certified by CE, EAC, TS and CCS  
Standards: GB/T 24925, EN1626:2008, TR CU 032/2013

## Materials

1	Pipe	S30408	6	Hand Lever	CF8	11	Body	CF8
2	Nut	HPb59-1	7	Gland Nut	HPb59-1	12	Washer	PTFE
3	Gasket	PTFE	8	Stem	S30408	13	Ball Lining	PTFE+C
4	Nut	S30408	9	Gasket	PTFE			
5	Adaptor	HPb59-1	10	Ball	S30408			

Model No.	Specifications & Dimensions (mm)									Weight(kg)
	H	H1	H2	D0	D1	D2	L	W	M	
DQS-25A	191.5	87	83	Ø25	Ø25	Ø32	122.5	123.5	M36×2	4.8



# Cryogenic Diverter Valve

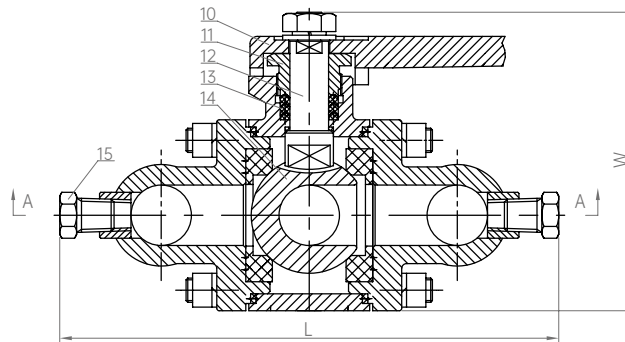
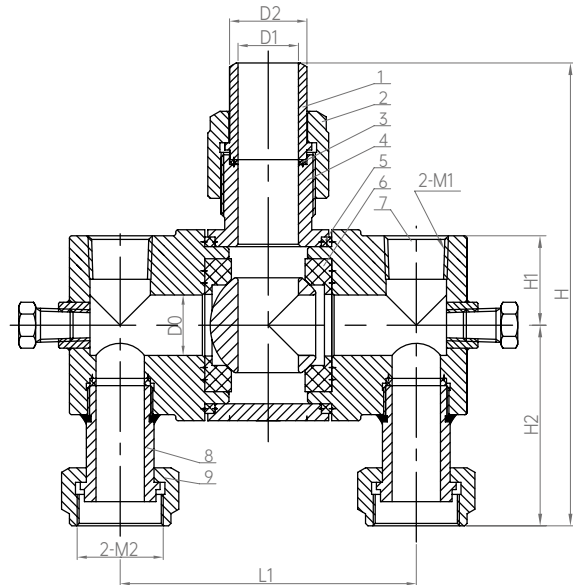
## Parameters

PN: 4.0MPa

DN: Ø25

Design Temp.: -196°C ~+80°C

Media: LNG, LO<sub>2</sub>, LN<sub>2</sub>, LAr, CO<sub>2</sub>



This kind of product has certified by CE, EAC, TS and CCS  
Standards: GB/T 24925, EN1626:2008, TR CU 032/2013

## Materials

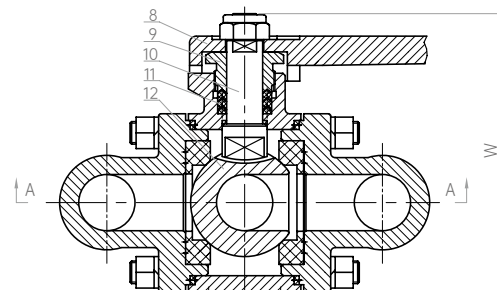
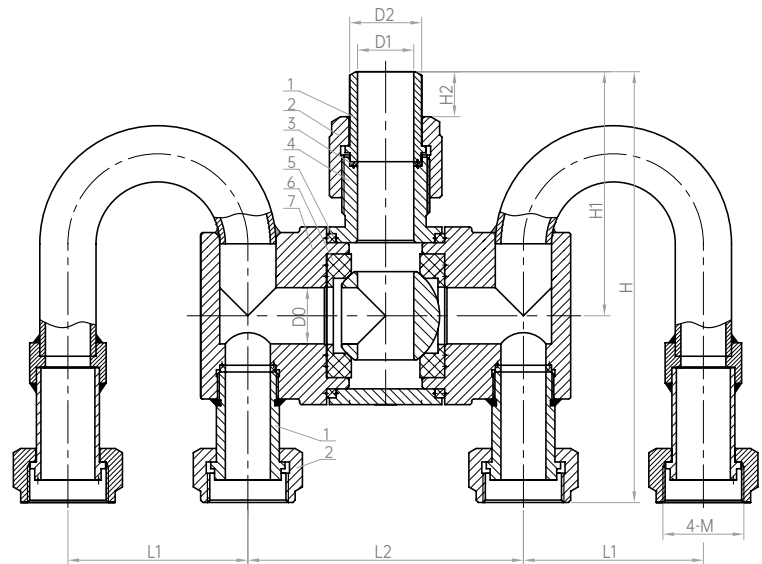
1 Pipe	S30408	6 Ball Lining	PTFE+C	11 Gland Nut	HPb59-1
2 Nut	HPb59-1	7 Bonnet	CF8	12 Stem	S30408
3 Gasket	PTFE	8 Pipe	S30408	13 Washer	PTFE
4 Body	CF8	9 Nut	HPb59-1	14 Ball	S30408
5 Washer	PTFE	10 Hand Lever	CF8	15 Screw Plug	HPb59-1

Model No.	Specifications & Dimensions (mm)											Weight(kg)
	H	H1	H2	D0	D1	D2	L	L1	W	M1	M2	
DQS-25B	191.5	37	83	Ø25	Ø25	Ø32	206	122.5	123.5	NPT3/4	M36×2	

# Cryogenic Diverter Valve

## Parameters

PN: 4.0MPa  
DN: Ø25  
Design Temp.: -196°C ~+80°C  
Media: LNG, LO<sub>2</sub>, LN<sub>2</sub>, LAr, CO<sub>2</sub>



This kind of product has certified by CE, EAC, TS and CCS  
Standards: GB/T 24925, EN1626:2008, TR CU 032/2013

## Materials

1 Pipe	S30408	5 Washer	PTFE	9 Gland Nut	HPb59-1
2 Nut	HPb59-1	6 Ball Lining	PTFE+C	10 Stem	S30408
3 Gasket	PTFE	7 Bonnet	CF8	11 Gasket	PTFE
4 Body	CF8	8 Hand Lever	CF8	12 Ball	S30408

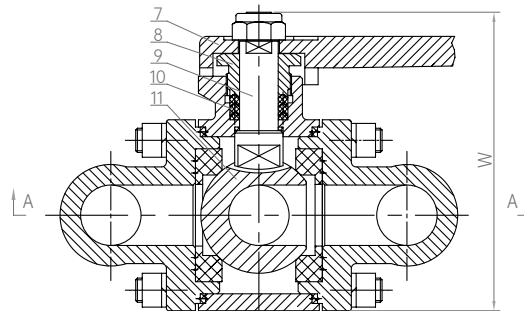
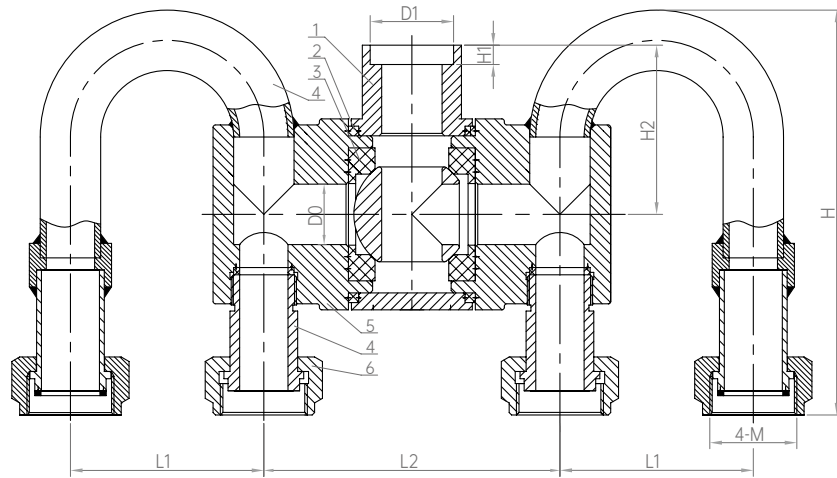
Model No.	Specifications & Dimensions (mm)										Weight(kg)
	H	H1	H2	W	D0	D1	D2	L1	L2	M	
DQS-25C	191.5	108.5	20	123.5	Ø25	Ø25	Ø32	102	122.5	M36×2	6.4
DQS-25C1	191.5	108.5	20	123.5	Ø25	Ø25	Ø32	80	122.5	M36×2	6.3



# Cryogenic Diverter Valve

## Parameters

PN: 4.0MPa  
DN: Ø25  
Design Temp.: -196°C ~+80°C  
Media: LNG, LO<sub>2</sub>, LN<sub>2</sub>, LAR, CO<sub>2</sub>



This kind of product has certified by CE, EAC, TS and CCS  
Standards: GB/T 24925, EN1626:2008, TR CU 032/2013

## Materials

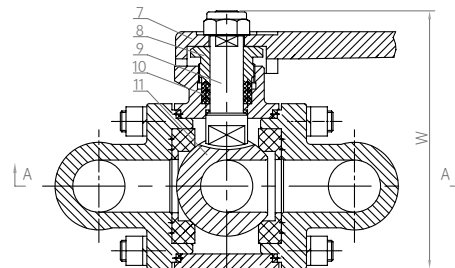
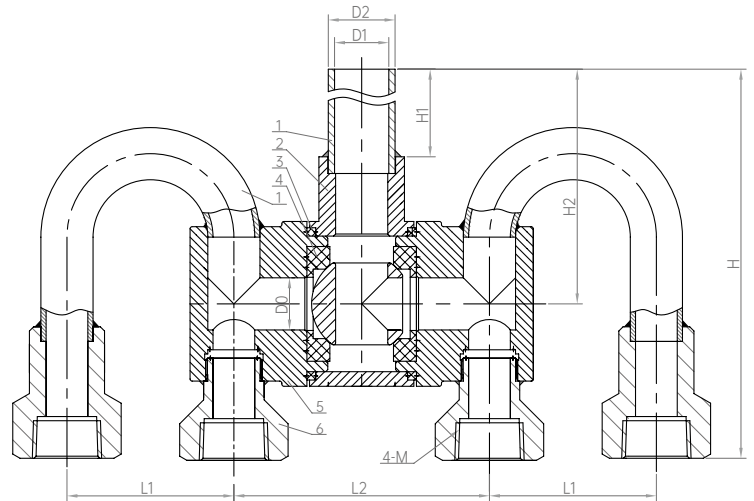
1	Body	CF8	5	Bonnet	CF8	9	Stem	S30408
2	Washer	PTFE	6	Nut	HPb59-1	10	Gasket	PTFE
3	Ball Lining	PTFE+C	7	Hand Lever	CF8	11	Ball	S30408
4	Pipe	S30408	8	Gland Nut	HPb59-1			

Model No.	Specifications & Dimensions (mm)									Weight(kg)
	H	H1	H2	W	D0	D1	L1	L2	M	
DQS-25C4	172	8	70.5	123.5	Ø25	Ø34.5	80	122.5	M36×2	6.2

# Cryogenic Diverter Valve

## Parameters

PN: 4.0MPa  
DN: Ø25  
Design Temp.: -196°C ~+80°C  
Media: LNG, LO<sub>2</sub>, LN<sub>2</sub>, LAr, CO<sub>2</sub>



This kind of product has certified by CE, EAC, TS and CCS  
Standards: GB/T 24925, EN1626:2008, TR CU 032/2013

## Materials

1	Pipe	S30408	5	Bonnet	CF8	9	Stem	S30408
2	Body	CF8	6	Adaptor	S30408	10	Gasket	PTFE
3	Washer	PTFE	7	Hand Lever	CF8	11	Ball	S30408
4	Ball Lining	PTFE+C	8	Gland Nut	HPb59-1			

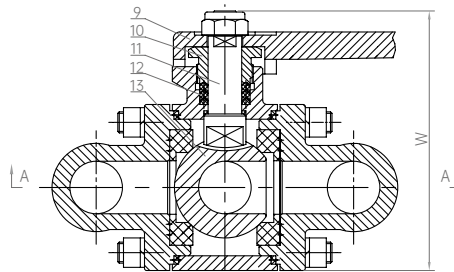
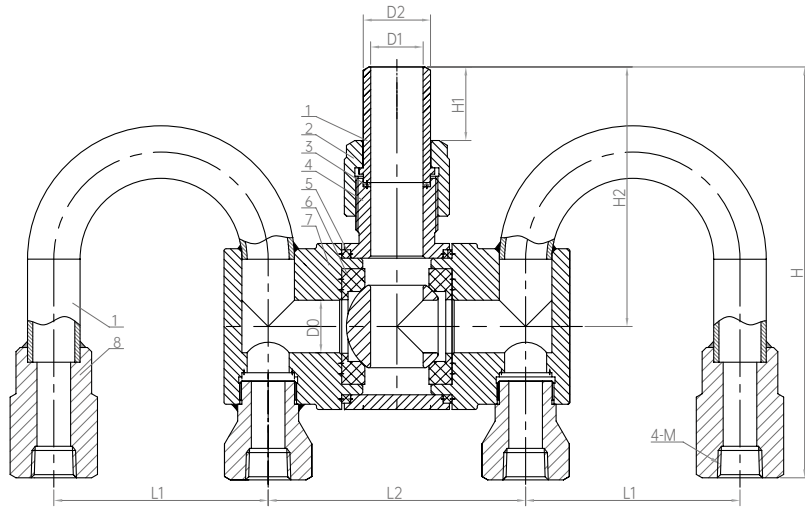
Model No.	Specifications & Dimensions (mm)										Weight(kg)
	H	H1	H2	W	D0	D1	D2	L1	L2	M	
DQS-25C5	235.5	92	162.5	123.5	Ø25	Ø26	Ø32	102	122.5	NPT 3/4	6.2
DQS-25C7	235.5	92	162.5	123.5	Ø25	Ø26	Ø32	102	122.5	NPT 1	6.4



# Cryogenic Diverter Valve

## Parameters

PN: 4.0MPa  
DN: Ø25  
Design Temp.: -196°C ~+80°C  
Media: LNG, LO<sub>2</sub>, LN<sub>2</sub>, LAr, CO<sub>2</sub>



This kind of product has certified by CE, EAC, TS and CCS  
Standards: GB/T 24925, EN1626:2008, TR CU 032/2013

## Materials

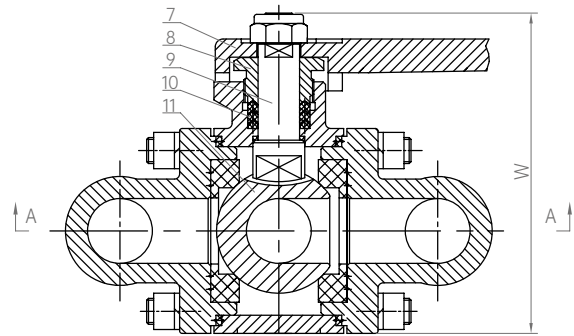
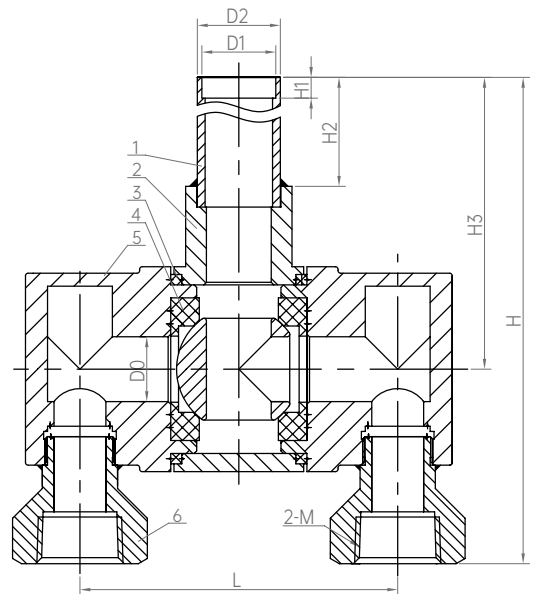
1	Pipe	S30408	6	Ball Lining	PTFE+C	11	Stem	S30408
2	Nut	HPb59-1	7	Bonnet	CF8	12	Gasket	PTFE
3	Washer	PTFE	8	Adaptor	S30408	13	Ball	S30408
4	Body	CF8	9	Hand Lever	CF8			
5	Gasket	PTFE	10	Gland Nut	HPb59-1			

Model No.	Specifications & Dimensions (mm)										Weight(kg)
	H	H1	H2	W	D0	D1	D2	L1	L2	M	
DQS-25C6	196.5	35	123.5	123.5	Ø25	Ø25	Ø32	102	122.5	NPT 1/2	6.4

# Cryogenic Diverter Valve

## Parameters

PN: 4.0MPa  
DN: Ø25  
Design Temp.: -196°C ~+80°C  
Media: LNG, LO<sub>2</sub>, LN<sub>2</sub>, LAr, CO<sub>2</sub>



This kind of product has certified by CE, EAC, TS and CCS  
Standards: GB/T 24925, EN1626:2008, TR CU 032/2013

## Materials

1 Pipe	S30408	5 Bonnet	CF8	9 Stem	S30408
2 Body	CF8	6 Adaptor	S30408	10 Gasket	PTFE
3 Washer	PTFE	7 Hand Lever	CF8	11 Ball	S30408
4 Ball Lining	PTFE+C	8 Gland Nut	HPb59-1		

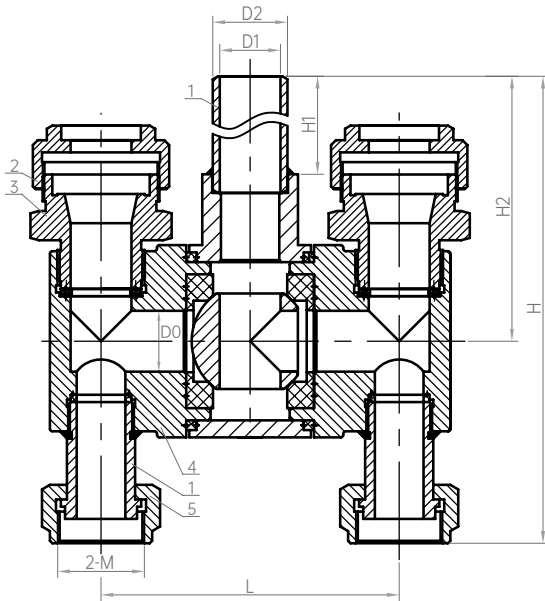
Model No.	Specifications & Dimensions (mm)										Weight(kg)
	H	H1	H2	H3	W	D0	D1	D2	L	M	
DQS-25C8	235.5	--	92	162.5	123.5	Ø25	Ø26	Ø32	122.5	NPT 1	
DQS-25C9	235.5	--	92	162.5	123.5	Ø25	Ø26	Ø32	122.5	NPT 3/4	
DQS-25C10	235.5	8	92	162.5	123.5	Ø25	Ø28.5	Ø32	122.5	NPT 3/4	
DQS-25C11	235.5	--	92	162.5	123.5	Ø25	Ø26	Ø32	122.5	NPT 1/2	



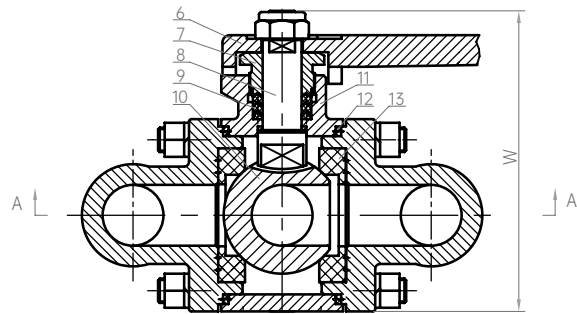
# Cryogenic Diverter Valve

## Parameters

PN: 4.0MPa  
DN: Ø25  
Design Temp.: -196°C ~+80°C  
Media: LNG, LO<sub>2</sub>, LN<sub>2</sub>, LAr, CO<sub>2</sub>



This kind of product has certified by CE, EAC, TS and CCS  
Standards: GB/T 24925, EN1626:2008, TR CU 032/2013



## Materials

1	Pipe	S30408	6	Hand Lever	CF8	11	Body	CF8
2	Nut	S30408	7	Gland Nut	HPb59-1	12	Washer	PTFE
3	Adaptor	HPb59-1	8	Stem	S30408	13	Ball Lining	PTFE+C
4	Bonnet	CF8	9	Gasket	PTFE			
5	Nut	HPb59-1	10	Ball	S30408			

Model No.	Specifications & Dimensions (mm)									Weight(kg)
	H	H1	H2	W	D0	D1	D2	L	M	
DQS-25C13	198	45	115	123.5	Ø25	Ø25	Ø32	122.5	M36×2	

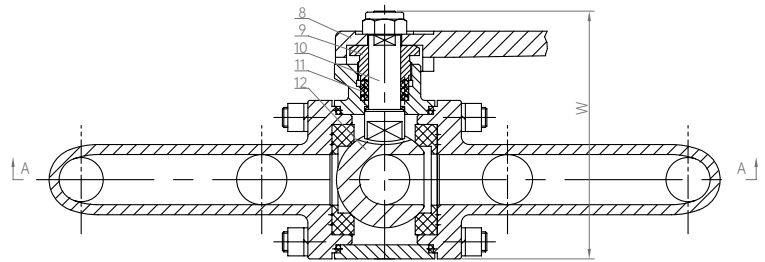
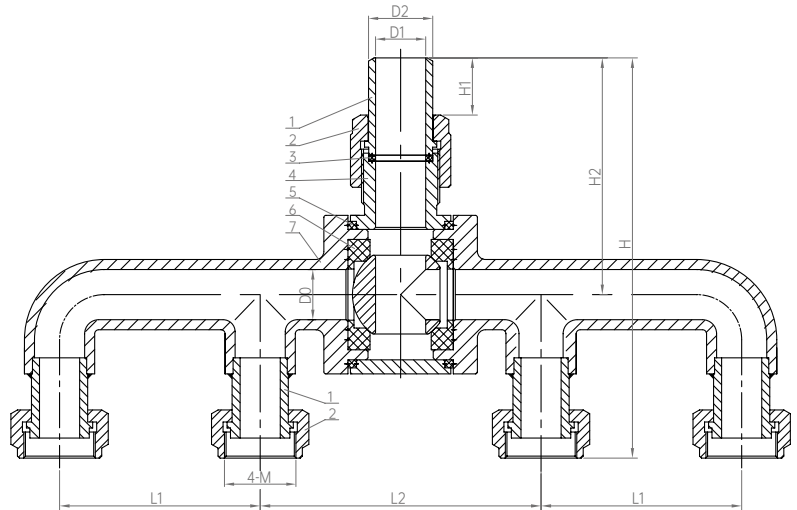
# Cryogenic Diverter Valve

## Parameters

PN: 4.0MPa  
DN: Ø25  
Design Temp.: -196°C ~+80°C  
Media: LNG, LO<sub>2</sub>, LN<sub>2</sub>, LAr, CO<sub>2</sub>



This kind of product has certified by CE, EAC, TS and CCS  
Standards: GB/T 24925, EN1626:2008, TR CU 032/2013



## Materials

1	Pipe	S30408	5	Washer	PTFE	9	Gland Nut	HPb59-1
2	Nut	HPb59-1	6	Ball Lining	PTFE+C	10	Stem	S30408
3	Gasket	PTFE	7	Bonnet	CF8	11	Gasket	PTFE
4	Body	CF8	8	Hand Lever	CF8	12	Ball	S30408

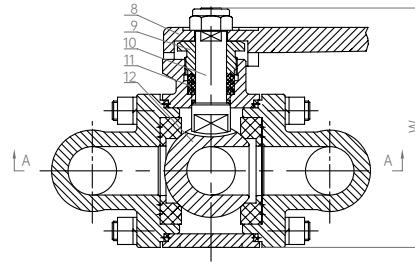
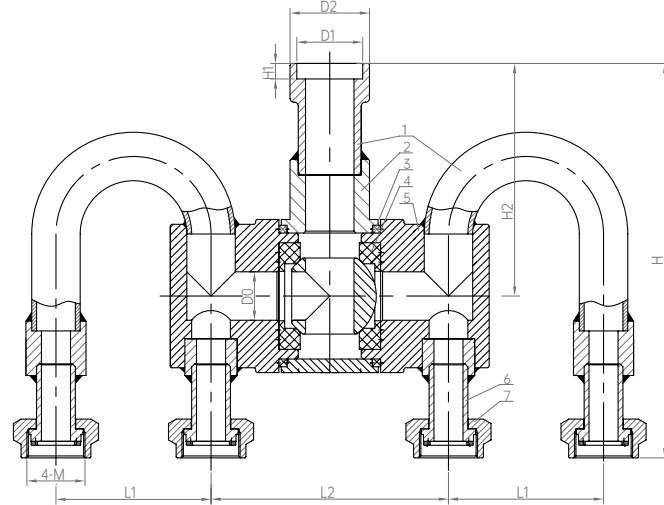
Model No.	Specifications & Dimensions (mm)										Weight(kg)
	H	H1	H2	W	D0	D1	D2	L1	L2	M	
DQS-25S2	199.5	28.5	118	123.5	Ø25	Ø25	Ø32	100	140	M36×2	2.7



# Cryogenic Diverter Valve

## Parameters

PN: 4.0MPa  
DN: Ø25  
Design Temp.: -196°C ~+80°C  
Media: LNG. LO<sub>2</sub>. LN<sub>2</sub>. LAr. CO<sub>2</sub>



This kind of product has certified by CE, EAC, TS and CCS  
Standards: GB/T 24925, EN1626:2008, TR CU 032/2013

## Materials

1	Pipe	S30408	5	Bonnet	CF8	9	Gland Nut	HPb59-1
2	Body	CF8	6	Pipe	S30408	10	Stem	S30408
3	Washer	PTFE	7	Nut	HPb59-1	11	Gasket	PTFE
4	Ball Lining	PTFE+C	8	Hand Lever	CF8	12	Ball	S30408

Model No.	Specifications & Dimensions (mm)										Weight(kg)
	H	H1	H2	D0	D1	D2	L1	L2	W	M	
DQS-25W	203.5	8	120	Ø25	Ø34	Ø41	80	122.5	123.5	M30×1.5	

# Cryogenic Diverter Valve

## Parameters

PN: 4.0MPa

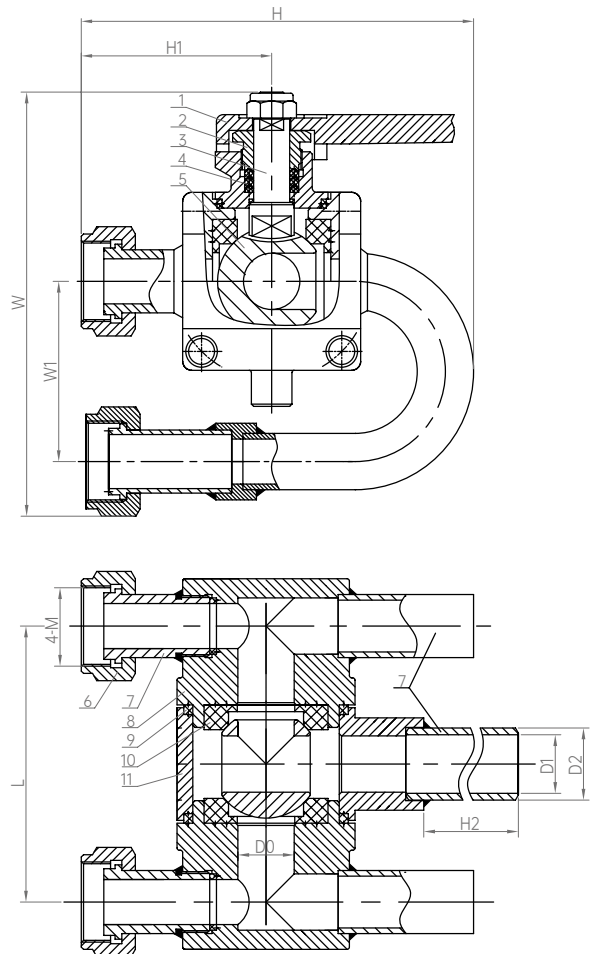
DN: Ø25

Design Temp.: -196°C ~+80°C

Media: LNG, LO<sub>2</sub>, LN<sub>2</sub>, LAr, CO<sub>2</sub>



This kind of product has certified by CE, EAC, TS and CCS  
Standards: GB/T 24925, EN1626:2008, TR CU 032/2013



## Materials

1	Hand Lever	CF8	5	Ball	S30408	9	Washer	PTFE
2	Gland Nut	HPb59-1	6	Nut	HPb59-1	10	Ball Lining	PTFE+C
3	Stem	S30408	7	Pipe	S30408	11	Body	CF8
4	Gasket	PTFE	8	Bonnet	CF8			

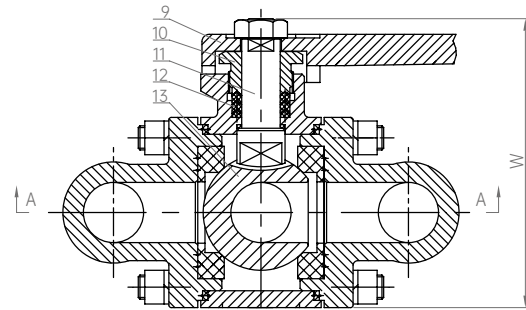
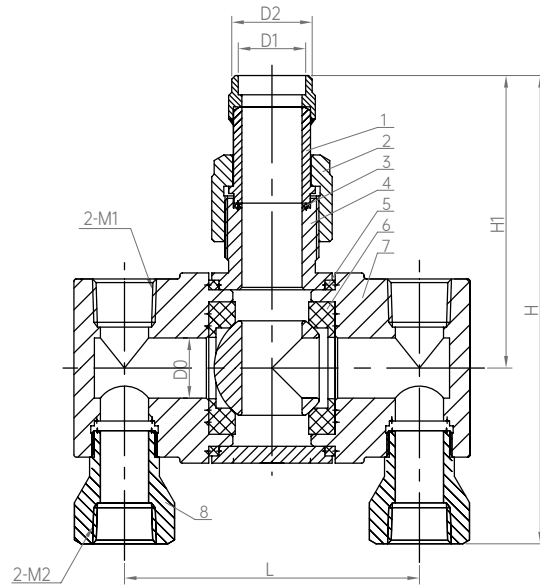
Model No.	Specifications & Dimensions (mm)										Weight (kg)
	H	H1	H2	W	W1	D0	D1	D2	L	M	
DQS-25W3	172	84.5	92	188	80	Ø25	Ø26	Ø32	122.5	M36×2	6.2



# Cryogenic Diverter Valve

## Parameters

PN: 4.0MPa  
DN: Ø25  
Design Temp.: -196°C ~+80°C  
Media: LNG. LO<sub>2</sub>. LN<sub>2</sub>. LAr. CO<sub>2</sub>



This kind of product has certified by CE, EAC, TS and CCS  
Standards: GB/T 24925, EN1626:2008, TR CU 032/2013

## Materials

1 Pipe	S30408	6 Ball Lining	PTFE+C	11 Stem	S30408
2 Nut	HPb59-1	7 Bonnet	CF8	12 Gasket	PTFE
3 Gasket	PTFE	8 Adaptor	S30408	13 Ball	S30408
4 Body	CF8	9 Hand Lever	CF8		
5 Washer	PTFE	10 Gland Nut	HPb59-1		

Model No.	Specifications & Dimensions (mm)									Weight(kg)
	H	H1	D0	D1	D2	L	W	M1	M2	
DQS-25Y2	194.5	121.5	Ø25	Ø28	Ø33.4	122.5	123.5	NPT3/4	NPT3/4	5.2
DQS-25Y3	196.5	121.5	Ø25	Ø28	Ø33.4	122.5	123.5	NPT3/4	NPT 1	5.2

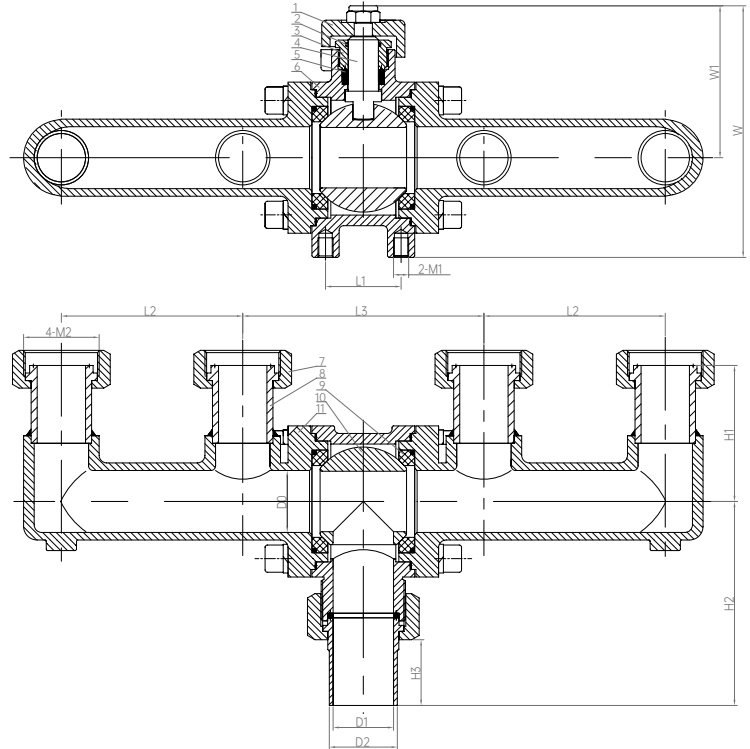
# Cryogenic Diverter Valve

## Parameters

PN: 4.0MPa  
DN: Ø40  
Design Temp.: -196°C ~+80°C  
Media: LNG, LO<sub>2</sub>, LN<sub>2</sub>, LAr, CO<sub>2</sub>



This kind of product has certified by CE, EAC, TS and CCS  
Standards: GB/T 24925, EN1626:2008, TR CU 032/2013



## Materials

1 Hand Lever	CF8	5 Gasket	PTFE	9 Ball Lining	PTFE+C
2 O Ring	Fluororubber	6 Body	CF8	10 Ball	S30408
3 Gland Nut	HPb59-1	7 Nut	HPb59-1	11 Bonnet	CF8
4 Stem	S30408	8 Pipe	S30408		

Model No.	Specifications & Dimensions (mm)													Weight(kg)
	W	W1	L1	L2	L3	H1	H2	H3	D0	D1	D2	M1	M2	
DQS-40.001	166.5	101	50	120	160	90	135	43.5	Ø40	Ø40	Ø45	M10×1.5	M50×2	11



# Cryogenic Diverter Valve

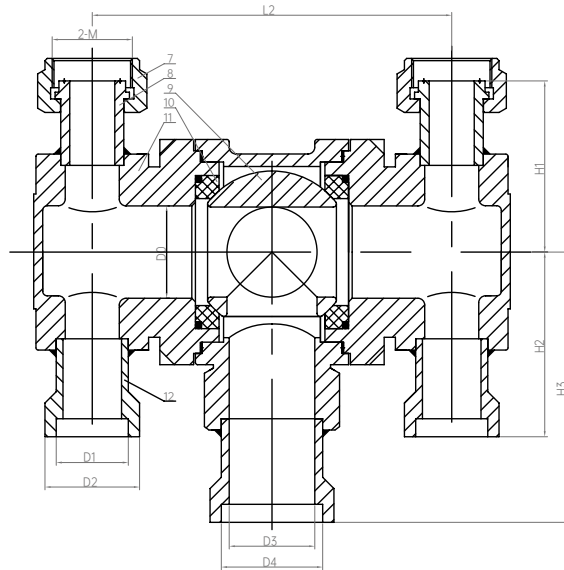
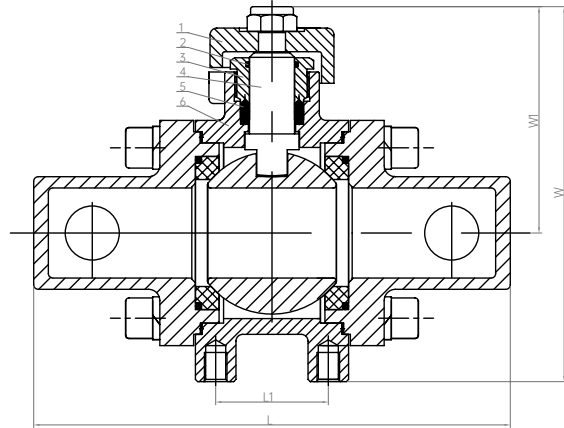
## Parameters

PN: 4.0MPa

DN: Ø40

Design Temp.: -196°C ~+80°C

Media: LNG, LO<sub>2</sub>, LN<sub>2</sub>, LAr, CO<sub>2</sub>



This kind of product has certified by CE, EAC, TS and CCS  
Standards: GB/T 24925, EN1626:2008, TR CU 032/2013

## Materials

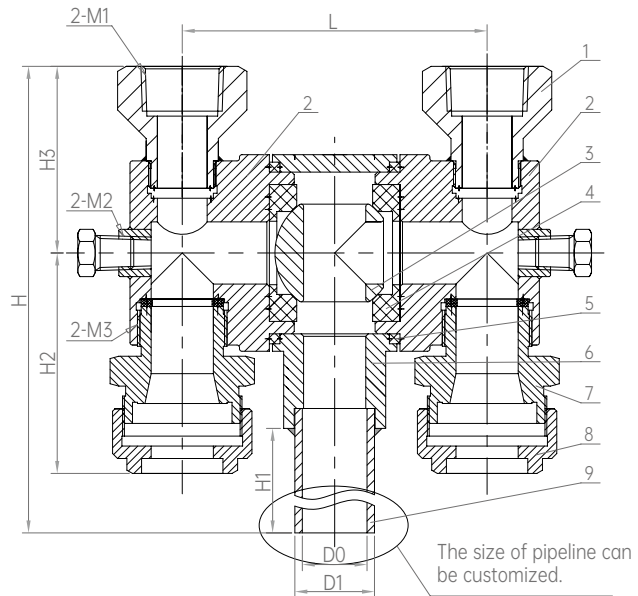
1	Hand Lever	CF8	5	Gasket	PTFE	9	Ball	S30408
2	O Ring	Fluororubber	6	Body	CF8	10	Ball Lining	PTFE+C
3	Gland Nut	HPb59-1	7	Nut	HPb59-1	11	Bonnet	CF8
4	Stem	S30408	8	Pipe	S30408	12	Adaptor	S30408

Model No.	Specifications & Dimensions (mm)														Weight(kg)
	W	W1	L	L1	L2	H1	H2	H3	D0	D1	D2	D3	D4	M	
DQS-40A	166.5	101	212	50	160	76	82	160	Ø40	Ø32	Ø42	Ø38	Ø45	M36×2	

# Cryogenic Diverter Valve

## Parameters

PN: 4.0MPa  
DN: Ø15~Ø25  
Design Temp.: -196°C ~+80°C  
Media: LNG. LO<sub>2</sub>. LN<sub>2</sub>. LAr. CO<sub>2</sub>



This kind of product has certified by CE, EAC, TS and CCS  
Standards: GB/T 24925, EN1626:2008, TR CU 032

## Materials

1	Adaptor	S30408	4	Ball Lining	PTFE+C	7	Adaptor	C36000
2	Bonnet	CF8	5	Gasket	PTFE	8	Nut	S30408
3	Ball	S30408	6	Body	CF8	9	Pipe	S30408

**Remarks:** The opening of hand wheel at any position will ensure the full flow of valve.

Model No.	Specifications & Dimensions (mm)											Weight(kg)
	H	H1	H2	H3	L	D0	D1	M1	M2	M3	Cv	
DQS-15.98	147.5	45	75	51.5	113	15	Ø18	NPT 1/2	NPT 1/4	NPT 1/2	7.1	
DQS-25.98	208	45	87	75	122.5	25	Ø32	NPT 1	NPT 1/4	M36×2	21	

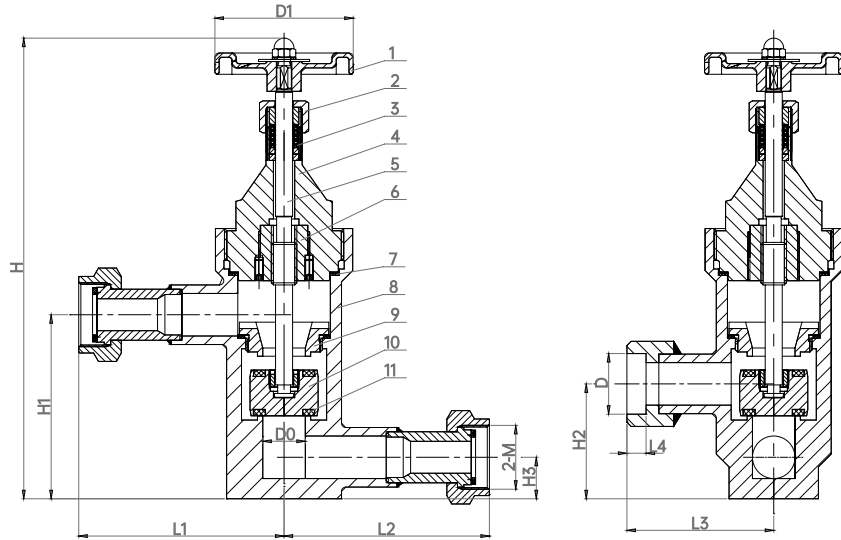


# Cryogenic Three-way Globe Valve

## Parameters

PN: 4.0MPa  
DN: Ø15  
Design Temp.: -196°C ~+80°C  
Media: LNG, LO<sub>2</sub>, LN<sub>2</sub>, LAr, CO<sub>2</sub>

Connection :  
Socket Weld / Thread Connection



This kind of product has certified by EAC  
Standards: GB/T 24925, TR CU 032/2013

## Materials

1	Hand Wheel	Y102	5	Stem	S30408	9	Upper Sealing Seat	HPb59-1
2	Gland Nut	S30408	6	Bushing	HPb59-1	10	Disc	HPb59-1
3	Washer	PTFE	7	Gasket	PTFE	11	Gasket	PTFE
4	Bonnet	CF8	8	Body	CF8			

Model No.	Specifications & Dimensions (mm)											Weight(kg)
	H	H1	H2	H3	L1	L2	L3	M	D	D0	D1	
DJS-15	216.5	86.5	54	19.5	96.5	96.5	9	M30×1.5	28.5	18	65	

# Cryogenic Three-way Globe Valve

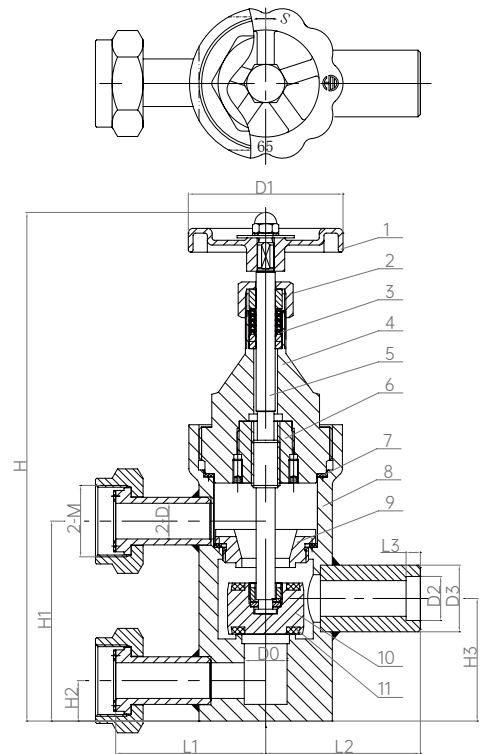
## Parameters

PN: 4.0MPa  
DN: Ø15  
Design Temp.: -196°C ~+80°C  
Media: LNG, LO<sub>2</sub>, LN<sub>2</sub>, LAr, CO<sub>2</sub>

Connection:  
Socket Weld / Thread Connection



This kind of product has certified by EAC  
Standards: GB/T 24925, TR CU 032/2013



## Materials

1	Hand Wheel	Y102	5	Stem	S30408	9	Upper Sealing Seat	HPb59-1
2	Gland Nut	S30408	6	Bushing	HPb59-1	10	Disc	HPb59-1
3	Washer	PTFE	7	Gasket	PTFE	11	Gasket	PTFE
4	Bonnet	CF8	8	Body	CF8			

Model No.	Specifications & Dimensions (mm)													Weight(kg)
	H	H1	H2	H3	L1	L2	L3	M	D	D0	D1	D2	D3	
DJS-15C	214	84	17	51.5	63	65	8	M30×1.5	15	18	65	18.5	28	



# Cryogenic Three-way Globe Valve

## Parameters

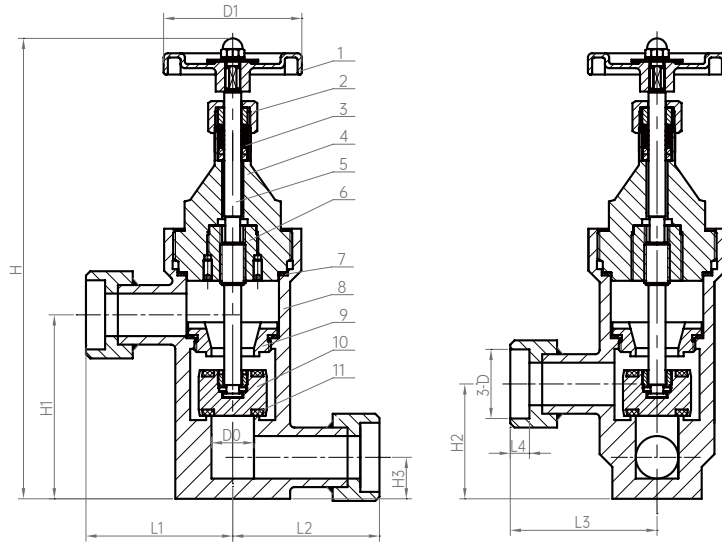
PN: 4.0MPa

DN: Ø25

Design Temp.: -196°C ~+80°C

Media: LNG, LO<sub>2</sub>, LN<sub>2</sub>, LAr, CO<sub>2</sub>

Connection : Socket Weld



This kind of product has certified by EAC  
Standards: GB/T 24925, TR CU 032/2013

## Materials

1	Hand Wheel	Y102	5	Stem	S30408	9	Upper Sealing Seat	HPb59-1
2	Gland Nut	S30408	6	Bushing	HPb59-1	10	Disc	HPb59-1
3	Washer	PTFE	7	Gasket	PTFE	11	Gasket	PTFE
4	Bonnet	CF8	8	Body	CF8			

Model No.	Specifications & Dimensions (mm)											Weight(kg)
	H	H1	H2	H3	L1	L2	L3	L4	D0	D	D1	
DJS-25A	216.5	86.5	54	19.5	69	69	69	9	18	28.5	65	
DJS-25A1	216.5	86.5	54	19.5	69	69	69	9	18	32.5	65	

# Cryogenic Three-way Globe Valve

## Parameters

PN: 4.0MPa

DN: Ø25

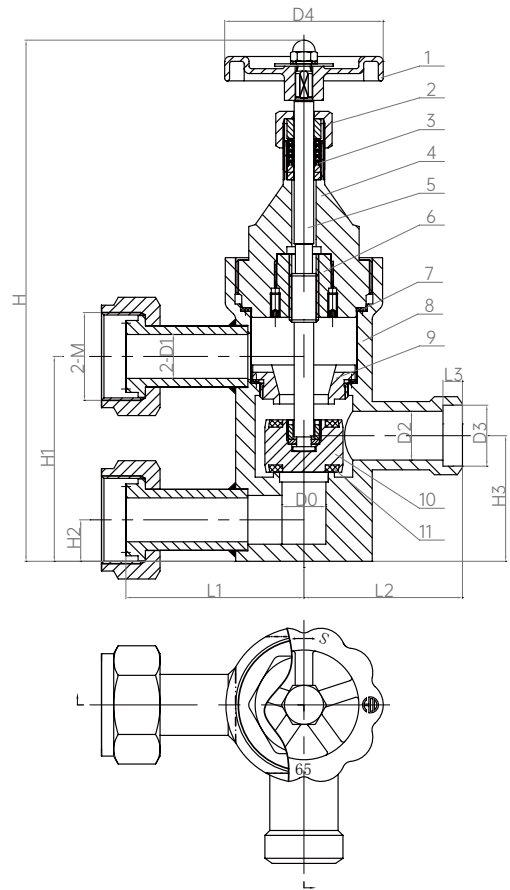
Design Temp.: -196°C ~+80°C

Media: LNG, LO<sub>2</sub>, LN<sub>2</sub>, LAr, CO<sub>2</sub>

Connection : Socket Weld



This kind of product has certified by EAC  
Standards: GB/T 24925, TR CU 032/2013



## Materials

1	Hand Wheel	Y102	5	Stem	S30408	9	Upper Sealing Seat	HPb59-1
2	Gland Nut	S30408	6	Bushing	HPb59-1	10	Disc	HPb59-1
3	Washer	PTFE	7	Gasket	PTFE	11	Gasket	PTFE
4	Bonnet	CF8	8	Body	CF8			

Model No.	Specifications & Dimensions (mm)													Weight(kg)
	H	H1	H2	H3	L1	L2	L3	M	D0	D1	D2	D3	D4	
DJS-25B	214	84	17	51.5	73	65	8	M36×2	18	18	20	25.5	65	



Shanghai Baitu  
Cryogenic Valve.Co.,Ltd.

Cryogenic Valve Solutions  
Worth Your Trust



Add: Building 5, No.428, Changhong Road, Baoshan District, Shanghai, China

E-mail: [sales@baituvalves.com](mailto:sales@baituvalves.com)

Website: [www.baituvalves.com](http://www.baituvalves.com)