

BAITU CRYOGENIC VALVE

Cryogenic Transportation &
Storage Equipment/
LNG Filling Station



Cryogenic Valve Solutions
Worth Your Trust



Shanghai Baitu
Cryogenic Valve.Co.,Ltd.

www.baituvalves.com





Product Contents

Vacuum Jacketed Valve

DZJ-15~DZJ-50	224
DZJ-15K~DZJ-50K	225
DZJ-15Y	226
DZJ-40J~DZJ-50J	227
DZJ-65	228
DZJ-65A1	229
DZH-15C~DZH-50C	230
DZH-25K~DZH-50K	231
DZH-25S	232
DZH-40J	233
DZH-40JS	234
DZH-40JS1	235
DZH-50J(001)	236
DZQ-15C~DZQ-50C	237
DZQ-25K~DZQ-50K	238
DZQ-25K1~DZQ-50K1	239
DZQ-25K2~DZQ-50K2	240
DZQ-25S	241
DZQ-65~DZQ-65B2	242
DZQ-65C	243





Cryogenic Globe Valve Vacuum Jacketed

Parameters

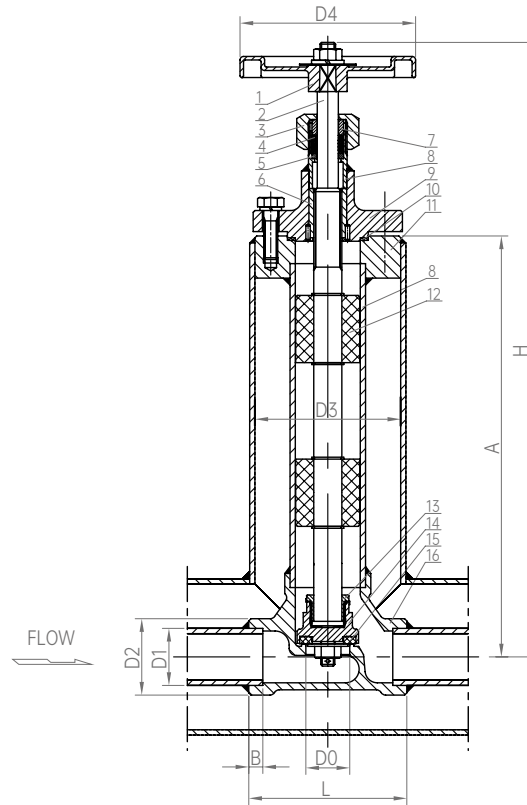
PN: 4.0MPa

DN: Ø15~Ø50

Design Temp.: -196°C ~+80°C

Media: LNG, LO₂, LN₂, LAr, CO₂

Connection : Socket Weld



This kind of product has certified by EAC and TS
Standards: GB/T 24925, TR CU 032/2013

Materials

1	Hand Wheel	Y102	7	Gland	HPb59-1	13	Connecting Nut	S30408
2	Stem	S30408	8	Connecting Pipe	S30408	14	Disc	S30408
3	Gland Nut	S30408	9	Bonnet	CF8	15	Disc Sealing	PCTFE
4	Washer	PTFE	10	Washer	RPTFE	16	Body	CF8
5	Washer	HPb59-1	11	Flange	S30408			
6	Bushing	HPb59-1	12	Pilot Sleeve	PTFE			

Model No.	Specifications & Dimensions (mm)										Weight(kg)
	H Opening	H Closing	A	B	L	D0	D1	D2	D3	D4	
DZJ-15	359	345	250	6	65	Ø15	Ø18.5	Ø29.5	Ø63	Ø80	2.2
DZJ-25	364	349	240	8	90	Ø25	Ø32.5	Ø43.5	Ø82	Ø100	
DZJ-32	370	357	250	8	105	Ø32	Ø38.5	Ø53	Ø101	Ø100	
DZJ-40	434	416	286.5	8	120	Ø40	Ø45.5	Ø62	Ø101	Ø125	
DZJ-50	436	421	290	10	140	Ø50	Ø57.5	Ø72	Ø126	Ø140	

Cryogenic Globe Valve Vacuum Jacketed

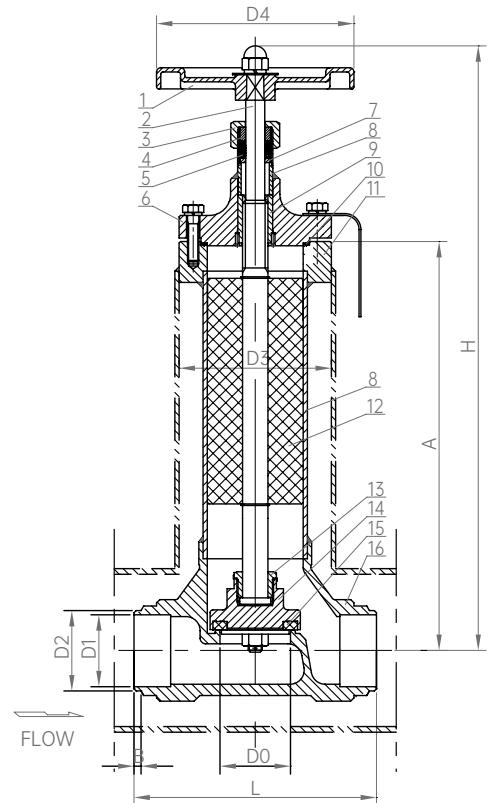
Parameters

PN: 4.0MPa
DN: Ø15~Ø50
Design Temp.: -196°C ~+80°C
Media: LNG, LO₂, LN₂, LAr, CO₂

Connection : Butt Weld



This kind of product has certified by EAC and TS
Standards: GB/T 24925, TR CU 032/2013



Materials

1 Hand Wheel	Y102	7 Washer	HPb59-1	13 Connecting Nut	S30408
2 Stem	S30408	8 Connecting Pipe	S30408	14 Disc	S30408
3 Gland Nut	S30408	9 Bushing	HPb59-1	15 Disc Sealing	PCTFE
4 Gland	HPb59-1	10 Washer	RPTFE	16 Body	CF8
5 Washer	PTFE	11 Flange	S30408		
6 Bonnet	CF8	12 Pilot Sleeve	PTFE		

Model No.	Specifications & Dimensions (mm)										Weight(kg)
	H Opening	H Closing	A	B	L	D0	D1	D2	D3	D4	
DZJ-15K	359	345	250	6	65	Ø15	Ø14	Ø18	Ø63	Ø80	2.2
DZJ-25K	364	349	240	8	90	Ø25	Ø27	Ø32	Ø82	Ø100	
DZJ-32K	370	357	250	8	105	Ø32	Ø32	Ø38	Ø101	Ø100	
DZJ-40K	434	416	286.5	8	120	Ø40	Ø39	Ø45	Ø101	Ø125	
DZJ-50K	436	421	290	10	140	Ø50	Ø51	Ø57	Ø126	Ø140	



Cryogenic Globe Valve Vacuum Jacketed

Parameters

PN: 4.0MPa

DN: Ø15

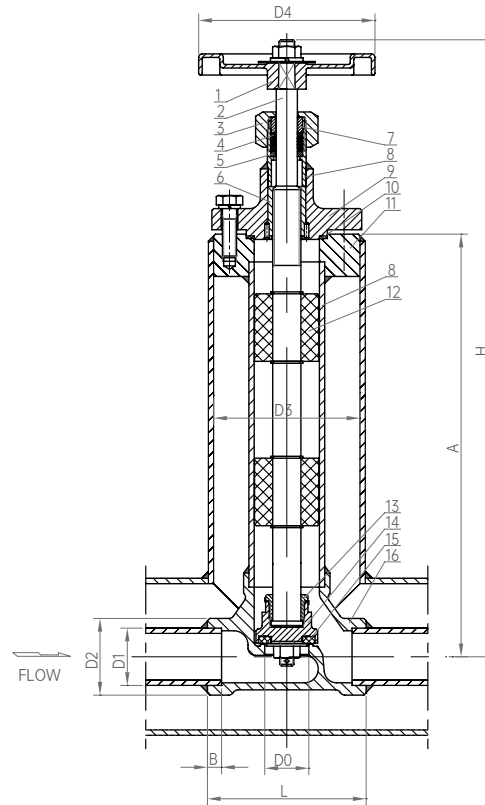
Design Temp.: -196°C ~+80°C

Media: LNG, LO₂, LN₂, LAr, CO₂

Connection : Socket Weld



This kind of product has certified by EAC and TS
Standards: GB/T 24925, TR CU 032/2013



Materials

1	Hand Wheel	Y102	7	Gland	HPb59-1	13	Connecting Nut	S30408
2	Stem	S30408	8	Connecting Pipe	S30408	14	Disc	S30408
3	Gland Nut	S30408	9	Bonnet	CF8	15	Disc Sealing	PCTFE
4	Washer	PTFE	10	Washer	RPTFE	16	Body	CF8
5	Washer	HPb59-1	11	Flange	S30408			
6	Bushing	HPb59-1	12	Pilot Sleeve	PTFE			

Model No.	Specifications & Dimensions (mm)										Weight(kg)
	H Opening	H Closing	A	B	L	D0	D1	D2	D3	D4	
DZJ-15Y	359	345	250	6	65	Ø15	Ø22.2	Ø29.5	Ø63	Ø80	2.2

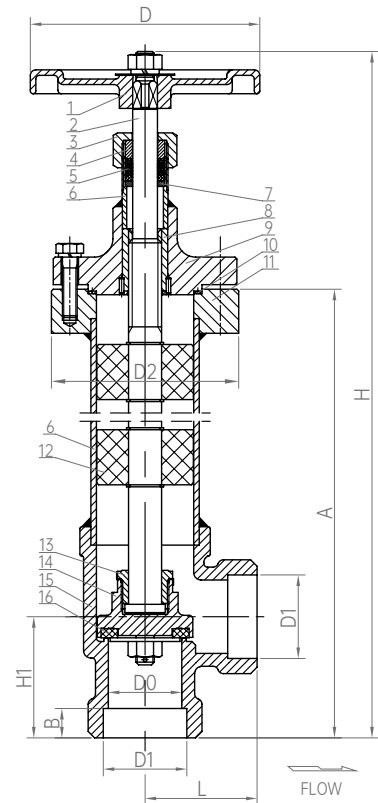
Cryogenic Globe Valve Vacuum Jacketed Angle Type

Parameters

PN: 4.0MPa
 DN: Ø40~Ø50
 Design Temp.: -196°C ~+80°C
 Media: LNG, LO₂, LN₂, LAr, CO₂
 Connection : Socket Weld



This kind of product has certified by EAC and TS
 Standards: GB/T 24925, TR CU 032/2013



Materials

1	Hand Wheel	Y102	7	Washer	HPb59-1	13	Connecting Nut	S30408
2	Stem	S30408	8	Bushing	HPb59-1	14	Disc	S30408
3	Gland Nut	S30408	9	Bonnet	CF8	15	Body	CF8
4	Gland	HPb59-1	10	Washer	RCTFE	16	Disc Sealing	PCTFE
5	Washer	PTFE	11	Flange	S30408			
6	Connecting Pipe	S30408	12	Pilot Sleeve	PTFE			

Model No.	Specifications & Dimensions (mm)										Weight(kg)
	H Opening	H Closing	A	B	L	D0	D1	D2	D3	D4	
DZJ-40J	479.5	465	66	336	15	61	Ø125	Ø40	Ø45.5	Ø101	
DZJ-50J	490.5	475.5	70	334.5	15	70	Ø140	Ø50	Ø57.5	Ø126	



Cryogenic Globe Valve Vacuum Jacketed

Parameters

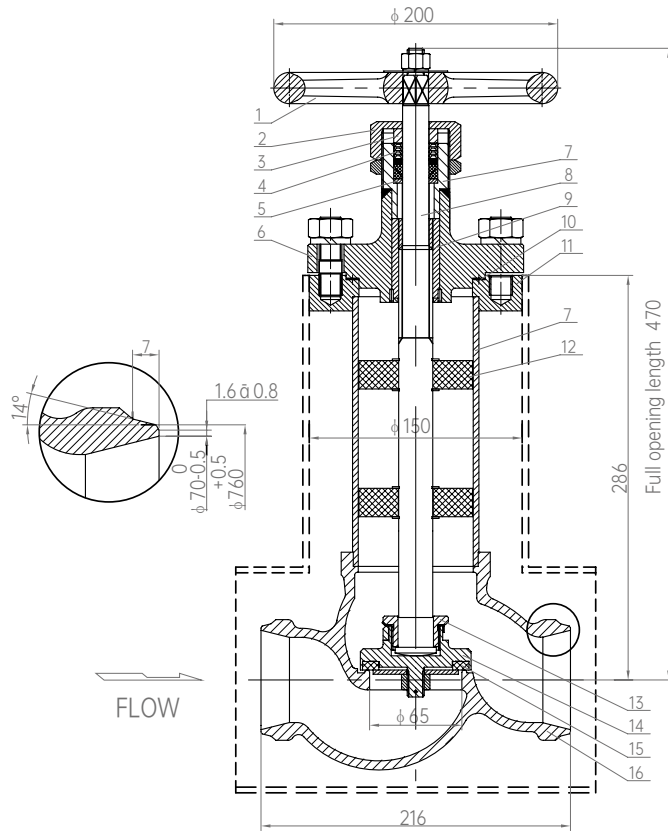
PN: 2.0MPa

DN: Ø65

Design Temp.: -196°C ~+80°C

Media: LNG, LO₂, LN₂, LAr, CO₂

Connection : Butt Weld



Model No.: DZJ-65



This kind of product has certified by EAC and TS
Standards: GB/T 24925, TR CU 032/2013

Materials

1 Hand Wheel	Y102	7 Connecting Pipe	S30408	13 Connecting Nut	S30408
2 Gland Nut	S30408	8 Stem	S30408	14 Disc	S30408
3 Gland	HPb59-1	9 Bushing	HPb59-1	15 Disc Sealing	PCTFE
4 Washer	PTFE	10 Washer	RPTFE	16 Body	CF8
5 Washer	HPb59-1	11 Flange	S30408		
6 Bonnet	CF8	12 Pilot Sleeve	PTFE		

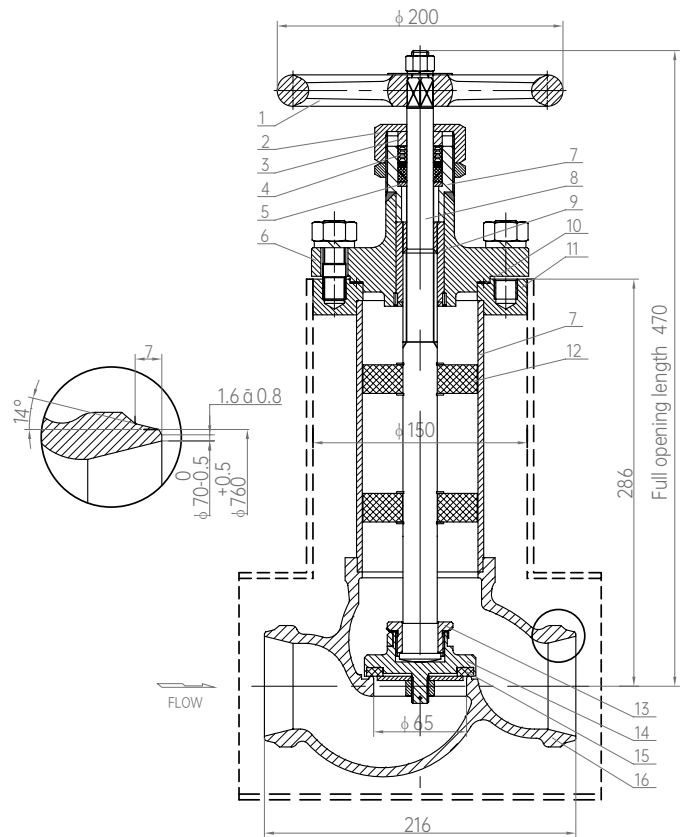
Cryogenic Globe Valve Vacuum Jacketed

Parameters

PN: 4.0MPa
DN: Ø65
Design Temp.: -196°C ~+80°C
Media: LNG, LO₂, LN₂, LAr, CO₂
Connection : Butt Weld



This kind of product has certified by EAC and TS
Standards: GB/T 24925, TR CU 032/2013



Model No.: DZJ-65A1

Materials

1 Hand Wheel	Y102	7 Connecting Pipe	S30408	13 Connecting Nut	S30408
2 Gland Nut	S30408	8 Stem	S30408	14 Disc	S30408
3 Gland	HPb59-1	9 Bushing	HPb59-1	15 Disc Sealing	PCTFE
4 Washer	PTFE	10 Washer	RPTFE	16 Body	CF8
5 Washer	HPb59-1	11 Flange	S30408		
6 Bonnet	CF8	12 Pilot Sleeve	PTFE		



Cryogenic Check Valve Vacuum Jacketed

Parameters

PN: 4.0MPa

DN: Ø15~Ø50

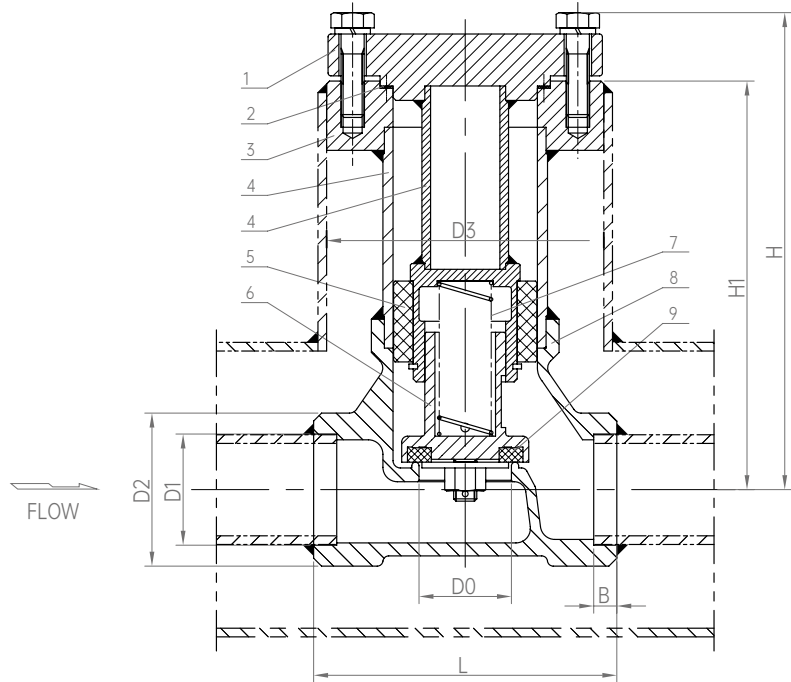
Design Temp.: -196°C ~+80°C

Media: LNG, LO₂, LN₂, LAr, CO₂

Connection : Socket Weld



This kind of product has certified by EAC and TS
Standards: GB/T 24925, TR CU 032/2013



Materials

1	Bonnet	S30408	4	Connecting Pipe	S30408	7	Spring	S30210
2	Washer	RPTFE	5	Pilot Sleeve	PTFE	8	Body	CF8
3	Flange	S30408	6	Disc	S30408	9	Disc Sealing	PCTFE

Model No.	Specifications & Dimensions (mm)								Weight(kg)
	H	H1	B	L	D0	D1	D2	D3	
DZH-15C	202	181	6	65	Ø15	Ø18.5	Ø29.5	Ø63	
DZH-25C	262.5	240	8	90	Ø25	Ø32.5	Ø43.5	Ø82	3.2
DZH-32C	273.5	250	8	105	Ø32	Ø38.5	Ø53	Ø101	
DZH-40C	310	286	8	120	Ø40	Ø45.5	Ø62	Ø101	
DZH-50C	315.5	290	10	140	Ø50	Ø57.5	Ø72	Ø126	

Cryogenic Check Valve Vacuum Jacketed

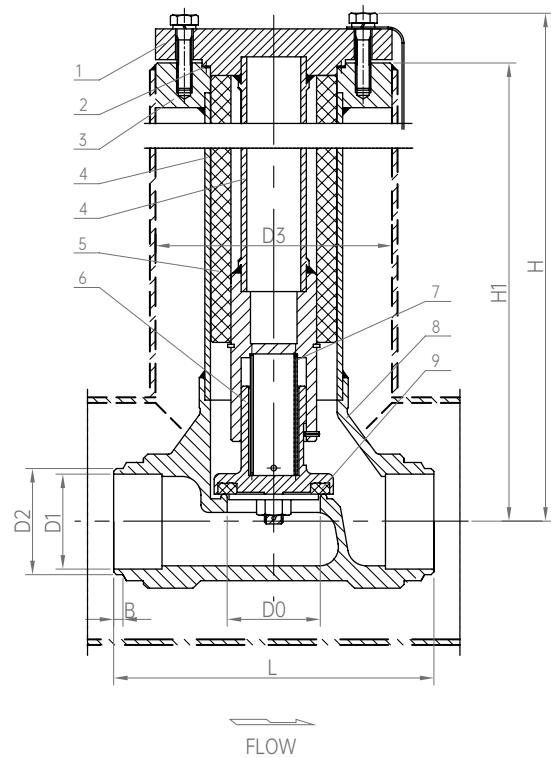
Parameters

PN: 4.0MPa
DN: Ø25~Ø50
Design Temp.: -196°C ~+80°C
Media: LNG, LO₂, LN₂, LAr, CO₂

Connection : Butt Weld



This kind of product has certified by EAC and TS
Standards: GB/T 24925, TR CU 032/2013



Materials

1	Bonnet	S30408	4	Connecting Pipe	S30408	7	Spring	S30210
2	Washer	RPTFE	5	Pilot Sleeve	PTFE	8	Body	CF8
3	Flange	S30408	6	Disc	S30408	9	Disc Sealing	PCTFE

Model No.	Specifications & Dimensions (mm)								Weight(kg)
	H	H1	B	L	D0	D1	D2	D3	
DZH-25K	262.5	240	8	90	Ø25	Ø27	Ø32	Ø82	
DZH-32K	273.5	250	8	105	Ø32	Ø32	Ø38	Ø101	
DZH-40K	310	286.5	8	120	Ø40	Ø39	Ø45	Ø101	
DZH-50K	315.5	290	10	140	Ø50	Ø51	Ø57	Ø126	



Cryogenic Check Valve Vacuum Jacketed

Parameters

PN: 4.0MPa

DN: Ø25

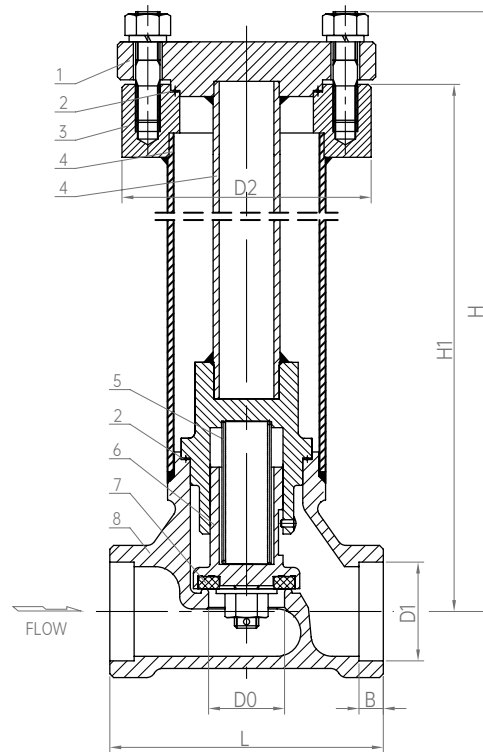
Design Temp.: -196°C ~+80°C

Media: LNG, LO₂, LN₂, LAr, CO₂

Connection : Socket Weld



This kind of product has certified by EAC and TS
Standards: GB/T 24925, TR CU 032/2013



Materials

1	Bonnet	S30408	5	Spring	S30210
2	Washer	RPTFE	6	Disc	S30408
3	Flange	S30408	7	Disc Sealing	PCTFE
4	Connecting Pipe	S30408	8	Body	CF8

Model No.	Specifications & Dimensions (mm)							Weight(kg)
	H	H1	L	D0	D1	D2	B	
DZH-25S	270	250	90	Ø25	Ø32.5	Ø82	8	

Cryogenic Check Valve Angel Type Vacuum Jacketed

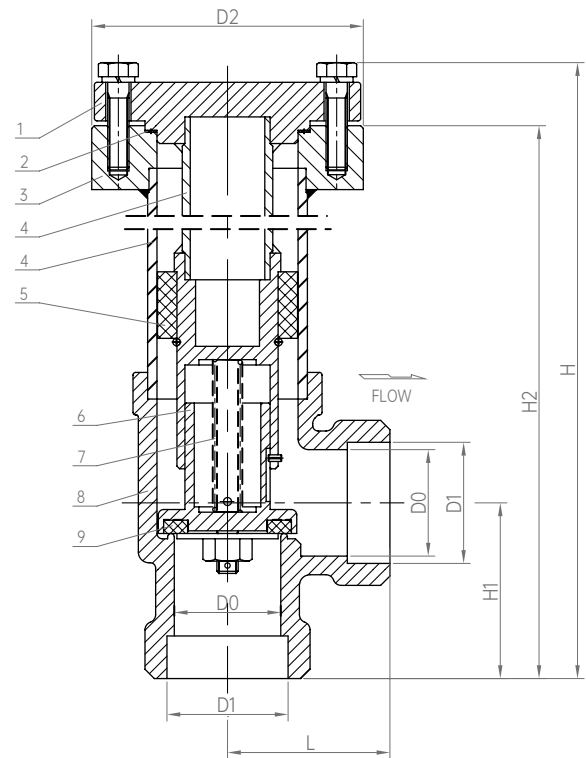
Parameters

PN: 4.0MPa
DN: Ø40
Design Temp.: -196°C ~+80°C
Media: LNG, LO₂, LN₂, LAr, CO₂

Connection : Socket Weld



This kind of product has certified by EAC and TS
Standards: GB/T 24925, TR CU 032/2013



Materials

1 Bonnet	S30408	4 Connecting Pipe	S30408	7 Spring	S30210
2 Washer	RPTFE	5 Pilot Sleeve	PTFE	8 Body	CF8
3 Flange	S30408	6 Disc	S30408	9 Disc Sealing	PCTFE

Model No.	Specifications & Dimensions (mm)								Weight(kg)
	H	H1	H2	L	B	D0	D1	D2	
DZH-40J	350	66	329	61	15	Ø40	Ø45.5	Ø101	



Cryogenic Check Valve AngelType Vacuum Jacketed

Parameters

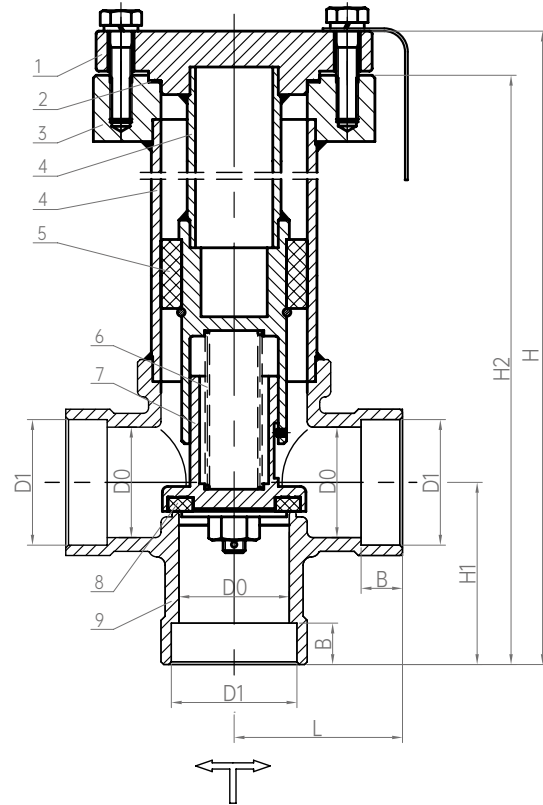
PN: 4.0MPa

DN: Ø40

Design Temp.: -196°C ~+80°C

Media: LNG, LO₂, LN₂, LAr, CO₂

Connection : Socket Weld



This kind of product has certified by EAC and TS
Standards: GB/T 24925, TR CU 032/2013

Materials

1 Bonnet	S30408	4 Connecting Pipe	S30408	7 Disc	S30408
2 Washer	RPTFE	5 Pilot Sleeve	PTFE	8 Disc Sealing	PCTFE
3 Flange	S30408	6 Spring	S30210	9 Body	CF8

Model No.	Specifications & Dimensions (mm)							Weight(kg)
	H	H1	H2	L	D0	D1	B	
DZH-40JS	345	66	329	61	Ø40	Ø45.5	15	

Cryogenic Check Valve Angel Type Vacuum Jacketed

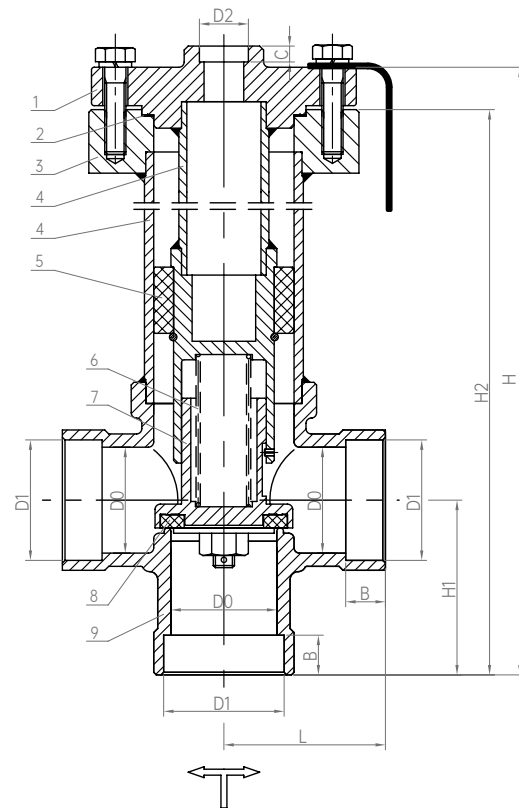
Parameters

PN: 4.0MPa
DN: Ø40
Design Temp.: -196°C ~+80°C
Media: LNG, LO₂, LN₂, LAr, CO₂

Connection : Socket Weld



This kind of product has certified by EAC and TS
Standards: GB/T 24925, TR CU 032/2013



Materials

1 Bonnet	S30408	4 Connecting Pipe	S30408	7 Disc	S30408
2 Washer	RPTFE	5 Pilot Sleeve	PTFE	8 Disc Sealing	PCTFE
3 Flange	S30408	6 Spring	S30210	9 Body	CF8

Model No.	Specifications & Dimensions (mm)									Weight(kg)
	H	H1	H2	L	D0	D1	D2	B	C	
DZH-40JS1	345	66	329	61	Ø40	Ø45.5	Ø18.5	15	6	



Cryogenic Check Valve Angel Type Vacuum Jacketed

Parameters

PN: 4.0MPa

DN: Ø50

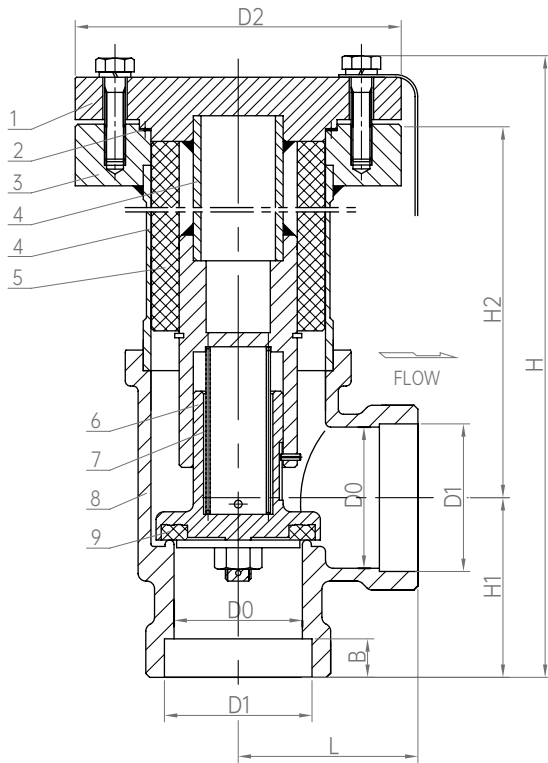
Design Temp.: -196°C ~+80°C

Media: LNG, LO₂, LN₂, LAr, CO₂

Connection : Socket Weld



This kind of product has certified by EAC and TS
Standards: GB/T 24925, TR CU 032/2013



Materials

1 Bonnet	S30408	4 Connecting Pipe	S30408	7 Spring	S30210
2 Washer	RPTFE	5 Pilot Sleeve	PTFE	8 Body	CF8
3 Flange	S30408	6 Disc	S30408	9 Disc Sealing	PCTFE

Model No.	Specifications & Dimensions (mm)								Weight(kg)
	H	H1	H2	L	D0	D1	D2	B	
DZH-50J(001)	319.7	70	275.5	70	Ø50	Ø57.5	Ø126	15	

Emergency Shut-off Valve Vacuum Jacketed

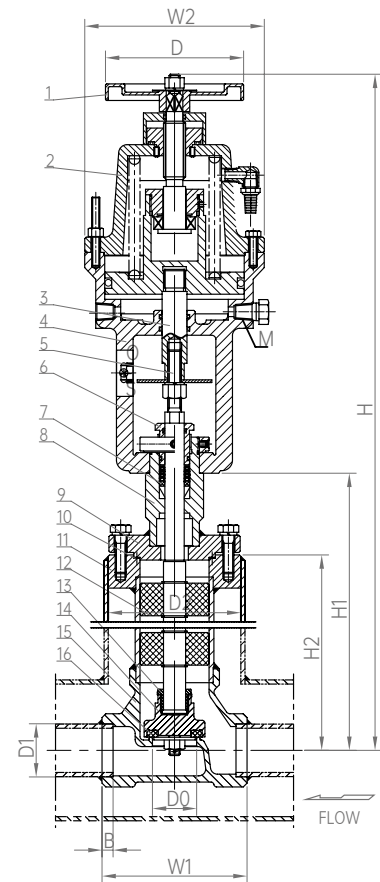
Parameters

PN: 4.0MPa
DN: Ø15~Ø50
Design Temp.: -196°C ~+80°C
Media: LNG, LO₂, LN₂, LAr, CO₂

Connection : Socket Weld



This kind of product has certified by EAC and TS
Standards: GB/T 24918, TR CU 032/2013



Materials

1	Hand Wheel	Y102	7	Washer	PTFE	13	Connecting Nut	S30408
2	Cylinder Cover	ZL104	8	Gland Packings	S30408	14	Disc	S30408
3	Connecting Shaft	S30408	9	Bonnet	S30408	15	Body	S30408
4	Cylinder	ZL104	10	Washer	RPTFE	16	Disc Sealing	PCTFE
5	Stem	S30408	11	Flange	S30408			
6	Gland Nut	S30408	12	Pilot Sleeve	PTFE			

Model No.	Specifications & Dimensions (mm)											Weight(kg)
	H	H1	H2	W	W1	W2	B	M	D0	D1	D2	
DZQ-15C	535	237	181	Ø100	65	Ø130	6	Rc1/4	Ø15	Ø18.5	Ø63	6.7
DZQ-25C	600.5	302.5	240	Ø100	90	Ø130	8	Rc1/4	Ø25	Ø32.5	Ø82	7.3
DZQ-32C	609.5	311.5	250	Ø100	105	Ø130	8	Rc1/4	Ø32	Ø38.5	Ø101	
DZQ-40C	691.5	343.5	286.5	Ø125	120	Ø160	8	Rc1/4	Ø40	Ø45.5	Ø101	
DZQ-50C	697.5	349.5	290	Ø125	140	Ø160	10	Rc1/4	Ø50	Ø57.5	Ø126	



Emergency Shut-off Valve Vacuum Jacketed

Parameters

PN: 1.6MPa

DN: Ø25~Ø50

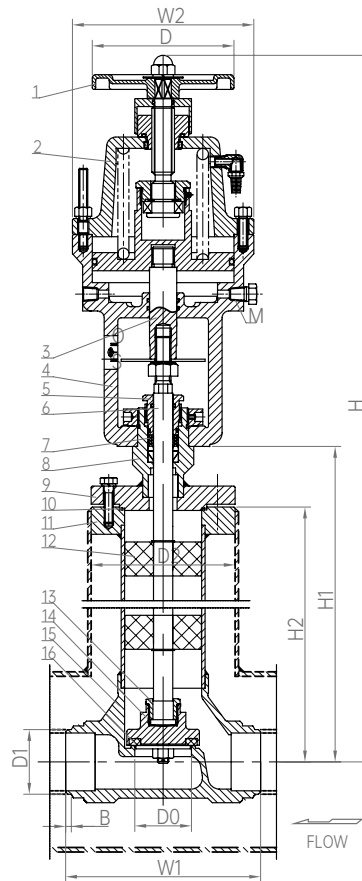
Design Temp.: -196°C ~+80°C

Media: LNG, LO₂, LN₂, LAr, CO₂

Connection : Butt Weld



This kind of product has certified by EAC and TS
Standards: GB/T 24918, TR CU 032/2013



Materials

1	Hand Wheel	Y102	7	Washer	PTFE	13	Connecting Nut	S30408
2	Cylinder Cover	ZL104	8	Gland Packings	S30408	14	Disc	S30408
3	Connecting Shaft	S30408	9	Bonnet	S30408	15	Body	S30408
4	Cylinder	ZL104	10	Washer	RPTFE	16	Disc Sealing	PCTFE
5	Stem	S30408	11	Flange	S30408			
6	Gland Nut	S30408	12	Pilot Sleeve	PTFE			

Model No.	Specifications & Dimensions (mm)											Weight(kg)
	H	H1	H2	W	W1	W2	B	M	D0	D1	D2	
DZQ-25K	600.5	302.5	240	Ø100	90	Ø130	8	Rc1/4	Ø25	Ø32	Ø82	
DZQ-32K	609.5	311.5	250	Ø100	105	Ø130	8	Rc1/4	Ø32	Ø38	Ø101	
DZQ-40K	691.5	343.5	286.5	Ø125	120	Ø160	8	Rc1/4	Ø40	Ø45	Ø101	
DZQ-50K	697.5	349.5	290	Ø125	140	Ø160	10	Rc1/4	Ø50	Ø57	Ø126	

Emergency Shut-off Valve Vacuum Jacketed

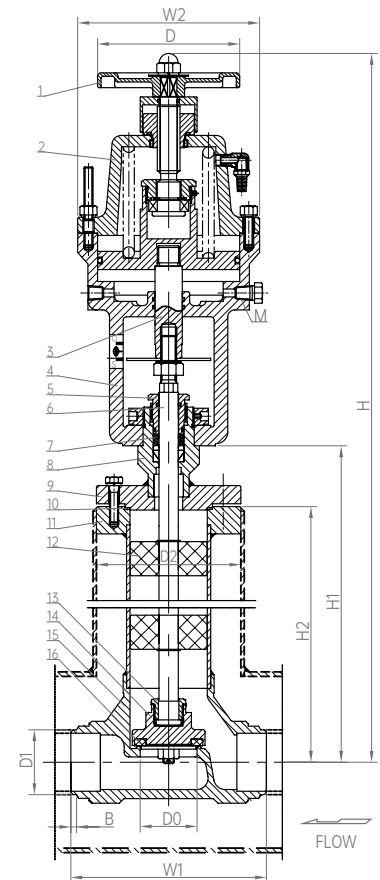
Parameters

PN: 2.5MPa
DN: Ø25~Ø50
Design Temp.: -196°C ~+80°C
Media: LNG, LO₂, LN₂, LAr, CO₂

Connection : Butt Weld



This kind of product has certified by EAC and TS
Standards: GB/T 24918, TR CU 032/2013



Materials

1	Hand Wheel	Y102	7	Washer	PTFE	13	Connecting Nut	S30408
2	Cylinder Cover	ZL104	8	Gland Packings	S30408	14	Disc	S30408
3	Connecting Shaft	S30408	9	Bonnet	S30408	15	Body	S30408
4	Cylinder	ZL104	10	Washer	RPTFE	16	Disc Sealing	PCTFE
5	Stem	S30408	11	Flange	S30408			
6	Gland Nut	S30408	12	Pilot Sleeve	PTFE			

Model No.	Specifications & Dimensions (mm)											Weight(kg)
	H	H1	H2	W	W1	W2	B	M	D0	D1	D2	
DZQ-25K1	600.5	302.5	240	Ø100	90	Ø130	8	Rc1/4	Ø25	Ø32	Ø82	
DZQ-32K1	609.5	311.5	250	Ø100	105	Ø130	8	Rc1/4	Ø32	Ø38	Ø101	
DZQ-40K1	691.5	343.5	286.5	Ø125	120	Ø160	8	Rc1/4	Ø40	Ø45	Ø101	
DZQ-50K1	697.5	349.5	290	Ø125	140	Ø160	10	Rc1/4	Ø50	Ø57	Ø126	



Emergency Shut-off Valve Vacuum Jacketed

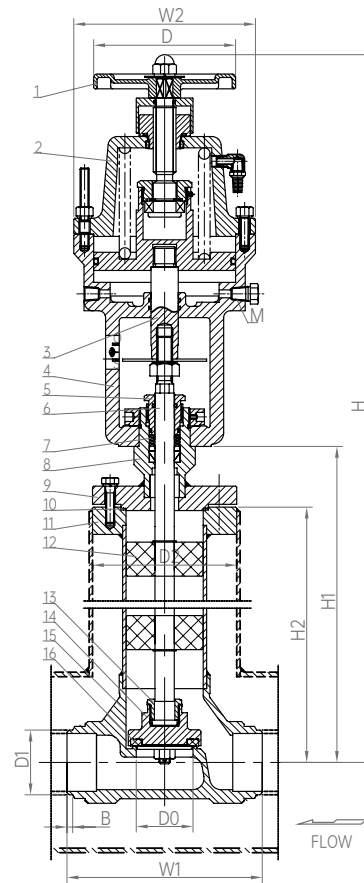
Parameters

PN: 4.0MPa
DN: Ø25~Ø50
Design Temp.: -196°C ~+80°C
Media: LNG, LO₂, LN₂, LAr, CO₂

Connection : Butt Weld



This kind of product has certified by EAC and TS
Standards: GB/T 24918, TR CU 032/2013



Materials

1	Hand Wheel	Y102	7	Washer	PTFE	13	Connecting Nut	S30408
2	Cylinder Cover	ZL104	8	Gland Packings	S30408	14	Disc	S30408
3	Connecting Shaft	S30408	9	Bonnet	S30408	15	Body	S30408
4	Cylinder	ZL104	10	Washer	RPTFE	16	Disc Sealing	PCTFE
5	Stem	S30408	11	Flange	S30408			
6	Gland Nut	S30408	12	Pilot Sleeve	PTFE			

Model No.	Specifications & Dimensions (mm)											Weight(kg)
	H	H1	H2	W	W1	W2	B	M	D0	D1	D2	
DZQ-25K2	600.5	302.5	240	Ø100	90	Ø130	8	Rc1/4	Ø25	Ø32	Ø82	
DZQ-32K2	609.5	311.5	250	Ø100	105	Ø130	8	Rc1/4	Ø32	Ø38	Ø101	
DZQ-40K2	691.5	343.5	286.5	Ø125	120	Ø160	8	Rc1/4	Ø40	Ø45	Ø101	
DZQ-50K2	697.5	349.5	290	Ø125	140	Ø160	10	Rc1/4	Ø50	Ø57	Ø126	

Emergency Shut-off Valve Vacuum Jacketed

Parameters

PN: 1.6MPa

DN: Ø25

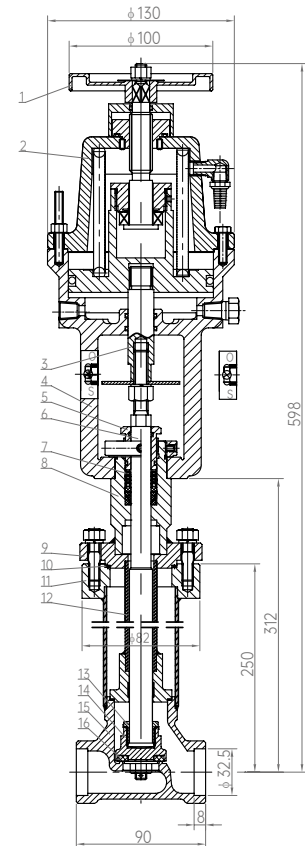
Design Temp.: -196°C ~+80°C

Media: LNG, LO₂, LN₂, LAr, CO₂

Connection : Socket Weld



This kind of product has certified by EAC and TS
Standards: GB/T 24918, TR CU 032/2013



Model No.: DZQ-25S

Materials

1	Hand Wheel	Y102	7	Washer	PTFE	13	Connecting Nut	S30408
2	Cylinder Cover	ZL104	8	Gland Packings	S30408	14	Disc	S30408
3	Connecting Shaft	S30408	9	Bonnet	S30408	15	Body	S30408
4	Cylinder	ZL104	10	Washer	RPTFE	16	Disc Sealing	PCTFE
5	Stem	S30408	11	Flange	S30408			
6	Gland Nut	S30408	12	Pilot Sleeve	PTFE			



Emergency Shut-off Valve Vacuum Jacketed

Parameters

DN: Ø65

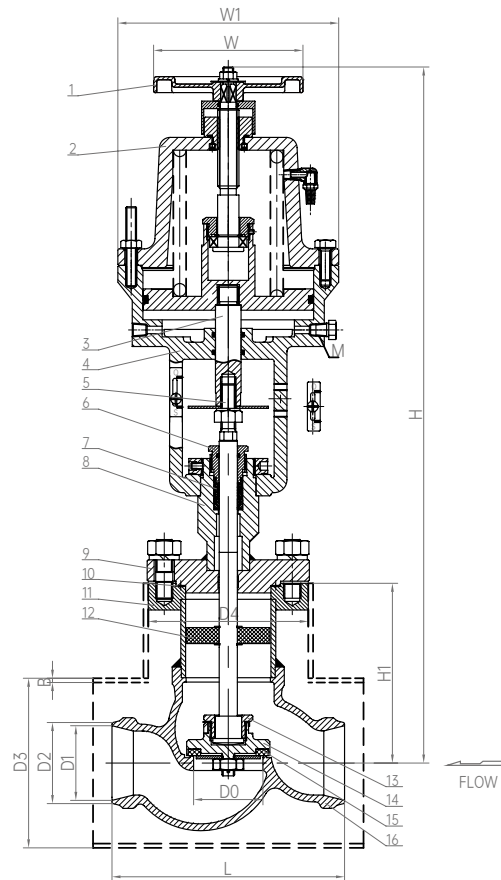
Design Temp.: -196°C ~+80°C

Media: LNG, LO₂, LN₂, LAr, CO₂

Connection : Butt Weld



This kind of product has certified by EAC and TS
Standards: GB/T 24918, TR CU 032/2013



Materials

1	Hand Wheel	Y102	7	Washer	PTFE	13	Connecting Nut	S30408
2	Cylinder Cover	ZL104	8	Gland Packings	S30408	14	Disc	S30408
3	Connecting Shaft	S30408	9	Bonnet	S30408	15	Body	S30408
4	Cylinder	ZL104	10	Washer	RPTFE	16	Disc Sealing	PCTFE
5	Stem	S30408	11	Flange	S30408			
6	Gland Nut	S30408	12	Pilot Sleeve	PTFE			

Model No.	Specifications & Dimensions (mm)												PN (MPa)	Weight(kg)
	H	H1	L	W	W1	B	M	D0	D1	D2	D3	D4		
DZQ-65	654	168.5	218	Ø140	Ø207	4	Rc1/4	Ø65	Ø70	Ø76	Ø159	Ø150	1.6	
DZQ-65B1	654	168.5	218	Ø140	Ø207	4	Rc1/4	Ø65	Ø70	Ø76	Ø159	Ø150	2.5	
DZQ-65B2	654	168.5	218	Ø140	Ø207	4	Rc1/4	Ø65	Ø70	Ø76	Ø159	Ø150	4.0	

Emergency Shut-off Valve Vacuum Jacketed

Parameters

PN: 1.6MPa

DN: Ø65

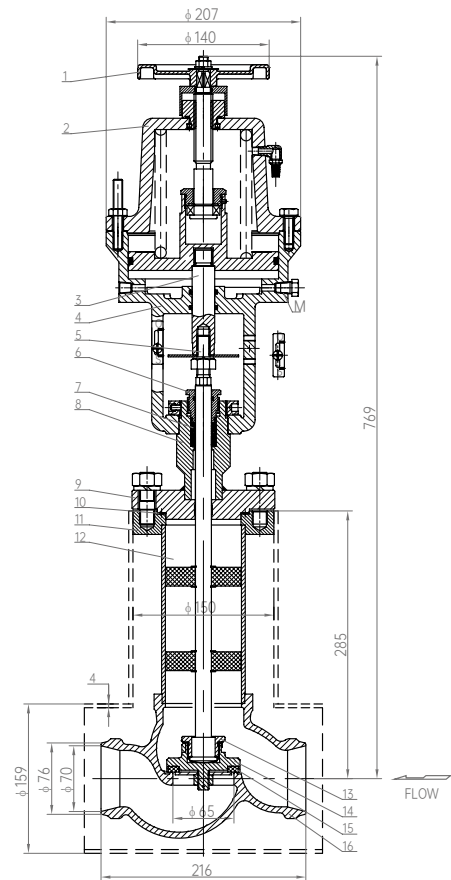
Design Temp.: -196°C ~+80°C

Media: LNG, LO₂, LN₂, LAr, CO₂

Connection : Butt Weld



This kind of product has certified by EAC and TS
Standards: GB/T 24918, TR CU 032/2013



Model No.: DZQ-65C

Materials

1	Hand Wheel	Y102	7	Washer	PTFE	13	Connecting Nut	S30408
2	Cylinder Cover	ZL104	8	Gland Packings	S30408	14	Disc	S30408
3	Connecting Shaft	S30408	9	Bonnet	S30408	15	Body	S30408
4	Cylinder	ZL104	10	Washer	RPTFE	16	Disc Sealing	PCTFE
5	Stem	S30408	11	Flange	S30408			
6	Gland Nut	S30408	12	Pilot Sleeve	PTFE			



Shanghai Baitu
Cryogenic Valve.Co.,Ltd.

Cryogenic Valve Solutions
Worth Your Trust



Add: Building 5, No.428, Changhong Road, Baoshan District, Shanghai, China

E-mail: sales@baituvalves.com

Website: www.baituvalves.com