

BAITU CRYOGENIC VALVE

Worth Your Trust of
Cryogenic Valves Solutions



Application

Cryogenic Transportation & Storage Equipment
Cryogenic Insulation Cylinder
LNG Gasification Station
LNG Liquefaction Plant



Shanghai Baitu
Cryogenic Valve.Co.,Ltd.

www.baituvalves.com





Valves Series for Cryogenic Insulated Cylinder

DJ-10P Short Stem
Cryogenic
Globe Valve



It is suitable for all kinds of low temperature medium insulated gas cylinder, with flexible switch and sealing rely on and anti-static characteristics.

1. The length of stainless steel nozzle can be customized.
2. The outlet thread can be made into NPT 1 / 2, NPT 3 / 8 and NPT 1 / 4 as required.
3. The outlet thread can be selected as the left-hand thread valve for LNG industrial cylinder conforming to Chinese standard.

Nominal Pressure: 4.0MPa

Design Temperature: -196°C ~ +85°C

Suitable Media: LNG、LO₂、LN₂、LAr、CO₂

DYZ-06
Cryogenic
Combined
Regulator



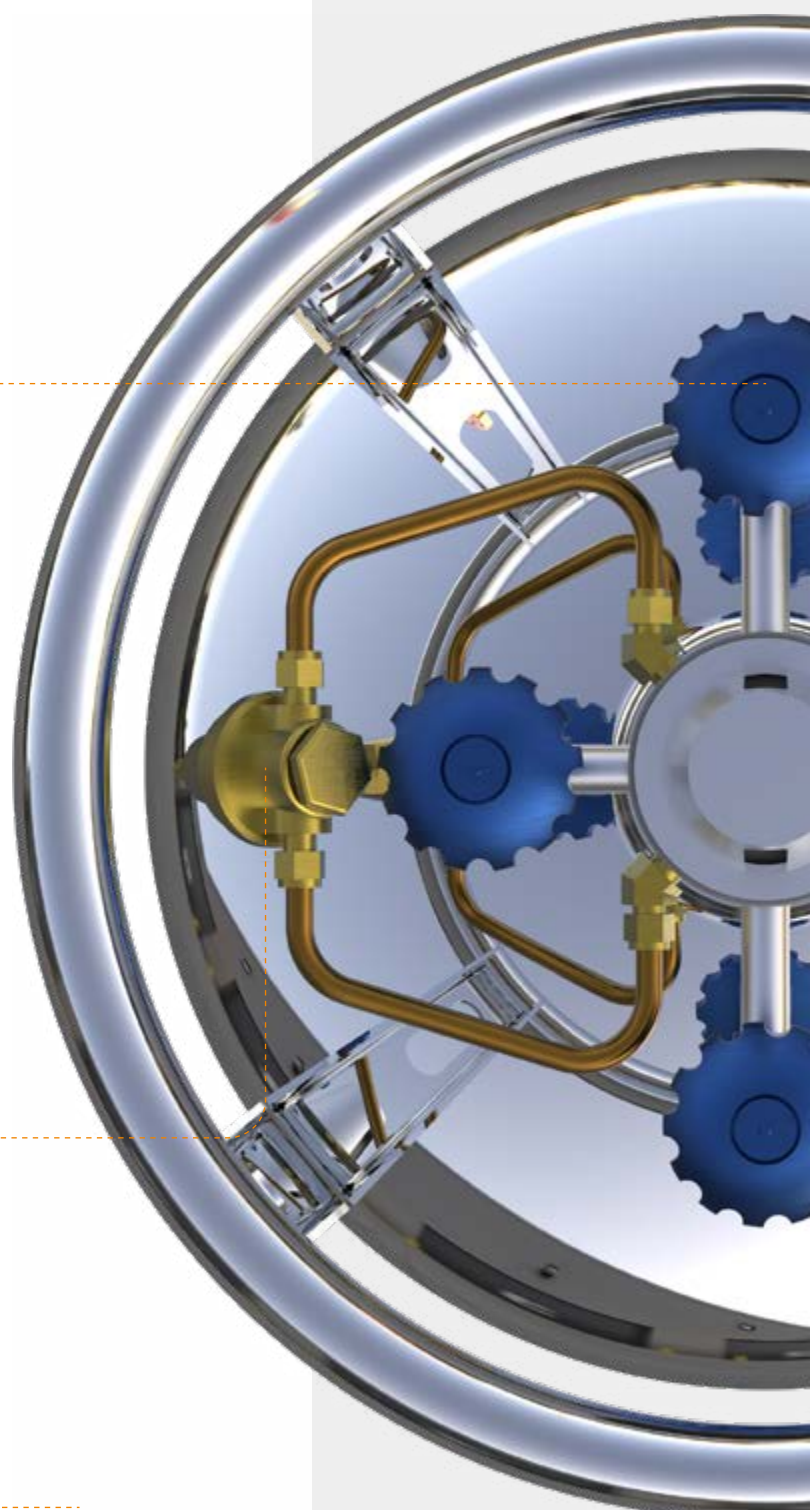
It is suitable for pressurization and depressurization of cryogenic insulated gas cylinders with the compact structure, integrated functions of economizer and regulator. Two types of connections are available, which are suitable for all kinds of cylinders at home and abroad.

Set pressure: 0.2MPa ~ 3.5Mpa

Nominal Pressure: 4.0MPa

Design Temperature: -196°C ~ +85°C

Suitable Media: LNG、LO₂、LN₂、LAr、CO₂





ST-10 Four-way Joint



It is suitable for connecting insulated gas cylinder with safety valve, pressure gauge and rupture disc.

Nominal Pressure: 4.0MPa
Design Temperature: -196°C ~ +85°C
Suitable Media: LNG、LO2、LN2、LAr、CO2

DA-08 Cryogenic Relief Valve



It is suitable for safe discharge of insulated gas cylinders. The safety valve has obtained TS certification, CE certification and ECER110 certification.
Set pressure range: 0.4 ~ 4.0Mpa

Nominal Pressure: 4.0MPa
Design Temperature: -196°C ~ +85°C
Suitable Media: LNG、LO2、LN2、LAr、CO2



Product Contents

DJ-10P~DJ-10P53	9
DJ-10P3~DJ-10P39	10
DJ-10PZ~DJ-10P29Z	11
DJ-10P13H	12
DJ-10P25	13
DJ-10P30	14
DJ-10P47~DJ-10P48	15
DJ-10P49	16
DJ-10P50	17
DJ-10PA~DJ-10PC	18
DJ-10PAH~DJ-10PCH	19
DJ-10PJ~DJ-10PJ3	20
DJ-10PL(005)	21
DJ-10PL(007)	22
DJ-10PL(011)	23
DJ-10PL(019)	24
DJ-10PL(020)	25
DJ-10PL(025)	26
DJ-10PL(030)	27
DJ-10PL(031)	28
DJ-10PL(032)	29
DJ-10PL(033)	30
DJ-10PY~DJ-10PY1	31
DJ-15P3~DJ-15P9	32
DJ-15P6~DJ-15P10	33
DJ-15PB~DJ-15PC1	34
DJ-15PA~DJ-15PAY	35
DJ-15P3Z~DJ-15P11Z	36
DH-06~DH-06A2	37





Product Contents

DH-15E~DH-15E1	38
DH-15E2	39
DH-15E3	40
DH-15F~DH-15F5	41
DH-15F4~DH-15F12	42
DH-15F8~DH-15F8.02	43
DH-15F9	44
DH-15F2~DH-15F16	45
DH-15F13(01)~DH-15F14	46
DH-20C	47
DH-25C	48
DL-06S	49
DL-10A~DL-10C1	50
DL-10A1(02)~DL-10A1(03)	51
DL-10A1(01)~DL-10A1.005	52
DL-10B~DL-10D	53
DL-10B5	54
DL-10C	55
DL-10B4~DL-10D5	56
DL10B.005~DL10D.005	57
DL-10E1~DL-10E4	58
DL-15	59
DL-15A	60
DL-15A.002~DL-15A.003	61
DA-08C~DA-08C5	62
DA-08F~DA-08F5	63
DA-08G~DA-08G5	64
DYJ-06A~DYJ-06A2	65
DYJ-06~DYJ-06B1	66





Product Contents

DYJ-06C~DYJ-06C2	67
DYJ-06D~DYJ-06D1	68
DYJ-10~DYJ-10A1	69
DYJ-10B~DYJ-10B2	70
DYS-06~DYS-06A	71
DYS-10~DYS-10A	72
DYS-10F	73
DYS-15B~DYS-15B2	74
DYS-15F~DYS-15F2	75
DYS-15L	76
DYZ-06~DYZ-06A2	77
DYZ-06B~DYZ-06C	78
DYZ-10~DYZ-10B1	79
DJK-25C~DJK-25C6	80
DJK-25D1~DJK-25C6	81
DJK-25E	82
DJK-25F	83
DJK-25F1	84
DHK-10~DHK-10H1	85
DHK-10C5	86
BZ-06	87
BZ-06A	88
JWQ10.001	89
JWQ10.002	90
DDC-10B.001~DDC-10B.005	91
ST-10~ST-10D	92
ST-10A	93





DJ61F-40P

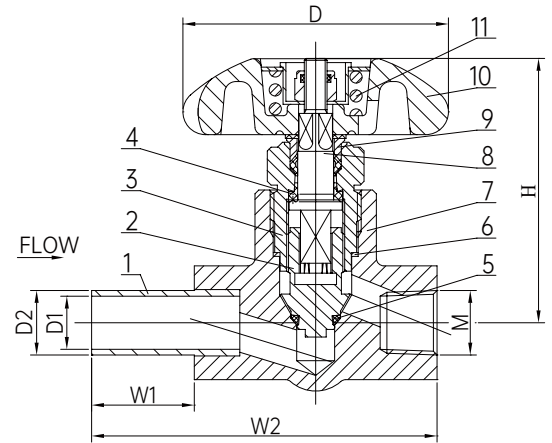
Cryogenic Globe Valve

Parameters

PN: 4.0MPa
DN: Ø10
Design Temp.: -196°C ~+85°C
Media: LNG. LO₂. LN₂. LAr. CO₂



This kind of product has certified by CE,EAC,TS, ECE R110
Standards: EN1626:2008,ECE R110,TR CU 032/2013



Materials

1	Pipe	S30408	5	Gasket	PCTFE	9	Gland	HPb59-1
2	Gate	HPb59-1	6	Washer	T2	10	Hand Wheel	ZL102
3	Gland Nut	HPb59-1	7	Body	HPb59-1	11	Spring	S30210
4	Washer	PTFE	8	Stem	HPb59-1			

Model No.	Specifications & Dimensions (mm)							Weight(kg)
	D	H	W1	W2	M	D1	D2	
DJ-10P	Ø70	69	50	113.5	NPT3/8	Ø13	Ø17	0.64
DJ-10P1	Ø70	69	87	150.5	NPT3/8	Ø13	Ø17	0.67
DJ-10P2	Ø70	69	27	90.5	NPT3/8	Ø13	Ø17	0.61
DJ-10P7	Ø70	69	200	263.5	NPT3/8	Ø13	Ø17	0.80
DJ-10P8	Ø70	69	60	123.5	NPT3/8	Ø13	Ø17	0.65
DJ-10P11	Ø70	69	30	93.5	NPT3/8	Ø13	Ø17	0.61
DJ-10P12	Ø70	69	70	133.5	NPT3/8	Ø13	Ø17	0.62
DJ-10P13	Ø70	69	54	117.5	NPT3/8	Ø13	Ø17	0.64
DJ-10P23	Ø70	69	100	164	NPT1/2	Ø13	Ø17	0.65
DJ-10P24	Ø70	69	100	164	NPT3/8	Ø13	Ø17	0.65
DJ-10P28	Ø70	69	80	144	NPT 3/8	Ø13	Ø17	0.68
DJ-10P29	Ø70	69	55	119	NPT 3/8	Ø13	Ø17	0.60
DJ-10P33	Ø70	69	20	83.5	NPT3/8	Ø13	Ø17	0.64
DJ-10P34	Ø70	69	28	91.5	NPT3/8	Ø13	Ø17	0.67
DJ-10P35	Ø70	69	50	113.5	NPT3/8	Ø13	Ø17	0.61
DJ-10P36	Ø70	69	70	133.5	NPT3/8	Ø13	Ø17	0.80
DJ-10P53	Ø70	69	150	213.5	NPT3/8	Ø13	Ø17	0.75

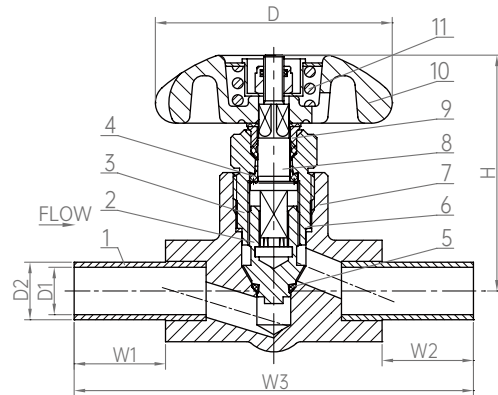


DJ61F-40P

Cryogenic Globe Valve

Parameters

PN: 4.0MPa
DN: Ø10
Design Temp.: -196°C ~+85°C
Media: LNG, LO₂, LN₂, LAr, CO₂



This kind of product has certified by CE,EAC,TS, ECE R110
Standards: EN1626:2008,ECE R110,TR CU 032/2013

Materials

1 Pipe	S30408	5 Gasket	PCTFE	9 Gland	HPb59-1
2 Gate	HPb59-1	6 Washer	T2	10 Hand Wheel	ZL102
3 Gland Nut	HPb59-1	7 Body	HPb59-1	11 Spring	S30210
4 Washer	PTFE	8 Stem	HPb59-1		

Model No.	Specifications & Dimensions (mm)							Weight(kg)
	D	H	W1	W2	W3	D1	D2	
DJ-10P3	Ø70	69	27	27	118	Ø13	Ø17	
DJ-10P5	Ø70	69	55	55	174	Ø13	Ø17	
DJ-10P6	Ø70	69	87	87	238	Ø13	Ø17	
DJ-10P10	Ø70	69	27	27	118	Ø13	Ø17	
DJ-10P20	Ø70	69	94.5	28.6	187.1	Ø13	Ø17	
DJ-10P22	Ø70	69	40	40	144	Ø16	Ø19	
DJ-10P37	Ø70	69	28	28	119.5	Ø13	Ø17	
DJ-10P38	Ø70	69	50	50	163.5	Ø13	Ø17	
DJ-10P39	Ø70	69	70	70	203.5	Ø13	Ø17	



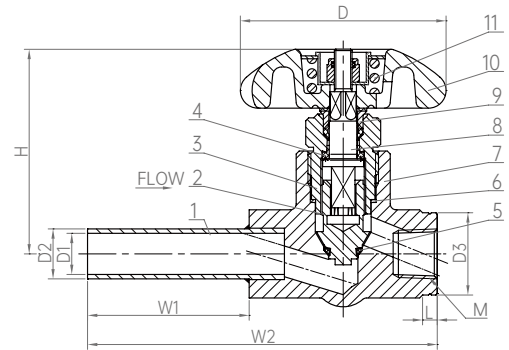
DJ61F-40P

Cryogenic Globe Valve

Parameters

PN: 4.0MPa
DN: Ø10
Design Temp.: -196°C ~+85°C
Media: LNG

Connecting Thread : Left turn



This kind of product has certified by CE,EAC,TS, ECE R110
Standards: EN1626:2008,ECE R110,TR CU 032/2013

Materials

1 Pipe	S30408	5 Gasket	PCTFE	9 Gland	HPb59-1
2 Gate	HPb59-1	6 Washer	T2	10 Hand Wheel	ZL102
3 Gland Nut	HPb59-1	7 Body	HPb59-1	11 Spring	S30210
4 Washer	PTFE	8 Stem	HPb59-1		

Model No.	Specifications & Dimensions (mm)									Weight(kg)
	D	H	W1	W2	M	D1	D2	D3	L	
DJ-10PZ	Ø70	69	50	114	NPT3/8-LH	Ø13	Ø17	Ø28	5	0.64
DJ-10P1Z	Ø70	69	87	151	NPT3/8-LH	Ø13	Ø17	Ø28	5	0.67
DJ-10P2Z	Ø70	69	27	91	NPT3/8-LH	Ø13	Ø17	Ø28	5	0.61
DJ-10P7Z	Ø70	69	200	264	NPT3/8-LH	Ø13	Ø17	Ø28	5	0.80
DJ-10P8Z	Ø70	69	60	124	NPT3/8-LH	Ø13	Ø17	Ø28	5	0.65
DJ-10P28Z	Ø70	69	80	144	NPT 3/8-LH	Ø13	Ø17	Ø28	5	0.68
DJ-10P29Z	Ø70	69	55	119	NPT 3/8-LH	Ø13	Ø17	Ø28	5	0.60



DJ61F-40P

Cryogenic Globe Valve

Parameters

PN: 4.0MPa

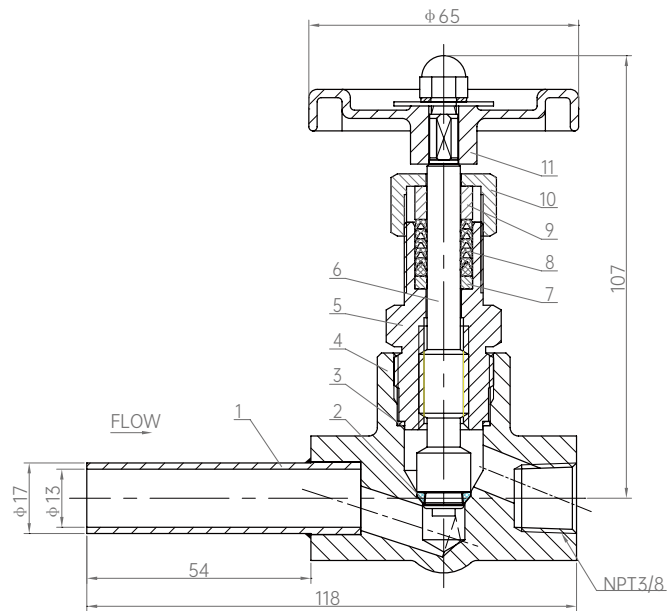
DN: Ø10

Design Temp.: -196°C ~+85°C

Media: LNG, LO₂, LN₂, LAr, CO₂



This kind of product has certified by CE,EAC,TS, ECE R110
Standards: EN1626:2008,ECE R110,TR CU 032/2013



Model No.: DJ-10P13H

Materials

1	Pipe	S30408	5	Gland Nut	HPb59-1	9	Gland	HPb59-1
2	Gasket	PCTFE	6	Stem	HPb59-1	10	Gland Nut	HPb59-1
3	Washer	T2	7	Washer	HPb59-1	11	Hand Wheel	ZL102
4	Body	HPb59-1	8	Washer	PTFE			

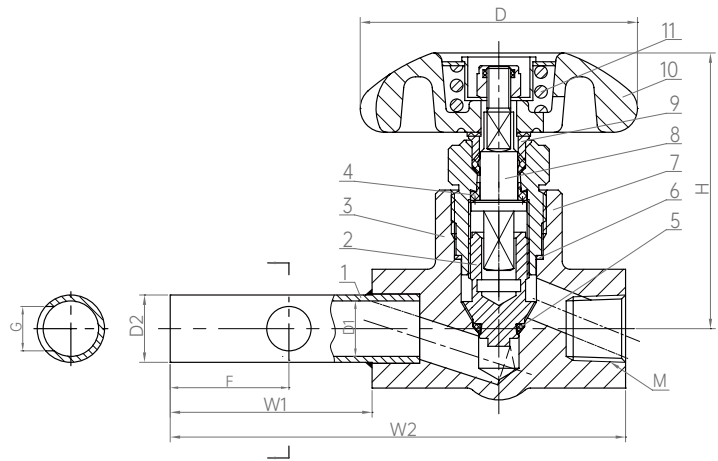


DJ61F-40P

Cryogenic Globe Valve

Parameters

PN: 4.0MPa
DN: Ø10
Design Temp.: -196°C ~+85°C
Media: LNG. LO₂. LN₂. LAr. CO₂



This kind of product has certified by CE,EAC,TS, ECE R110
Standards: EN1626:2008,ECE R110,TR CU 032/2013

Materials

1	Pipe	S30408	5	Gasket	PCTFE	9	Gland	HPb59-1
2	Gate	HPb59-1	6	Washer	T2	10	Hand Wheel	ZL102
3	Gland Nut	HPb59-1	7	Body	HPb59-1	11	Spring	S30210
4	Washer	PTFE	8	Stem	HPb59-1			

Model No.	Specifications & Dimensions (mm)									Weight(kg)
	D	H	W1	W2	F	G	M	D1	D2	
DJ-10P25	Ø70	69	106	169.5	60	Ø14.5	NPT3/8	Ø16	Ø20	0.64



DJ61F-40P

Cryogenic Globe Valve

Parameters

PN: 4.0MPa

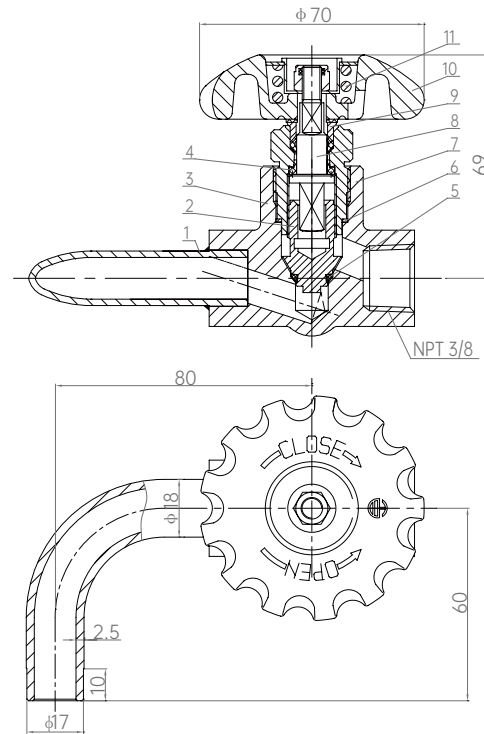
DN: Ø10

Design Temp.: -196°C ~+85°C

Media: LNG, LO₂, LN₂, LAr, CO₂



This kind of product has certified by CE,EAC,TS, ECE R110
Standards: EN1626:2008,ECE R110,TR CU 032/2013



Model No.: DJ-10P30

Materials

1	Pipe	S30408	5	Gasket	PCTFE	9	Gland	HPb59-1
2	Gate	HPb59-1	6	Washer	T2	10	Hand Wheel	ZL102
3	Gland Nut	HPb59-1	7	Body	HPb59-1	11	Spring	S30210
4	Washer	PTFE	8	Stem	HPb59-1			

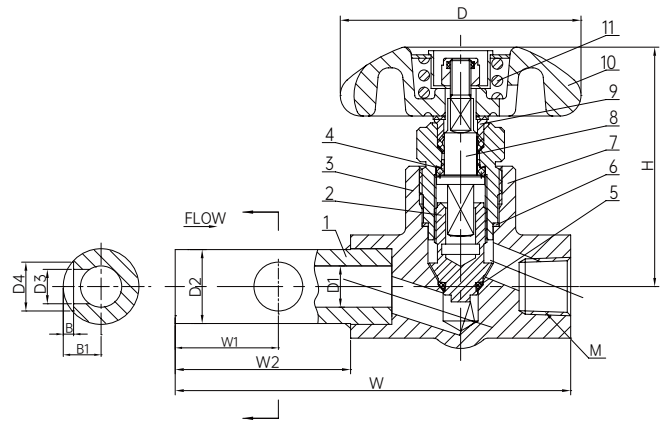


DJ61F-40P

Cryogenic Globe Valve

Parameters

PN: 4.0MPa
DN: Ø10
Design Temp.: -196°C ~+85°C
Media: LNG, LO₂, LN₂, LAr, CO₂



This kind of product has certified by CE,EAC,TS, ECE R110
Standards: EN1626:2008,ECE R110,TR CU 032/2013

Materials

1 Pipe	S30408	5 Gasket	PCTFE	9 Gland	HPb59-1
2 Gate	HPb59-1	6 Washer	T2	10 Hand Wheel	ZL102
3 Gland Nut	HPb59-1	7 Body	HPb59-1	11 Spring	S30210
4 Washer	PTFE	8 Stem	HPb59-1		

Model No.	Specifications & Dimensions (mm)												Weight(kg)
	D	D1	D2	D3	D4	B	B1	W	W1	W2	M	H	
DJ-10P47	Ø70	Ø12.3	Ø22	Ø10	Ø14.2	3	11	118.5	55	27.5	NPT 3/8	69	
DJ-10P48	Ø70	Ø12.3	Ø22	Ø10	Ø14.2	3	11	118.5	55	27.5	NPT 1/2	69	



DJ61F-40P

Cryogenic Globe Valve

Parameters

PN: 4.0MPa

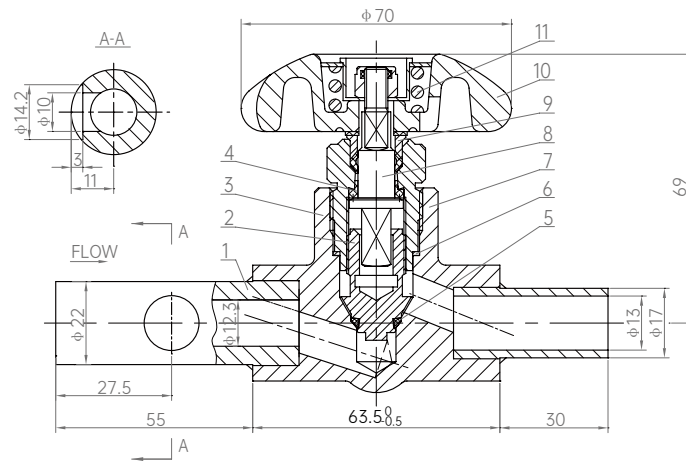
DN: Ø10

Design Temp.: -196°C ~+85°C

Media: LNG, LO₂, LN₂, LAr, CO₂



This kind of product has certified by CE,EAC,TS, ECE R110
Standards: EN1626:2008,ECE R110,TR CU 032/2013



Model No.: DJ-10P49

Materials

1	Pipe	S30408
2	Gate	HPb59-1
3	Gland Nut	HPb59-1
4	Washer	PTFE
5	Gasket	PCTFE
6	Washer	T2
7	Body	HPb59-1
8	Stem	HPb59-1
9	Gland	HPb59-1
10	Hand Wheel	ZL102
11	Spring	S30210



DJ61F-40P

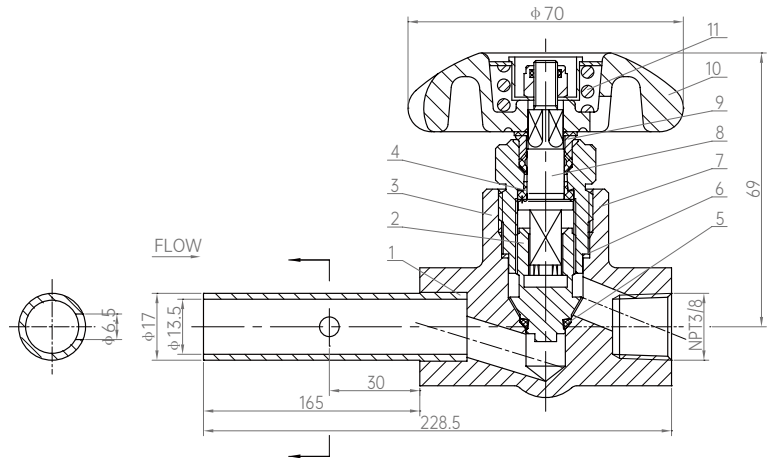
Cryogenic Globe Valve

Parameters

PN: 4.0MPa
DN: Ø10
Design Temp.: -196°C ~+85°C
Media: LNG, LO₂, LN₂, LAr, CO₂



This kind of product has certified by CE,EAC,TS, ECE R110
Standards: EN1626:2008,ECE R110,TR CU 032/2013



Model No.: DJ-10P50

Materials

1	Pipe	S30408
2	Gate	HPb59-1
3	Gland Nut	HPb59-1
4	Washer	PTFE
5	Gasket	PCTFE
6	Washer	T2
7	Body	HPb59-1
8	Stem	HPb59-1
9	Gland	HPb59-1
10	Hand Wheel	ZL102
11	Spring	S30210



DJ61F-40P

Cryogenic Globe Valve

Parameters

PN: 4.0MPa

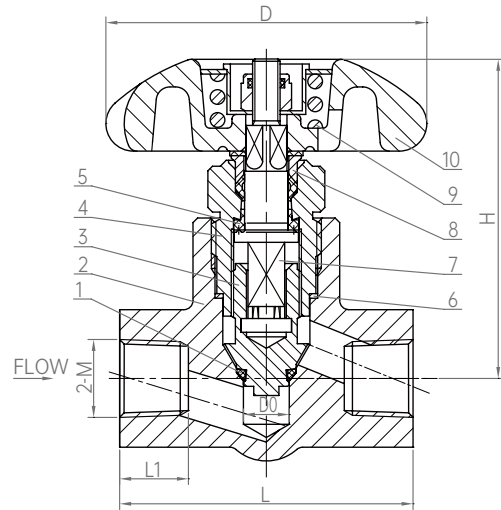
DN: Ø10

Design Temp.: -196°C ~+85°C

Media: LNG, LO₂, LN₂, LAr, CO₂



This kind of product has certified by CE,EAC,TS, ECE R110
Standards: EN1626:2008,ECE R110,TR CU 032/2013



Materials

1 Gasket	PCTFE	5 Washer	PTFE	9 Spring	S30210
2 Body	HPb59-1	6 Washer	T2	10 Hand Wheel	ZL102
3 Gate	HPb59-1	7 Stem	HPb59-1		
4 Gland Nut	HPb59-1	8 Gland	HPb59-1		

Model No.	Specifications & Dimensions (mm)						Weight(kg)
	D	D0	H	M	L	L1	
DJ-10PA	Ø70	Ø10	69	NPT 1/4	64	12	0.60
DJ-10PB	Ø70	Ø10	69	NPT 3/8	64	15	0.60
DJ-10PC	Ø70	Ø10	69	NPT 1/2	64	16	0.60



DJ61F-40P

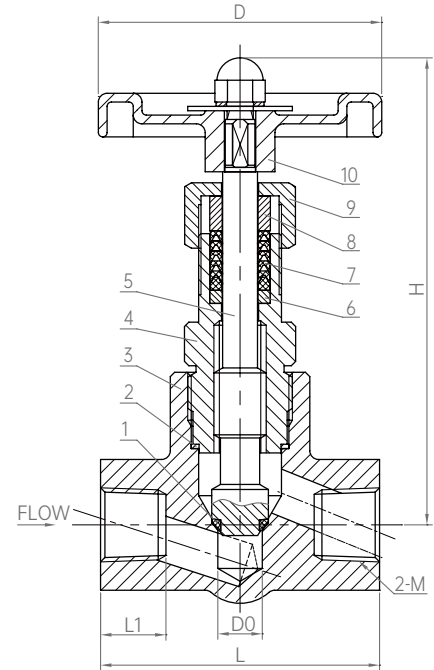
Cryogenic Globe Valve

Parameters

PN: 4.0MPa
DN: Ø10
Design Temp.: -196°C ~+85°C
Media: LNG, LO₂, LN₂, LAr, CO₂



This kind of product has certified by CE,EAC,TS, ECE R110
Standards: EN1626:2008,ECE R110,TR CU 032/2013



Materials

1 Gasket	PCTFE	5 Stem	HPb59-1	9 Gland Nut	HPb59-1
2 Washer	T2	6 Washer	HPb59-1	10 Hand Wheel	ZL102
3 Body	HPb59-1	7 Washer	PTFE		
4 Gland Nut	HPb59-1	8 Gland	HPb59-1		

Model No.	Specifications & Dimensions (mm)						Weight(kg)
	D	D0	H	M	L	L1	
DJ-10PAH	Ø65	Ø10	107	NPT 1/4	63.5	12	0.64
DJ-10PBH	Ø65	Ø10	107	NPT 3/8	63.5	15	0.64
DJ-10PCH	Ø65	Ø10	107	NPT 1/2	63.5	16	0.56

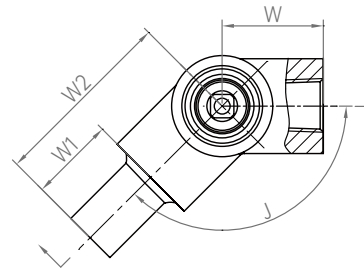
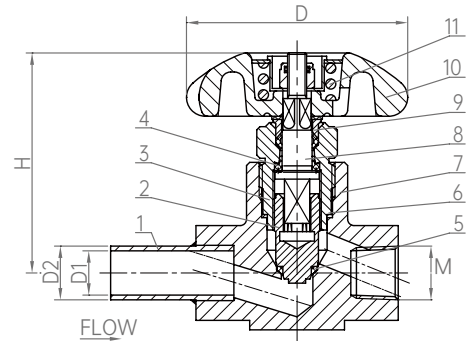


DJ61F-40P

Cryogenic Globe Valve

Parameters

PN: 4.0MPa
DN: Ø10
Design Temp.: -196°C ~+85°C
Media: LNG, LO₂, LN₂, LAr, CO₂



This kind of product has certified by CE,EAC,TS, ECE R110
Standards: EN1626:2008,ECE R110,TR CU 032/2013

Materials

1 Pipe	S30408	5 Gasket	PCTFE	9 Gland	HPb59-1
2 Gate	HPb59-1	6 Washer	T2	10 Hand Wheel	ZL102
3 Gland Nut	HPb59-1	7 Body	HPb59-1	11 Spring	S30210
4 Washer	PTFE	8 Stem	HPb59-1		

Model No.	Specifications & Dimensions (mm)									Weight(kg)
	D	H	W	W1	W2	D1	D2	M	J	
DJ-10PJ	Ø70	69	32	27	59	Ø13	Ø17	NPT 3/8	135°	0.66
DJ-10PJ1	Ø70	69	32	27	59	Ø12	Ø17	NPT 3/8	135°	0.66
DJ-10PJ3	Ø70	69	32	50	82	Ø12	Ø17	NPT 3/8	135°	0.66



DJ61F-40P

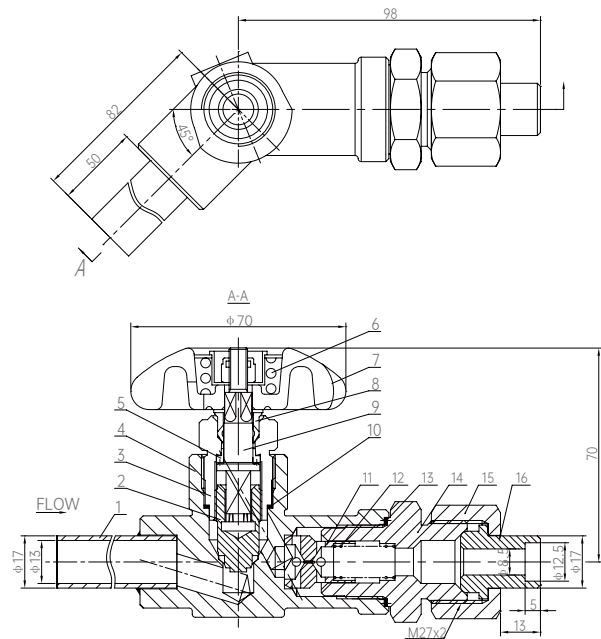
Cryogenic Globe Valve

Parameters

PN: 4.0MPa
DN: Ø10
Design Temp.: -196°C ~+85°C
Media: LNG, LO₂, LN₂, LAr, CO₂



This kind of product has certified by CE,EAC,TS, ECE R110
Standards: EN1626:2008,ECE R110,TR CU 032/2013



Model No.: DJ-10PL(005)

Materials

1	Pipe	S30408
2	Gate	HPb59-1
3	Gland Nut	HPb59-1
4	Body	HPb59-1
5	Washer	PTFE
6	Spring	S30210
7	Hand Wheel	ZL102
8	Gland	HPb59-1
9	Stem	HPb59-1
10	Washer	T2
11	Disc	HPb59-1
12	Spring	S30210
13	Sealing	T2
14	Connector	HPb59-1
15	Hexagon Nut	S30408
16	Pipe	S30408



DJ61F-40P

Cryogenic Globe Valve

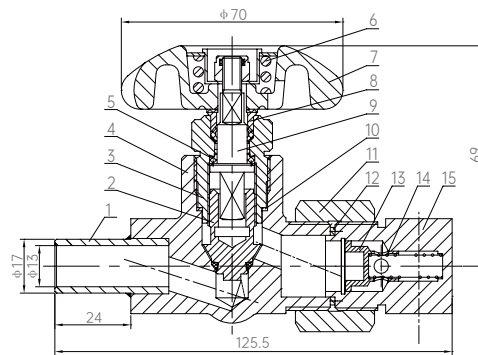
Parameters

PN: 4.0MPa

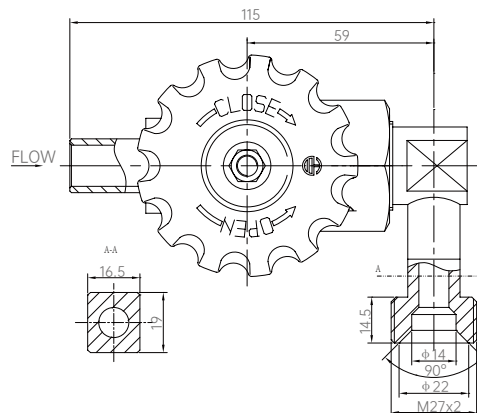
DN: Ø10

Design Temp.: -196°C ~+85°C

Media: LNG, LO₂, LN₂, LAr, CO₂



This kind of product has certified by CE,EAC,TS, ECE R110
Standards: EN1626:2008,ECE R110,TR CU 032/2013



Materials

1	Pipe	S30408
2	Gate	HPb59-1
3	Gland Nut	HPb59-1
4	Body	HPb59-1
5	Washer	PTFE
6	Spring	S30210
7	Hand Wheel	ZL102
8	Gland	HPb59-1
9	Stem	HPb59-1
10	Washer	T2
11	Nut	HPb59-1
12	Sealing	T2
13	Disc	HPb59-1
14	Spring	S30210
15	Excess Flow Pad	S30408

Model No.: DJ-10PL(007)



DJ61F-40P

Cryogenic Globe Valve

Parameters

PN: 4.0MPa

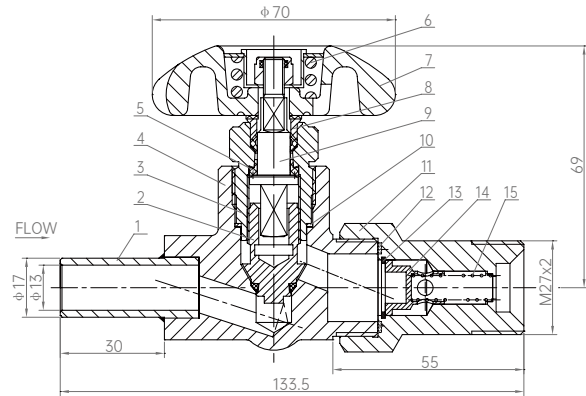
DN: Ø10

Design Temp.: -196°C ~+85°C

Media: LNG, LO₂, LN₂, LAr, CO₂



This kind of product has certified by CE,EAC,TS, ECE R110
Standards: EN1626:2008,ECE R110,TR CU 032/2013



Model No.: DJ-10PL(011)

Materials

1	Pipe	S30408
2	Gate	HPb59-1
3	Gland Nut	HPb59-1
4	Body	HPb59-1
5	Washer	PTFE
6	Spring	S30210
7	Hand Wheel	ZL102
8	Gland	HPb59-1
9	Stem	HPb59-1
10	Washer	T2
11	Excess Flow Pad	HPb59-1
12	Washer	T2
13	Circlip	S30408
14	Disc	HPb59-1
15	Spring	S30210



DJ61F-40P

Cryogenic Globe Valve

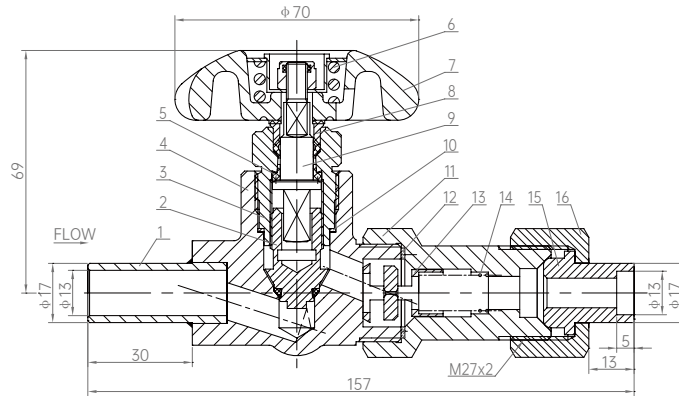
Parameters

PN: 4.0MPa

DN: Ø10

Design Temp.: -196°C ~+85°C

Media: LNG, LO₂, LN₂, LAr, CO₂



Model No.: DJ-10PL(019)



This kind of product has certified by CE,EAC,TS, ECE R110
Standards: EN1626:2008,ECE R110,TR CU 032/2013

Materials

1	Pipe	S30408
2	Gate	HPb59-1
3	Gland Nut	HPb59-1
4	Body	HPb59-1
5	Washer	PTFE
6	Spring	S30210
7	Hand Wheel	ZL102
8	Gland	HPb59-1
9	Stem	HPb59-1
10	Washer	T2
11	Excess Flow Pad	HPb59-1
12	Washer	T2
13	Disc	HPb59-1
14	Spring	S30210
15	Pipe	S30408
16	Hexagon Nut	S30408



DJ61F-40P

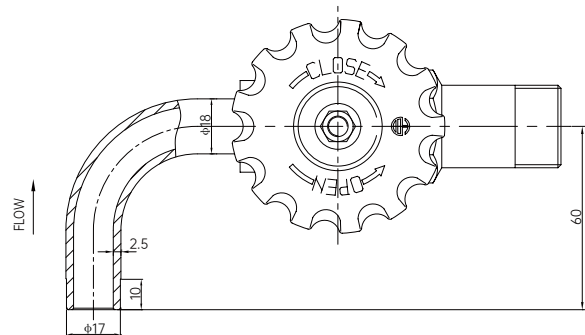
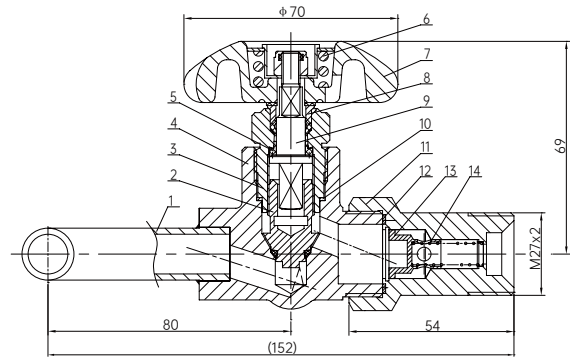
Cryogenic Globe Valve

Parameters

PN: 4.0MPa
DN: Ø10
Design Temp.: -196°C ~+85°C
Media: LNG. LO₂. LN₂. LAr. CO₂



This kind of product has certified by CE,EAC,TS, ECE R110
Standards: EN1626:2008,ECE R110,TR CU 032/2013



Model No.: DJ-10PL(020)

Materials

1	Pipe	S30408
2	Gate	HPb59-1
3	Gland Nut	HPb59-1
4	Body	HPb59-1
5	Washer	PTFE
6	Spring	S30210
7	Hand Wheel	ZL102
8	Gland	HPb59-1
9	Stem	HPb59-1
10	Washer	T2
11	Excess Flow Pad	HPb59-1
12	Washer	T2
13	Disc	HPb59-1
14	Spring	S30210



DJ61F-40P

Cryogenic Globe Valve

Parameters

PN: 4.0MPa

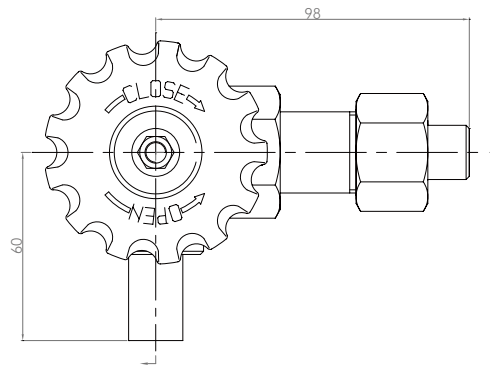
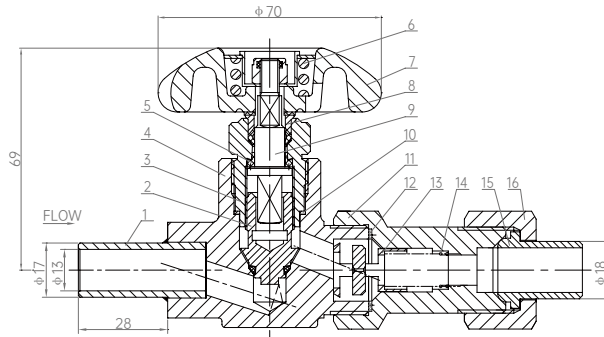
DN: Ø10

Design Temp.: -196°C ~+85°C

Media: LNG, LO₂, LN₂, LAr, CO₂



This kind of product has certified by CE,EAC,TS, ECE R110
Standards: EN1626:2008,ECE R110,TR CU 032/2013



Model No.: DJ-10PL(025)

Materials

1	Pipe	S30408
2	Gate	HPb59-1
3	Gland Nut	HPb59-1
4	Body	HPb59-1
5	Washer	PTFE
6	Spring	S30210
7	Hand Wheel	ZL102
8	Gland	HPb59-1
9	Stem	HPb59-1
10	Washer	T2
11	Excess Flow Pad	HPb59-1
12	Washer	T2
13	Disc	HPb59-1
14	Spring	S30210
15	Pipe	S30408
16	Hexagon Nut	HPb59-1



DJ61F-40P

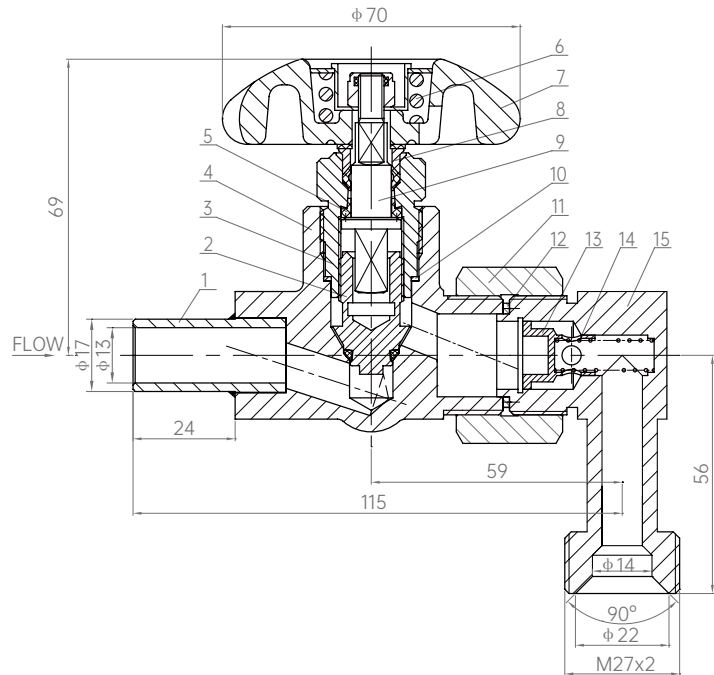
Cryogenic Globe Valve

Parameters

PN: 4.0MPa
DN: Ø10
Design Temp.: -196°C ~+85°C
Media: LNG, LO₂, LN₂, LAr, CO₂



This kind of product has certified by CE,EAC,TS, ECE R110
Standards: EN1626:2008,ECE R110,TR CU 032/2013



Materials

Model No.: DJ-10PL(030)

1	Pipe	S30408
2	Gate	HPb59-1
3	Gland Nut	HPb59-1
4	Body	HPb59-1
5	Washer	PTFE
6	Spring	S30210
7	Hand Wheel	ZL102
8	Gland	HPb59-1
9	Stem	HPb59-1
10	Washer	T2
11	Nut	HPb59-1
12	Sealing	T2
13	Disc	HPb59-1
14	Spring	S30210
15	Excess Flow Pad	S30408



DJ61F-40P

Cryogenic Globe Valve

Parameters

PN: 4.0MPa

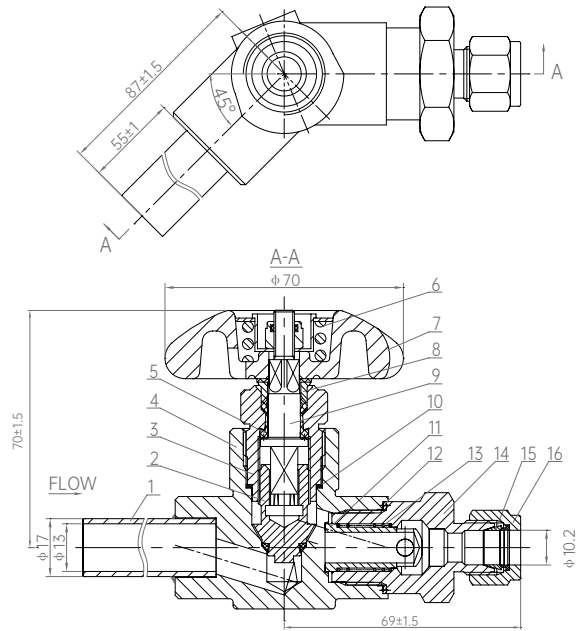
DN: Ø10

Design Temp.: -196°C ~+85°C

Media: LNG, LO₂, LN₂, LAr, CO₂



This kind of product has certified by CE,EAC,TS, ECE R110
Standards: EN1626:2008,ECE R110,TR CU 032/2013



Materials

Model No.: DJ-10PL(031)

1	Pipe	S30408
2	Gate	HPb59-1
3	Gland Nut	HPb59-1
4	Body	HPb59-1
5	Washer	PTFE
6	Spring	S30210
7	Hand Wheel	ZL102
8	Gland	HPb59-1
9	Stem	HPb59-1
10	Washer	T2
11	Disc	HPb59-1
12	Washer	T2
13	Spring	S30210
14	Connector	HPb59-1
15	Ferrule	S31608
16	Connecting Nut	S31608

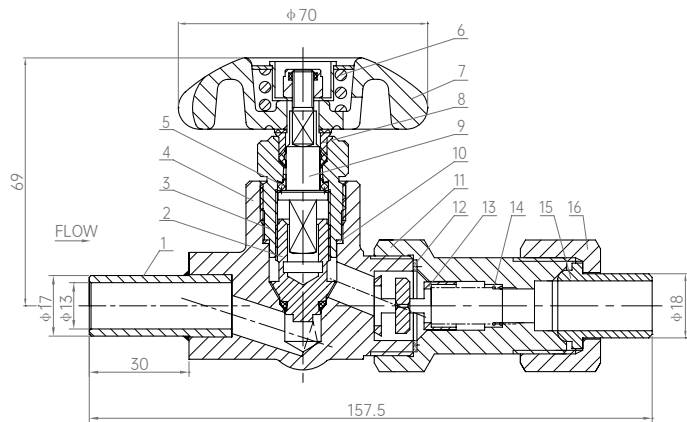


DJ61F-40P

Cryogenic Globe Valve

Parameters

PN: 4.0MPa
DN: Ø10
Design Temp.: -196°C ~+85°C
Media: LNG, LO₂, LN₂, LAr, CO₂



This kind of product has certified by CE,EAC,TS, ECE R110
Standards: EN1626:2008,ECE R110,TR CU 032/2013

Materials

1	Pipe	S30408
2	Gate	HPb59-1
3	Gland Nut	HPb59-1
4	Body	HPb59-1
5	Washer	PTFE
6	Spring	S30210
7	Hand Wheel	ZL102
8	Gland	HPb59-1
9	Stem	HPb59-1
10	Washer	T2
11	Excess Flow Pad	HPb59-1
12	Washer	T2
13	Disc	HPb59-1
14	Spring	S30210
15	Pipe	S30408
16	Hexagon Nut	HPb59-1

Model No.: DJ-10PL(032)



DJ61F-40P

Cryogenic Globe Valve

Parameters

PN: 4.0MPa

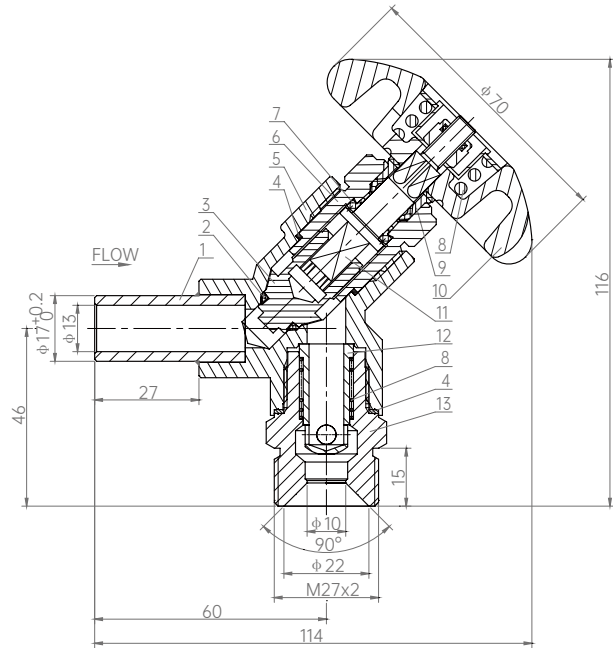
DN: Ø10

Design Temp.: -196°C ~+85°C

Media: LNG, LO₂, LN₂, LAr, CO₂



This kind of product has certified by CE,EAC,TS, ECE R110
Standards: EN1626:2008,ECE R110,TR CU 032/2013



Materials

Model No.: DJ-10PL(033)

1	Pipe	S30408
2	Washer	PCTFE
3	Gate	HPb59-1
4	Washer	T2
5	Body	HPb59-1
6	Gland Nut	HPb59-1
7	Washer	PTFE
8	Spring	S30210
9	Gland	HPb59-1
10	Hand Wheel	ZL102
11	Stem	HPb59-1
12	Disc	HPb59-1
13	Excess Flow	HPb59-1

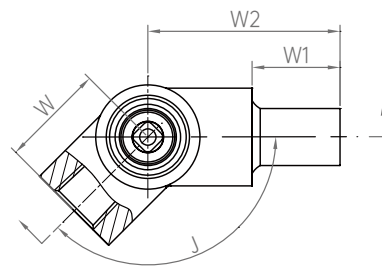
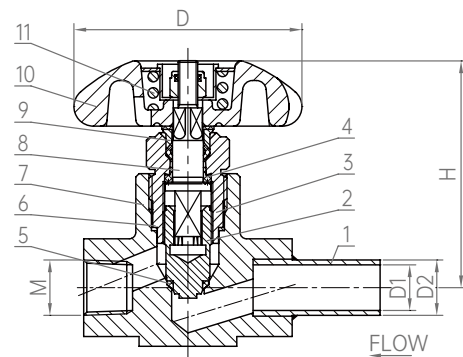


DJ61F-40P

Cryogenic Globe Valve

Parameters

PN: 4.0MPa
DN: Ø10
Design Temp.: -196°C ~+85°C
Media: LNG, LO₂, LN₂, LAr, CO₂



This kind of product has certified by CE,EAC,TS, ECE R110
Standards: EN1626:2008,ECE R110,TR CU 032/2013

Materials

1 Pipe	S30408	5 Gasket	PCTFE	9 Gland	HPb59-1
2 Gate	HPb59-1	6 Washer	T2	10 Hand Wheel	ZL102
3 Gland Nut	HPb59-1	7 Body	HPb59-1	11 Spring	S30210
4 Washer	PTFE	8 Stem	HPb59-1		

Model No.	Specifications & Dimensions (mm)									Weight(kg)
	D	H	W	W1	W2	D1	D2	M	J	
DJ-10PY	Ø70	69	32	27	59	Ø13	Ø17	NPT 3/8	135°	0.66
DJ-10PY1	Ø70	69	32	47	79	Ø13	Ø17	NPT 3/8	135°	0.66

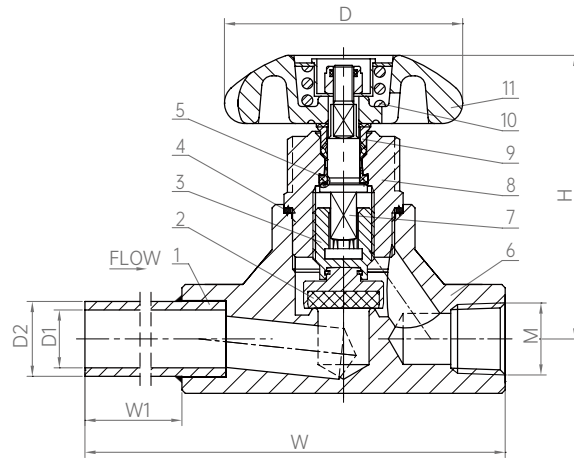


DJ61F-40P

Cryogenic Globe Valve

Parameters

PN: 4.0MPa
DN: Ø15
Design Temp.: -196°C ~+85°C
Media: LNG, LO₂, LN₂, LAr, CO₂



This kind of product has certified by CE,EAC,TS, ECE R110
Standards: EN1626:2008,ECE R110,TR CU 032/2013

Materials

1 Pipe	S30408	5 Washer	PTFE	9 Gland	HPb59-1
2 Gasket	PCTFE	6 Body	HPb59-1	10 Spring	S30210
3 Gate	HPb59-1	7 Stem	HPb59-1	11 Hand Wheel	ZL102
4 Washer	T2	8 Gland Nut	HPb59-1		

Model No.	Specifications & Dimensions (mm)							Weight(kg)
	D	H	W	W1	M	D1	D2	
DJ-15P3	Ø70	84	80	175	NPT 1/2	Ø17	Ø22	
DJ-15P4	Ø70	84	130	225	NPT 1/2	Ø17	Ø22	
DJ-15P5	Ø70	84	160	255	NPT 1/2	Ø17	Ø22	
DJ-15P8	Ø70	84	55	150	NPT 1/2	Ø17	Ø22	
DJ-15P9	Ø70	84	28.5	123.5	NPT 1/2	Ø17	Ø22	

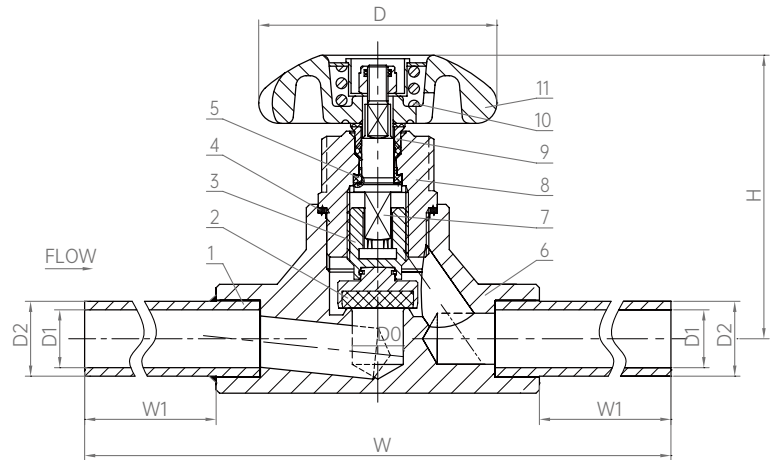


DJ61F-40P

Cryogenic Globe Valve

Parameters

PN: 4.0MPa
DN: Ø15
Design Temp.: -196°C ~+85°C
Media: LNG. LO₂. LN₂. LAr. CO₂



This kind of product has certified by CE,EAC,TS, ECE R110
Standards: EN1626:2008,ECE R110,TR CU 032/2013

Materials

1 Pipe	S30408	5 Washer	PTFE	9 Gland	HPb59-1
2 Gasket	PCTFE	6 Body	HPb59-1	10 Spring	S30210
3 Gate	HPb59-1	7 Stem	HPb59-1	11 Hand Wheel	ZL102
4 Washer	T2	8 Gland Nut	HPb59-1		

Model No.	Specifications & Dimensions (mm)							Weight(kg)
	D	D0	H	W1	W	D1	D2	
DJ-15P6	Ø70	Ø15	84	55	205	Ø17	Ø22	
DJ-15P10	Ø70	Ø15	84	30	155	Ø17	Ø22	



DJ61F-40P

Cryogenic Globe Valve

Parameters

PN: 4.0MPa

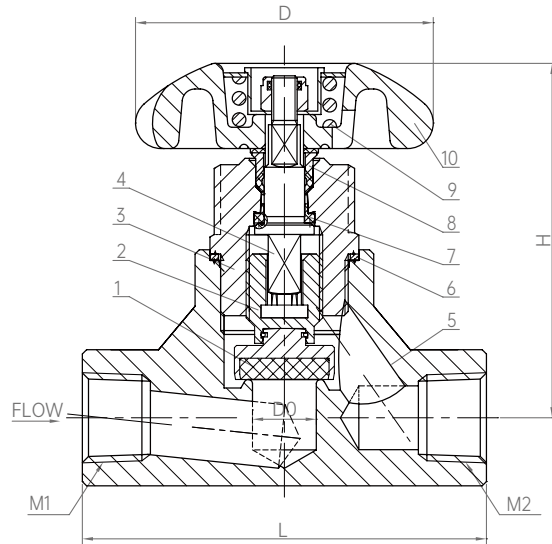
DN: Ø15

Design Temp.: -196°C ~+85°C

Media: LNG, LO₂, LN₂, LAr, CO₂



This kind of product has certified by CE,EAC,TS, ECE R110
Standards: EN1626:2008,ECE R110,TR CU 032/2013



Materials

1 Gasket	PCTFE	5 Body	HPb59-1	9 Spring	S30210
2 Gate	HPb59-1	6 Washer	T2	10 Hand Wheel	ZL102
3 Gland Nut	HPb59-1	7 Washer	PTFE		
4 Stem	HPb59-1	8 Gland	HPb59-1		

Model No.	Specifications & Dimensions (mm)							Weight(kg)
	D	H	W	W1	M	D1	D2	
DJ-15PB	Ø70	Ø15	84	95	NPT 1/2	NPT 3/8	0.96	
DJ-15PC	Ø70	Ø15	84	95	NPT 1/2	NPT 1/2	0.96	
DJ-15PC1	Ø70	Ø15	84	95	NPT 1/2	NPT 1/2-LH	0.96	



DJ61F-40P

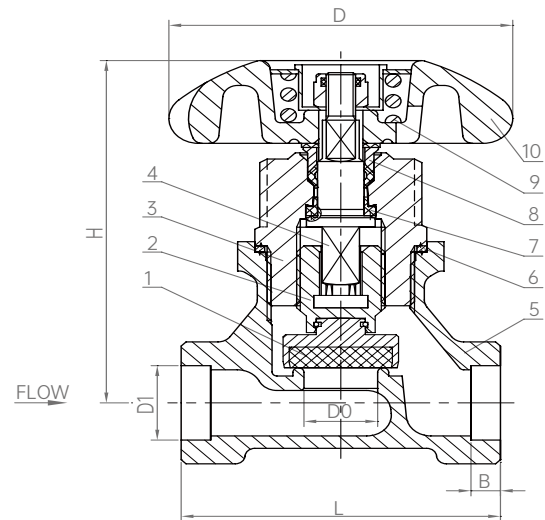
Cryogenic Globe Valve

Parameters

PN: 4.0MPa
DN: Ø15
Design Temp.: -196°C ~+85°C
Media: LNG, LO₂, LN₂, LAr, CO₂



This kind of product has certified by CE,EAC,TS, ECE R110
Standards: EN1626:2008,ECE R110,TR CU 032/2013



Materials

1 Gasket	PCTFE	5 Body	CF8	9 Spring	S30210
2 Gate	HPb59-1	6 Washer	T2	10 Hand Wheel	ZL102
3 Gland Nut	HPb59-1	7 Washer	PTFE		
4 Stem	HPb59-1	8 Gland	HPb59-1		

Model No.	Specifications & Dimensions (mm)						Weight(kg)
	D	D0	D1	H	L	B	
DJ-15PA	Ø70	Ø15	Ø18.5	84	65	6	
DJ-15PAY	Ø70	Ø15	Ø22.2	84	65	6	



DJ61F-40P

Cryogenic Globe Valve

Parameters

PN: 4.0MPa

DN: Ø15

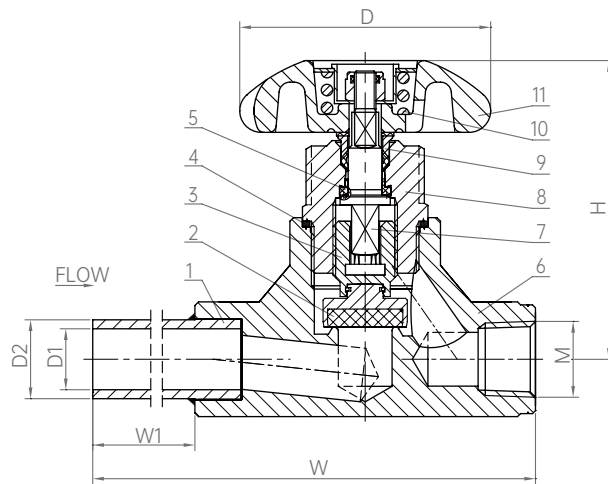
Design Temp.: -196°C ~+85°C

Media: LNG, LO₂, LN₂, LAr, CO₂

Connecting Thread : Left turn



This kind of product has certified by CE,EAC,TS, ECE R110
Standards: EN1626:2008,ECE R110,TR CU 032/2013



Materials

1 Pipe	S30408	5 Washer	PTFE	9 Gland	HPb59-1
2 Gasket	PCTFE	6 Body	HPb59-1	10 Spring	S30210
3 Gate	HPb59-1	7 Stem	HPb59-1	11 Hand Wheel	ZL102
4 Washer	T2	8 Gland Nut	HPb59-1		

Model No.	Specifications & Dimensions (mm)							Weight(kg)
	D	H	W	W1	M	D1	D2	
DJ-15P3Z	Ø70	84	80	175	NPT 1/2-LH	Ø17	Ø22	
DJ-15P5Z	Ø70	84	160	255	NPT 1/2-LH	Ø17	Ø22	
DJ-15P7Z	Ø70	84	110	205	NPT 1/2-LH	Ø17	Ø22	
DJ-15P8Z	Ø70	84	55	150	NPT 1/2-LH	Ø17	Ø22	
DJ-15P11Z	Ø70	84	80	175	NPT 1/2-LH	Ø14	Ø18	



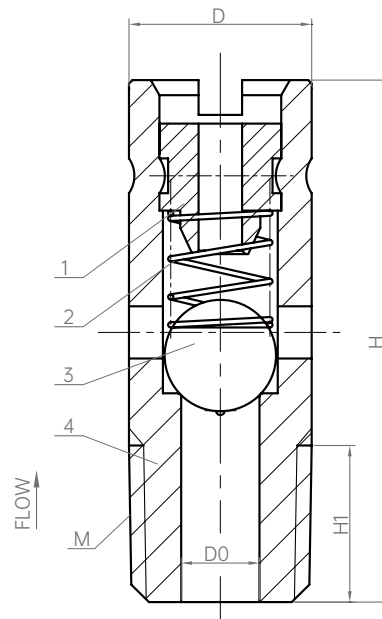
Cryogenic Check Valve

Parameters

PN: 4.0MPa
DN: Ø6
Design Temp.: -196°C ~+85°C
Media: LNG, LO₂, LN₂, LAr, CO₂
Standards: GB/T 24925



This kind of product has certified by CE,EAC,TS, ECE R110
Standards: GB/T 24925,EN1626:2008,ECE R110,TR CU 032/2013



Materials

- | | | |
|---|--------|---------|
| 1 | Cover | HPb59-1 |
| 2 | Spring | S30210 |
| 3 | Ball | G95Cr18 |
| 4 | Body | H62 |

Model No.	Specifications & Dimensions (mm)					Opening pressure (KPa)	Weight(kg)
	D	D0	M	H	H1		
DH-06	Ø10.5	Ø4.5	NPT 1/8	30	10	8 ~ 13	
DH-06A	Ø10.5	Ø4.5	NPT 1/8	30	10	16 ~ 20	
DH-06A1	Ø10.5	Ø4.5	NPT 1/8	30	10	8 ~ 13	
DH-06A2	Ø10.5	Ø4.7	NPT 1/8	30.5	7.5	16 ~ 20	



Cryogenic Check Valve

Parameters

PN: 4.0MPa

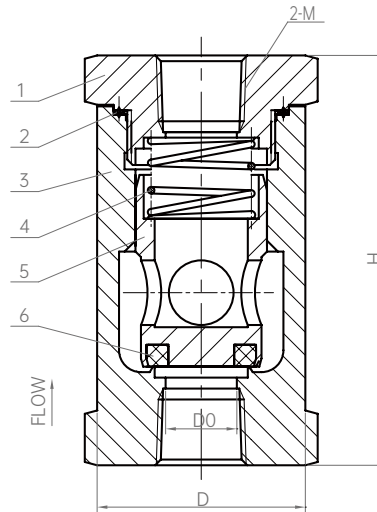
DN: Ø15

Design Temp.: -196°C ~+85°C

Media: LNG, LO₂, LN₂, LAr, CO₂



This kind of product has certified by CE,EAC,TS, ECE R110
Standards: EN1626:2008,ECE R110,TR CU 032/2013



Materials

1 Gland Nut	HPb59-1	4 Spring	S30210
2 Gasket	RPTFE	5 Gate	HPb59-1
3 Body	HPb59-1	6 Gasket	PTFE

Model No.	Specifications & Dimensions (mm)				Weight(kg)
	D	D0	M	H	
DH-15E	Ø38	Ø17	NPT 1/2	75.5	
DH-15E1	Ø38	Ø13	NPT 3/8	75.5	

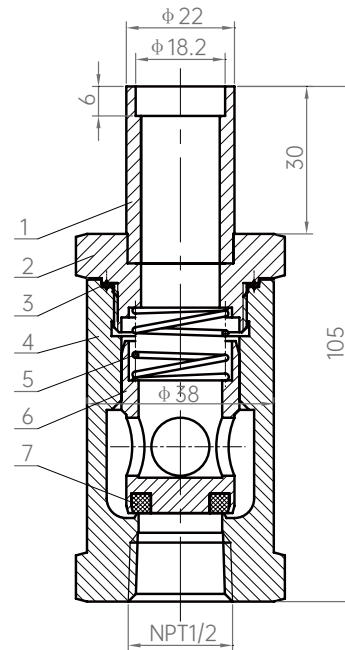
Cryogenic Check Valve

Parameters

PN: 4.0MPa
DN: Ø15
Design Temp.: -196°C ~+85°C
Media: LNG, LO₂, LN₂, LAr, CO₂



This kind of product has certified by CE,EAC,TS, ECE R110
Standards: EN1626:2008,ECE R110,TR CU 032/2013



Materials

1	Pipe	S30408
2	Gland Nut	S30408
3	Washer	RPTFE
4	Body	HPb59-1
5	Spring	S30210
6	Gate	HPb59-1
7	Gasket	PTFE

Model No.: DH-15E2



Cryogenic Check Valve

Parameters

PN: 4.0MPa

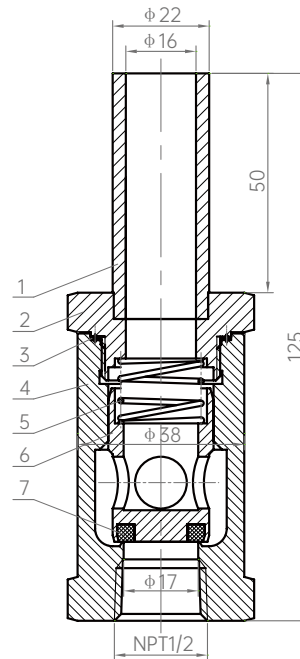
DN: Ø15

Design Temp.: -196°C ~+85°C

Media: LNG, LO₂, LN₂, LAr, CO₂



This kind of product has certified by CE,EAC,TS, ECE R110
Standards: EN1626:2008,ECE R110,TR CU 032/2013



Materials

1	Pipe	S30408
2	Gland Nut	HPb59-1
3	Washer	RPTFE
4	Body	HPb59-1
5	Spring	S30210
6	Gate	HPb59-1
7	Gasket	PTFE

Model No.: DH-15E3



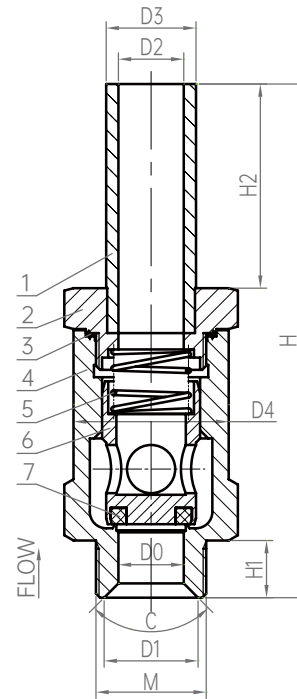
Cryogenic Check Valve

Parameters

PN: 4.0MPa
DN: Ø15
Design Temp.: -196°C ~+85°C
Media: LNG, LO₂, LN₂, LAr, CO₂



This kind of product has certified by CE,EAC,TS, ECE R110
Standards: EN1626:2008,ECE R110,TR CU 032/2013



Materials

1 Pipe	S30408	5 Spring	S30210
2 Gland Nut	S30408	6 Gate	HPb59-1
3 Washer	RPTFE	7 Gasket	PTFE
4 Body	HPb59-1		

Model No.	Specifications & Dimensions (mm)										Weight(kg)
	M	C	D0	D1	D2	D3	D4	H	H1	H2	
DH-15F	M27x2	90°	Ø16	Ø23	Ø16	Ø22	Ø38	126	14	50	8 ~ 13
DH-15F1	M30x1.5	60°	Ø16	Ø27	Ø16	Ø22	Ø38	130	18	50	16 ~ 20
DH-15F5	M36x2	90°	Ø17	Ø32	Ø16	Ø22	Ø38	130	18	50	8 ~ 13



Cryogenic Check Valve

Parameters

PN: 4.0MPa

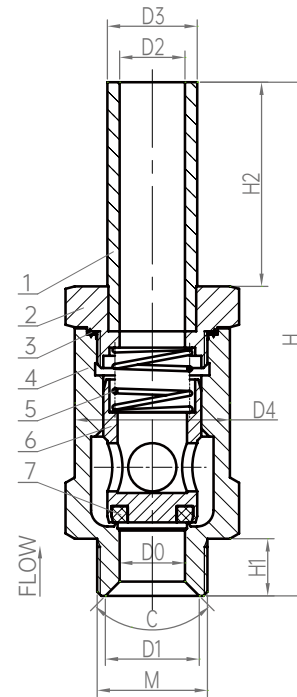
DN: Ø15

Design Temp.: -196°C ~+85°C

Media: LNG, LO₂, LN₂, LAr, CO₂



This kind of product has certified by CE,EAC,TS, ECE R110
Standards: EN1626:2008,ECE R110,TR CU 032/2013



Materials

1 Pipe	S30408	5 Gate	HPb59-1
2 Gland Nut	HPb59-1	6 Gasket	PTFE
3 Washer	RPTFE	7 Body	HPb59-1
4 Spring	S30210		

Model No.	Specifications & Dimensions (mm)										Weight(kg)
	M	C	D0	D1	D2	D3	D4	H	H1	H2	
DH-15F4	M27x2	90°	Ø16	Ø23	Ø16	Ø22	Ø38	126	14	50	
DH-15F6	M30x1.5	60°	Ø16	Ø27	Ø16	Ø22	Ø38	110	18	30	
DH-15F7	M30x1.5	90°	Ø16	Ø27	Ø16	Ø22	Ø38	130	18	50	
DH-15F10	M36x2	90°	Ø17	Ø32	Ø16	Ø22	Ø38	130	18	50	
DH-15F12	M27x2	90°	Ø16	Ø23	Ø14	Ø18	Ø38	135.5	14	60	



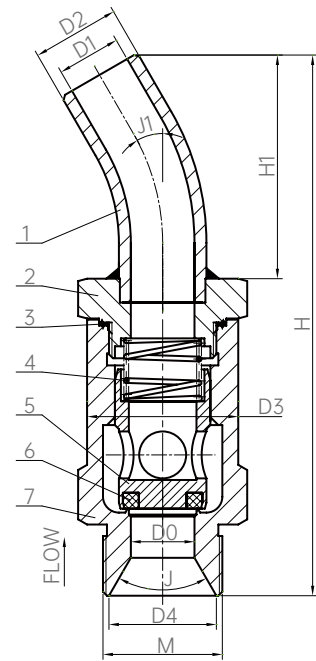
Cryogenic Check Valve

Parameters

PN: 4.0MPa
DN: Ø15
Design Temp.: -196°C ~+85°C
Media: LNG, LO₂, LN₂, LAr, CO₂



This kind of product has certified by CE,EAC,TS, ECE R110
Standards: EN1626:2008,ECE R110,TR CU 032/2013



Materials

1 Pipe	S30408	5 Gate	HPb59-1
2 Gland Nut	S30408 or HPb59-1	6 Gasket	PTFE
3 Washer	RPTFE	7 Body	HPb59-1
4 Spring	S30210		

Model No.	Specifications & Dimensions (mm)										Weight(kg)
	M	J	J1	D0	D1	D2	D3	D4	H	H1	
DH-15F8	M30x1.5	60°	20°	Ø16	Ø16	Ø22	Ø38	Ø27	138	58	
DH-15F8.01	M30x1.5	60°	30°	Ø16	Ø16	Ø22	Ø38	Ø27	161	81	
DH-15F8.02	M30x2	60°	30°	Ø16	Ø16	Ø22	Ø38	Ø27	136	56	



Cryogenic Check Valve

Parameters

PN: 4.0MPa

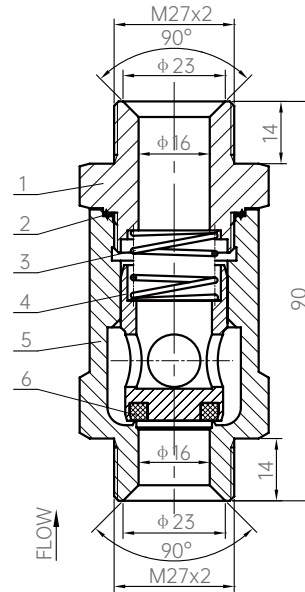
DN: Ø15

Design Temp.: -196°C ~+85°C

Media: LNG, LO₂, LN₂, LAr, CO₂



This kind of product has certified by CE,EAC,TS, ECE R110
Standards: EN1626:2008,ECE R110,TR CU 032/2013



Materials

1	Gland Nut	HPb59-1	4	Gate	HPb59-1
2	Washer	RPTFE	5	Body	HPb59-1
3	Spring	S30210	6	Gasket	PTFE

Model No.: DH-15F9



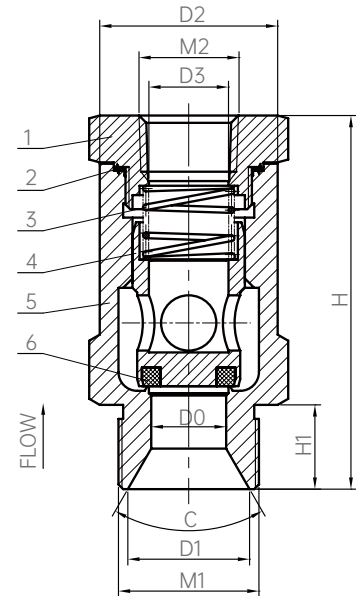
Cryogenic Check Valve

Parameters

PN: 4.0MPa
DN: Ø15
Design Temp.: -196°C ~+85°C
Media: LNG, LO₂, LN₂, LAr, CO₂



This kind of product has certified by CE,EAC,TS, ECE R110
Standards: EN1626:2008,ECE R110,TR CU 032/2013



Materials

1	Gland Nut	HPb59-1	4	Gate	HPb59-1
2	Washer	RPTFE	5	Body	HPb59-1
3	Spring	S30210	6	Washer	PTFE

Model No.	Specifications & Dimensions (mm)									Weight(kg)
	M1	M2	C	D0	D1	D2	D3	H	H1	
DH-15F2	M30x1.5	NPT1/2	60°	Ø16	Ø27	Ø38	Ø17	80	18	
DH-15F3	M22x1.5	NPT1/2	60°	Ø12	Ø18	Ø38	Ø17	80	17	
DH-15F11	M30x1.5	NPT1/2	60°	Ø17	Ø26	Ø38	Ø17	90	18	
DH-15F15	M36x2-LH	NPT1/2	90°	Ø17	Ø32	Ø38	Ø17	80	18	
DH-15F16	M36x2	NPT1/2	90°	Ø17	Ø32	Ø38	Ø17	80	18	



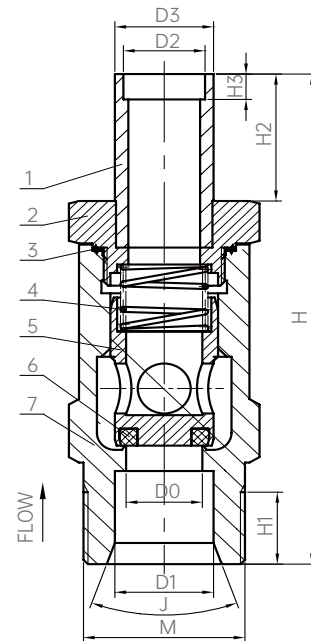
Cryogenic Check Valve

Parameters

PN: 4.0MPa
DN: Ø15
Design Temp.: -196°C ~+85°C
Media: LNG, LO₂, LN₂, LAr, CO₂



This kind of product has certified by CE,EAC,TS, ECE R110
Standards: EN1626:2008,ECE R110,TR CU 032/2013



Materials

1 Pipe	S30408	5 Gate	HPb59-1
2 Gland Nut	S30408	6 Gasket	PTFE
3 Washer	RPTFE	7 Body	HPb59-1
4 Spring	S30210		

Model No.	Specifications & Dimensions (mm)										Weight(kg)
	M1	J	D0	D1	D2	D3	H	H1	H2	H3	
DH-15F13(01)	M27x2	90°	Ø16	Ø23	Ø18.2	Ø22	106	12	30	6	
DH-15F14	M36x2	40°	Ø17	Ø22	Ø18.2	Ø22	116	17	30	6	



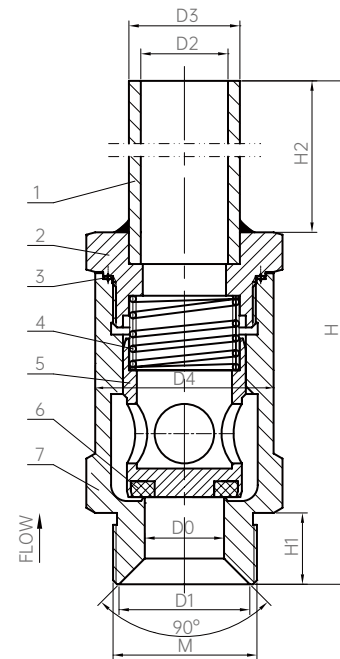
Cryogenic Check Valve

Parameters

PN: 4.0MPa
DN: Ø20
Design Temp.: -196°C ~+85°C
Media: LNG, LO₂, LN₂, LAr, CO₂



This kind of product has certified by CE,EAC,TS, ECE R110
Standards: EN1626:2008,ECE R110,TR CU 032/2013



Materials

1 Pipe	S30408	5 Gate	HPb59-1
2 Gland Nut	S30408	6 Gasket	PTFE
3 Washer	RPTFE	7 Body	HPb59-1
4 Spring	S30210		

Model No.	Specifications & Dimensions (mm)									Weight(kg)
	M	D0	D1	D2	D3	D4	H	H1	H2	
DH-20C	M36x2	Ø20	Ø32	Ø22	Ø28	Ø45	169	18	80	



Cryogenic Check Valve

Parameters

PN: 4.0MPa

DN: Ø25

Design Temp.: -196°C ~+85°C

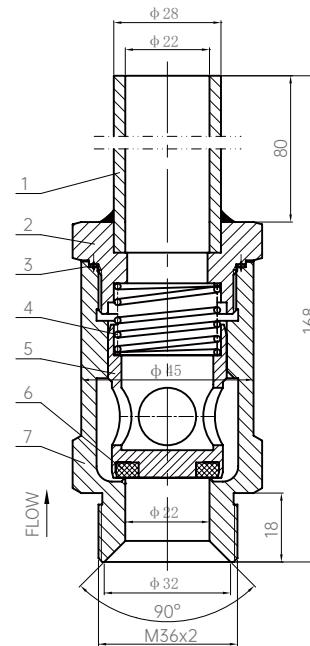
Media: LNG, LO₂, LN₂, LAr, CO₂



This kind of product has certified by CE,EAC,TS, ECE R110
Standards: EN1626:2008,ECE R110,TR CU 032/2013

Materials

1 Pipe	S30408	5 Gate	HPb59-1
2 Gland Nut	S30408	6 Gasket	PTFE
3 Washer	RPTFE	7 Body	HPb59-1
4 Spring	S30210		



Model No.: DH-25C



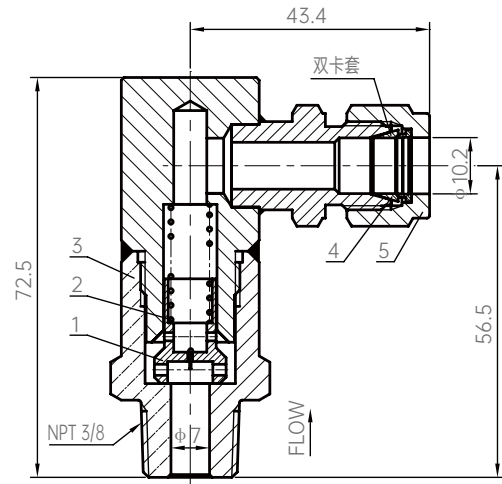
Cryogenic Excess Flow Valve

Parameters

PN: 4.0MPa
DN: Ø6
Design Temp.: -196°C ~+85°C
Media: LNG, LO₂, LN₂, LAr, CO₂



This kind of product has certified by CE,EAC,TS, ECE R110
Standards: EN1626:2008,ECE R110,TR CU 032/2013



Model No.: DL-06S

Materials

1	Disc	S30408	4	Gland	S31608
2	Spring	S30210	5	Connecting Nut	S31608
3	Body	S30408			



Cryogenic Excess Flow Valve

Parameters

PN: 4.0MPa

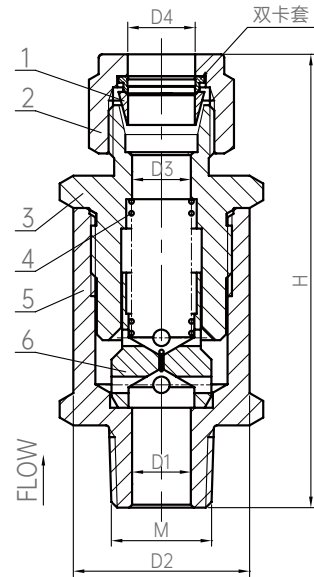
DN: Ø10

Design Temp.: -196°C ~+85°C

Media: LNG, LO₂, LN₂, LAr, CO₂



This kind of product has certified by CE,EAC,TS, ECE R110
Standards: EN1626:2008,ECE R110,TR CU 032/2013



Materials

1 Ferrule	S31608	5 Body	S30408
2 Connecting Nut	S31608	6 Disc	HPb59-1
3 Adaptor	S30408		
4 Spring	S30210		

Model No.	Specifications & Dimensions (mm)						Water Flow Rate (m ³ /h)
	H	D1	D2	D3	D4	M	
DL-10A	76	Ø10	Ø30	Ø8.5	Ø10.2	NPT 3/8	0.8 ~ 1.1
DL-10A1	76	Ø10	Ø30	Ø8.5	Ø10.1	NPT 3/8	0.8 ~ 1.1
DL-10A3	76	Ø10	Ø30	Ø8.5	Ø12.9	NPT 3/8	0.8 ~ 1.1
DL-10A4	79	Ø10	Ø30	Ø8.5	Ø12.2	NPT 1/2	0.8 ~ 1.1
DL-10A5	76	Ø10	Ø30	Ø8.5	Ø12.9	NPT 1/2	0.8 ~ 1.1
DL-10C1	76	Ø10	Ø30	Ø8.5	Ø12.2	NPT 3/8	0.8 ~ 1.1



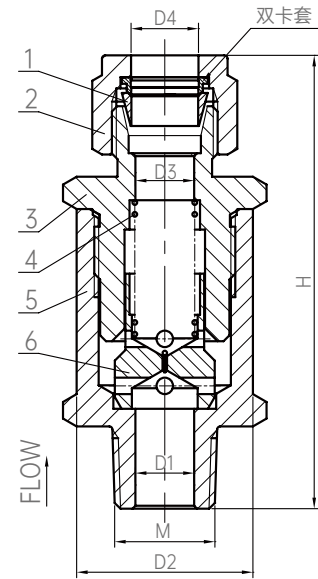
Cryogenic Excess Flow Valve

Parameters

PN: 4.0MPa
DN: Ø10
Design Temp.: -196°C ~+85°C
Media: LNG, LO₂, LN₂, LAr, CO₂



This kind of product has certified by CE,EAC,TS, ECE R110
Standards: EN1626:2008,ECE R110,TR CU 032/2013



Materials

1 Ferrule	HPb59-1	5 Body	S30408
2 Connecting Nut	S31608	6 Disc	HPb59-1
3 Adaptor	S30408		
4 Spring	S30210		

Model No.	Specifications & Dimensions (mm)						Water Flow Rate (m ³ /h)
	H	D1	D2	D3	D4	M	
DL-10A1(02)	76	Ø10	Ø30	Ø8.5	Ø10.1	NPT 3/8	0.8 ~ 1.1
DL-10A1(03)	76	Ø10	Ø30	Ø8.5	Ø10.1	NPT 3/8	0.25 ~ 0.4



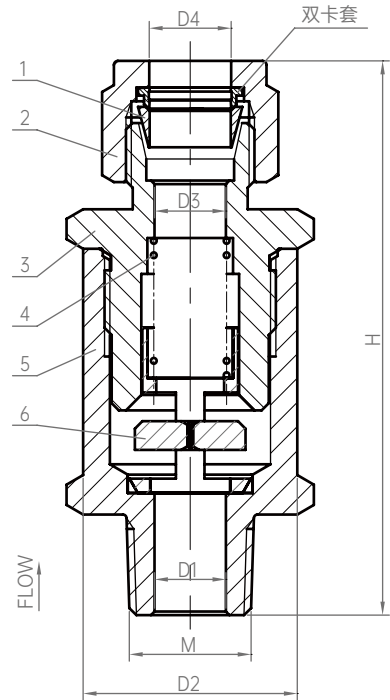
Cryogenic Excess Flow Valve

Parameters

PN: 4.0MPa
DN: Ø10
Design Temp.: -196°C ~ +85°C
Media: LNG, LO₂, LN₂, LAr, CO₂



This kind of product has certified by CE, EAC, TS, ECE R110
Standards: EN1626:2008, ECE R110, TR CU 032/2013



Materials

1 Ferrule	S31608	5 Body	S30408
2 Connecting Nut	S31608	6 Disc	HPb59-1
3 Adaptor	S30408		
4 Spring	S30210		

Model No.	Specifications & Dimensions (mm)						Water Flow Rate (m ³ /h)
	H	D1	D2	D3	D4	M	
DL-10A1(01)	76	Ø10	Ø30	Ø8.5	Ø10.1	NPT 3/8	0.25 ~ 0.4
DL-10A1(04)	76	Ø10	Ø30	Ø8.5	Ø10.1	NPT 3/8	0.8 ~ 1.1
DL-10A1.005	76	Ø10	Ø30	Ø8.5	Ø10.1	NPT 3/8	0.37 ~ 0.4



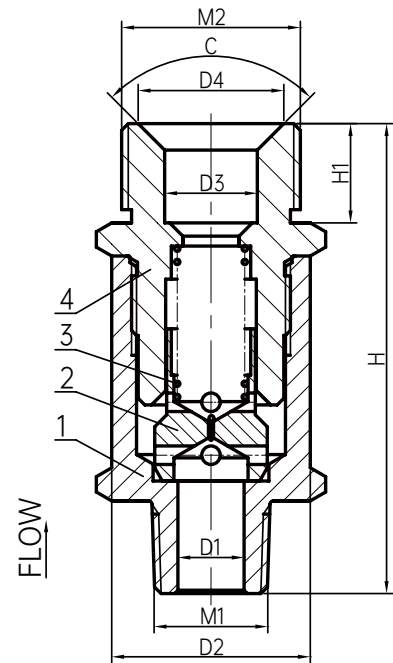
Cryogenic Excess Flow Valve

Parameters

PN: 4.0MPa
DN: Ø10
Design Temp.: -196°C ~+85°C
Media: LNG, LO₂, LN₂, LAr, CO₂



This kind of product has certified by CE,EAC,TS, ECE R110
Standards: Q31/0113000093C001,EN1626:2008,ECE R110,TR CU 032/2013



Materials

1 Body	S30408	3 Spring	S30210
2 Disc	HPb59-1	4 Adaptor	S30408

Model No.	Specifications & Dimensions (mm)									Water Flow Rate (m ³ /h)
	M1	M2	C	D1	D2	D3	D4	H	H1	
DL-10B	NPT3/8	M27×2	90°	Ø10	Ø30	Ø14	Ø22	71.5	15	0.8 ~ 1.1
DL-10B1	NPT3/8	M22×1.5	41°	Ø10	Ø30	Ø12	Ø18	71.5	15	0.8 ~ 1.1
DL-10B2	NPT3/8	G1/2	74°	Ø10	Ø30	Ø8.5	Ø18	71.5	15	0.8 ~ 1.1
DL-10B3	NPT3/8	M20×1.5	60°	Ø10	Ø30	Ø9	Ø16.5	71.5	15	0.8 ~ 1.1
DL-10B6	NPT3/8	G 1/2	60°	Ø10	Ø30	Ø9	Ø18.5	71.5	15	0.8 ~ 1.1
DL-10D	NPT3/8	M18×1.5	90°	Ø10	Ø30	Ø9	Ø14.5	68.5	12	0.8 ~ 1.1



Cryogenic Excess Flow Valve

Parameters

PN: 4.0MPa

DN: Ø10

Design Temp.: -196°C ~+85°C

Media: LNG, LO₂, LN₂, LAr, CO₂

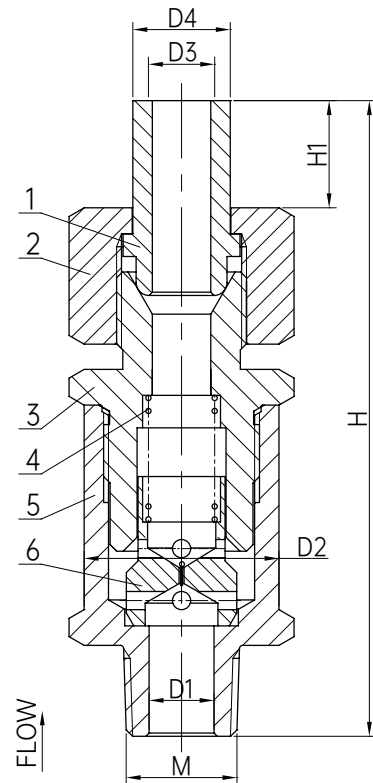


This kind of product has certified by CE,EAC,TS, ECE R110

Standards: Q31/0113000093C001,EN1626:2008,ECE R110,TR CU 032/2013

Materials

1 Pipe	S30408	4 Spring	S30210
2 Nut	S30408	5 Body	S30408
3 Connector	S30408	6 Disc	HPb59-1



Model No.	Specifications & Dimensions (mm)							Water Flow Rate (m ³ /h)
	M	D1	D2	D3	D4	H	H1	
DL-10B5	NPT 3/8	Ø10	Ø30	Ø13	Ø18	98	25	0.25 ~ 0.4



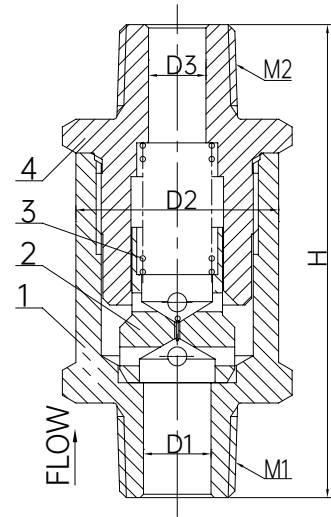
Cryogenic Excess Flow Valve

Parameters

PN: 4.0MPa
DN: Ø10
Design Temp.: -196°C ~+85°C
Media: LNG, LO₂, LN₂, LAr, CO₂



This kind of product has certified by CE,EAC,TS, ECE R110
Standards: EN1626:2008,ECE R110,TR CU 032/2013



Materials

1	Body	S30408
2	Disc	HPb59-1
3	Spring	S30210
4	Adaptor	S30408

Model No.	Specifications & Dimensions (mm)						Water Flow Rate (m ³ /h)
	M1	M2	D1	D2	D3	H	
DL-10C	NPT 3/8	NPT 3/8	Ø10	Ø30	Ø8.5	70	0.8 ~ 1.1



Cryogenic Excess Flow Valve

Parameters

PN: 4.0MPa

DN: Ø10

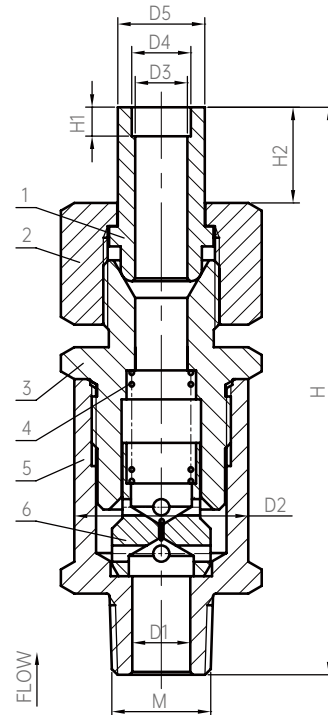
Design Temp.: -196°C ~+85°C

Media: LNG, LO₂, LN₂, LAr, CO₂



This kind of product has certified by CE,EAC,TS, ECE R110

Standards: EN1626:2008,ECE R110,TR CU 032/2013



Materials

1 Pipe	S30408		5 Body	S30408
2 Nut	S30408		6 Disc	HPb59-1
3 Adaptor	S30408			
4 Spring	S30210			

Model No.	Specifications & Dimensions (mm)									Water Flow Rate (m ³ /h)
	M	D1	D2	D3	D4	H	D4	H	H1	
DL-10B4	NPT3/8	Ø10	Ø30	Ø9	Ø10.2	Ø15	98	5	16.5	0.8 ~ 1.1
DL-10D1	NPT3/8	Ø10	Ø30	Ø9	Ø10.1	Ø13	94.5	5	15	0.8 ~ 1.1
DL-10D4	NPT3/8	Ø10	Ø30	Ø8	Ø10.1	Ø16	107	5	25	0.8 ~ 1.1
DL-10D5	NPT3/8	Ø10	Ø30	Ø8	Ø10.1	Ø16	118.5	5	39	0.8 ~ 1.1



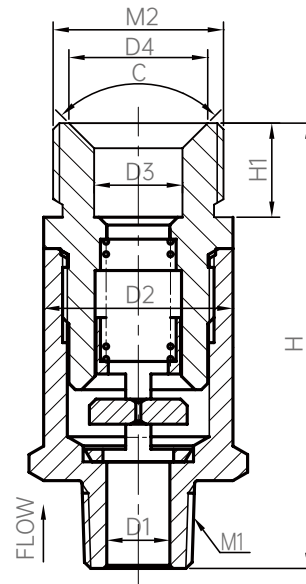
Cryogenic Excess Flow Valve

Parameters

PN: 4.0MPa
DN: Ø10
Design Temp.: -196°C ~+85°C
Media: LNG, LO₂, LN₂, LAr, CO₂



This kind of product has certified by CE,EAC,TS, ECE R110
Standards: EN1626:2008,ECE R110,TR CU 032/2013



Materials

1	Adaptor	S30408
2	Body	S30408
3	Spring	S30210
4	Disc	HPb59-1

Model No.	Specifications & Dimensions (mm)									Water Flow Rate (m ³ /h)
	M	D1	D2	D3	D4	H	D4	H	H1	
DL10B.005	NPT3/8	M27x2	90°	Ø10	Ø30	Ø14	Ø22	71.5	15	0.29 ~ 0.41
DL10B1.005	NPT3/8	M22x1.5	41°	Ø10	Ø30	Ø12	Ø18	71.5	15	0.29 ~ 0.41
DL10B3.005	NPT3/8	M20x1.5	60°	Ø10	Ø30	Ø9	Ø16.5	71.5	15	0.29 ~ 0.41
DL10D.005	NPT3/8	M18x1.5	90°	Ø10	Ø30	Ø9	Ø14.5	68.5	12	0.29 ~ 0.41



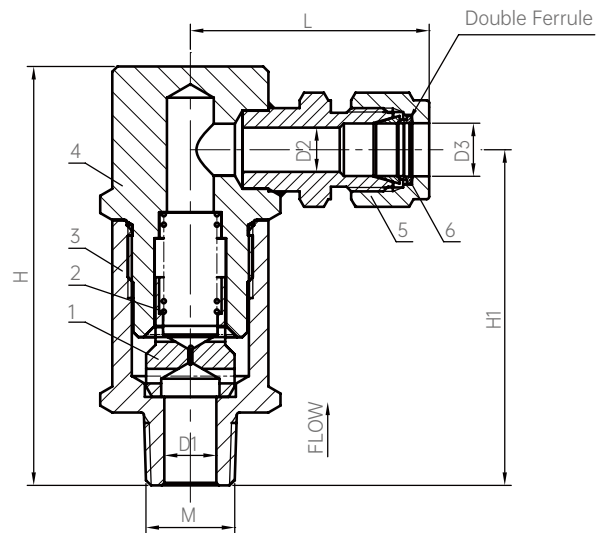
Cryogenic Excess Flow Valve

Parameters

PN: 4.0MPa
DN: Ø10
Design Temp.: -196°C ~+85°C
Media: LNG, LO₂, LN₂, LAr, CO₂



This kind of product has certified by CE,EAC,TS, ECE R110
Standards: EN1626:2008,ECE R110,TR CU 032/2013



Materials

1 Disc	HPb59-1	4 Adaptor	S30408
2 Spring	S30210	5 Connecting Nut	S31608
3 Body	S30408	6 Ferrule	S31608

Model No.	Specifications & Dimensions (mm)							Water Flow Rate (m ³ /h)
	D1	D2	D3	H	H1	L	M	
DL-10E1	Ø10	Ø8.5	Ø10.2	80.5	64.5	51	NPT3/8	0.8 ~ 1.1
DL-10E2	Ø10	Ø8.5	Ø12.2	80.5	64.5	52.5	NPT3/8	0.8 ~ 1.1
DL-10E4	Ø10	Ø6	Ø9.6	80.5	64.5	52.5	NPT3/8	0.8 ~ 1.1

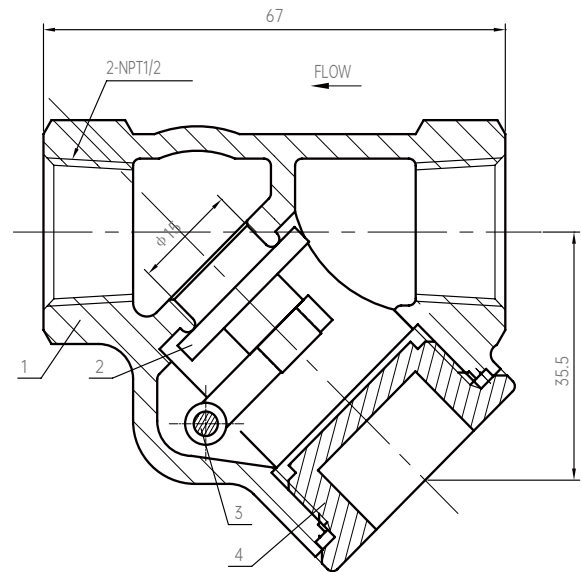
Cryogenic Excess Flow Valve

Parameters

PN: 4.0MPa
DN: Ø15
Design Temp.: -196°C ~+85°C
Media: LNG, LO₂, LN₂, LAr, CO₂



This kind of product has certified by CE,EAC,TS, ECE R110
Standards: EN1626:2008,ECE R110,TR CU 032/2013



Model No.: DL-15

Materials

1	Body	CF8
2	Disc Assembly	S30408
3	Shaft Pin	S30408
4	Bonnet	S30408



Cryogenic Excess Flow Valve

Parameters

PN: 4.0MPa

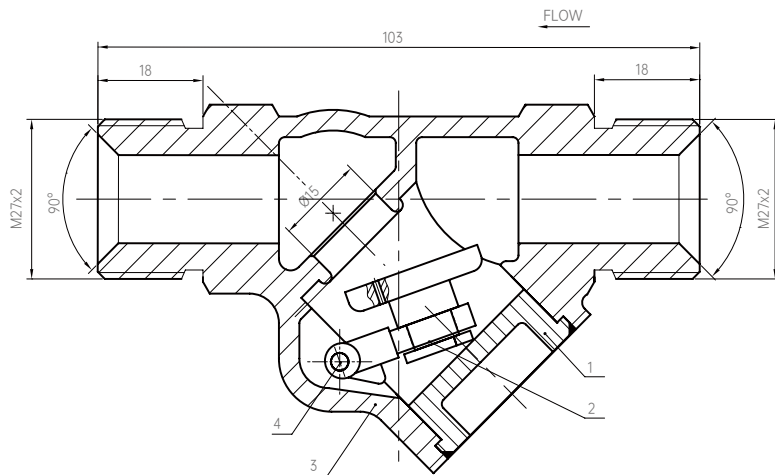
DN: Ø15

Design Temp.: -196°C ~+85°C

Media: LNG, LO₂, LN₂, LAr, CO₂



This kind of product has certified by CE,EAC,TS, ECE R110
Standards: EN1626:2008,ECE R110,TR CU 032/2013



Model No.: DL-15A

Materials

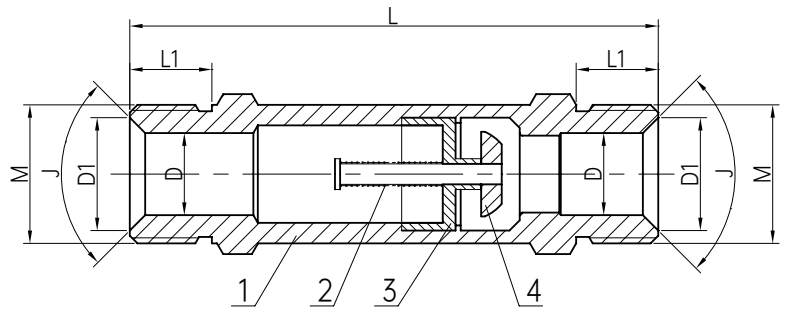
1	Bonnet	S30408
2	Disc Assembly	S30408
3	Body	CF8
4	Shaft Pin	S30408



Cryogenic Excess Flow Valve

This Excess Flow Valve can be used at the gas phase of pressure buildup system on vehicle-mounted cylinder only.

Please install the valve correctly according to the flow direction.



Parameters

PN: 4.0MPa
DN: Ø15
Design Temp.: -196°C ~+85°C
Media: LNG. LO₂. LN₂. LAr. CO₂



This kind of product has certified by CE,EAC,TS, ECE R110
Standards: Q31/0113000093C001,EN1626:2008,ECE R110,TR CU 032/2013

Materials

- 1 Body S30408
- 2 Spring S30210
- 3 Pilot Sleeve HPb59-1
- 4 Disc S30408

Model No.	Specifications & Dimensions (mm)						Gas Flow(m ³ /h)	Weight(kg)
	L	L1	D	D1	J	M		
DL-15A.002	103	16	Ø16	Ø22	90°	M27x2	1.4±0.2	
DL-15A.003	70	16	Ø16	Ø22	90°	M27x2	1.4±0.2	



Cryogenic Relief Valve

Parameters

PN: 4.0MPa

DN: Ø8

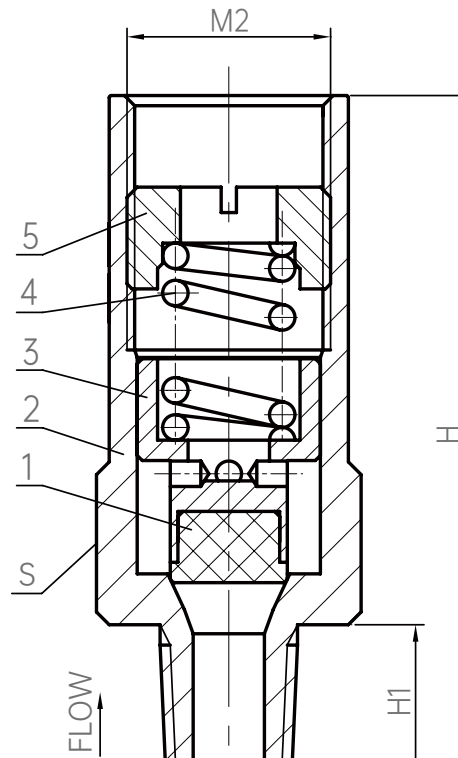
Design Temp.: -196°C ~+85°C

Media: LNG, LO₂, LN₂, LAr, CO₂

Flow Coefficient: 0.3



This kind of product has certified by CE,EAC,TS, ECE R110
Standards: EN1626:2008,ECE R110,TR CU 032/2013



Materials

- 1 Gasket PFA
- 2 Body HPb59-1
- 3 Gate HPb59-1
- 4 Spring S30210
- 5 Adjusting Nut HPb59-1

Model No.	Specifications & Dimensions (mm)						Set Pressure (Mpa)	Weight(kg)
	H	H1	D0	S	M1	M2		
DA-08C	70	15	Ø7	24	NPT 1/4	M20×1.5	0.4 ~ 1.0	
DA-08C1	70	15	Ø7	24	NPT 1/4	M20×1.5	1.01 ~ 1.76	
DA-08C2	70	15	Ø7	24	NPT 1/4	M20×1.5	1.77 ~ 2.4	
DA-08C3	70	15	Ø7	24	NPT 1/4	M20×1.5	2.41 ~ 2.76	
DA-08C5	70	15	Ø7	24	NPT 1/4	M20×1.5	2.77 ~ 4.0	



Cryogenic Relief Valve

Parameters

PN: 4.0MPa

DN: Ø8

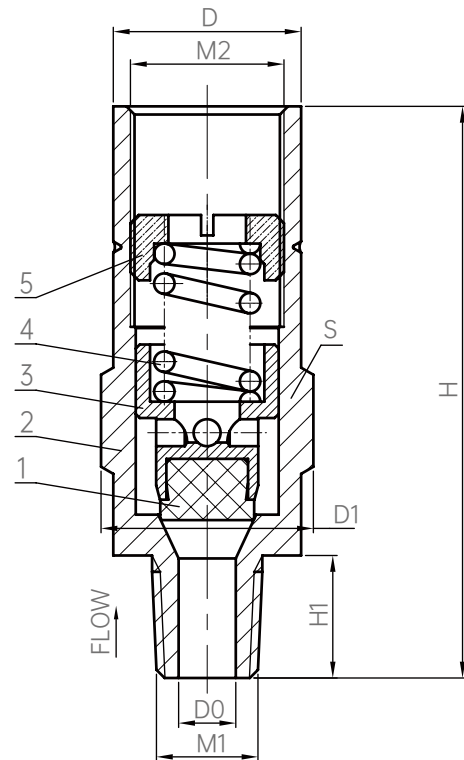
Design Temp.: -196°C ~+85°C

Media: LNG, LO₂, LN₂, LAr, CO₂

Flow Coefficient: 0.3



This kind of product has certified by CE,EAC,TS, ECE R110
Standards: EN1626:2008,ECE R110,TR CU 032/2013



Materials

- | | | |
|---|---------------|---------|
| 1 | Gasket | PFA |
| 2 | Body | HPb59-1 |
| 3 | Gate | HPb59-1 |
| 4 | Spring | S30210 |
| 5 | Adjusting Nut | HPb59-1 |

Model No.	Specifications & Dimensions (mm)						Set Pressure (Mpa)	Weight(kg)
	H	H1	D0	S	M1	M2		
DA-08F	70	15	Ø7	24	NPT 1/4	3/4-20UNEF	0.4 ~ 1.0	
DA-08F1	70	15	Ø7	24	NPT 1/4	3/4-20UNEF	1.01 ~ 1.76	
DA-08F2	70	15	Ø7	24	NPT 1/4	3/4-20UNEF	1.77 ~ 2.4	
DA-08F3	70	15	Ø7	24	NPT 1/4	3/4-20UNEF	2.41 ~ 2.76	
DA-08F5	70	15	Ø7	24	NPT 1/4	3/4-20UNEF	2.77 ~ 4.0	



Cryogenic Relief Valve

Parameters

PN: 4.0MPa

DN: Ø8

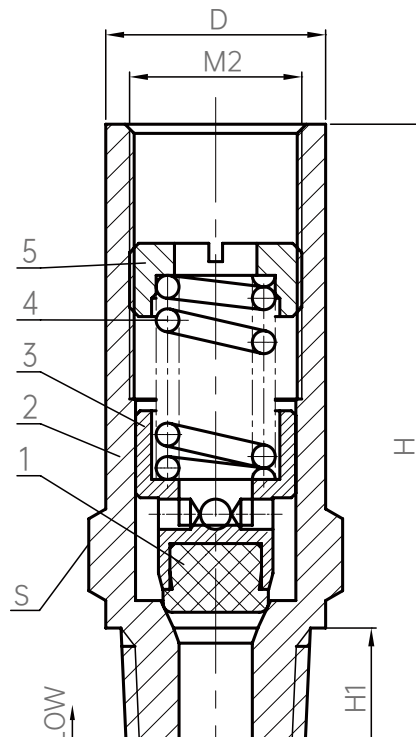
Design Temp.: -196°C ~+85°C

Media: LNG, LO₂, LN₂, LAr, CO₂

Flow Coefficient: 0.3



This kind of product has certified by CE,EAC,TS, ECE R110
Standards: EN1626:2008,ECE R110,TR CU 032/2013



Materials

- | | | |
|---|---------------|---------|
| 1 | Gasket | PFA |
| 2 | Body | HPb59-1 |
| 3 | Gate | HPb59-1 |
| 4 | Spring | S30210 |
| 5 | Adjusting Nut | HPb59-1 |

Model No.	Specifications & Dimensions (mm)						Set Pressure (Mpa)	Weight(kg)
	H	H1	D0	S	M1	M2		
DA-08G	71	16	Ø8	24	NPT 1/2	3/4-20UNEF	0.4 ~ 1.0	
DA-08G1	71	16	Ø8	24	NPT 1/2	3/4-20UNEF	1.01 ~ 1.76	
DA-08G2	71	16	Ø8	24	NPT 1/2	3/4-20UNEF	1.77 ~ 2.4	
DA-08G3	71	16	Ø8	24	NPT 1/2	3/4-20UNEF	2.41 ~ 2.76	
DA-08G5	71	16	Ø8	24	NPT 1/2	3/4-20UNEF	2.77 ~ 4.0	



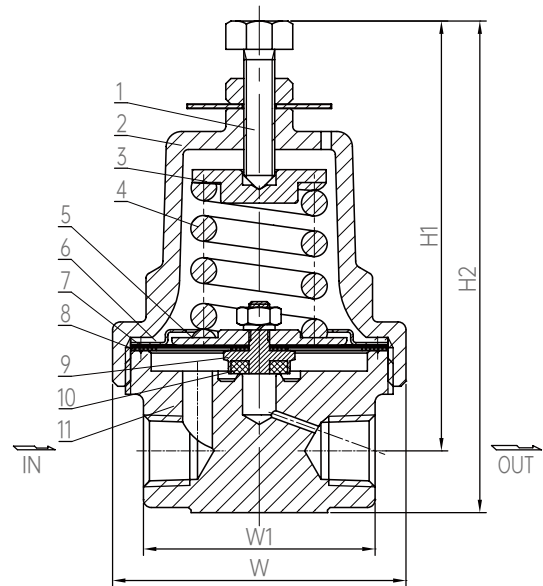
Cryogenic Economizer

Parameters

PN: 4.0MPa
DN: Ø6
Design Temp.: -196°C ~+85°C
Media: LNG, LO₂, LN₂, LAr, CO₂



This kind of product has certified by CE,EAC,TS, ECE R110
Standards: EN1626:2008,ECE R110,TR CU 032/2013



Materials

1	Adjusting Screw	S30408	5	Spring Bottom Pad	HPb59-1	9	Disc	S30408
2	Bonnet	HPb59-1	6	Gland Ring	H62	10	Gasket	PFA
3	Spring Upper Pad	S30408	7	Diaphragm	QSn6.5-0.1	11	Body	HPb59-1
4	Spring	S30210	8	Gasket	RPTFE			

Model No.	Specifications & Dimensions (mm)					Set Pressure (Mpa)	Weight(kg)
	H1	H2	W	W1	M		
DYJ-06A	88	95	Ø57	45	NPT1/4	0.2 ~ 1.6	
DYJ-06A1	88	95	Ø57	45	NPT1/4	1.0 ~ 2.76	
DYJ-06A2	88	95	Ø57	45	NPT1/4	2.77 ~ 3.5	



Cryogenic Economizer

Parameters

PN: 4.0MPa

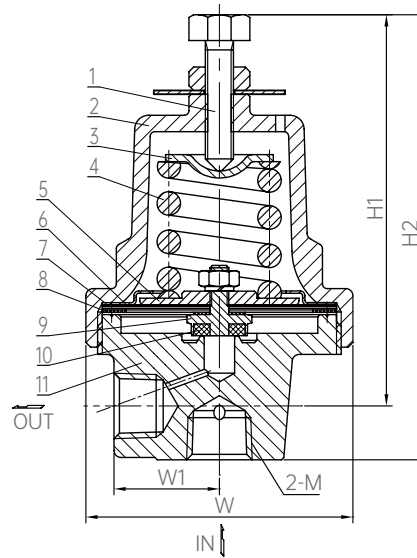
DN: Ø6

Design Temp.: -196°C ~+85°C

Media: LNG, LO₂, LN₂, LAr, CO₂



This kind of product has certified by CE,EAC,TS, ECE R110
Standards: EN1626:2008,ECE R110,TR CU 032/2013



Materials

1	Adjusting Screw	S30408	5	Spring Bottom Pad	HPb59-1	9	Disc	S30408
2	Bonnet	HPb59-1	6	Gland Ring	H62	10	Gasket	PFA
3	Spring Upper Pad	S30408	7	Diaphragm	QSn6.5-0.1	11	Body	HPb59-1
4	Spring	S30210	8	Gasket	RPTFE			

Model No.	Specifications & Dimensions (mm)					Set Pressure (Mpa)
	H1	H2	W	W1	M	
DYJ-06	81.5	93	Ø57	22.5	NPT1/4	0.2 ~ 1.6
DYJ-06B	80.5	92	Ø57	22.5	NPT1/4	1.0 ~ 2.76
DYJ-06B1	81.5	92	Ø57	22.5	NPT1/4	2.77 ~ 3.5

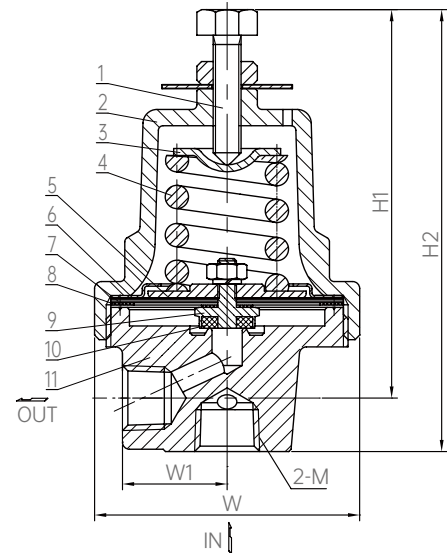
Cryogenic Economizer

Parameters

PN: 4.0MPa
DN: Ø6
Design Temp.: -196°C ~+85°C
Media: LNG, LO₂, LN₂, LAr, CO₂



This kind of product has certified by CE,EAC,TS, ECE R110
Standards: EN1626:2008,ECE R110,TR CU 032/2013



Materials

1	Adjusting Screw	S30408	5	Spring Bottom Pad	HPb59-1	9	Disc	S30408
2	Bonnet	HPb59-1	6	Gland Ring	H62	10	Gasket	PFA
3	Spring Upper Pad	S30408	7	Diaphragm	QSn6.5-0.1	11	Body	HPb59-1
4	Spring	S30210	8	Gasket	RPTFE			

Model No.	Specifications & Dimensions (mm)					Set Pressure (Mpa)
	H1	H2	W	W1	M	
DYJ-06C	88	95	Ø57	45	NPT1/4	0.2 ~ 1.6
DYJ-06C1	88	95	Ø57	45	NPT1/4	1.0 ~ 2.76
DYJ-06C2	88	95	Ø57	45	NPT1/4	2.77 ~ 3.5



Cryogenic Economizer

Parameters

PN: 4.0MPa

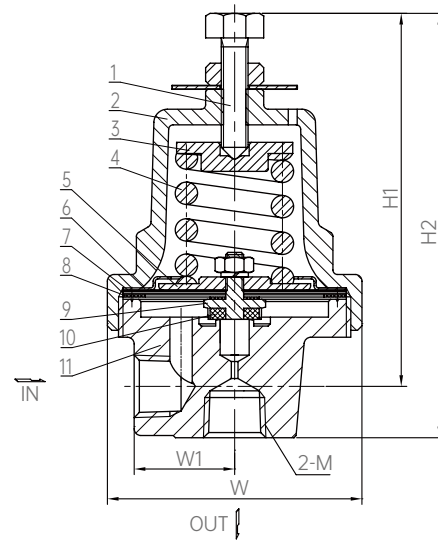
DN: Ø6

Design Temp.: -196°C ~+85°C

Media: LNG, LO₂, LN₂, LAr, CO₂



This kind of product has certified by CE,EAC,TS, ECE R110
Standards: EN1626:2008,ECE R110,TR CU 032/2013



Materials

1	Adjusting Screw	S30408	5	Spring Bottom Pad	HPb59-1	9	Disc	S30408
2	Bonnet	HPb59-1	6	Gland Ring	H62	10	Gasket	PFA
3	Spring Upper Pad	S30408	7	Diaphragm	QSn6.5-0.1	11	Body	HPb59-1
4	Spring	S30210	8	Gasket	RPTFE			

Model No.	Specifications & Dimensions (mm)					Set Pressure (Mpa)
	H1	H2	W	W1	M	
DYJ-06D	81.5	93	Ø57	22.5	NPT1/4	0.2 ~ 1.6
DYJ-06D1	80.5	92	Ø57	22.5	NPT1/4	1.0 ~ 2.76



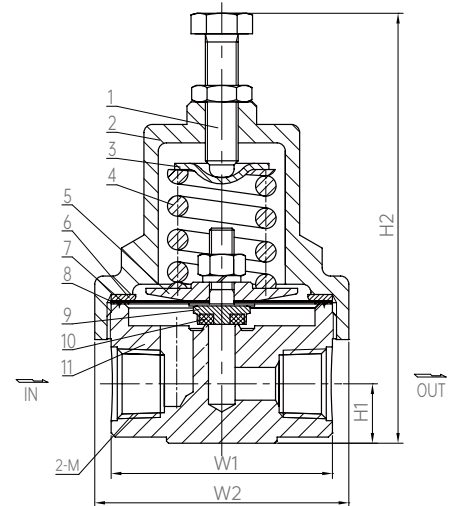
Cryogenic Economizer

Parameters

PN: 4.0MPa
DN: Ø10
Design Temp.: -196°C ~ +85°C
Media: LNG, LO₂, LN₂, LAr, CO₂



This kind of product has certified by CE, EAC, TS, ECE R110
Standards: EN1626:2008, ECE R110, TR CU 032/2013



Materials

1	Adjusting Screw	S30408	5	Spring Bottom Pad	HPb59-1	9	Disc	S30408
2	Bonnet	HPb59-1	6	Gland Ring	H62	10	Gasket	PFA
3	Spring Upper Pad	S30408	7	Diaphragm	QSn6.5-0.1	11	Body	HPb59-1
4	Spring	S30210	8	Gasket	RPTFE			

Model No.	Specifications & Dimensions (mm)					Set Pressure (Mpa)
	H1	H2	W	W1	M	
DYJ-10	14.5	105	51	Ø62	NPT 3/8	0.2 ~ 1.6
DYJ-10A	14.5	105	51	Ø62	NPT 3/8	1.0 ~ 2.76
DYJ-10A1	14.5	105	51	Ø62	NPT 3/8	2.77 ~ 3.5



Cryogenic Economizer

Parameters

PN: 4.0MPa

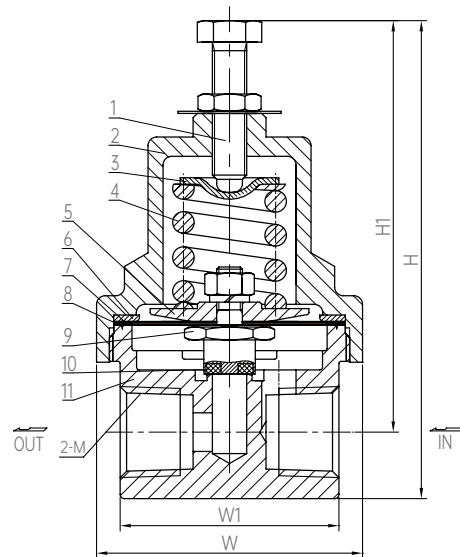
DN: Ø10

Design Temp.: -196°C ~+85°C

Media: LNG, LO₂, LN₂, LAr, CO₂



This kind of product has certified by CE,EAC,TS, ECE R110
Standards: EN1626:2008,ECE R110,TR CU 032/2013



Materials

1	Adjusting Screw	S30408	5	Spring Bottom Pad	HPb59-1	9	Disc	S30408
2	Bonnet	HPb59-1	6	Gland Ring	H62	10	Gasket	PFA
3	Spring Upper Pad	S30408	7	Diaphragm	QSn6.5-0.1	11	Body	HPb59-1
4	Spring	S30210	8	Gasket	RPTFE			

Model No.	Specifications & Dimensions (mm)					Set Pressure (Mpa)
	H1	H2	W	W1	M	
DYJ-10B	96	111	Ø62	51	NPT 1/2	0.2 ~ 1.6
DYJ-10B1	96	111	Ø62	51	NPT 1/2	1.0 ~ 2.76
DYJ-10B2	96	111	Ø62	51	NPT 1/2	2.77 ~ 3.5



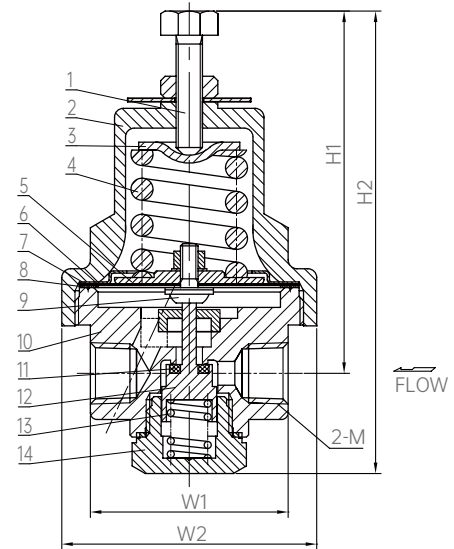
Cryogenic Regulator

Parameters

PN: 4.0MPa
DN: Ø6
Design Temp.: -196°C ~+85°C
Media: LNG, LO₂, LN₂, LAr, CO₂



This kind of product has certified by CE,EAC,TS, ECE R110
Standards: EN1626:2008,ECE R110,TR CU 032/2013



Materials

1	Adjusting Screw	S30408	6	Gland Ring	H62	11	Gasket	PFA
2	Bonnet	HPb59-1	7	Diaphragm	QSn6.5-0.1	12	Disc	S30408
3	Spring Upper Pad	S30408	8	Gasket	RPTFE	13	Small Spring	S30210
4	Spring	S30210	9	Top Cover	S30408	14	Plug Screw	HPb59-1
5	Spring Bottom Pad	HPb59-1	10	Body	HPb59-1			

Model No.	Specifications & Dimensions (mm)					Set Pressure (Mpa)
	W1	W2	H1	H2	M	
DYS-06	45	Ø57	81	102	NPT 1/4	0.2 ~ 1.6
DYS-06A	45	Ø57	81	102	NPT 1/4	1.0 ~ 2.76



Cryogenic Regulator

Parameters

PN: 4.0MPa

DN: Ø10

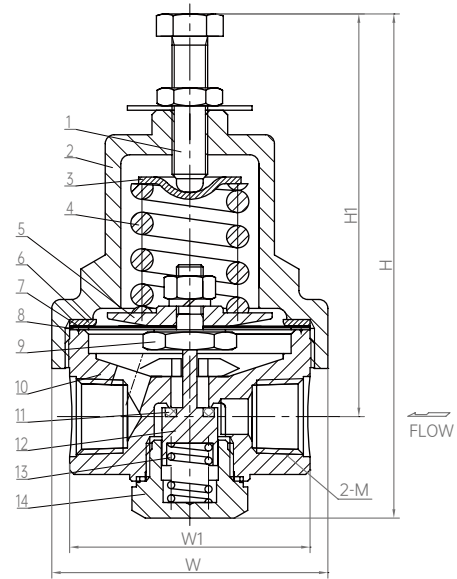
Design Temp.: -196°C ~+85°C

Media: LNG, LO₂, LN₂, LAr, CO₂



This kind of product has certified by CE,EAC,TS, ECE R110

Standards: EN1626:2008,ECE R110,TR CU 032/2013



Materials

1	Adjusting Screw	S30408	6	Gland Ring	H62	11	Gasket	PFA
2	Bonnet	HPb59-1	7	Diaphragm	QSn6.5-0.1	12	Disc	S30408
3	Spring Upper Pad	S30408	8	Gasket	RPTFE	13	Small Spring	S30210
4	Spring	S30210	9	Top Cover	S30408	14	Plug Screw	HPb59-1
5	Spring Bottom Pad	HPb59-1	10	Body	HPb59-1			

Model No.	Specifications & Dimensions (mm)					Set Pressure (Mpa)
	W1	W	H1	H	M	
DYS-10	45	Ø57	81	103	NPT 3/8	0.2 ~ 1.6
DYS-10A	45	Ø57	81	103	NPT 3/8	1.5 ~ 3.0



Cryogenic Regulator

Parameters

PN: 4.0MPa

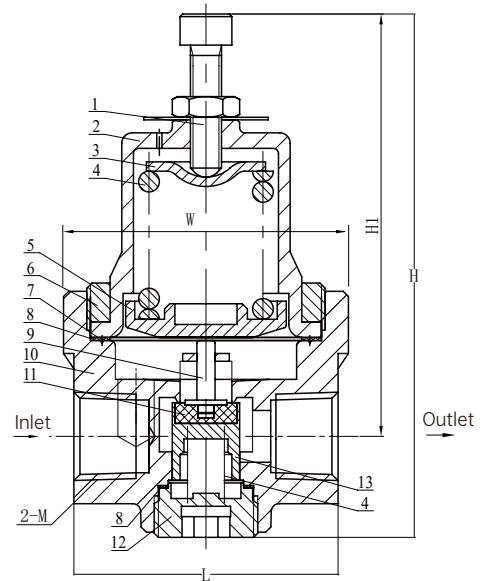
DN: Ø10

Design Temp.: -196°C ~+85°C

Media: LNG, LO₂, LN₂, LAr, CO₂



This kind of product has certified by CE,EAC,TS, ECE R110
Standards: EN1626:2008,ECE R110,TR CU 032/2013



Materials

1	Adjusting Screw	S30408	6	Lock Nut	HPb59-1	11	Disc Gasket	PTFE
2	Bonnet	HPb59-1	7	Diaphragm	QSn6.5-0.1	12	Plug Screw	HPb59-1
3	Spring Upper Pad	S30408	8	Gasket	RPTFE	13	Disc	HPb59-1
4	Spring	S30210	9	Ejector bar	HPb59-1			
5	Spring Bottom Pad	HPb59-1	10	Body	HPb59-1			

Model No.	Specifications & Dimensions (mm)					Set Pressure (Mpa)
	W	L	H	H1	M	
DYS-10F	Ø55	51	101	82	NPT 3/8	0.2 ~ 1.6



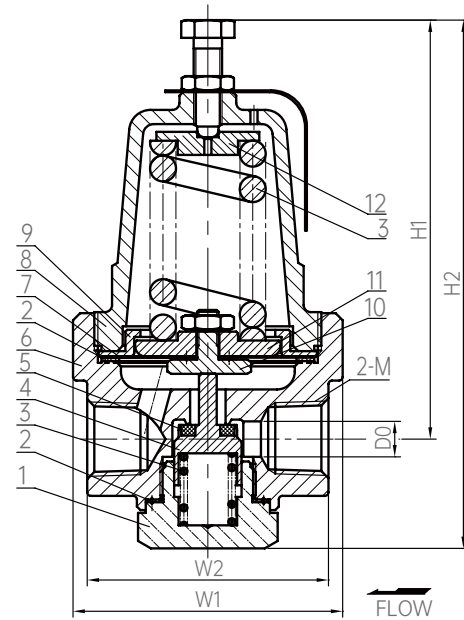
Cryogenic Regulator

Parameters

PN: 4.0MPa
DN: Ø15
Design Temp.: -196°C ~+85°C
Media: LNG, LO₂, LN₂, LAr, CO₂



This kind of product has certified by CE,EAC,TS, ECE R110
Standards: EN1626:2008,ECE R110,TR CU 032/2013



Materials

1 Lower Cover	HPb59-1	6 Body	HPb59-1	11 Plate	HPb59-1
2 Gasket	RPTFE	7 Diaphragm	QSn6.5-0.1	12 Block	HPb59-1
3 Spring	S30210	8 Bonnet	HPb59-1		
4 Disc	S30408	9 Gland Ring	H62		
5 Gasket	PTFE+MoS2	10 Top Cover	S30408		

Model No.	Specifications & Dimensions (mm)						Set Pressure (Mpa)	Weight(kg)
	H1	H2	W1	W2	D0	M		
DYS-15B	110	141	Ø76	68	Ø10	NPT 1/2	0.2 ~ 1.6	
DYS-15B1	113	144	Ø76	68	Ø10	NPT 1/2	1.6 ~ 3.0	
DYS-15B2	113	144	Ø76	68	Ø10	NPT 1/2	3.0 ~ 3.5	



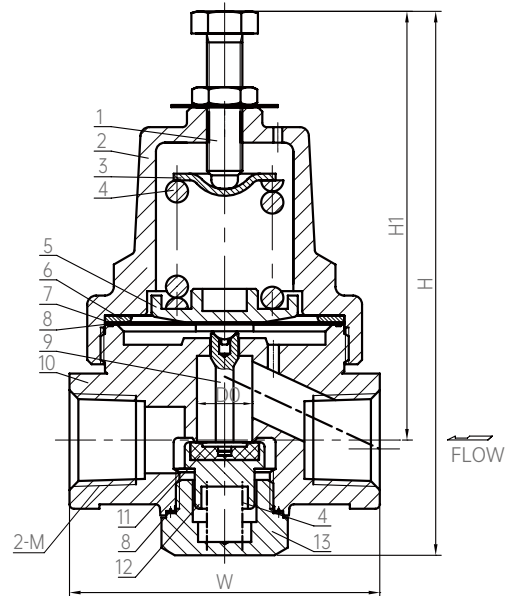
Cryogenic Regulator

Parameters

PN: 4.0MPa
DN: Ø15
Design Temp.: -196°C ~+85°C
Media: LNG, LO₂, LN₂, LAr, CO₂



This kind of product has certified by CE,EAC,TS, ECE R110
Standards: EN1626:2008,ECE R110,TR CU 032/2013



Materials

1	Adjusting Screw	S30408	6	Gland Ring	HPb59-1	11	Gasket	PFA
2	Bonnet	HPb59-1	7	Diaphragm	QSn6.5-0.1	12	Disc	HPb59-1
3	Spring Upper Pad	S30408	8	Gasket	RPTFE	13	Plug Screw	HPb59-1
4	Spring	S30210	9	Ejector bar	HPb59-1			
5	Spring Bottom Pad	HPb59-1	10	Body	HPb59-1			

Model No.	Specifications & Dimensions (mm)					Set Pressure (Mpa)	Weight(kg)
	H1	H	W	D0	M		
DYS-15F	97	123	70	Ø12.5	NPT 1/2	0.2 ~ 1.6	
DYS-15F2	97	123	70	Ø12.5	NPT 1/2	3.0 ~ 3.5	



Cryogenic Regulator

Parameters

PN: 4.0MPa

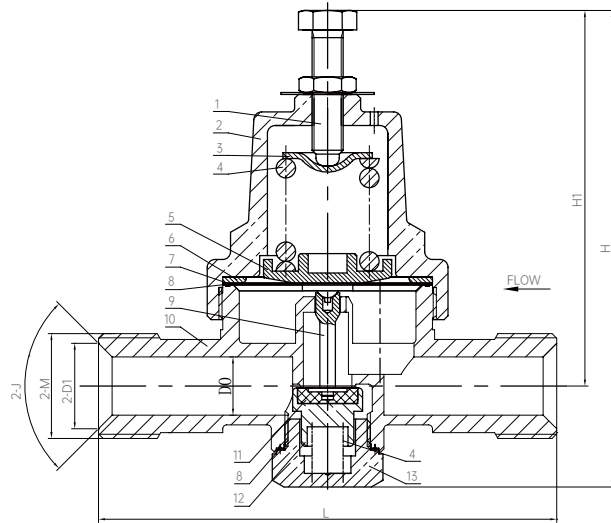
DN: Ø15

Design Temp.: -196°C ~+85°C

Media: LNG, LO₂, LN₂, LAr, CO₂



This kind of product has certified by CE,EAC,TS, ECE R110
Standards: EN1626:2008,ECE R110,TR CU 032/2013



Materials

1	Adjusting Screw	S30408	6	Gland Ring	HPb59-1	11	Gasket	PFA
2	Bonnet	HPb59-1	7	Diaphragm	QSn6.5-0.1	12	Disc	HPb59-1
3	Spring Upper Pad	S30408	8	Gasket	RPTFE	13	Plug Screw	HPb59-1
4	Spring	S30210	9	Ejector bar	HPb59-1			
5	Spring Bottom Pad	HPb59-1	10	Body	HPb59-1			

Model No.	Specifications & Dimensions (mm)							Set Pressure (Mpa)	Weight(kg)
	H1	H	L	D0	D1	J	M		
DYS-15L	96	122	95	Ø15	22	90°	M27×2	0.2 ~ 1.6	

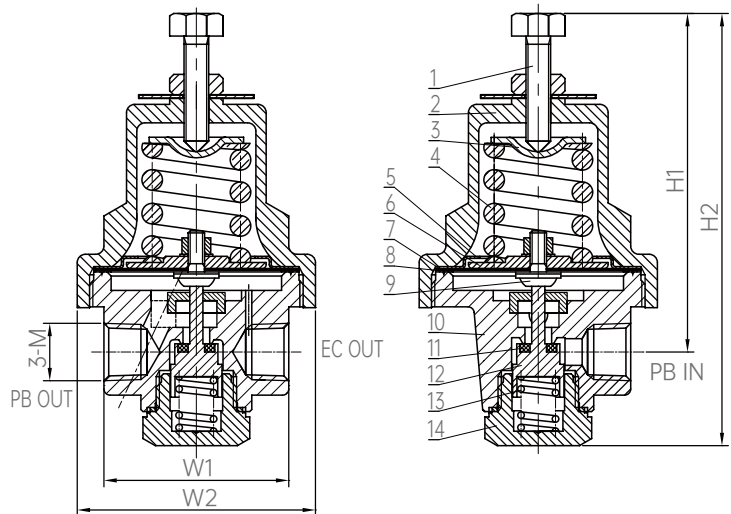
Cryogenic Combined Regulator

Parameters

PN: 4.0MPa
DN: Ø6
Design Temp.: -196°C ~+85°C
Media: LNG, LO₂, LN₂, LAr, CO₂



This kind of product has certified by CE,EAC,TS, ECE R110
Standards: EN1626:2008,ECE R110,TR CU 032/2013



Materials

1	Adjusting Screw	S30408	6	Spring Bottom Pad	HPb59-1	11	Gasket	PFA
2	Bonnet	HPb59-1	7	Diaphragm	QSn6.5-0.1	12	Disc	S30408
3	Spring Upper Pad	S30408	8	Gasket	RPTFE	13	Small Spring	S30210
4	Spring	S30210	9	Top Cover	S30408	14	Plug Screw	HPb59-1
5	Gland Ring	H62	10	Body	HPb59-1			

Model No.	Specifications & Dimensions (mm)					Set Pressure (Mpa)	Weight(kg)
	W1	W2	H1	H2	M		
DYZ-06	45	Ø57	80	102	NPT 1/4	0.2 ~ 1.6	
DYZ-06A	45	Ø57	80	102	NPT 1/4	1.0 ~ 2.76	
DYZ-06A2	45	Ø57	80	102	NPT 1/4	2.77 ~ 3.5	



Cryogenic Combined Regulator

Parameters

PN: 4.0MPa

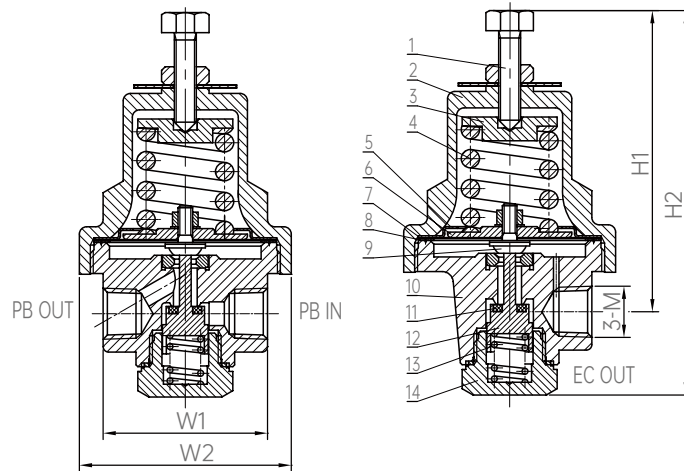
DN: Ø6

Design Temp.: -196°C ~+85°C

Media: LNG, LO₂, LN₂, LAr, CO₂



This kind of product has certified by CE,EAC,TS, ECE R110
Standards: EN1626:2008,ECE R110,TR CU 032/2013



Materials

1	Adjusting Screw	S30408	6	Spring Bottom Pad	HPb59-1	11	Gasket	PFA
2	Bonnet	HPb59-1	7	Diaphragm	QSn6.5-0.1	12	Disc	S30408
3	Spring Upper Pad	S30408	8	Gasket	RPTFE	13	Small Spring	S30210
4	Spring	S30210	9	Top Cover	S30408	14	Plug Screw	HPb59-1
5	Gland Ring	H62	10	Body	HPb59-1			

Model No.	Specifications & Dimensions (mm)					Set Pressure (Mpa)	Weight(kg)
	W1	W2	H1	H2	M		
DYZ-06B	45	Ø57	80	102	NPT 1/4	0.2 ~ 1.6	
DYZ-06C	45	Ø57	80	102	NPT 1/4	1.0 ~ 2.76	



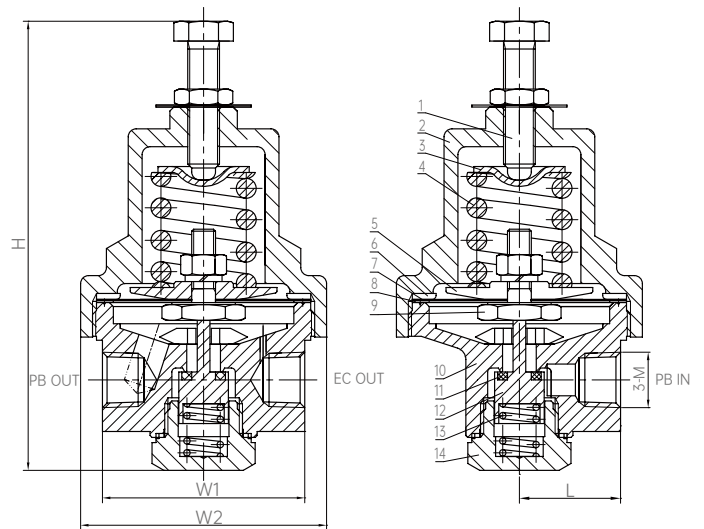
Cryogenic Combined Regulator

Parameters

PN: 4.0MPa
DN: Ø10
Design Temp.: -196°C ~+85°C
Media: LNG, LO₂, LN₂, LAr, CO₂



This kind of product has certified by CE,EAC,TS, ECE R110
Standards: EN1626:2008,ECE R110,TR CU 032/2013



Materials

1	Adjusting Screw	S30408	6	Gland Ring	H62	11	Gasket	PTFE+MoS2
2	Bonnet	HPb59-1	7	Diaphragm	QSn6.5-0.1	12	Disc	S30408
3	Spring Upper Pad	S30408	8	Gasket	RPTFE	13	Small Spring	S30210
4	Spring	S30210	9	Top Cover	S30408	14	Plug Screw	HPb59-1
5	Spring Bottom Pad	HPb59-1	10	Body	HPb59-1			

Model No.	Specifications & Dimensions (mm)					Set Pressure (Mpa)	Weight(kg)
	W1	W2	H1	H2	M		
DYZ-10	51	Ø62	115	25.5	NPT 3/8	0.2 ~ 1.6	
DYZ-10A	51	Ø62	115	25.5	NPT 3/8	1.5 ~ 3.0	
DYZ-10B	51	Ø62	115	25.5	NPT 1/4	0.2 ~ 1.6	
DYZ-10B1	51	Ø62	115	25.5	NPT 1/4	1.5 ~ 3.0	



Cryogenic Fueling Receptacle

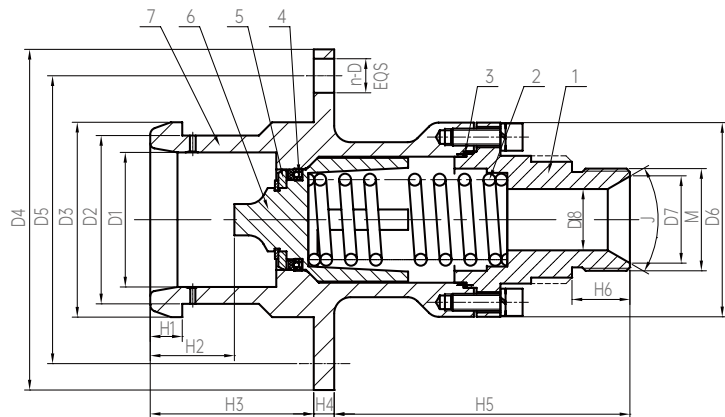
Parameters

PN: 4.0MPa

DN: Ø25

Design Temp.: -196°C ~+85°C

Media: LNG, LO₂, LN₂, LAr, CO₂



This kind of product has certified by CE,EAC,TS, ECE R110
Standards: EN1626:2008,ECE R110,TR CU 032/2013

Materials

1 Upper Bonnet	HPb59-1	6 Sealing Cover	S30408
2 Spring	S30210	7 Circlip	S30408
3 Hexagon Screw	S30408	8 Spring Seat	S30408
4 Washer A	D#9000	9 Connector	S30408
5 Washer B	PTFE+S30210		

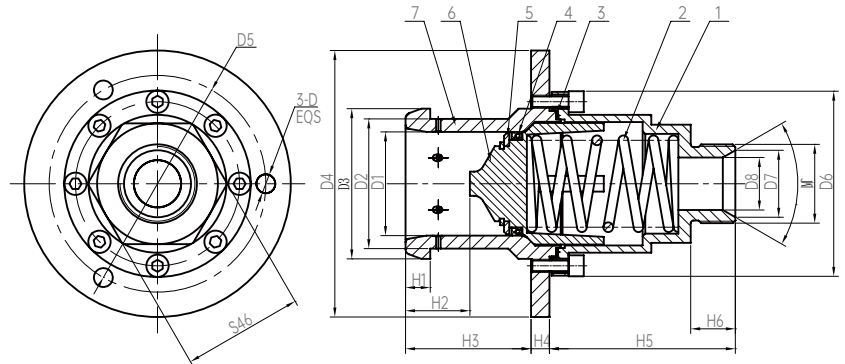
Model No.	Specifications & Dimensions (mm)																
	n-D	D1	D2	D3	D4	D5	D6	D7	D8	H1	H2	H3	H4	H5	H6	M	J1
DJK-25C	4-Ø10	Ø39.5	Ø49	Ø57	Ø100	Ø85	Ø57	Ø25.5	Ø18	10	25.5	48	6	90	17	M30x1.5	60°
DJK-25C1	3-Ø7.2	Ø39.5	Ø49	Ø57	Ø100	Ø82.5	Ø57	Ø25.5	Ø18	10	25.5	48	6	75.5	17	M30x1.5	60°
DJK-25C2	4-Ø10	Ø39.5	Ø49	Ø57	Ø100	Ø85	Ø57	Ø30	Ø18	10	25.5	48	6	91	21	M36x2	90°
DJK-25C5	4-Ø10	Ø39.5	Ø49	Ø57	Ø100	Ø85	Ø57	Ø30	Ø18	10	25.5	48	6	80	21	M36x2	90°
DJK-25C6	4-Ø10	Ø39.5	Ø49	Ø57	Ø100	Ø85	Ø57	Ø25.5	Ø18	10	25.5	48	6	80	17	M30x1.5	60°



Cryogenic Fueling Receptacle

Parameters

PN: 4.0MPa
DN: Ø25
Design Temp.: -196°C ~+85°C
Media: LNG, LO₂, LN₂, LAr, CO₂



This kind of product has certified by CE,EAC,TS, ECE R110
Standards: EN1626:2008,ECE R110,TR CU 032/2013

Materials

1 Upper Bonnet	HPb59-1	6 Sealing Cover	S30408
2 Spring	S30210	7 Circlip	S30408
3 Hexagon Screw	S30408	8 Spring Seat	S30408
4 Washer A	D#9000	9 Connector	S30408
5 Washer B	PTFE+S30210		

Model No.	Specifications & Dimensions (mm)																
	D	D1	D2	D3	D4	D5	D6	D7	D8	H1	H2	H3	H4	H5	H6	M	J1
DJK-25D1	Ø7.2	Ø39.5	Ø49	Ø57	Ø101.5	Ø82.5	Ø70.5	Ø25.5	Ø20	10	25.5	48	7	70.5	17	M30x1.5	60°
DJK-25D2	Ø7.2	Ø39.5	Ø49	Ø57	Ø101.5	Ø82.5	Ø70.5	Ø30	Ø15	10	25.5	48	7	70.5	17	M36x2	72°
DJK-25D4	Ø7.2	Ø39.5	Ø49	Ø57	Ø101.5	Ø82.5	Ø70.5	Ø25.5	Ø20	10	25.5	48	7	70.5	17	M30x1.5	60°
DJK-25D5	Ø7.2	Ø39.5	Ø49	Ø57	Ø101.5	Ø82.5	Ø70.5	Ø25.5	Ø20	10	25.5	48	7	70.5	17	M30x1.5	60°
DJK-25C6	4-Ø10	Ø39.5	Ø49	Ø57	Ø100	Ø85	Ø57	Ø25.5	Ø18	10	25.5	48	6	80	17	M30x1.5	60°



Cryogenic Fueling Receptacle

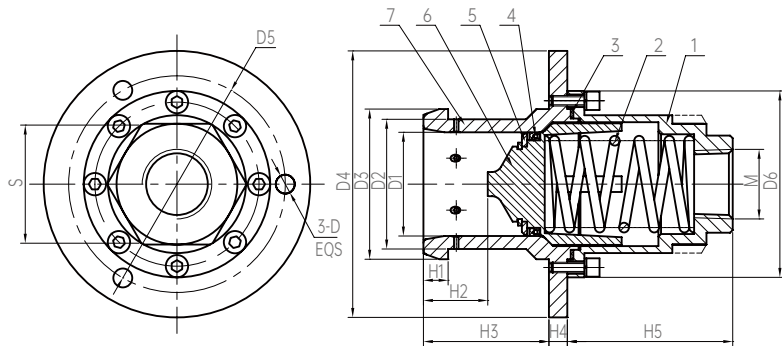
Parameters

PN: 4.0MPa

DN: Ø25

Design Temp.: -196°C ~+85°C

Media: LNG, LO₂, LN₂, LAr, CO₂



This kind of product has certified by CE,EAC,TS, ECE R110
Standards: EN1626:2008,ECE R110,TR CU 032/2013

Materials

1 Upper Bonnet	HPb59-1	5 Sealing Cover	S30408
2 Spring	S30210	6 Spring Seat	S30408
3 Washer A	D#9000	7 Connector	S30408
4 Washer B	PTFE+S30210		

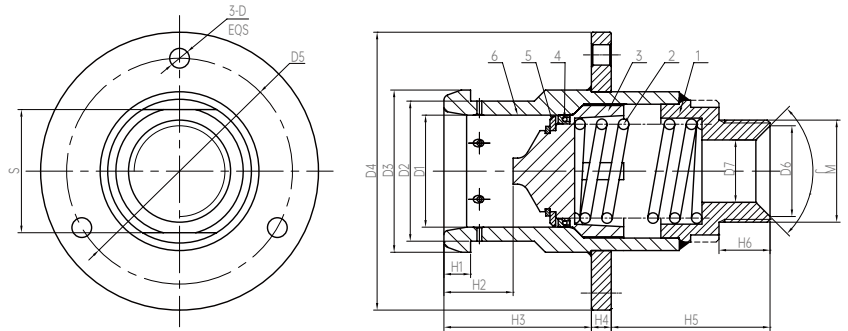
Model No.	Specifications & Dimensions (mm)													
	D	D1	D2	D3	D4	D5	D6	H1	H2	H3	H4	H5	S	M
DJK-25E	Ø7.2	Ø39.5	Ø49	Ø57	Ø101.5	Ø82.5	Ø71	10	25.5	48	7	63	46	NPT3/4



Cryogenic Fueling Receptacle

Parameters

PN: 4.0MPa
DN: Ø25
Design Temp.: -196°C ~+85°C
Media: LNG, LO₂, LN₂, LAr, CO₂



This kind of product has certified by CE,EAC,TS, ECE R110
Standards: EN1626:2008,ECE R110,TR CU 032/2013

Materials

1	Upper Bonnet	HPb59-1	4	Washer	PTFE+S30210
2	Spring	S30210	5	Sealing Cover	S30408
3	Spring Seat	S30408	6	Connector	S30408

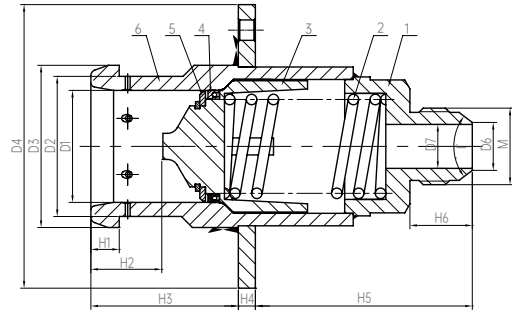
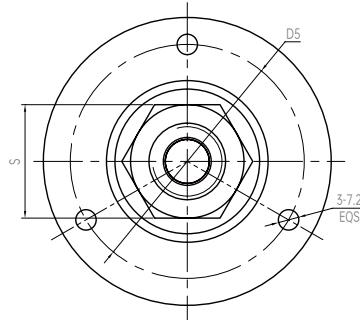
Model No.	Specifications & Dimensions (mm)																
	D	D1	D2	D3	D4	D5	D6	D7	S	H1	H2	H3	H4	H5	H6	M	J
DJK-25F	Ø7	Ø39.5	Ø49	Ø57	Ø98	Ø82	32	Ø22	45	10	25.4	48	7	56	18	M36×2	60°



Cryogenic Fueling Receptacle

Parameters

PN: 4.0MPa
DN: Ø25
Design Temp.: -196°C ~+85°C
Media: LNG, LO₂, LN₂, LAr, CO₂



This kind of product has certified by CE,EAC,TS, ECE R110
Standards: EN1626:2008,ECE R110,TR CU 032/2013

Materials

1 Upper Bonnet	HPb59-1	4 Washer	PTFE+S30210
2 Spring	S30210	5 Sealing Cover	S30408
3 Spring Seat	S30408	6 Connector	S30408

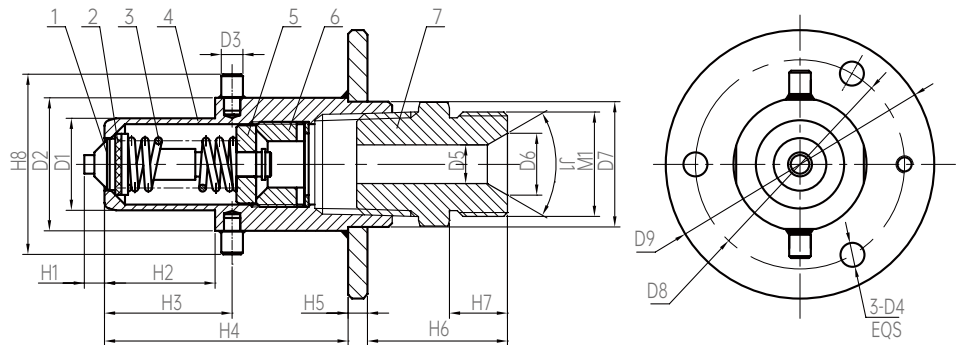
Model No.	Specifications & Dimensions (mm)																
	D	D1	D2	D3	D4	D5	D6	D7	S	H1	H2	H3	H4	H5	H6	M	J
DJK-25F1	Ø7.2	Ø39.5	Ø49	Ø57	Ø101	Ø82.5	Ø16.9	Ø15.5	41	10	25.4	52	6	76.5	22	11/16-12UN	74°



Cryogenic Venting Receptacle

Parameters

PN: 4.0MPa
DN: Ø10
Design Temp.: -196°C ~+85°C
Media: LNG, LO₂, LN₂, LAr, CO₂



This kind of product has certified by CE,EAC,TS, ECE R110
Standards: EN1626:2008,ECE R110,TR CU 032/2013

Materials

1	Disc	S30408	5	Spring Seat	S30408
2	Gasket	PTFE+MoS2	6	Gland Nut	S30408
3	Spring	S30210	7	Connector	HPb59-1
4	Body Assembly	S30408			

Model No.	Specifications & Dimensions (mm)																		
	D1	D2	D3	D4	D5	D6	D7	D8	D9	H1	H2	H3	H4	H5	H6	H7	H8	J1	M1
DHK-10	Ø23.8	Ø34.5	Ø5.5	Ø6.2	Ø14	Ø24	Ø32.5	Ø54	Ø68	5	28.5	33	63	5	36	15	46.5	90°	M27x2
DHK-10A	Ø23.8	Ø34.5	Ø5.5	Ø6.2	Ø10	Ø18	Ø32.5	Ø52	Ø68	5	28.5	33	63	5	36	15	46.5	90°	M22x1.5
DHK-10C	Ø23.8	Ø34.5	Ø5.5	Ø6.2	Ø10	Ø16	Ø32.5	Ø54	Ø68	5	28.5	33	63	5	36	15	46.5	60°	M20x1.5
DHK-10C1	Ø23.8	Ø34.5	Ø5.5	Ø6.2	Ø10	Ø15.5	Ø32.5	Ø54	Ø68	5	28.5	33	63	5	36	15	46.5	90°	M18x1.5
DHK-10C3	Ø23.8	Ø34.5	Ø5.5	Ø6.2	Ø10	Ø16	Ø32.5	Ø54	Ø68	5	28.5	33	63	5	36	15	46.5	90°	M20x1.5
DHK-10E	Ø23.8	Ø34.5	Ø5.5	Ø6.2	Ø10	Ø18	Ø32.5	Ø54	Ø68	5	28.5	33	63	5	36	15	46.5	90°	M22x1.5
DHK-10E1	Ø23.8	Ø34.5	Ø5.5	Ø6.2	Ø10	Ø18	Ø32.5	Ø52	Ø68	5	28.5	33	63	5	36	15	46.5	60°	M22x1.5
DHK-10H1	Ø23.8	Ø34.5	Ø5.5	Ø6.2	Ø10	Ø16	Ø32.5	Ø54	Ø68	5	28.5	33	63	5	36	15	46.5	60°	M27x2



Cryogenic Venting Receptacle

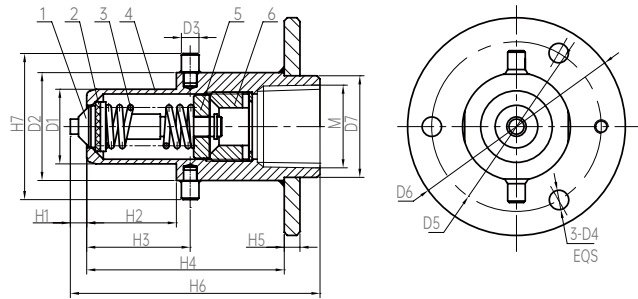
Parameters

PN: 4.0MPa

DN: Ø10

Design Temp.: -196°C ~+85°C

Media: LNG, LO₂, LN₂, LAr, CO₂



This kind of product has certified by CE,EAC,TS, ECE R110
Standards: EN1626:2008,ECE R110,TR CU 032/2013

Materials

1	Disc	S30408	4	Body Assembly	S30408
2	Gasket	PTFE+MoS2	5	Spring Seat	S30408
3	Spring	S30210	6	Gland Nut	S30408

Model No.	Specifications & Dimensions (mm)																		
	D1	D2	D3	D4	D5	D6	D7	H1	H2	H3	H4	H5	H6	H7	M	H7	H8	J1	M1
DHK-10C5	Ø23.8	Ø34.5	Ø5.5	Ø6.2	Ø54	Ø68	Ø32.4	5	28.5	33	63	5	80	46.5	NPT3/4	15	46.5	90°	M27x2



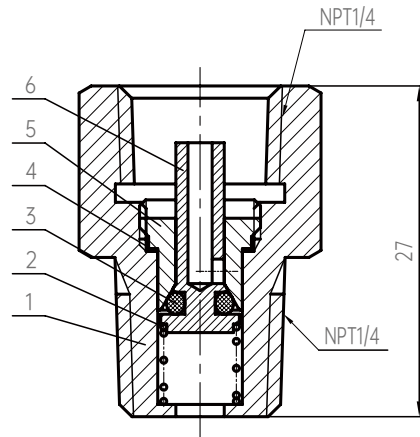
Check Valve

Parameters

PN: 4.0MPa
DN: Ø6
Design Temp.: -40°C ~+85°C
Media: NG, O₂, N₂, Ar, CO₂

Materials

1	Shell	S30408
2	Spring	S30210
3	O Ring	HNBR
4	Gasket	PTFE
5	Screw Plug	HPb59-1
6	Valve Trim	HPb59-1



Model No.: BZ-06



Check Valve

Parameters

PN: 4.0MPa

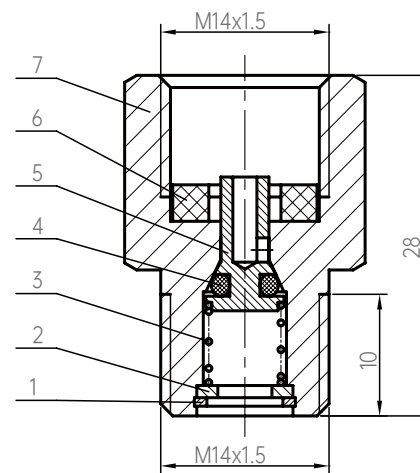
DN: Ø6

Design Temp.: -40°C ~+85°C

Media: NG, O₂, N₂, Ar, CO₂

Materials

1	Circlip	S30408
2	Gasket	HPb59-1
3	Spring	S30210
4	O Ring	HNBR
5	Valve Trim	HPb59-1
6	Gasket	PTFE
7	Shell	HPb59-1



Model No.: BZ-06A

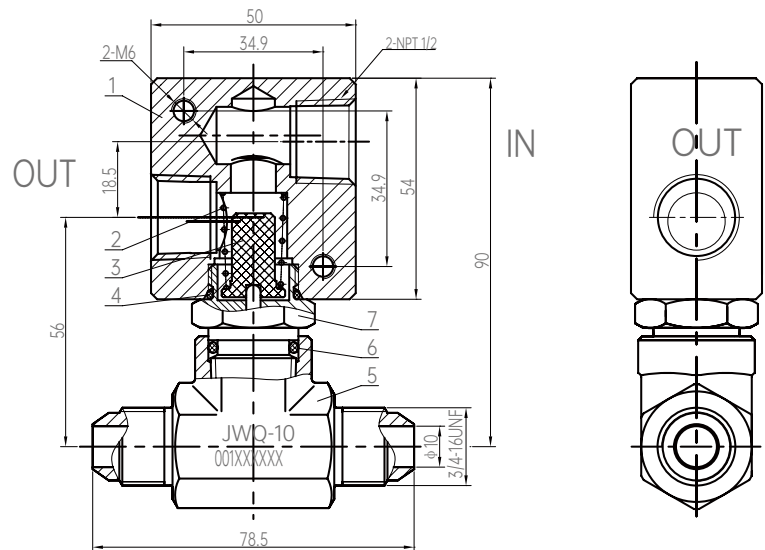
Thermostat(180°)

Parameters

PN: 2.5MPa (LNG Valve) 、
1.5MPa (Coolant Valve)
DN: Ø10
Design Temp.: -40°C ~+125°C
Media: LNG, LO₂, LN₂, LAr, CO₂

Materials

1	Coolant Valve Body	6082-T6
2	Spring	S30210
3	Piston	POM
4	O Ring	FKM 70A
5	LNG Body	HPb59-1
6	O Ring	FKM 70A
7	Temperature Sensor	HPb59-1



Model No.: JWQ10.001

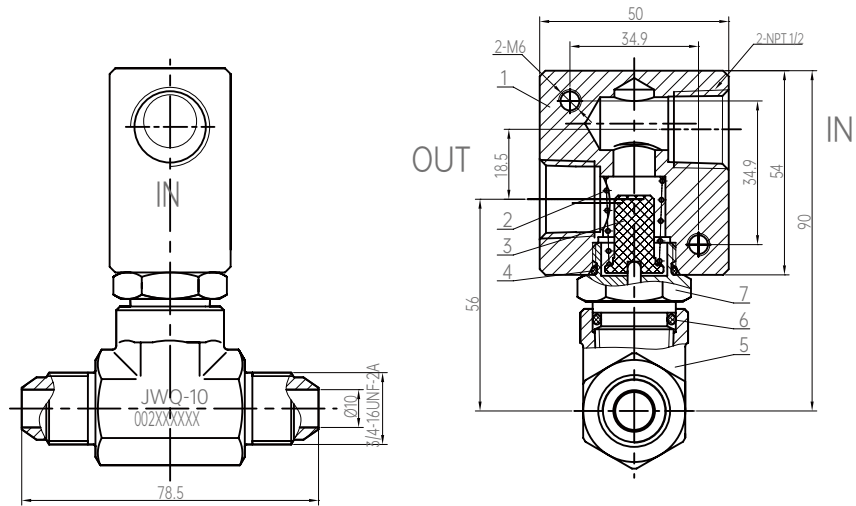
Part	LNG End	Vehicle Coolant End
PN	2.5MPa	1.5MPa
DN	Ø10mm	Ø11mm
Design Temp	-40° C ~ +125° C	
Media	CNG	Vehicle Coolant
Engine Coolant Flow at Temp. of LNG<40°C		≥30L/Min
Engline Coolant Flow at Temp.of LNG>50°C		5.3±10%/Min
Material of Valve Body	HPb59-1	Aluminum Alloy



Thermostat(90°)

Parameters

PN: 2.5MPa (LNG Valve)
1.5MPa (Coolant Valve)
DN: Ø10
Design Temp.: -40°C ~+125°C
Media: LNG, LO₂, LN₂, LAr, CO₂



Model No.: JWQ10.002

Materials

1	Coolant Valve Body	6082-T6	5	LNG Body	HPb59-1
2	Spring	S30210	6	O Ring	FKM 70A
3	Piston	POM	7	Temperature Sensor Assembly	HPb59-1
4	O Ring	FKM 70A			

Part	LNG End	Vehicle Coolant End
PN	2.5MPa	1.5MPa
DN	Ø10mm	Ø11mm
Design Temp	-40° C ~ +125° C	
Media	CNG	Vehicle Coolant
Engine Coolant Flow at Temp. of LNG<40°C		≥30L/Min
Engline Coolant Flow at Temp.of LNG>50°C		5.3±10%/Min
Material of Valve Body	HPb59-1	Aluminum Alloy



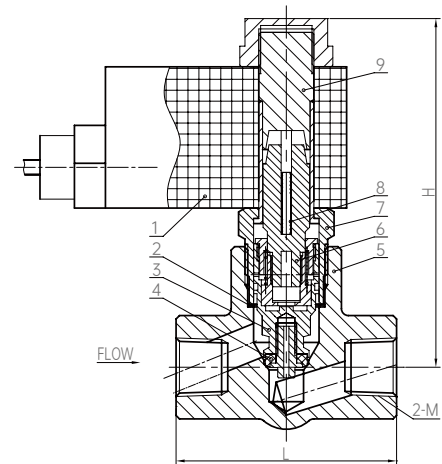
Cryogenic Solenoid Valve

Parameters

PN: 4.0MPa
DN: Ø10
Design Temp.: -196°C ~+85°C
Media: LNG, LO₂, LN₂, LAr, CO₂



This kind of product has certified by TS
Standards: GB/T 25925



Materials

1	Coil		6	Moving Core	JL-31B
2	Gasket	T2	7	Gland Nut	S30408
3	Disc	JL-31B	8	Spring	S30210
4	Gasket	PTFE	9	Static Core	JL-31B
5	Body	HPb59-1			

Mode of Action	Piloted Type	Opening Pressure Difference	0~3.5MPa
Control Mode	Normally Closed	DN	Ø10mm
Operation Mode	2-position 2-way	Design Temp	-196°C ~ +85°C
Operation Voltage	DC 18V~DC 32V	Media	LNG
Insulation Resistance	≥10MΩ	Material of Valve Body	HPb59-1
Lifetime	≥50,000 times	Material of Valve Disc	HPb59-1
Protection Level	IP65	Material of Spring	S30210
Power of Coil	18W	Material of Sealing	PTFE

Model No.	Specifications & Dimensions (mm)			
	H	L	D0	M
DDC-10B.001	101	63.5	Ø10	NPT 3/8
DDC-10B.002	101	63.5	Ø10	NPT 3/8
DDC-10B.005				



Four-way Joint

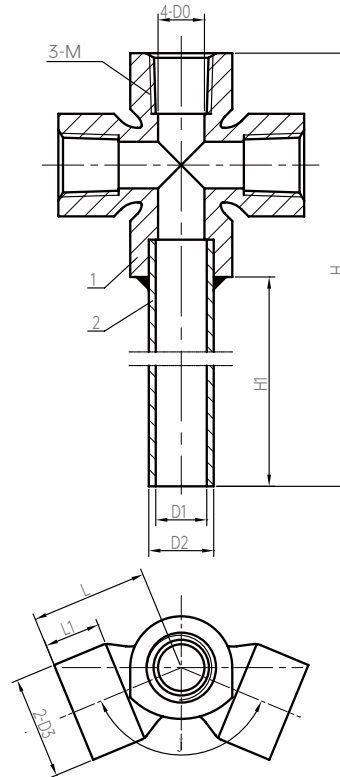
The four-way joint is mainly used for Dewar bottles of various low temperature media.

Parameters

PN: 4.0MPa
DN: Ø10
Design Temp.: -196°C ~+85°C
Media: LNG, LO₂, LN₂, LAr, CO₂

Materials

- 1 Body HPb9-1
- 2 Pipe S30408



Model No.	Specifications & Dimensions (mm)										Weight(kg)
	H	H1	D0	D1	D2	D3	L	L1	M	J	
ST-10	125	77	Ø10	Ø10	Ø13.5	Ø22	25	12	NPT1/4	135	0.21
ST-10B	95	57	Ø10	Ø10	Ø14	Ø22	19	7	NPT1/4	160	0.21
ST-10B2	162	124	Ø10	Ø10	Ø14	Ø22	19	7	NPT1/4	160	0.22
ST-10B3	142	104	Ø10	Ø10	Ø14	Ø22	19	7	NPT1/4	160	0.21
ST-10C	105	57	Ø10	Ø10	Ø13.5	Ø22	25	12	NPT1/4	135	0.21
ST-10C1	118	70	Ø10	Ø10	Ø13.5	Ø22	25	12	NPT1/4	135	0.22
ST-10D	122	74	Ø10	Ø10	Ø14	Ø22	25	12	NPT1/4	135	0.21

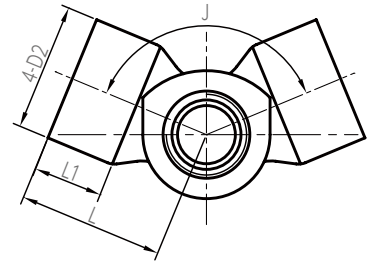
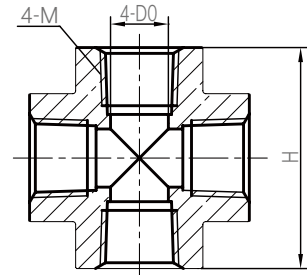


Four-way Joint

The four-way joint is mainly used for Dewar bottles of various low temperature media.

Parameters

PN: 4.0MPa
DN: Ø10
Design Temp.: -196°C ~+85°C
Media: LNG, LO₂, LN₂, LAr, CO₂



Materials

1 Body HPb9-1

Model No.	Specifications & Dimensions (mm)							Weight(kg)
	H	D0	D1	L	L1	M	J	
ST-10A	48	Ø10	Ø22	25	12	NPT1/4	135	0.21



Shanghai Baitu
Cryogenic Valve.co.,Ltd.

Cryogenic Valve Solutions
Worth Your Trust



Add: Building 5, No.428, Changhong Road, Baoshan District, Shanghai, China

E-mail: sales@baituvalves.com

Website: www.baituvalves.com